



US00D793296S

(12) **United States Design Patent** (10) **Patent No.:** **US D793,296 S**  
**Smith et al.** (45) **Date of Patent:** **\*\* Aug. 1, 2017**

(54) **VEHICLE FRONT BUMPER**  
(71) Applicant: **GM GLOBAL TECHNOLOGY OPERATIONS LLC**, Detroit, MI (US)  
(72) Inventors: **Brian J. Smith**, Farmington Hills, MI (US); **Robin Krieg**, Bloomfield Hills, MI (US)  
(73) Assignee: **GM Global Technology Operations LLC**, Detroit, MI (US)  
(\*\*) Term: **15 Years**  
(21) Appl. No.: **29/550,684**  
(22) Filed: **Jan. 6, 2016**  
(51) **LOC (10) Cl.** ..... **12-16**  
(52) **U.S. Cl.**  
USPC ..... **D12/169**  
(58) **Field of Classification Search**  
USPC .... D12/169, 216, 90-92, 86, 171, 196, 163;  
293/102, 113, 115, 117, 120; 296/180.1,  
296/180.2  
CPC ..... B60R 19/02; B60R 19/04; B62D 25/08  
See application file for complete search history.

D608,690 S 1/2010 Folden et al.  
D608,691 S 1/2010 Zak, Jr. et al.  
D609,608 S 2/2010 Boniface et al.  
D611,387 S 3/2010 Thompson et al.  
D611,879 S 3/2010 Kim et al.  
D612,297 S 3/2010 Peters et al.  
D613,645 S 4/2010 Song et al.  
D615,458 S 5/2010 Thompson et al.  
D618,595 S 6/2010 Ware et al.  
D623,090 S 9/2010 Cox et al.  
D627,262 S 11/2010 Ikeda et al.  
D635,488 S 4/2011 Phipps  
D644,147 S 8/2011 Suh et al.  
D644,567 S 9/2011 Kozub  
D657,718 S 4/2012 Zipfel et al.  
D659,052 S 5/2012 Ware et al.  
D659,053 S 5/2012 Ware et al.  
D668,182 S 10/2012 Barba Franco et al.  
D668,183 S 10/2012 Smart  
D678,820 S 3/2013 Son et al.  
D678,821 S 3/2013 Ikeda et al.

(Continued)

*Primary Examiner* — Melody N Brown  
(74) *Attorney, Agent, or Firm* — Reising Ethington P.C.

(57) **CLAIM**

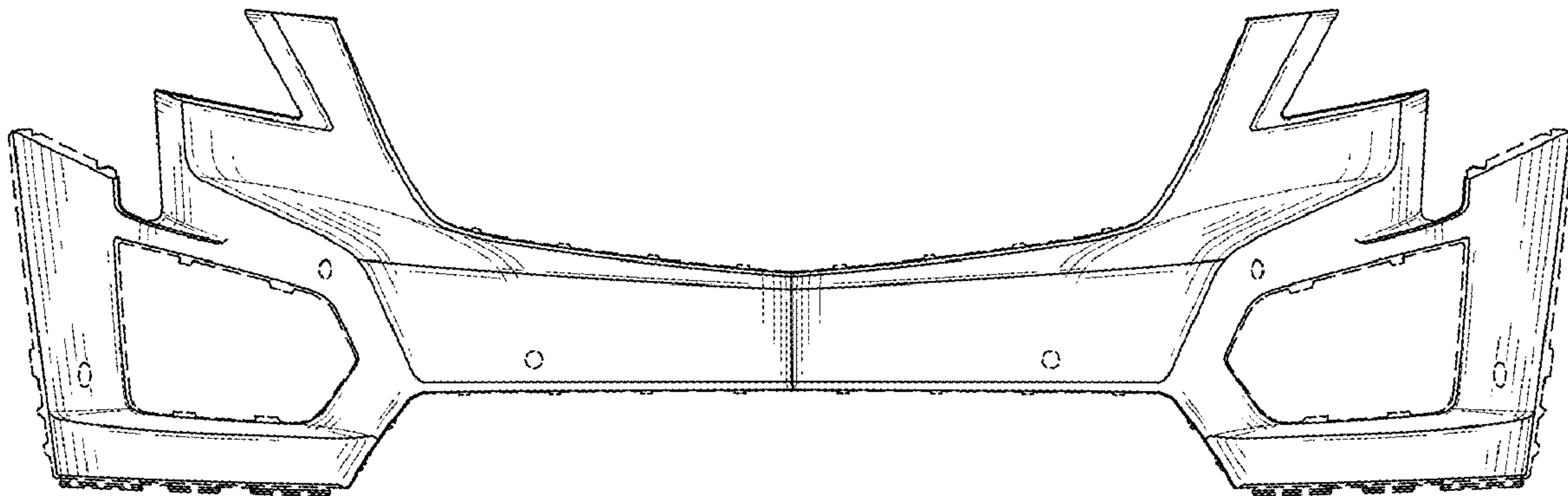
The ornamental design for a vehicle front bumper, as shown and described.

**DESCRIPTION**

FIG. 1 is a perspective view of the vehicle front bumper; FIG. 2 is a front view thereof; FIG. 3 is a left side elevation view thereof, the right side is a mirror image thereof; and, FIG. 4 is a left side elevation view thereof (where the right side elevation view is omitted since the right side elevation view is identical to the left side elevation view). The broken lines shown in the drawings depict portions of the vehicle front bumper that form no part of the claimed design.

**1 Claim, 2 Drawing Sheets**

(56) **References Cited**  
U.S. PATENT DOCUMENTS  
D570,742 S 6/2008 Takagi et al.  
D592,105 S 5/2009 Dean et al.  
D597,447 S 8/2009 Folden  
D600,595 S 9/2009 Nakamura et al.  
D601,925 S 10/2009 O'Donnell  
D603,755 S 11/2009 Peters  
D604,203 S 11/2009 O'Donnell  
D605,082 S 12/2009 Munson  
D605,083 S 12/2009 Manoogian, II et al.  
D605,977 S 12/2009 Zipfel et al.  
D605,978 S 12/2009 Wolff et al.  
D608,249 S 1/2010 Peters



(56)

References Cited

U.S. PATENT DOCUMENTS

D680,909 S	4/2013	Munson et al.	D730,776 S	6/2015	Smart
D680,910 S	4/2013	David	D730,783 S	6/2015	Henriques et al.
D684,899 S	6/2013	Baker	D732,427 S	6/2015	Loeb
D686,536 S	7/2013	McCabe et al.	D732,429 S	6/2015	Loeb
D692,798 S	11/2013	Thurber	D732,430 S	6/2015	Loeb
D692,799 S	11/2013	Smith et al.	D732,431 S	6/2015	Loeb
D696,157 S	12/2013	Loeb	D732,432 S	6/2015	Aengenheyster
D699,629 S	2/2014	Ikeda et al.	D732,433 S	6/2015	Aengenheyster
D700,871 S	3/2014	O'Donnell et al.	D732,435 S	6/2015	Mackay
D703,103 S	4/2014	Lee	D733,002 S	6/2015	Loeb
D704,103 S	5/2014	Mack et al.	D735,611 S	8/2015	Aengenheyster
D705,132 S	5/2014	Ware et al.	D735,627 S	8/2015	Smith
D705,699 S	5/2014	Ware et al.	D736,451 S	8/2015	Smith
D713,298 S	9/2014	Dyson	D739,306 S	9/2015	McMahan et al.
D713,764 S	9/2014	Ferlazzo et al.	D739,317 S	9/2015	McMahan et al.
D716,696 S	11/2014	Thole et al.	D740,186 S *	10/2015	Gunnarson ..... D12/169
D716,706 S	11/2014	Thole et al.	D741,223 S	10/2015	Kim et al.
D716,709 S	11/2014	Thole et al.	D743,309 S	11/2015	Thole et al.
D717,696 S	11/2014	Thole et al.	D743,313 S	11/2015	Smith et al.
D718,189 S	11/2014	Krieg et al.	D743,314 S	11/2015	Thole et al.
D718,683 S	12/2014	Thole et al.	D743,857 S	11/2015	McMahan et al.
D722,282 S	2/2015	Loeb	D744,158 S	11/2015	Willett et al.
D722,533 S	2/2015	Thole et al.	D745,086 S	12/2015	Finos et al.
D722,534 S	2/2015	Munson et al.	D745,719 S	12/2015	Boniface et al.
D724,510 S	3/2015	McMahan et al.	D745,725 S	12/2015	McMahan et al.
D725,001 S	3/2015	McMahan et al.	D745,726 S	12/2015	McMahan et al.
D726,591 S	4/2015	Jacob	D745,837 S	12/2015	Smith et al.
			D749,473 S *	2/2016	Lee ..... D12/169
			D775,010 S *	12/2016	Kim ..... D12/169

\* cited by examiner

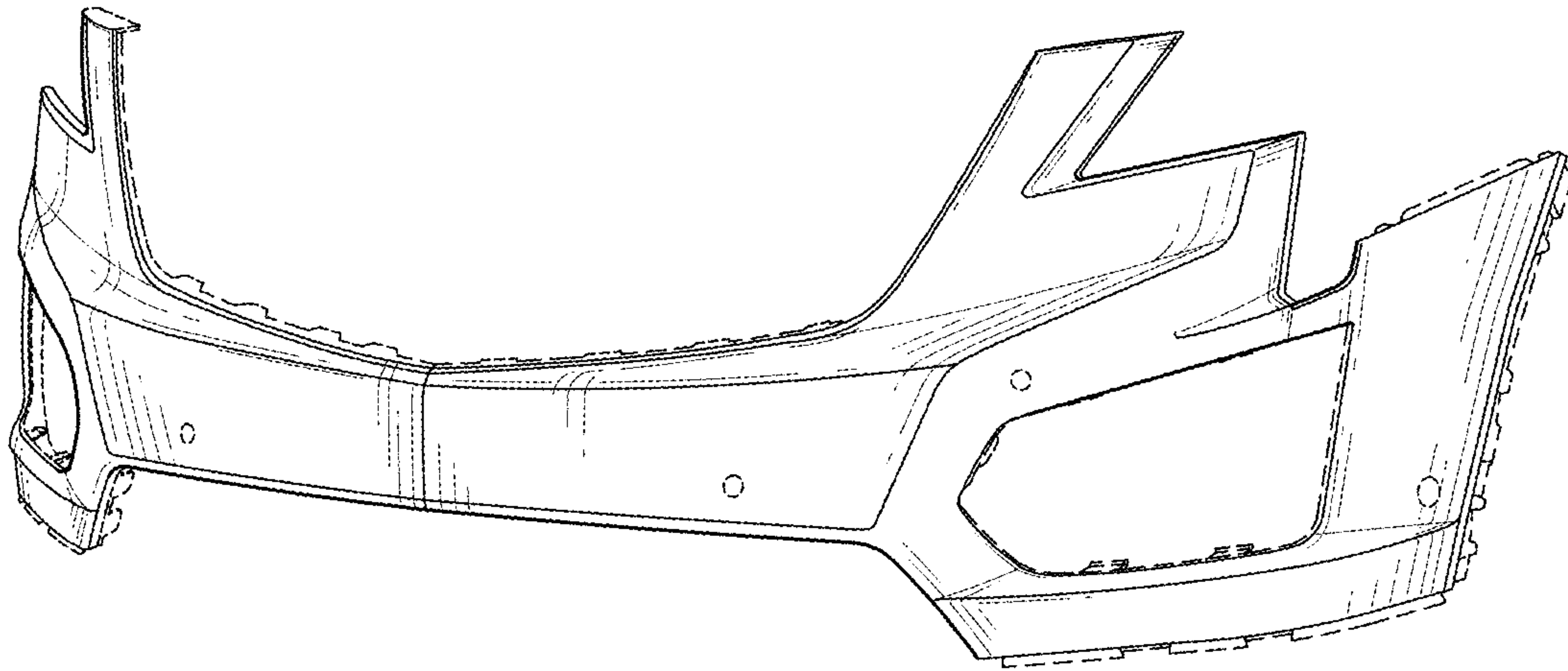


Fig. 1

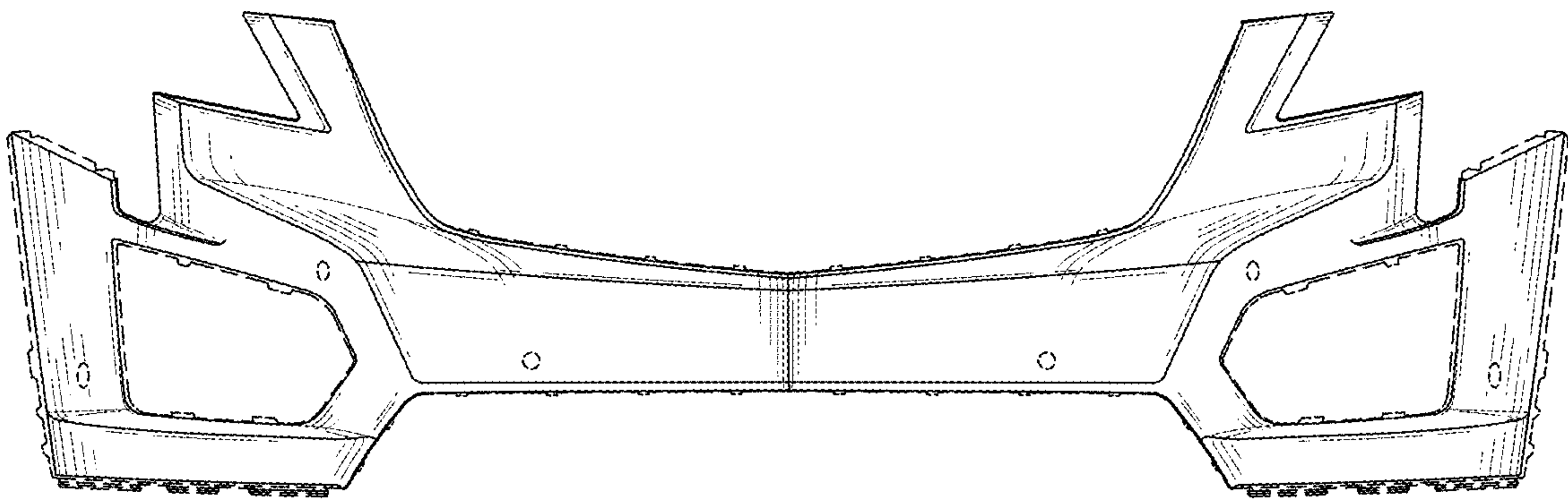


Fig. 2



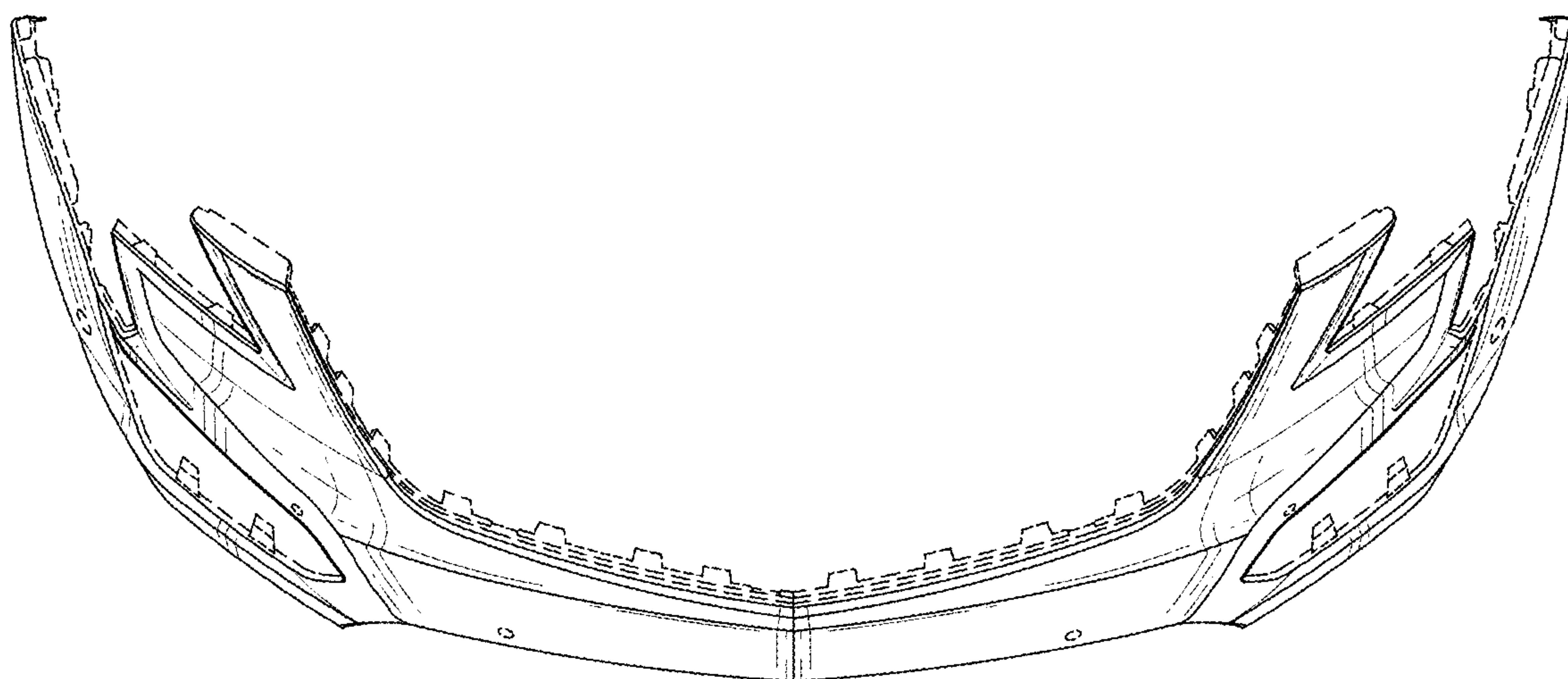


Fig. 3

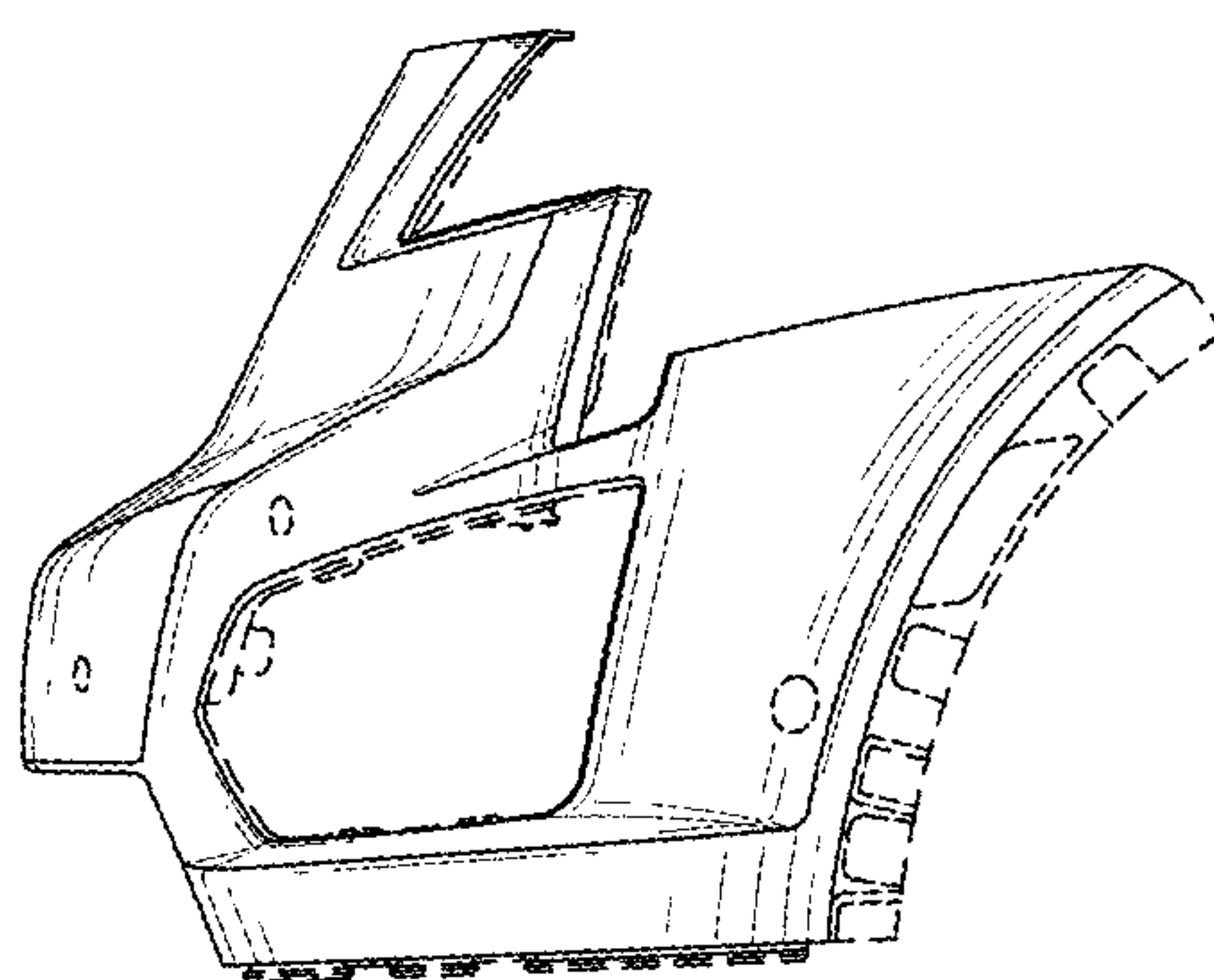


Fig. 4