



US00D793291S

(12) **United States Design Patent** (10) **Patent No.:** **US D793,291 S**  
**Rudwal et al.** (45) **Date of Patent:** **\*\* Aug. 1, 2017**

(54) **FRONT GRILLE OF A THREE-WHEELED VEHICLE**

6,921,117 B2 \* 7/2005 Rackham ..... B60R 19/52  
293/115  
D510,302 S \* 10/2005 Sugimoto ..... D12/163  
D536,186 S 2/2007 Crepeau et al.  
D557,646 S 12/2007 Portelance  
D580,836 S 11/2008 Longpre et al.  
D581,319 S 11/2008 Longpre et al.  
D581,320 S 11/2008 Longpre et al.  
D581,685 S 12/2008 Longpre et al.  
D581,846 S 12/2008 Longpre et al.  
D582,823 S 12/2008 Longpre et al.  
D584,998 S \* 1/2009 Lamm ..... D12/92  
D589,856 S \* 4/2009 Woolley ..... D12/169  
D593,455 S 6/2009 Longpre et al.

(71) Applicant: **BOMBARDIER RECREATIONAL PRODUCTS INC.**, Valcourt (CA)

(72) Inventors: **Christopher Rudwal**, Paris (FR); **Jean-Philippe Crepeau**, Bromont (CA); **Damien Basset**, St-Remy-de-Provence (FR); **Maxime Dumont**, Montreal (CA); **Ghyslain Beland**, Granby (CA)

(73) Assignee: **BOMBARDIER RECREATIONAL PRODUCTS INC.**, Valcourt (CA)

(\*\*) Term: **15 Years**

(21) Appl. No.: **29/586,949**

(22) Filed: **Dec. 8, 2016**

**Related U.S. Application Data**

(62) Division of application No. 29/536,636, filed on Aug. 18, 2015.

(51) **LOC (10) Cl.** ..... **12-16**

(52) **U.S. Cl.**  
USPC ..... **D12/163; D12/107**

(58) **Field of Classification Search**  
USPC ..... D12/86, 90, 91, 92, 107, 163, 169, 196, D12/171, 216; D15/31  
CPC . B60R 19/52; B60R 2019/525; B60K 11/085; B62D 25/084; H01Q 1/32  
See application file for complete search history.

(56) **References Cited**

**U.S. PATENT DOCUMENTS**

D471,846 S \* 3/2003 Pfeiffer ..... D12/163  
D485,788 S \* 1/2004 Guay ..... D12/107

*Primary Examiner* — Darlington Ly  
(74) *Attorney, Agent, or Firm* — BCF LLP

(57) **CLAIM**

The ornamental design for a front grille of a three-wheeled vehicle, as shown and described.

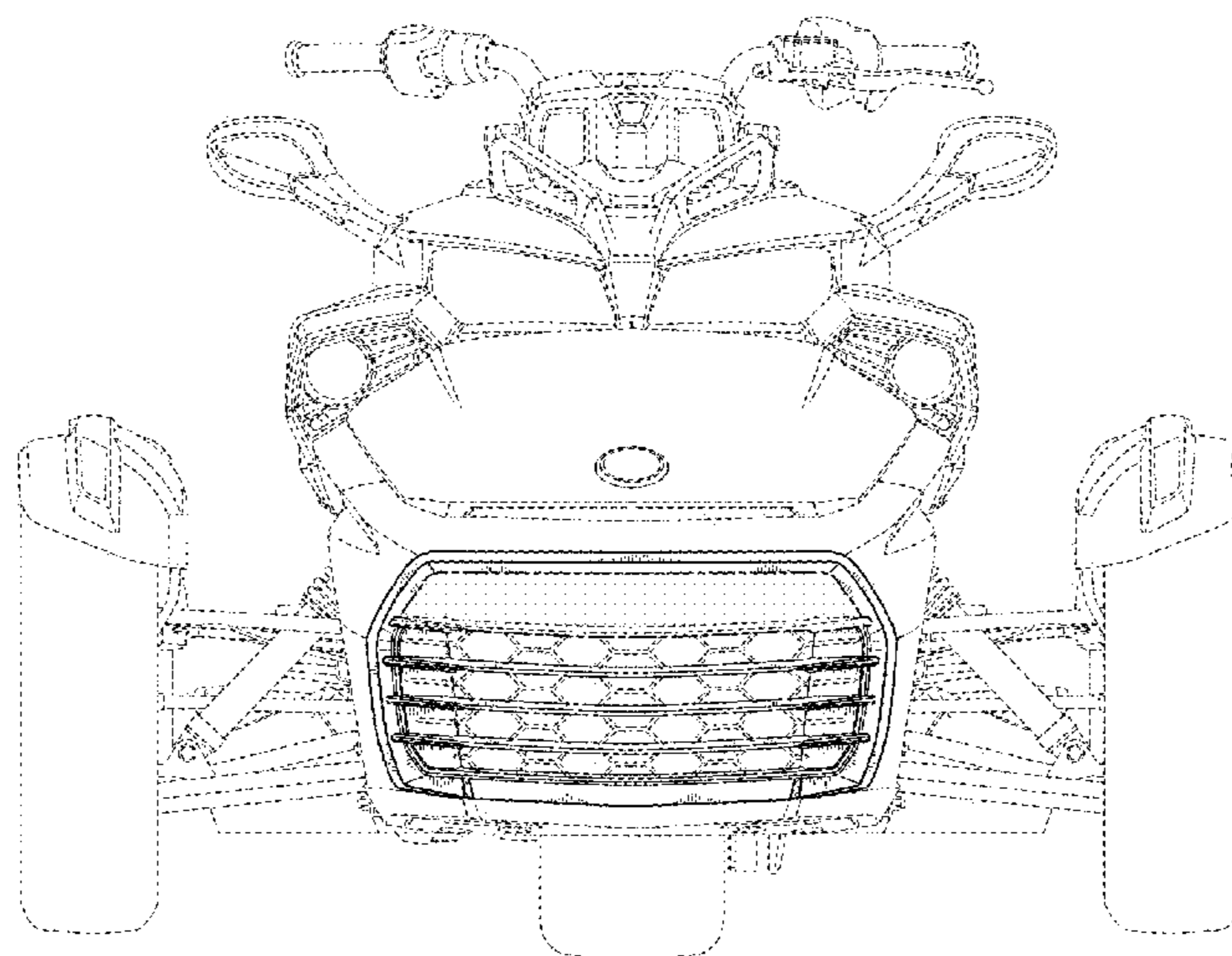
**DESCRIPTION**

The patent or application file contains at least one drawing executed in color. Copies of this patent or patent application publication with color drawing(s) will be provided by the Office upon request and payment of the necessary fee.

FIG. 1 is a top, front, and left side perspective view of a front grille of a three-wheeled vehicle showing our new design; FIG. 2 is a left side elevation view thereof; FIG. 3 is a front elevation view thereof; FIG. 4 is a right side elevation view thereof; and, FIG. 5 is a bottom plan view thereof.

The even broken lines in the drawings illustrate an environmental structure of a three-wheeled vehicle and portions of its front grille that form no part of the claimed design. Additionally, the dot-dash broken lines indicate boundaries of the claimed design.

**1 Claim, 5 Drawing Sheets**  
**(5 of 5 Drawing Sheet(s) Filed in Color)**



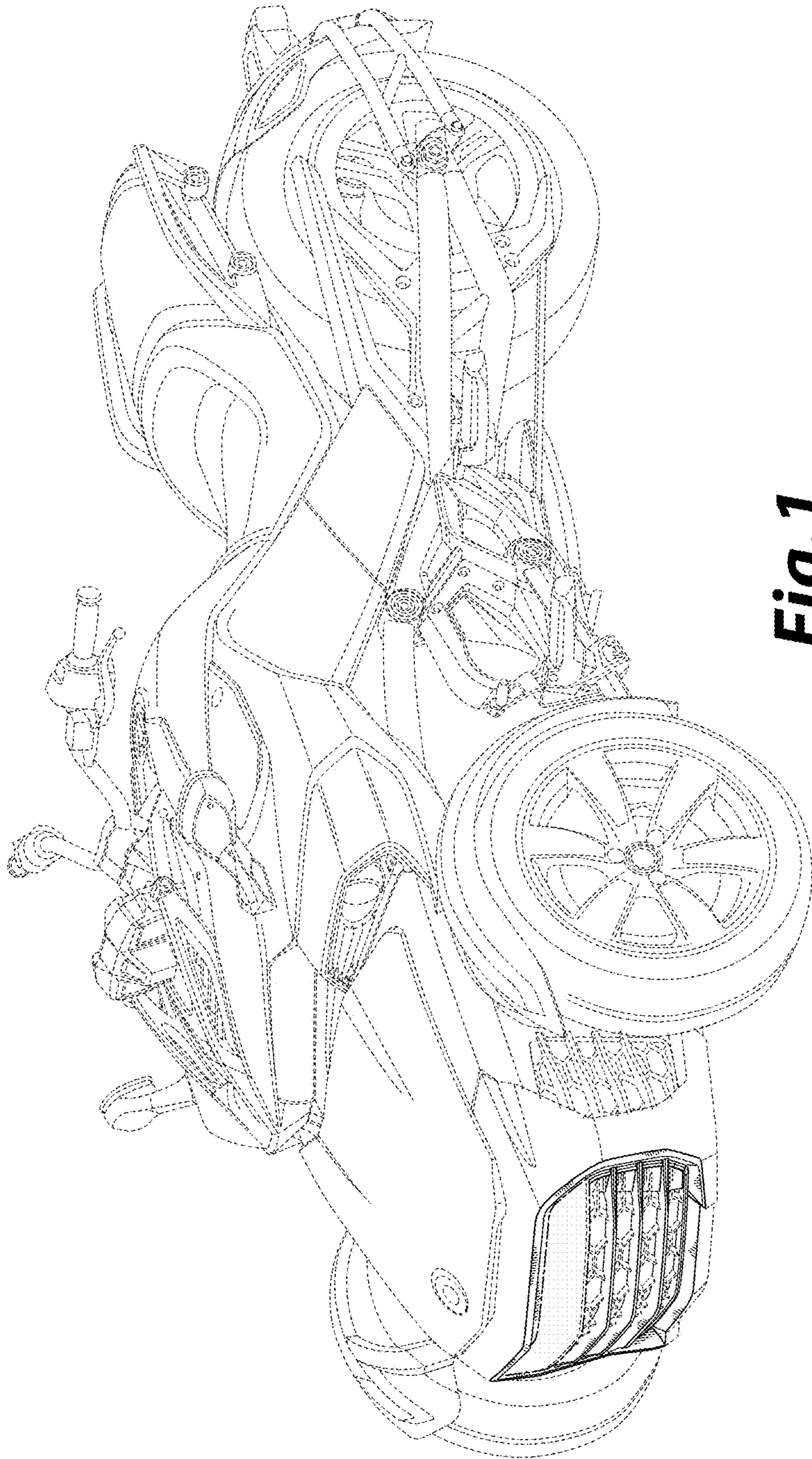
(56)

## References Cited

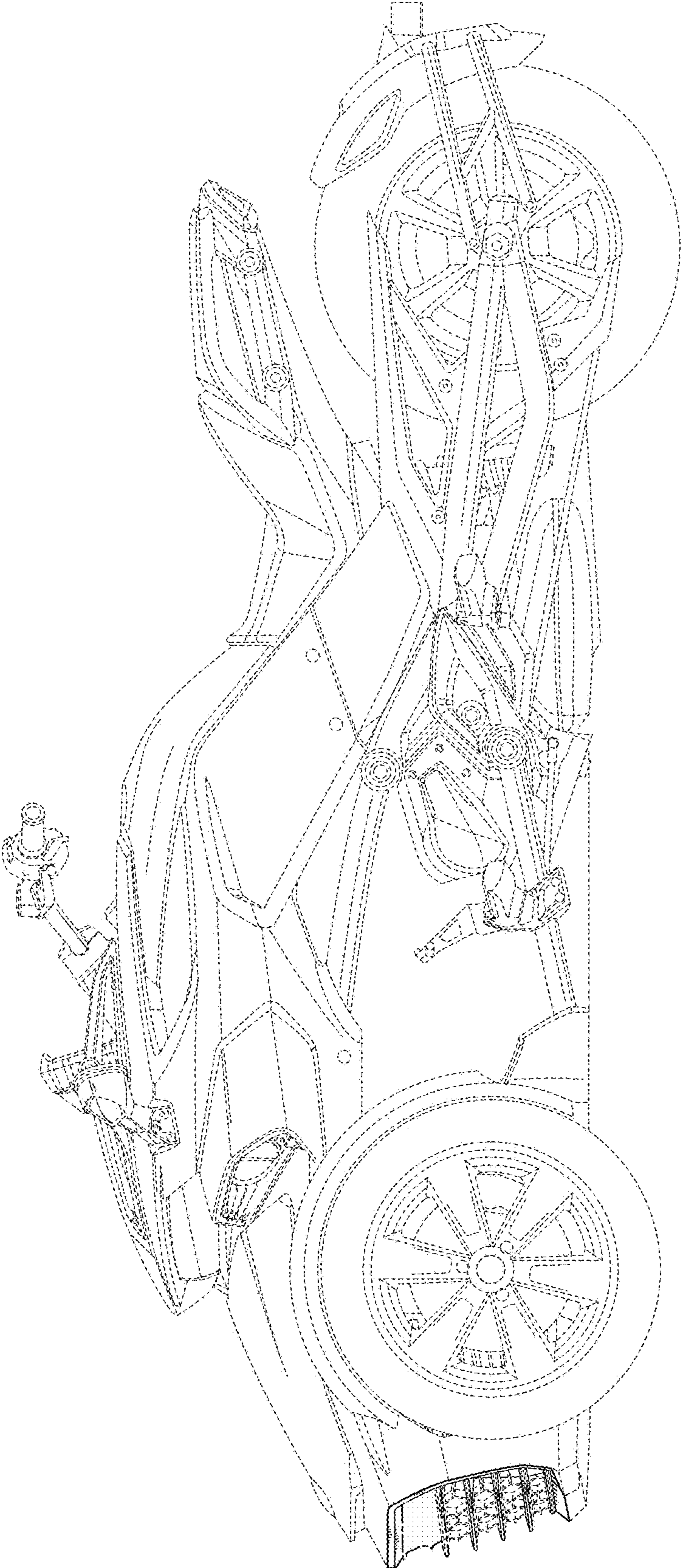
## U.S. PATENT DOCUMENTS

D593,908 S \* 6/2009 Longpre ..... D12/107  
D593,912 S 6/2009 Longpre et al.  
D596,081 S 7/2009 Longpre et al.  
D598,328 S \* 8/2009 Lambri ..... B62K 5/05  
D12/110  
D603,304 S \* 11/2009 Lamm ..... D12/163  
D603,775 S 11/2009 Longpre et al.  
D611,391 S 3/2010 Bourgeois  
D626,900 S 11/2010 Guay et al.  
D627,263 S \* 11/2010 Guay ..... D12/110  
D627,269 S 11/2010 Deluy et al.  
D627,282 S 11/2010 Deluy et al.  
D628,129 S 11/2010 Longpre et al.  
D629,724 S 12/2010 Guay et al.  
D629,726 S 12/2010 Guay et al.  
D631,803 S 2/2011 Guay et al.  
D656,435 S \* 3/2012 Lambri ..... B62K 5/027  
D12/110  
8,348,312 B2 \* 1/2013 Bailey ..... B60K 11/08  
180/68.6  
D678,140 S \* 3/2013 Hamilton ..... D12/169  
D698,705 S \* 2/2014 Rugar ..... D12/163  
D702,166 S 4/2014 Deluy et al.  
D726,079 S \* 4/2015 Reichman ..... D12/163  
D774,995 S \* 12/2016 Holgate ..... D12/163  
D777,070 S \* 1/2017 Nurnberger ..... D12/181  
D778,790 S \* 2/2017 Nurnberger ..... D12/163

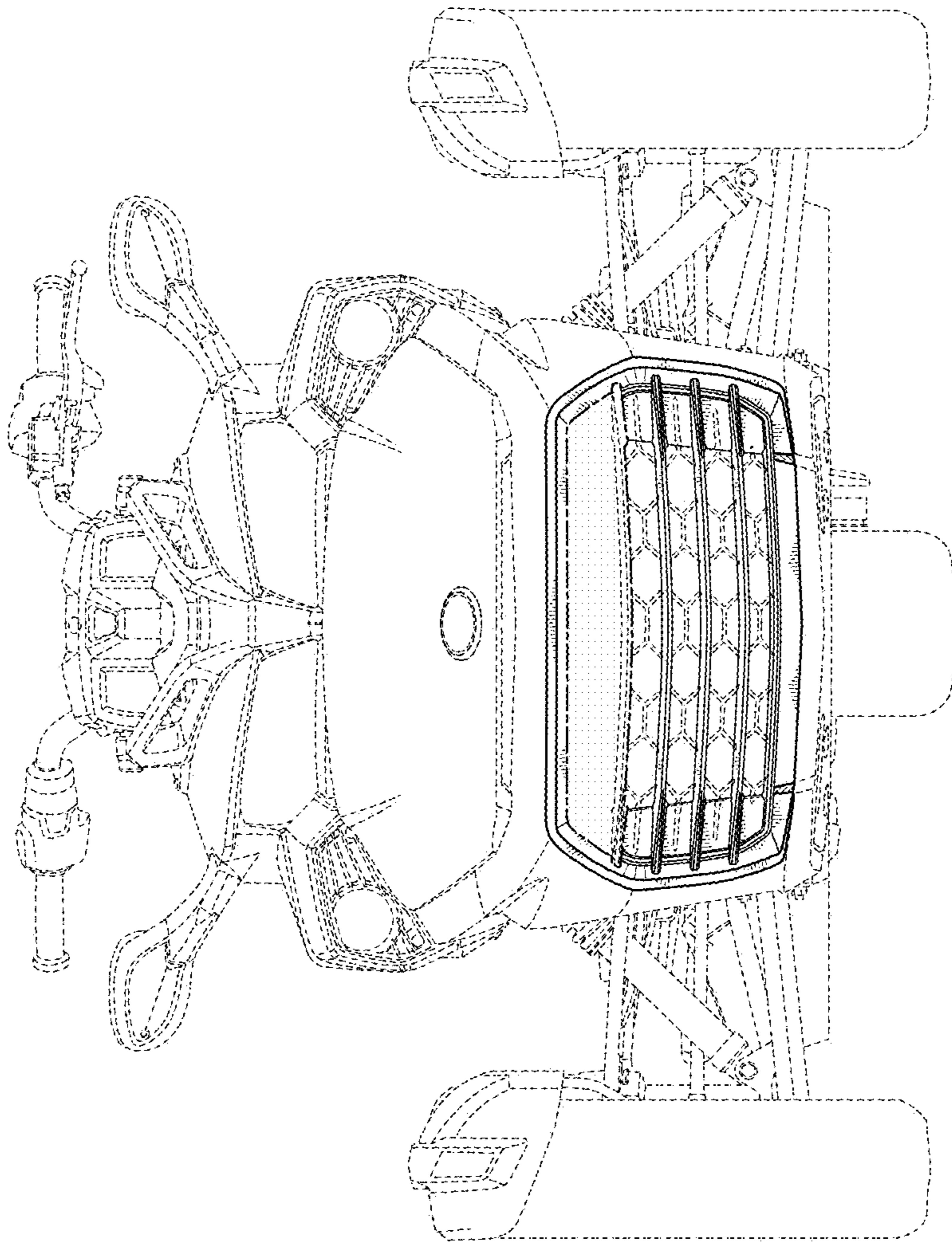
\* cited by examiner



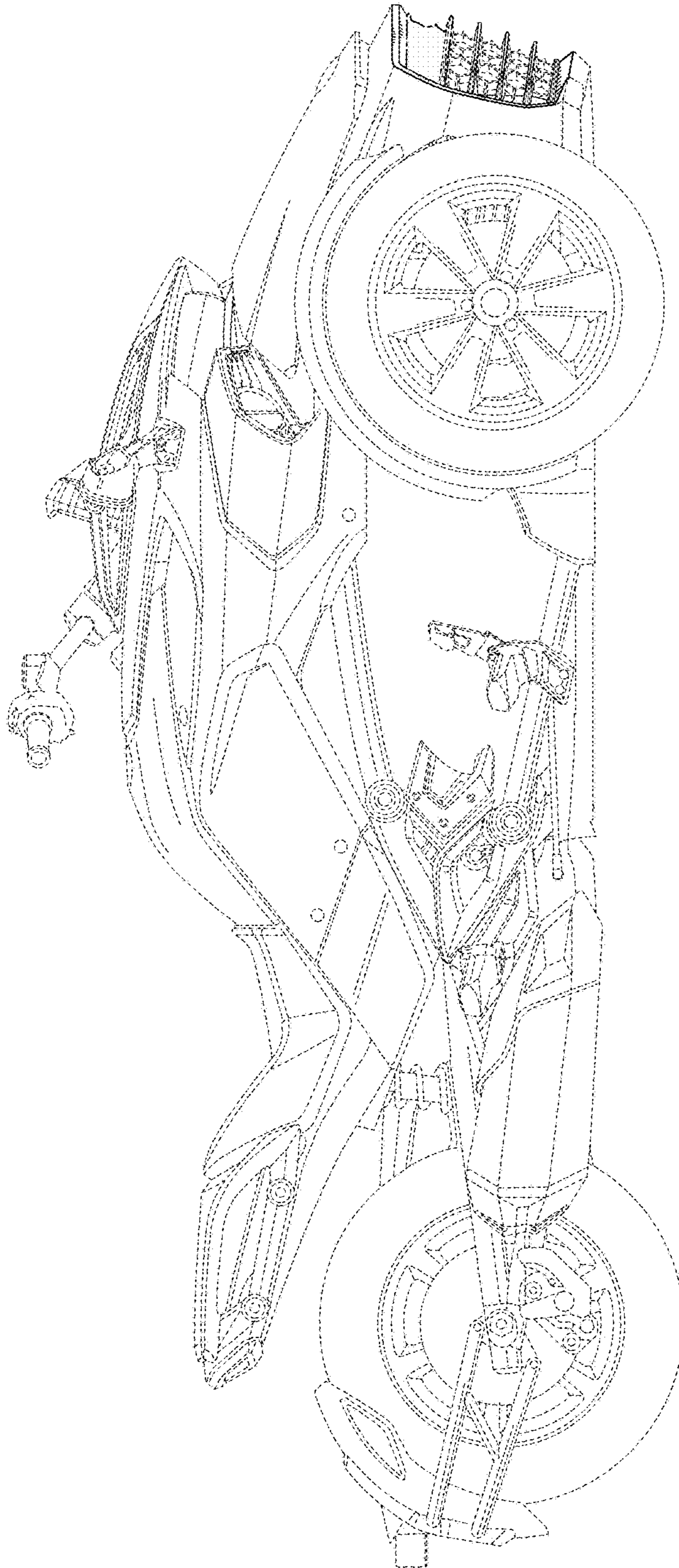
**Fig. 1**



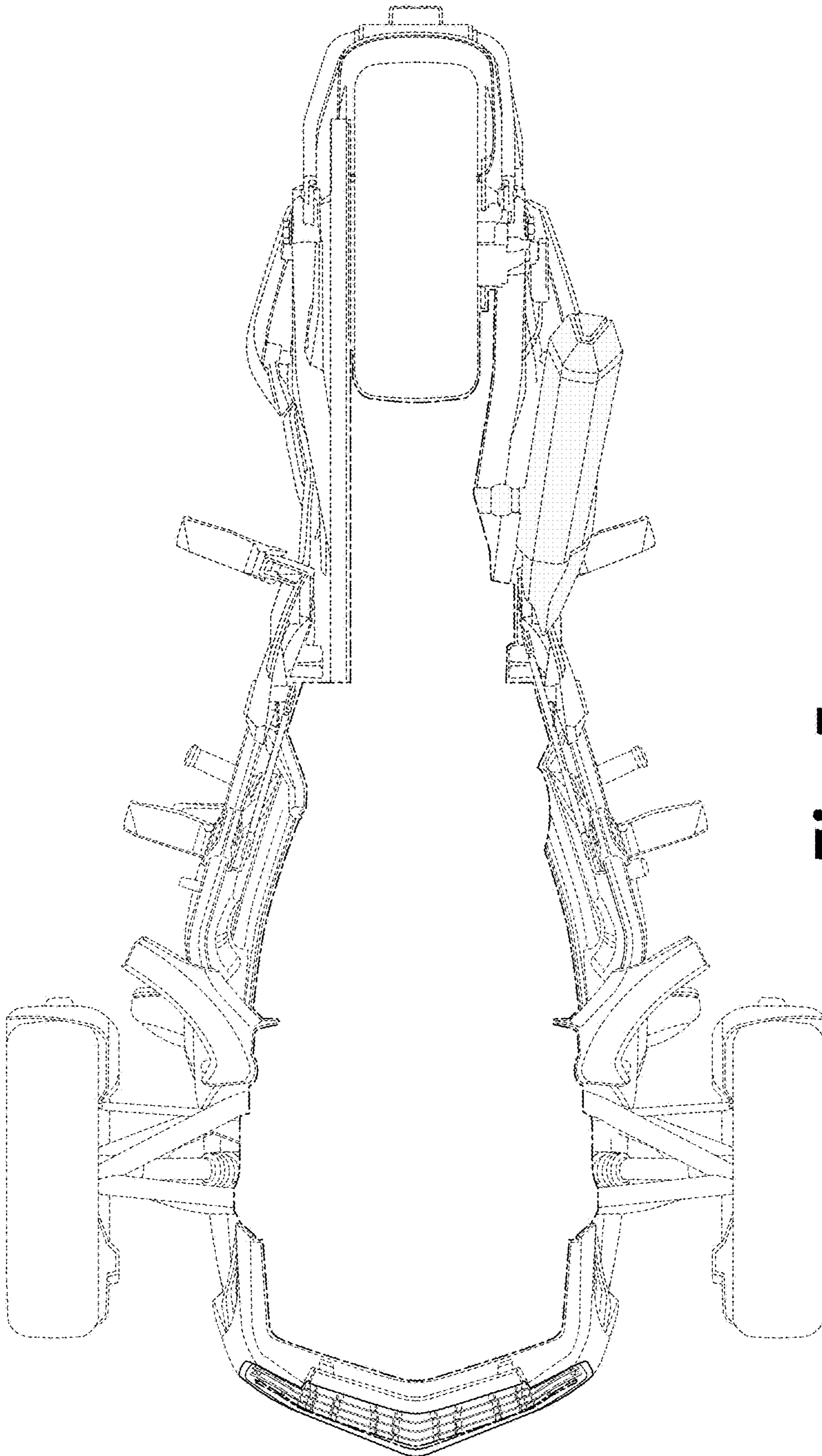
**Fig. 2**



**Fig. 3**



**Fig.4**



**Fig. 5**