



US00D793289S

(12) **United States Design Patent**  
**Jahkel**

(10) **Patent No.:** **US D793,289 S**

(45) **Date of Patent:** **\*\* Aug. 1, 2017**

(54) **WHEELCHAIR FRAME**

(71) Applicant: **PERMOBIL AB**, Timra (SE)

(72) Inventor: **Jonas Jahkel**, Stockholm (SE)

(73) Assignee: **Permobil AB**, Timra (SE)

(\*\*) Term: **14 Years**

(21) Appl. No.: **29/520,635**

(22) Filed: **Mar. 17, 2015**

(30) **Foreign Application Priority Data**

Sep. 19, 2014 (EM) ..... 002541375-0001  
Sep. 19, 2014 (EM) ..... 002541375-0002

(51) **LOC (10) Cl.** ..... **12-12**

(52) **U.S. Cl.**  
USPC ..... **D12/131; D12/128**

(58) **Field of Classification Search**  
USPC ..... D12/128–133  
CPC ..... A61G 5/00–5/14; A61G 5/04; A61G  
5/041–5/047; A61G 2005/048  
See application file for complete search history.

(56) **References Cited**

U.S. PATENT DOCUMENTS

D491,494 S *	6/2004	Lippert	.....	D12/128
6,938,923 B2 *	9/2005	Mulhern	.....	G06F 9/383
				180/65.1
D536,283 S *	2/2007	Cartellone	.....	D12/131
D569,769 S *	5/2008	Chiu	.....	D12/131
D585,794 S *	2/2009	Lin	.....	D12/131
D590,304 S *	4/2009	Kruse	.....	D12/131
D604,208 S *	11/2009	Perk	.....	D12/131
D621,307 S *	8/2010	Kagi	.....	D12/131
D627,270 S *	11/2010	Kretschmer	.....	D12/131
D632,229 S *	2/2011	Kruse	.....	D12/131
D652,357 S *	1/2012	Jurkiewicz	.....	D12/128

D653,176 S *	1/2012	Jurkiewicz	.....	D12/131
D656,070 S *	3/2012	Spalding	.....	D12/131
D673,083 S *	12/2012	Daff	.....	D12/133
D689,413 S *	9/2013	Mohan	.....	D12/133
8,616,309 B2 *	12/2013	Art	.....	A61G 5/042
				180/65.1
8,727,048 B2 *	5/2014	Jurkiewicz	.....	A61G 5/045
				180/65.1
8,919,797 B2 *	12/2014	Lowenthal	.....	A61G 5/1043
				280/250.1
D745,441 S *	12/2015	Ohruh	.....	D12/131
D745,443 S *	12/2015	Van Olst	.....	D12/133

(Continued)

*Primary Examiner* — Charles Hanson

(74) *Attorney, Agent, or Firm* — Sughrue Mion, PLLC

(57) **CLAIM**

The ornamental design for a wheelchair frame, as shown and described.

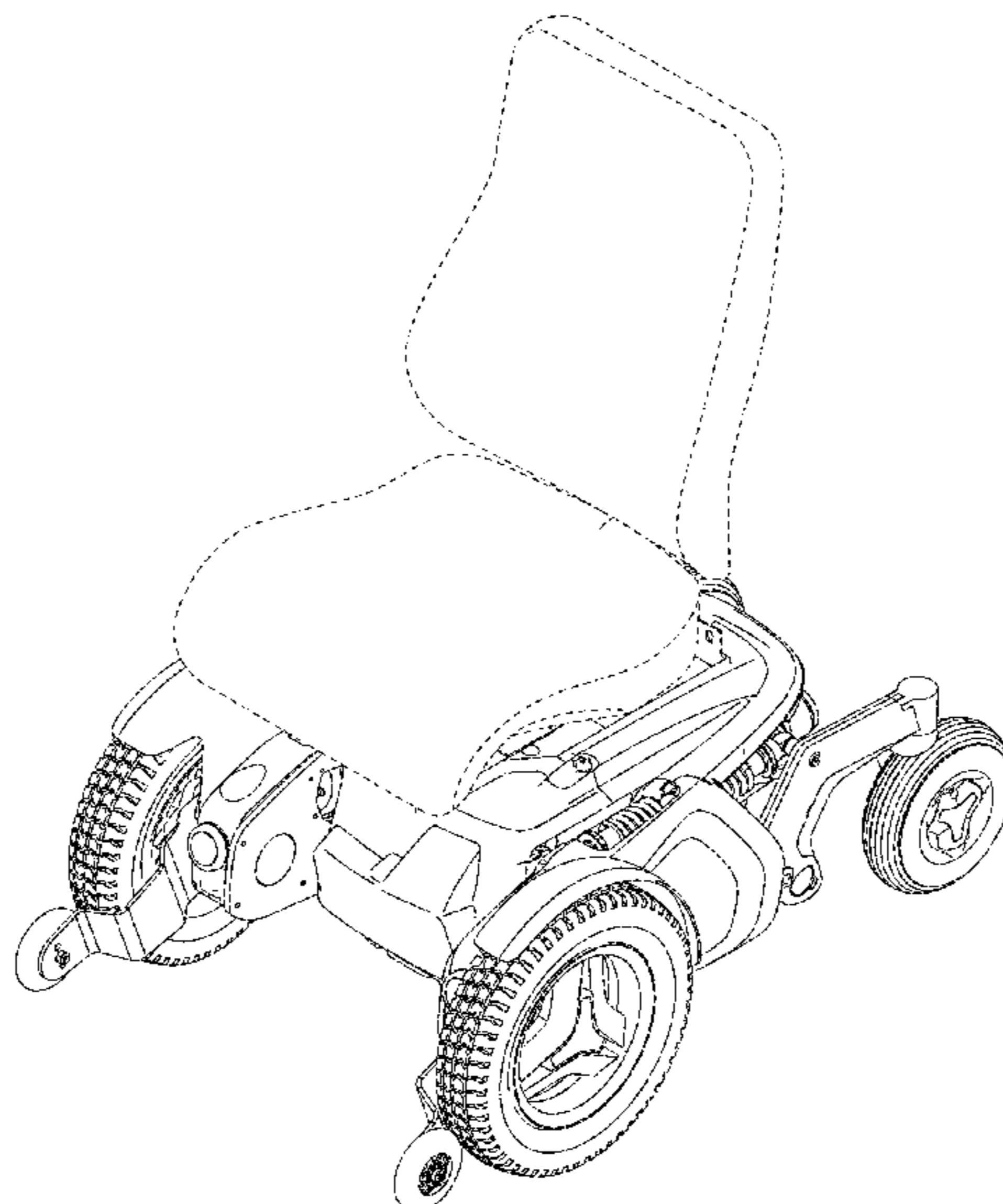
**DESCRIPTION**

FIG. 1 is a front view of the wheelchair frame according to a first embodiment of my design;  
 FIG. 2 is a rear view thereof;  
 FIG. 3 is a left side view thereof, the right side being a mirror image of the left side;  
 FIG. 4 is a front view of the wheelchair frame according to a second embodiment of my design;  
 FIG. 5 is a rear view thereof;  
 FIG. 6 is a left side view thereof, the right side being a mirror image of the left side;  
 FIG. 7 is a front perspective view thereof; and,  
 FIG. 8 is a rear perspective view thereof.

The broken line showing of the seat and portions of the wheelchair frame is included for the purpose of illustrating environment and forms no part of the claimed design.

The first and second embodiments are identical except that the second embodiment has the additional small wheels in front.

**1 Claim, 8 Drawing Sheets**



(56)

**References Cited**

U.S. PATENT DOCUMENTS

2008/0087481 A1\* 4/2008 Grymko ..... A61G 5/042  
180/68.5

\* cited by examiner

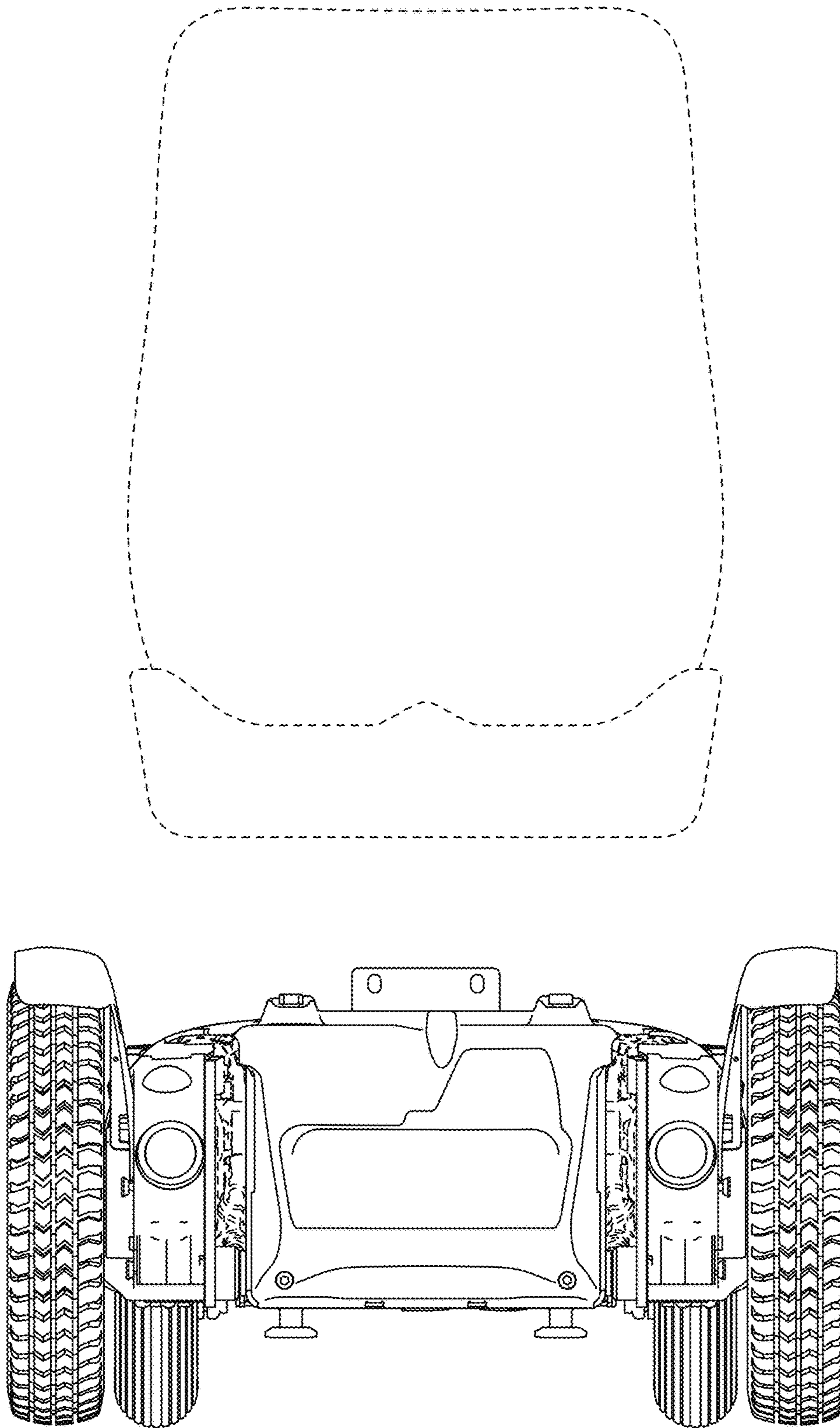


FIG. 1

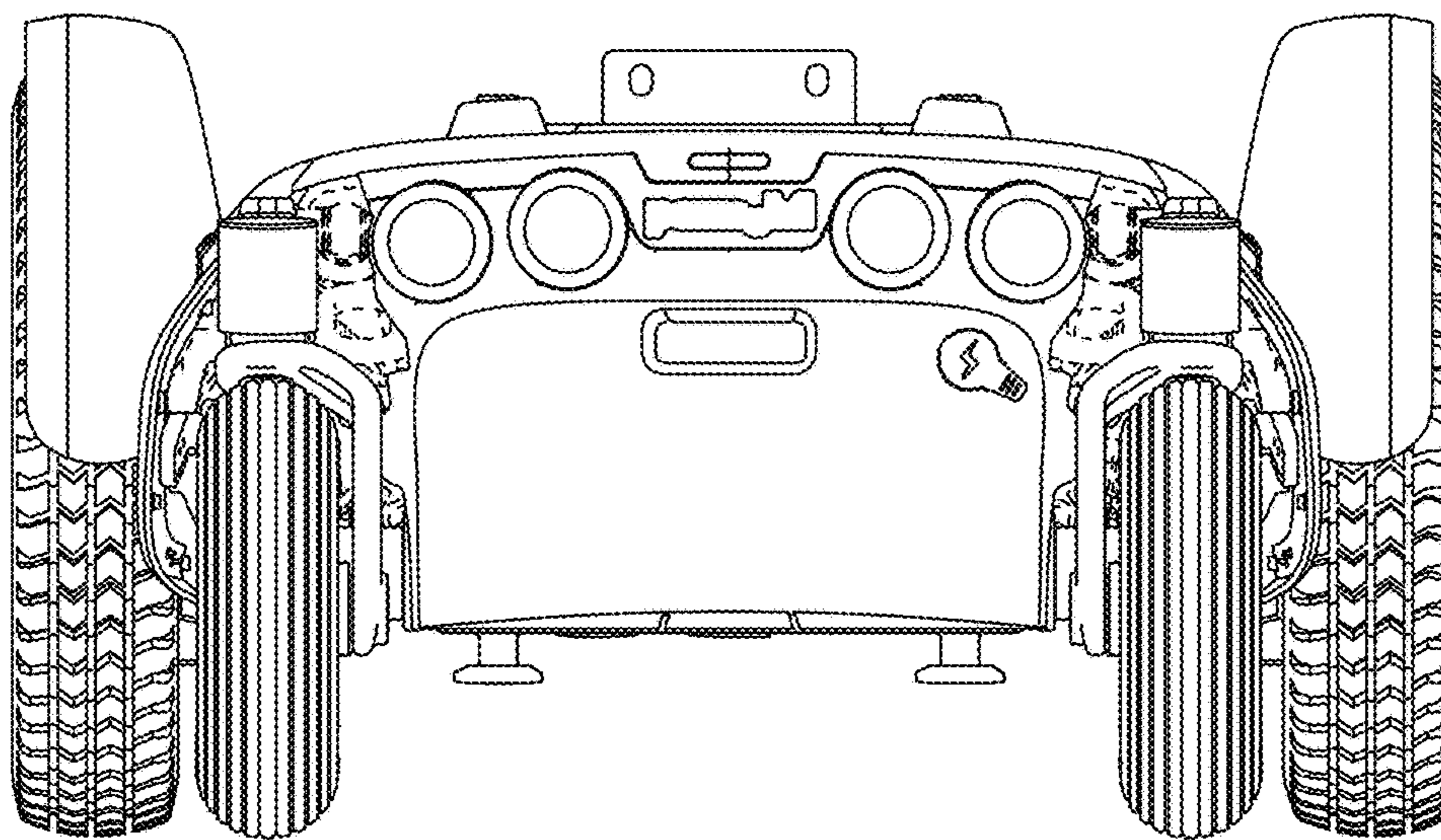
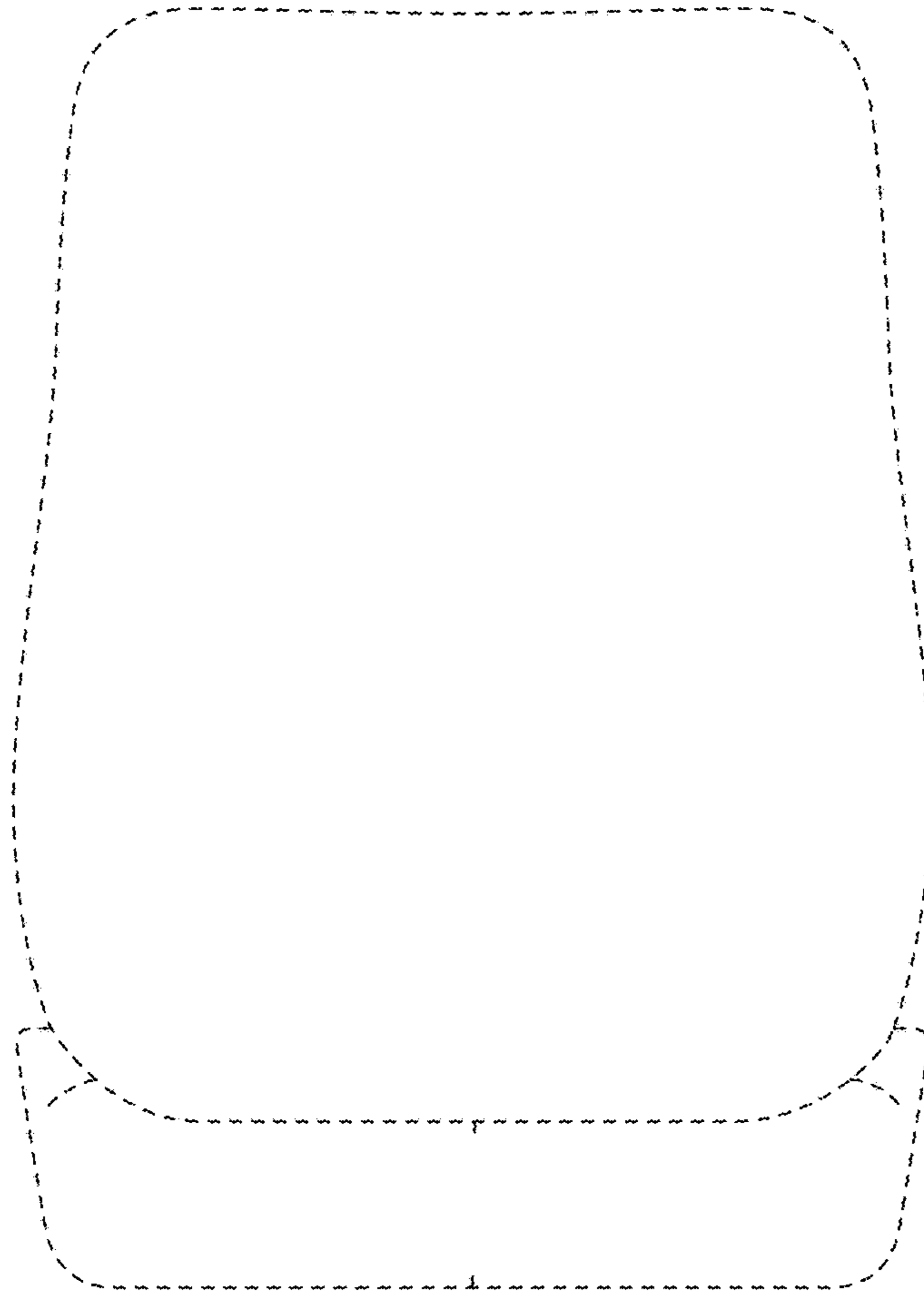


FIG. 2

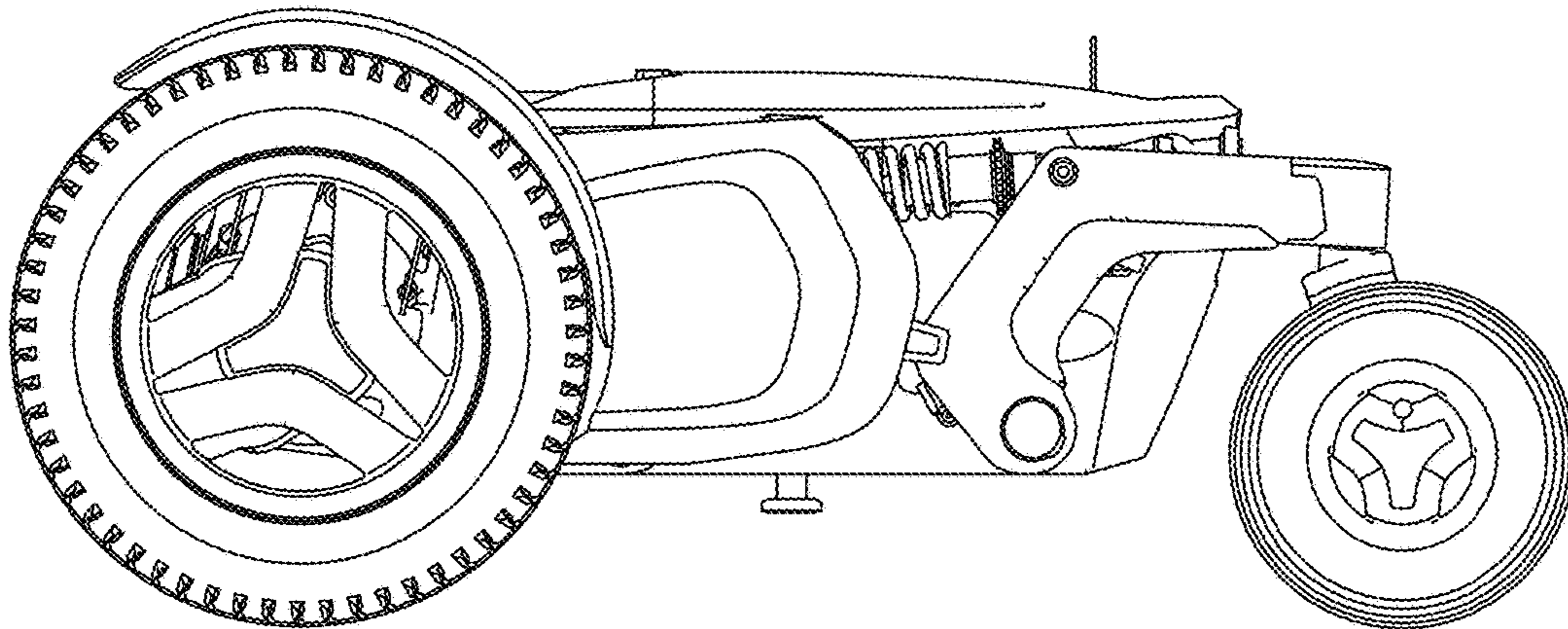
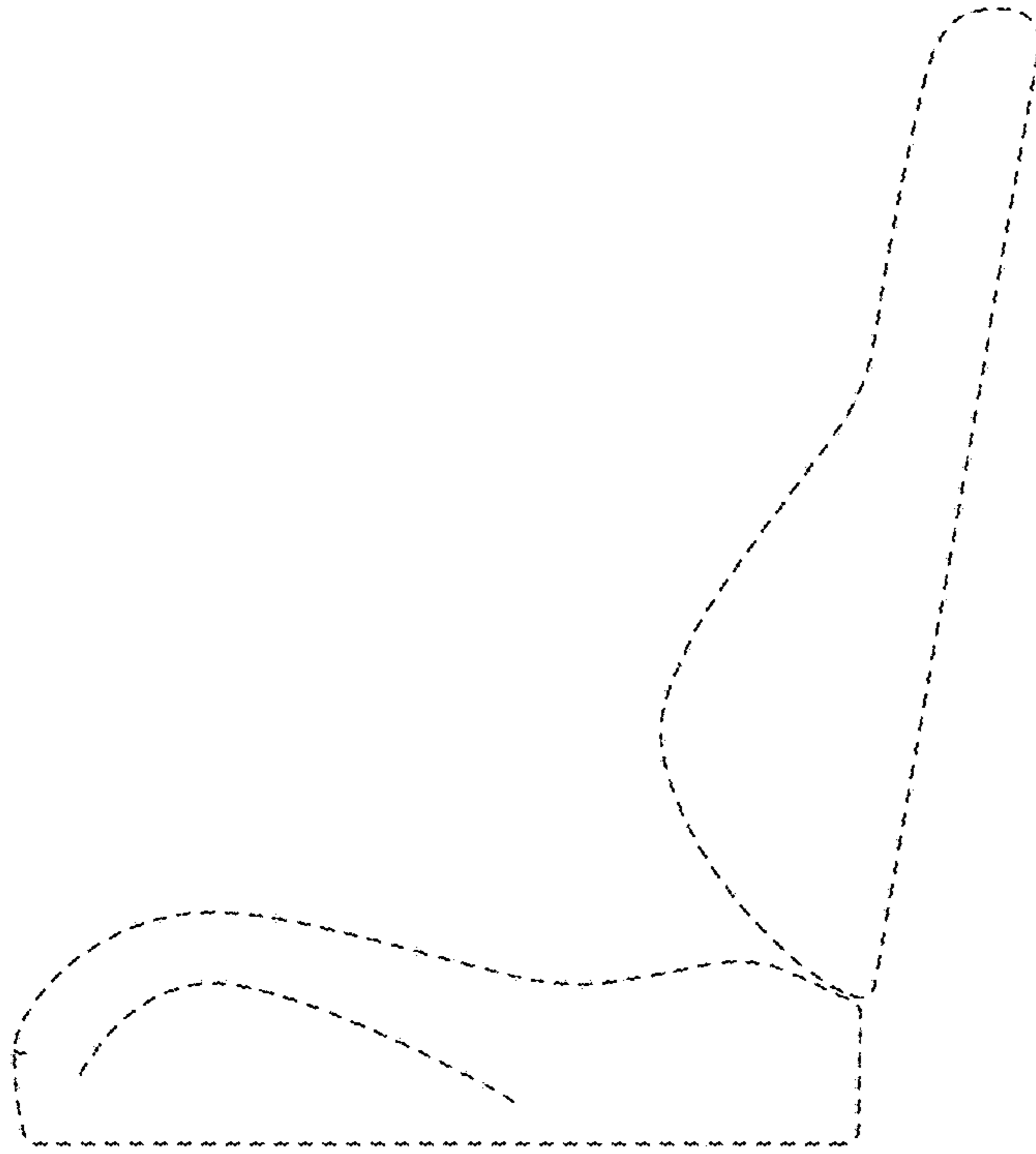


FIG. 3

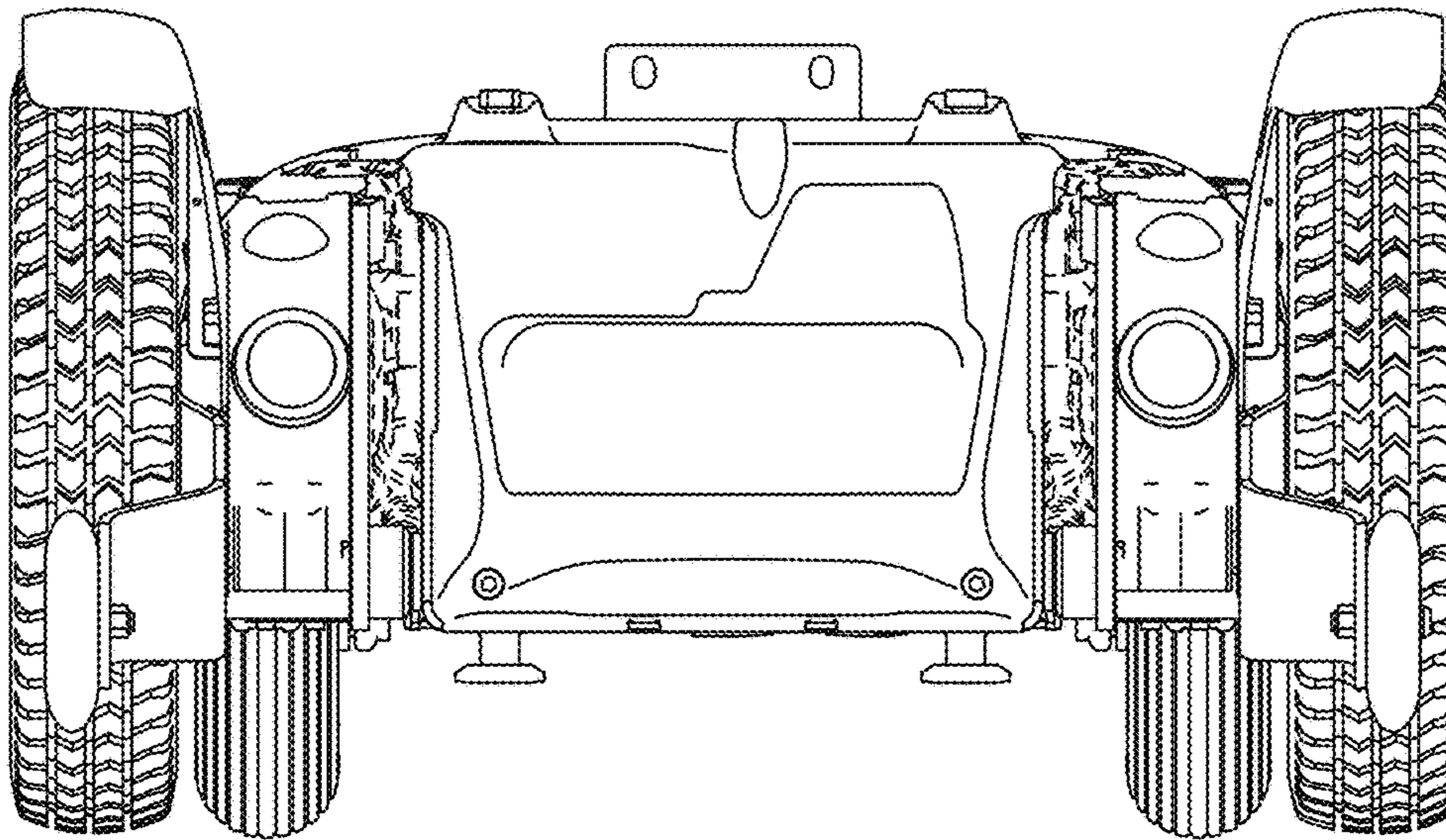
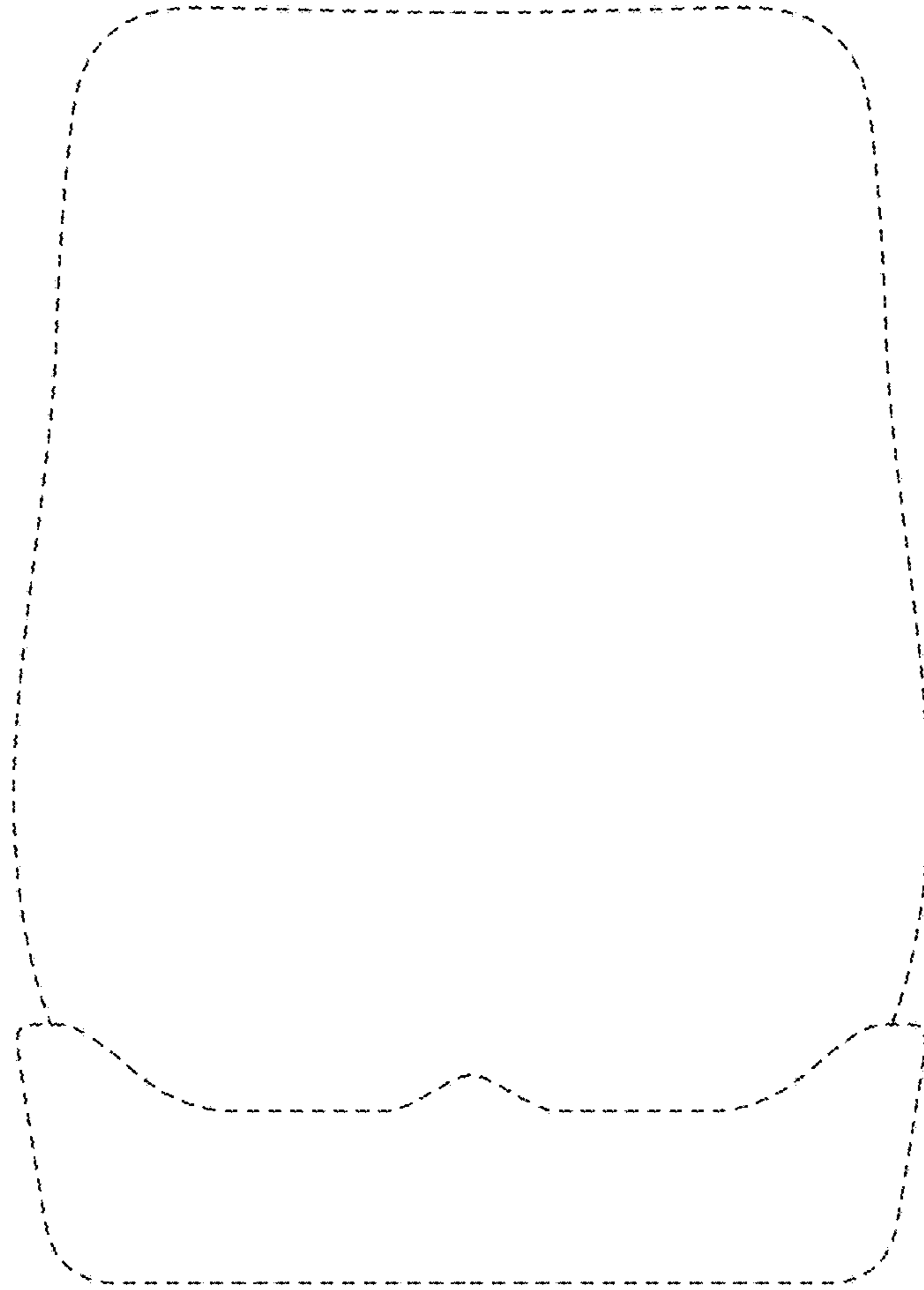


FIG. 4

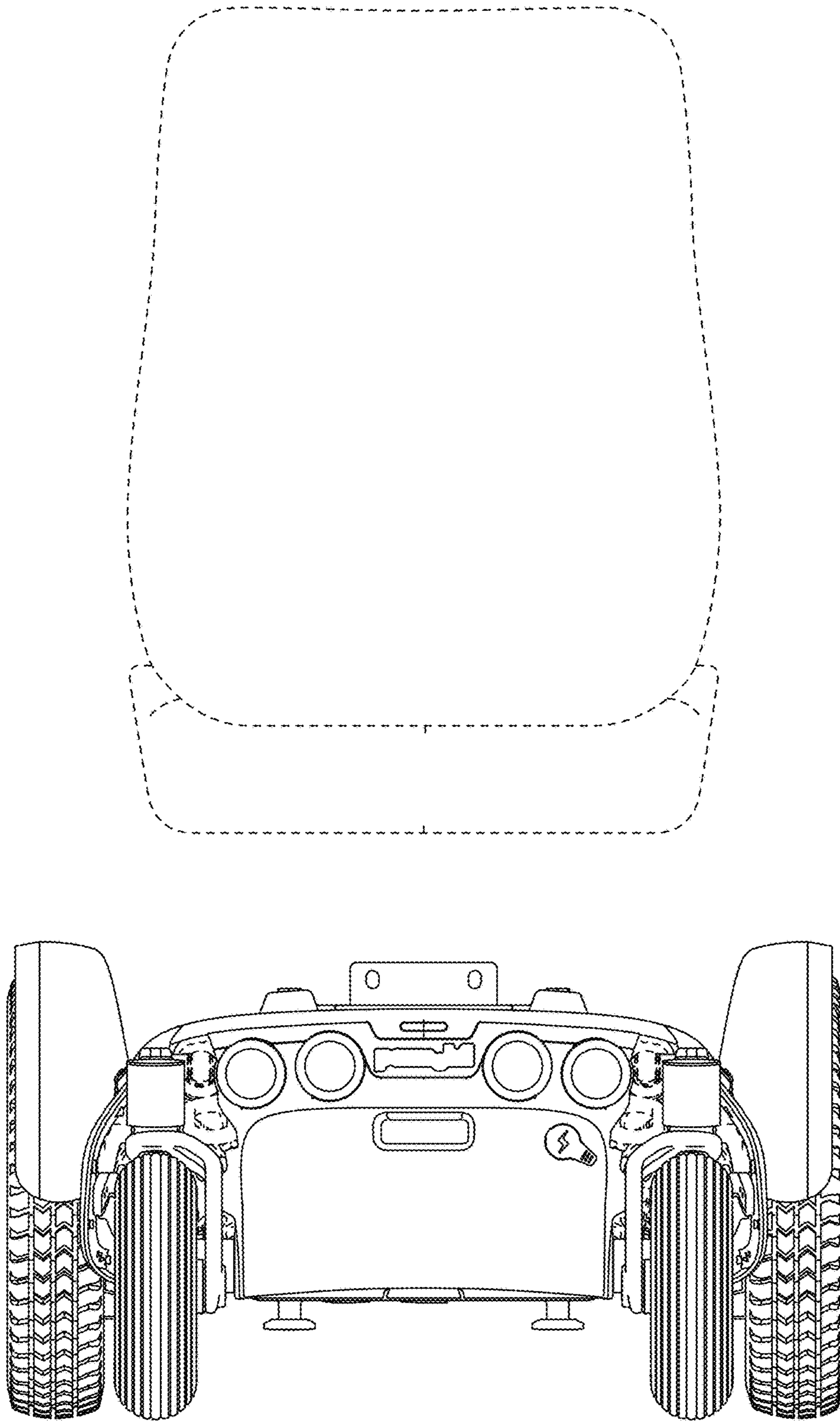


FIG. 5

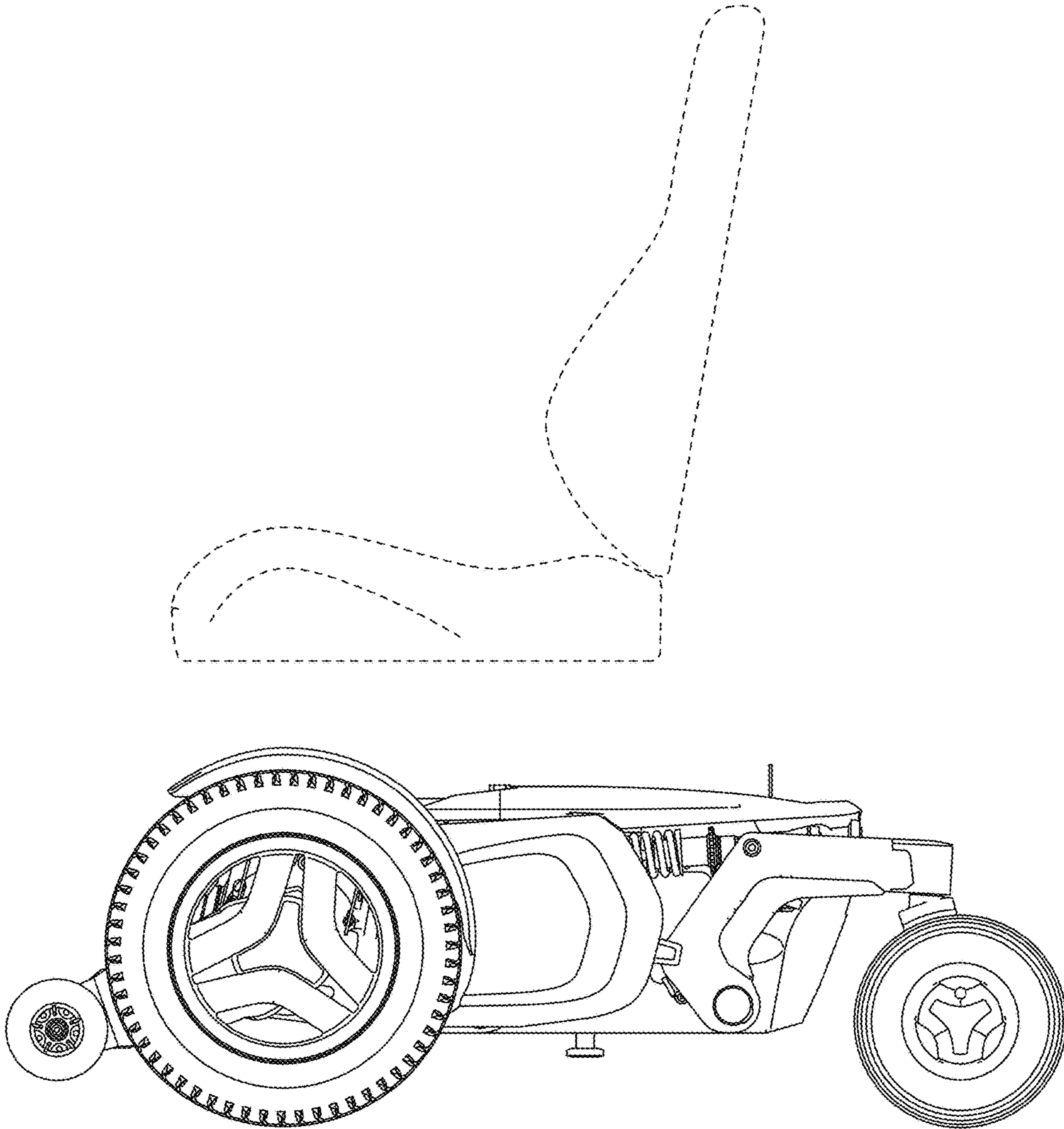


FIG. 6



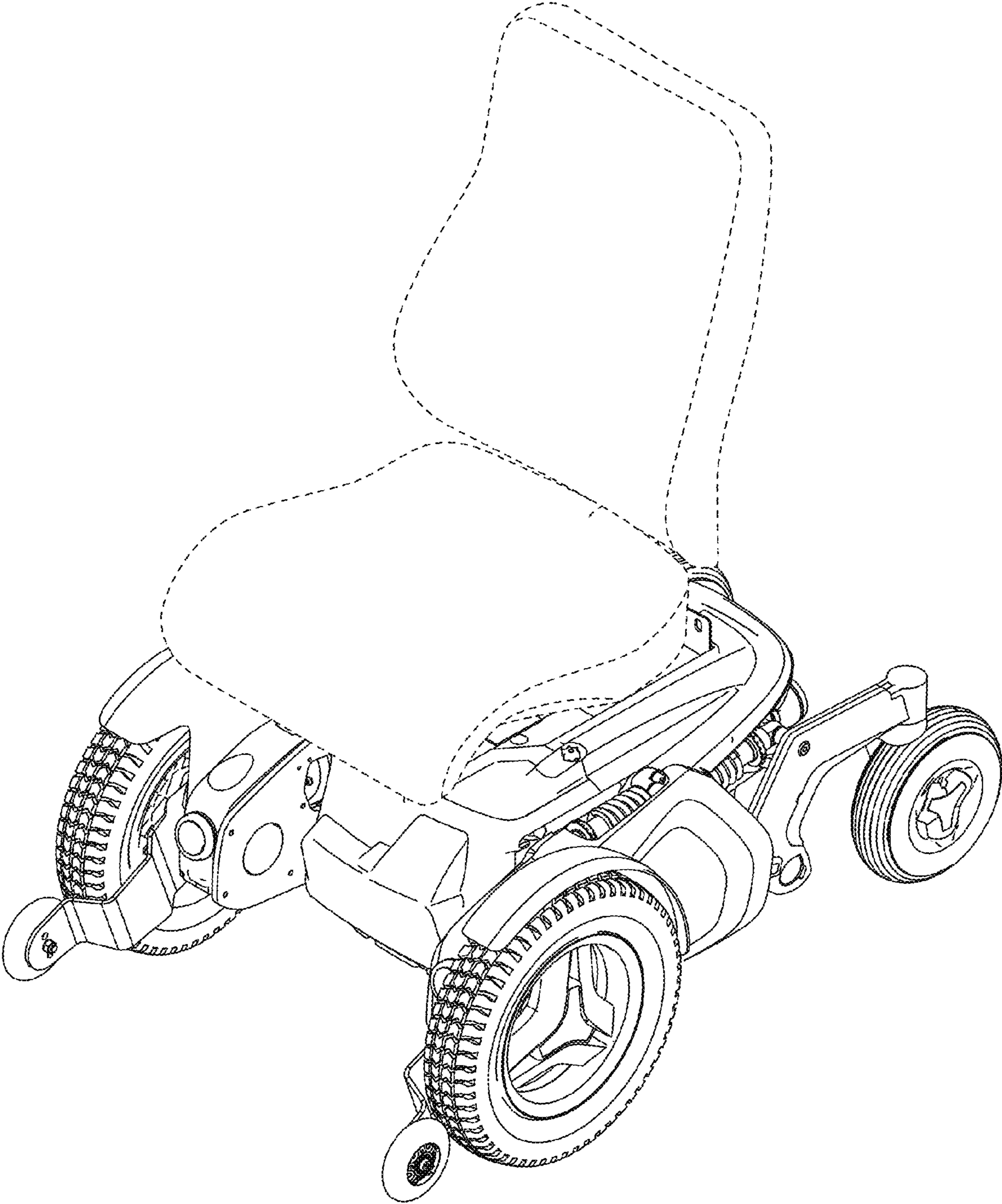


FIG. 7

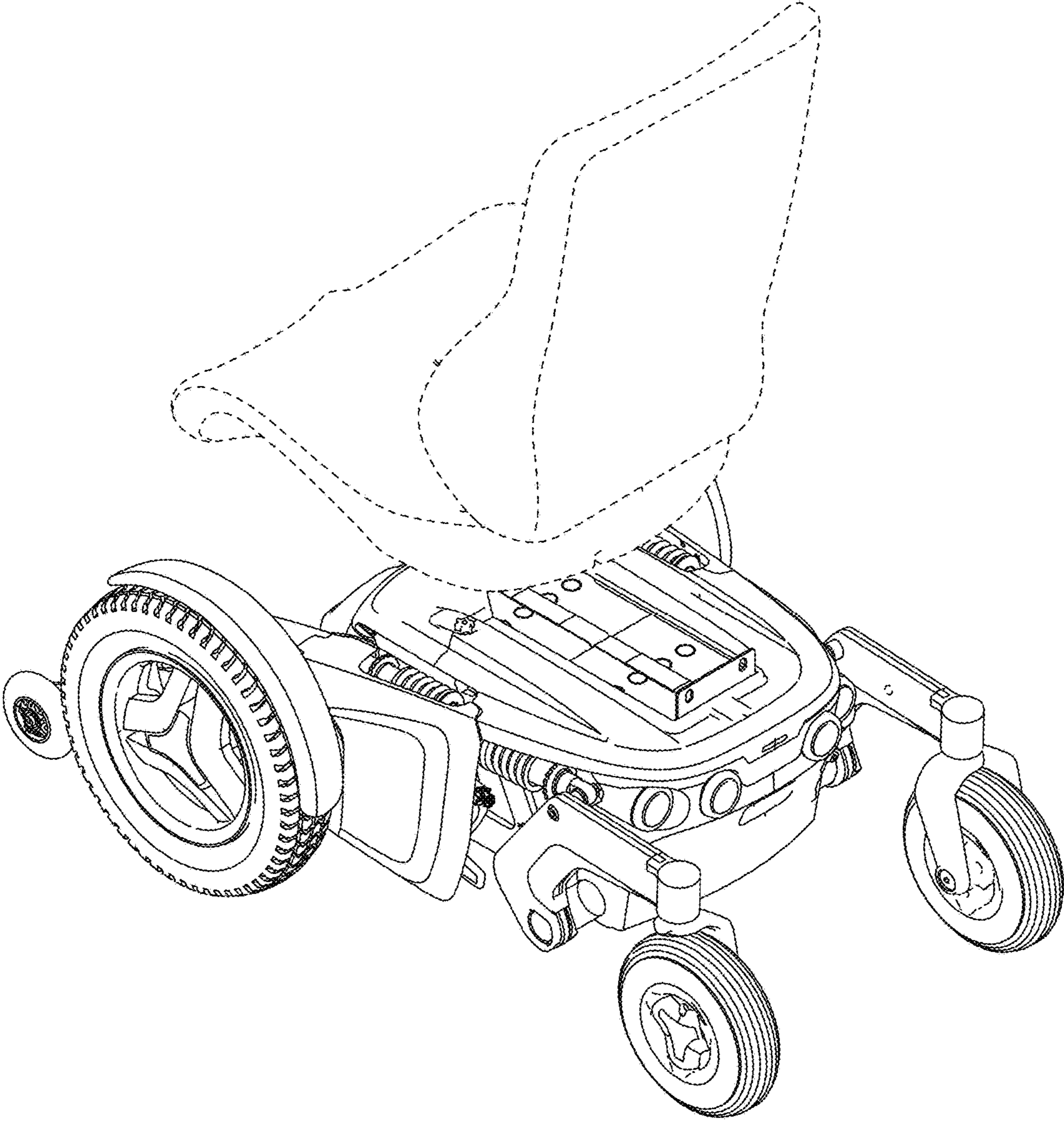


FIG. 8