

US00D793287S

(12) **United States Design Patent** (10) **Patent No.:** **US D793,287 S**
Bauer et al. (45) **Date of Patent:** **** Aug. 1, 2017**

(54) **ANGLED TOWER BICYCLE PARKING STAND**

(71) Applicant: **Park A Bike, Inc.**, Sacramento, CA (US)

(72) Inventors: **Greg A. Bauer**, Sacramento, CA (US);
Donn Van Dusen, Yuba City, AZ (US)

(73) Assignee: **Park A Bike, Inc.**, Sacramento, CA (US)

(**) Term: **15 Years**

(21) Appl. No.: **29/566,774**

(22) Filed: **Jun. 2, 2016**

(51) **LOC (10) Cl.** **12-11**

(52) **U.S. Cl.**

USPC **D12/115**

(58) **Field of Classification Search**

USPC D12/115, 120, 402, 406, 407

CPC ... B62H 3/00; B62H 3/04; B62H 3/08; B62H 3/10; B60R 9/06; B60R 9/10

See application file for complete search history.

(56) **References Cited**

U.S. PATENT DOCUMENTS

D372,691 S *	8/1996	Eason	D12/115
D391,902 S *	3/1998	Pappas	D12/115
D456,316 S *	4/2002	Will	D12/115
D497,873 S *	11/2004	Graber	B62H 3/00
				D12/407
D502,127 S *	2/2005	Pappas	B62H 3/08
				D12/115

D585,793 S *	2/2009	Skalka	B62H 3/02
				D12/115
D595,618 S *	7/2009	Dallaire	D12/115
D604,206 S *	11/2009	Selzer	D12/115
D634,674 S *	3/2011	Finbow	D12/115
D710,783 S *	8/2014	Behar	D12/407
D737,196 S *	8/2015	Pappas	D12/407
D749,013 S *	2/2016	Bauer	D12/115
D774,422 S *	12/2016	Greenblatt	D12/115

* cited by examiner

Primary Examiner — George D. Kirschbaum

Assistant Examiner — Clese Moore, Jr.

(74) *Attorney, Agent, or Firm* — Heisler & Associates

(57) **CLAIM**

The ornamental design for an angled tower bicycle parking stand, as shown and described.

DESCRIPTION

FIG. 1 is a perspective view of an angled tower bicycle parking stand;

FIG. 2 is a front elevation view of the invention;

FIG. 3 is a rear elevation view of the invention;

FIG. 4 is a right side elevation view of the invention;

FIG. 5 is a left side elevation view of the invention;

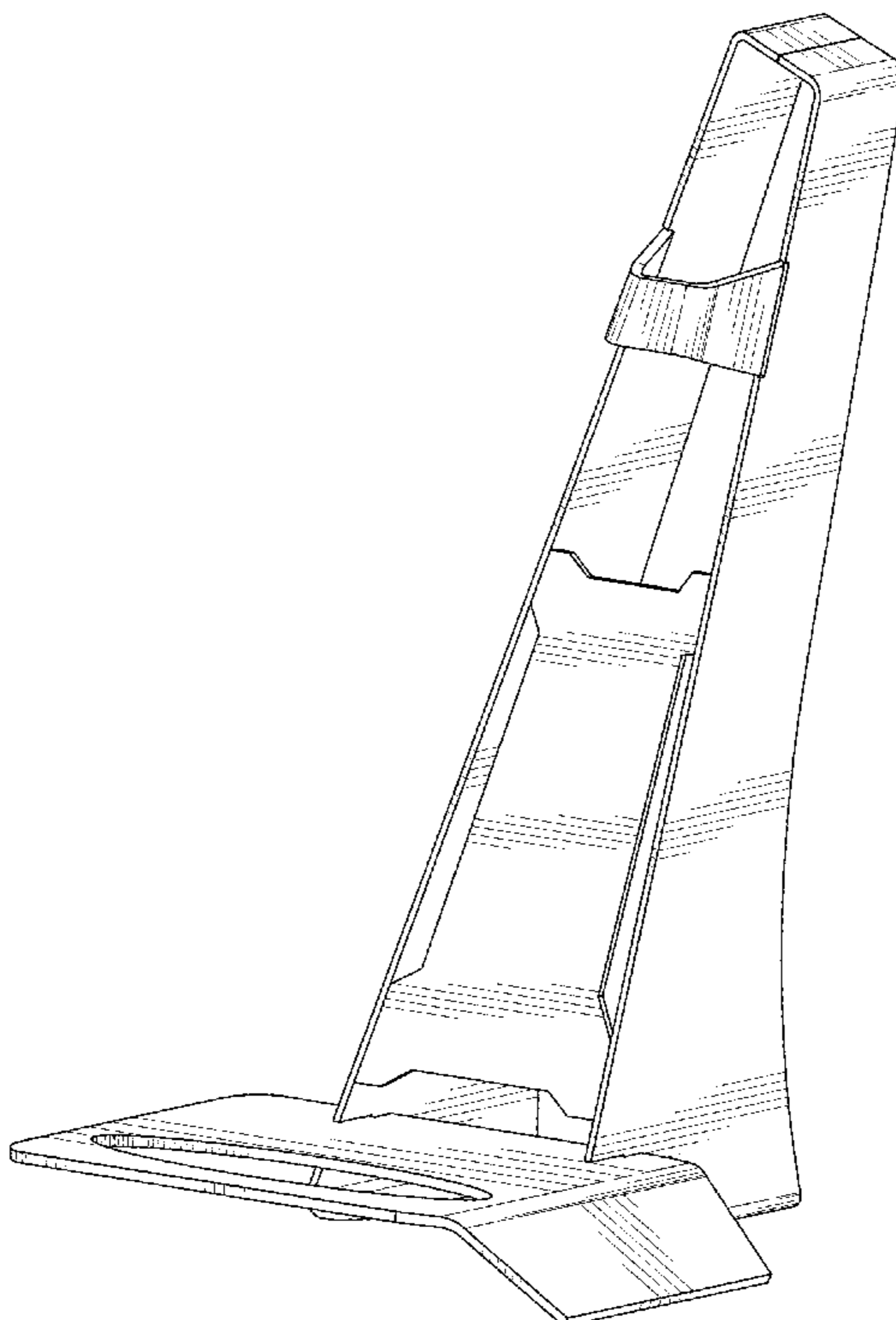
FIG. 6 is a top plan view of the invention;

FIG. 7 is a bottom plan view of the invention; and,

FIG. 8 is a perspective view of the invention in use with a bicycle parked adjacent thereto.

The broken lines in the drawings represent unclaimed environmental subject matter and form no part of the claim.

1 Claim, 8 Drawing Sheets



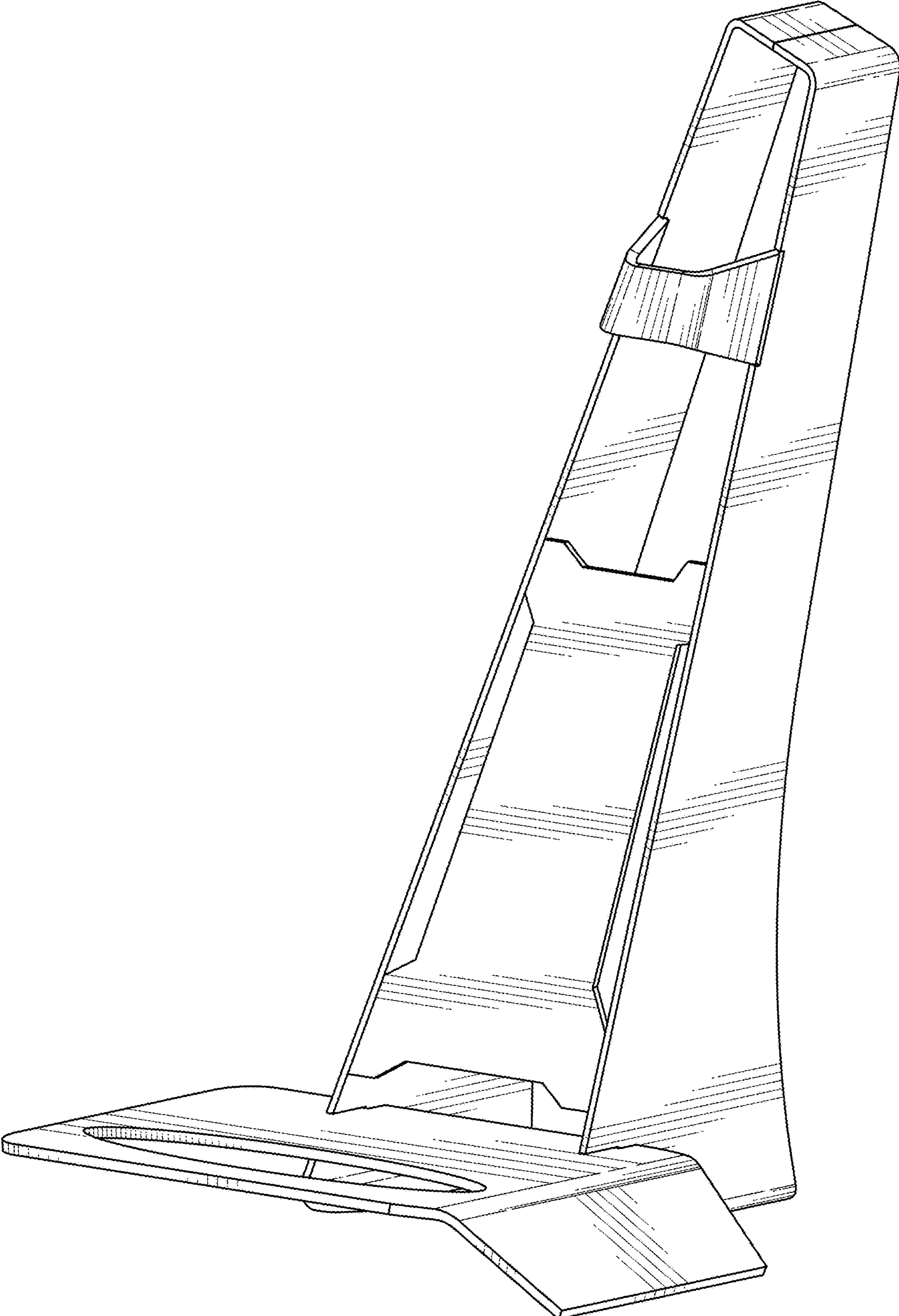


FIG. 1

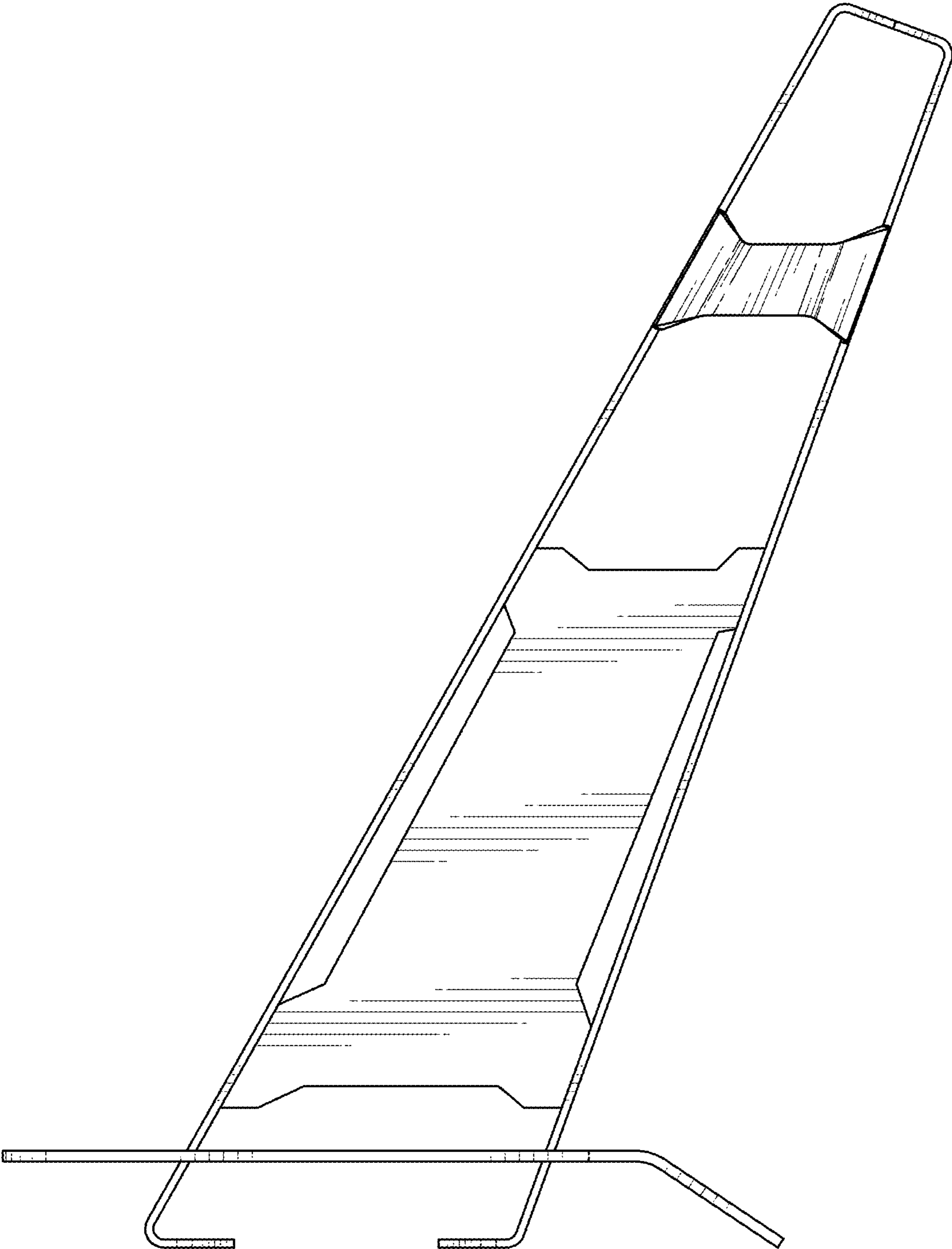


FIG. 2

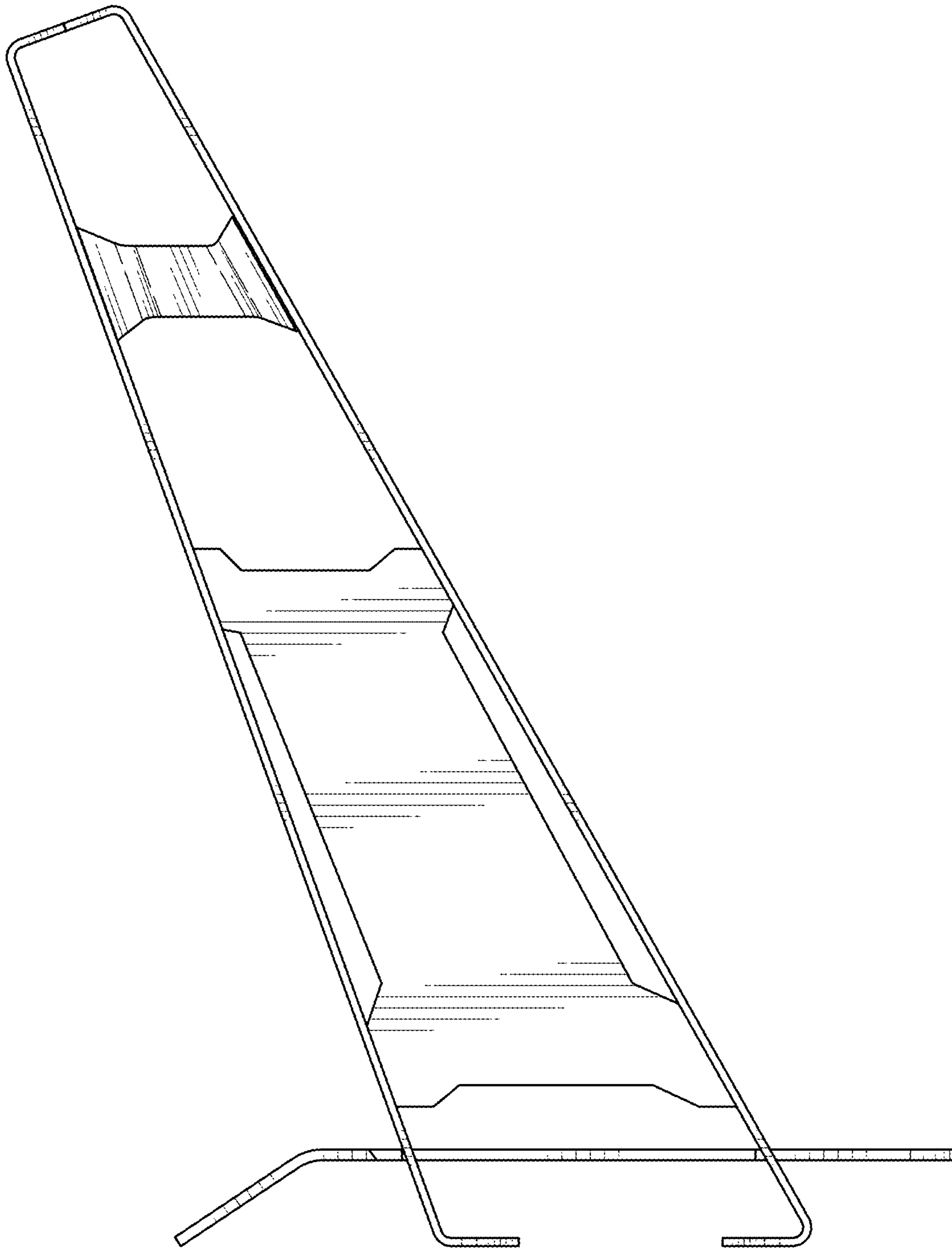


FIG. 3

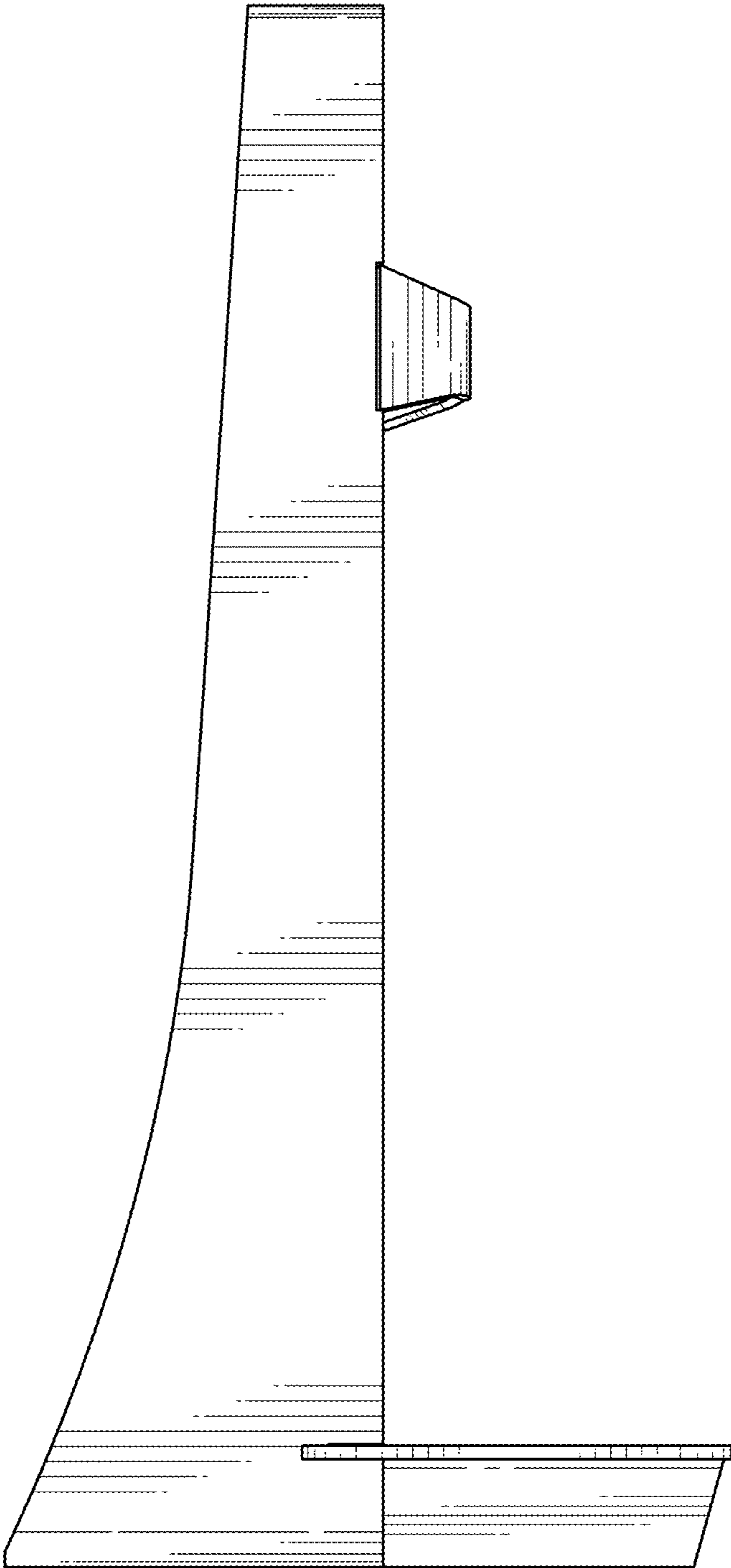


FIG. 4

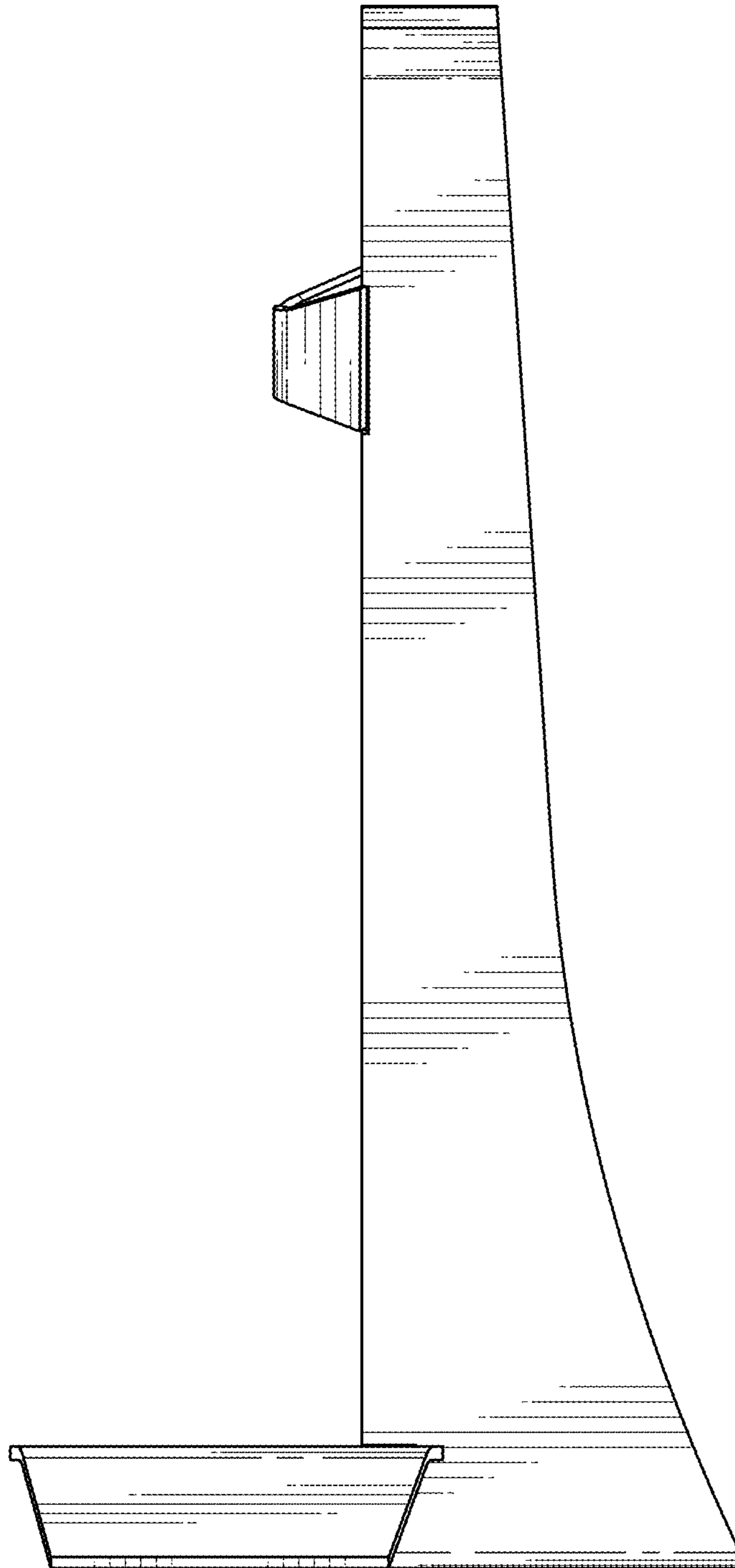


FIG. 5

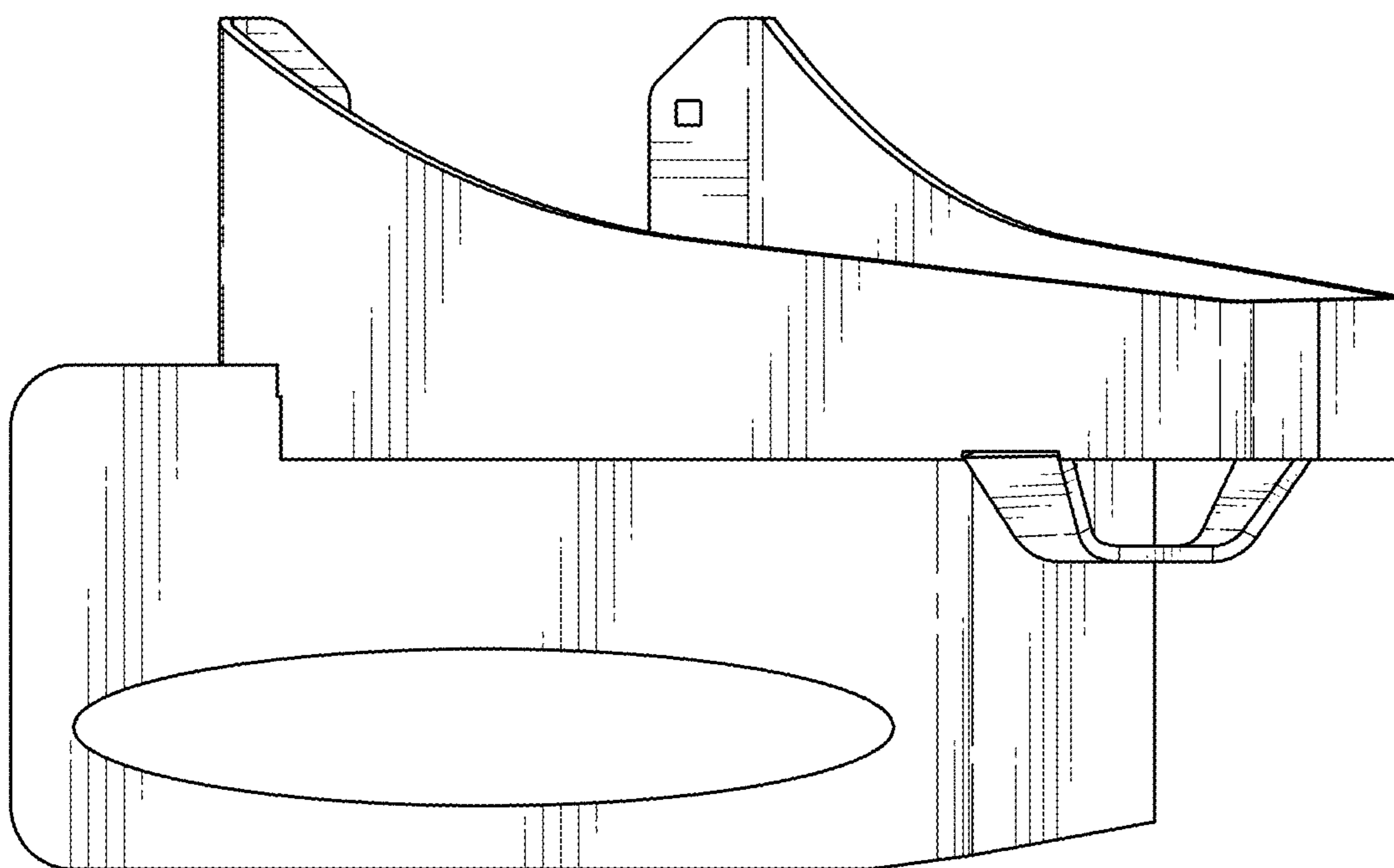


FIG. 6

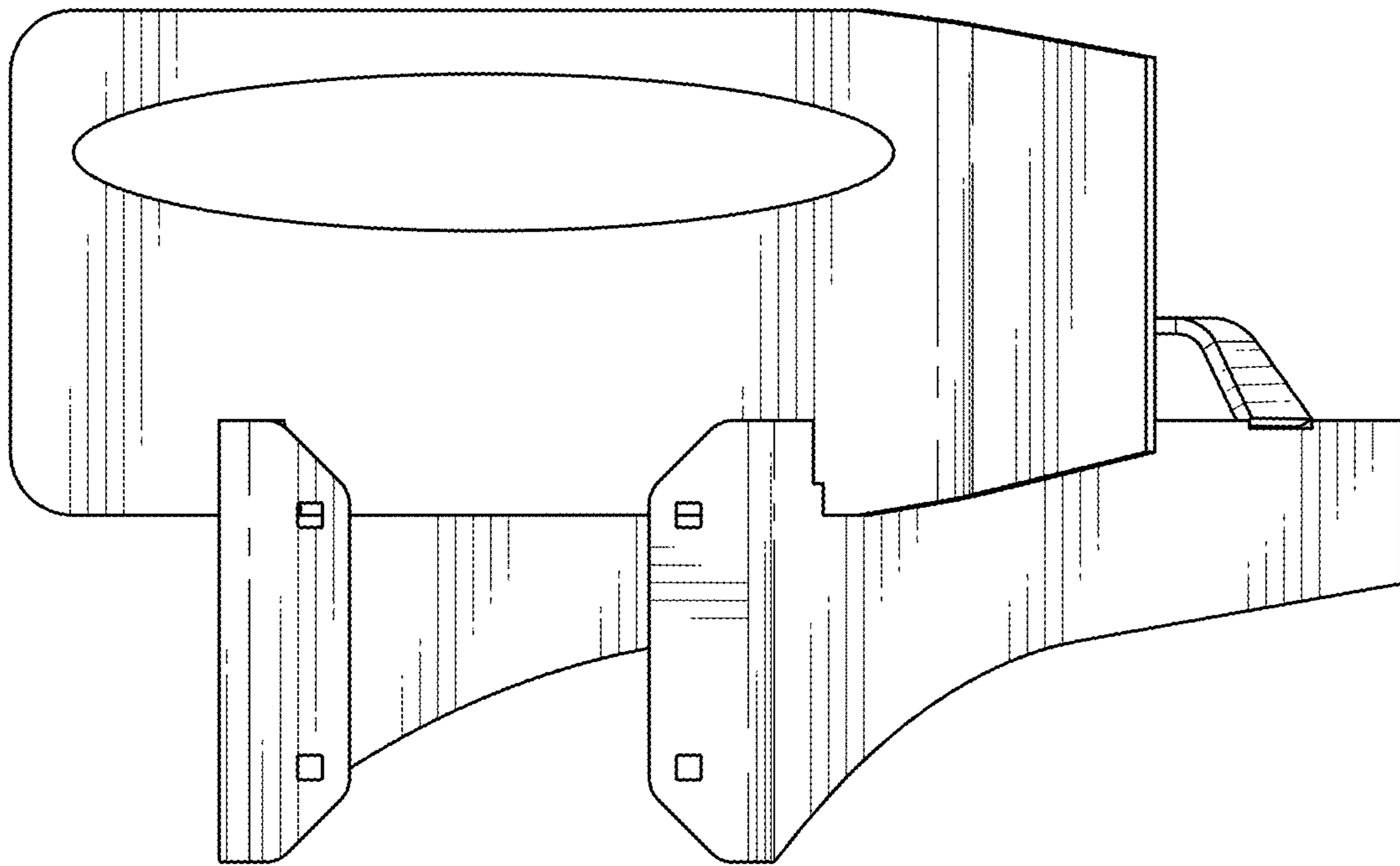


FIG. 7

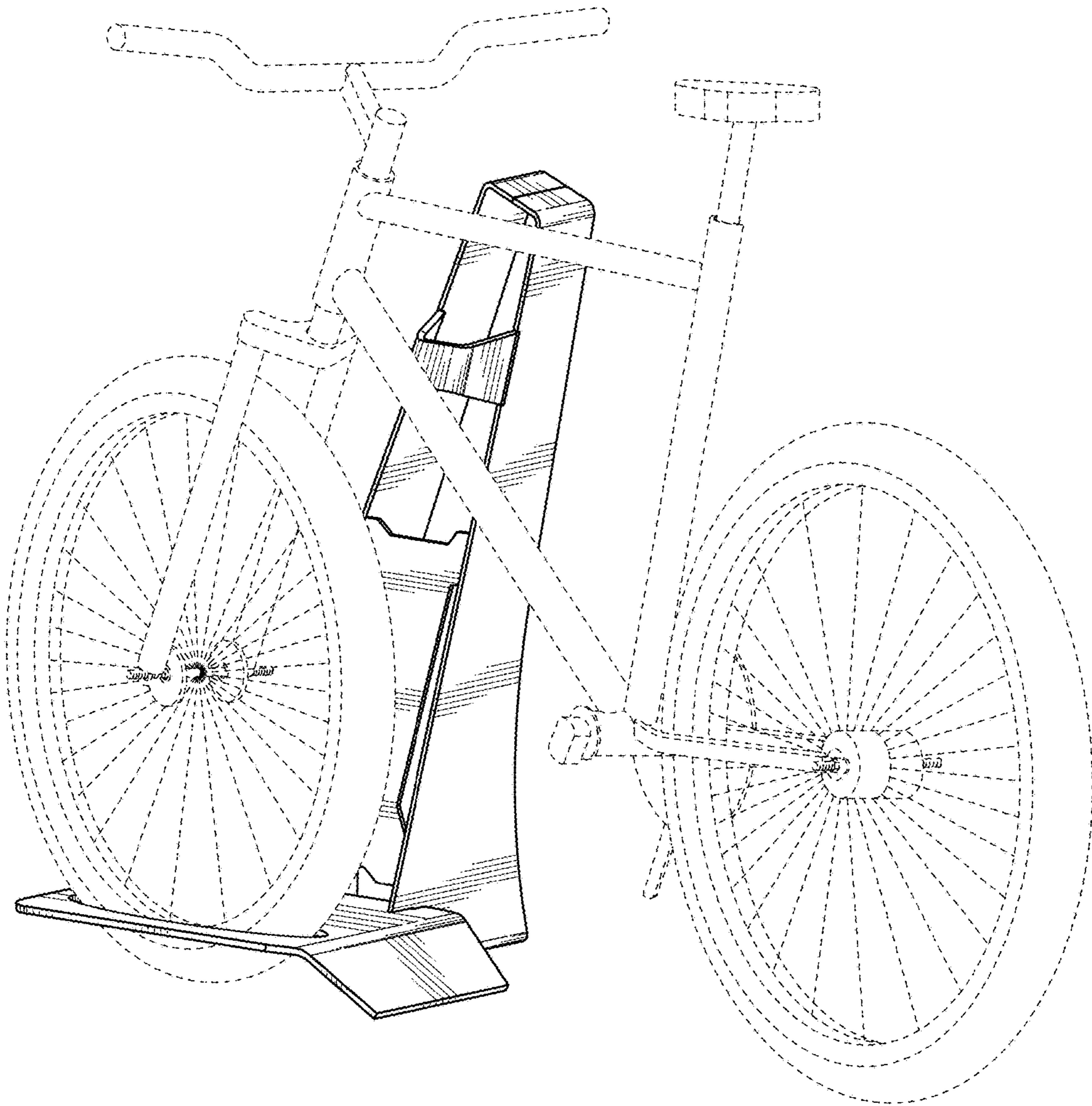


FIG. 8