

US00D793285S

(12) **United States Design Patent**
Toyama

(10) **Patent No.:** **US D793,285 S**

(45) **Date of Patent:** **** Aug. 1, 2017**

(54) **MOTORCYCLE**

(71) Applicant: **SUZUKI MOTOR CORPORATION**,
Hamamatsu-shi, Shizuoka-ken (JP)

(72) Inventor: **Kazuhiro Toyama**, Shizuoka (JP)

(73) Assignee: **SUZUKI MOTOR CORPORATION**,
Hamamatsu-shi, Shizuoka-ken (JP)

(**) Term: **15 Years**

(21) Appl. No.: **29/552,029**

(22) Filed: **Jan. 19, 2016**

(30) **Foreign Application Priority Data**

Aug. 7, 2015 (JP) 2015-017557

(51) **LOC (10) Cl.** **12-11**

(52) **U.S. Cl.**
USPC **D12/110**

(58) **Field of Classification Search**
USPC D12/110, 111, 117; D21/432, 538;
180/219, 220, 225, 229
CPC B62K 11/00; B62K 11/02; B62K 11/04;
B62K 11/10; B62K 17/00; B62K 19/00;
B62K 2202/00

See application file for complete search history.

(56) **References Cited**

U.S. PATENT DOCUMENTS

D305,520 S *	1/1990	Kikuchi	D12/110
D310,053 S *	8/1990	Kishi	D12/110
D383,096 S *	9/1997	Abe	D12/110
D395,849 S *	7/1998	Maruyama	D12/110
D444,103 S *	6/2001	Robb	D12/110
D472,852 S *	4/2003	Chen	D12/110
D492,222 S *	6/2004	Uchiyama	D12/110
D497,573 S *	10/2004	James	D12/110

D504,640 S *	5/2005	Conte	D12/110
D513,209 S *	12/2005	Shiau	D12/110
D516,468 S *	3/2006	Kuboshima	D12/110
D538,202 S *	3/2007	Shimizu	D12/110
D543,905 S *	6/2007	Domergue	D12/110
D566,010 S *	4/2008	Hohdorf	D12/110
D566,011 S *	4/2008	Hohdorf	D12/110
D599,253 S *	9/2009	Isokari	D12/110
D601,061 S *	9/2009	Heinrich	D12/110
D603,759 S *	11/2009	Nakazawa	D12/110
D605,087 S *	12/2009	Wong	D12/110
D606,907 S *	12/2009	Arai	D12/110
D695,648 S *	12/2013	Yamazaki	D12/110
D715,696 S *	10/2014	Sasanami	D12/110
D718,670 S *	12/2014	Kiska	D12/110
D723,430 S *	3/2015	Schmidt	D12/110
D734,216 S *	7/2015	Sasanami	D12/110
D756,269 S *	5/2016	Hahn-Woernle	D12/110

* cited by examiner

Primary Examiner — Darlington Ly

(74) *Attorney, Agent, or Firm* — Lando & Anastasi, LLP

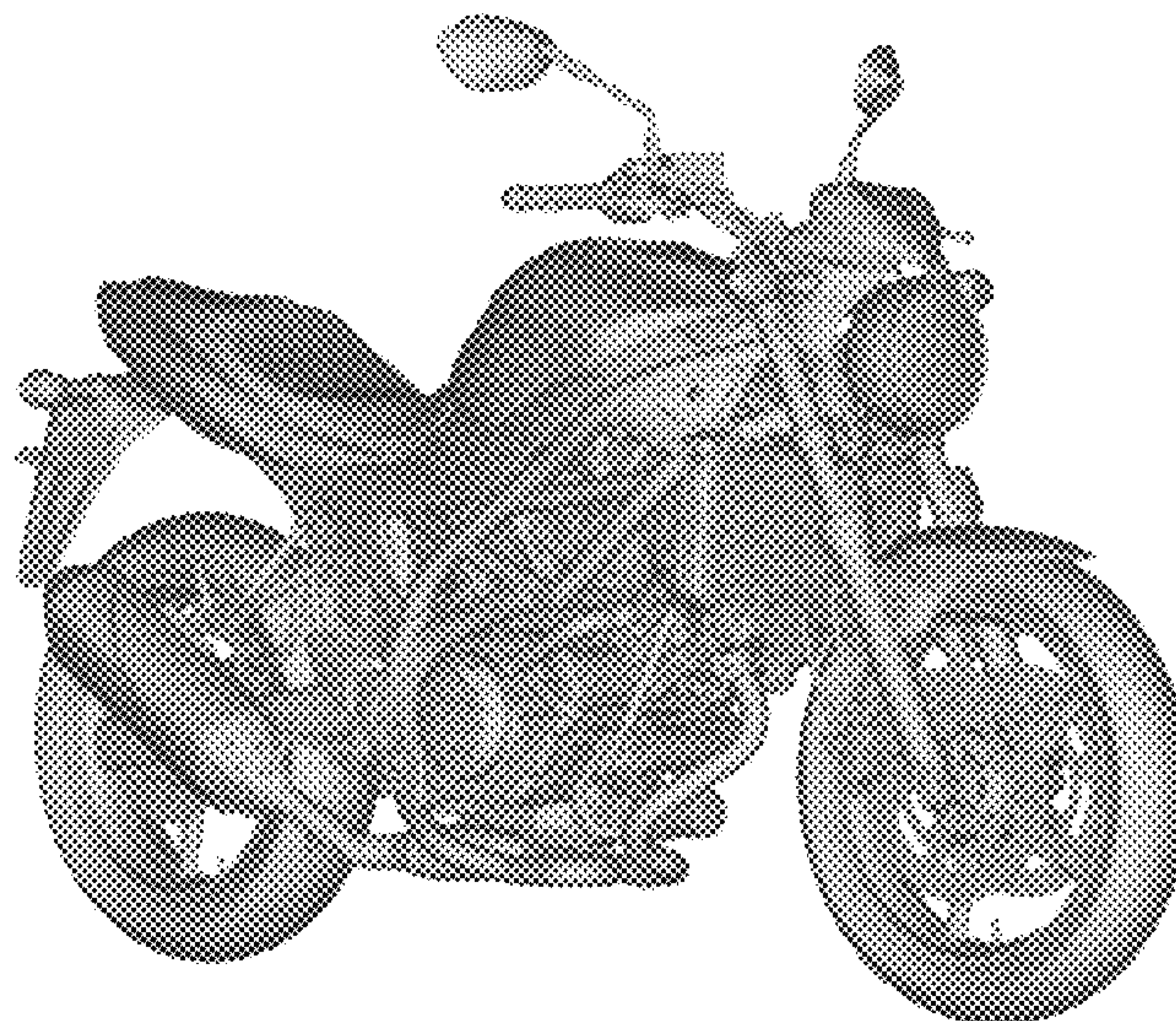
(57) **CLAIM**

The ornamental design for a motorcycle, as shown and described.

DESCRIPTION

FIG. 1 is a front elevation view of a motorcycle in accordance with the present invention;
FIG. 2 is rear elevation view thereof;
FIG. 3 is a top plan view thereof;
FIG. 4 is a bottom plan view thereof;
FIG. 5 is a right side elevation view thereof;
FIG. 6 is a left side elevation view thereof;
FIG. 7 is a front and right side perspective view thereof;
FIG. 8 is a rear and right side perspective view thereof;
FIG. 9 is a front and left side perspective view thereof; and,
FIG. 10 is a rear and left side perspective view thereof.

1 Claim, 10 Drawing Sheets



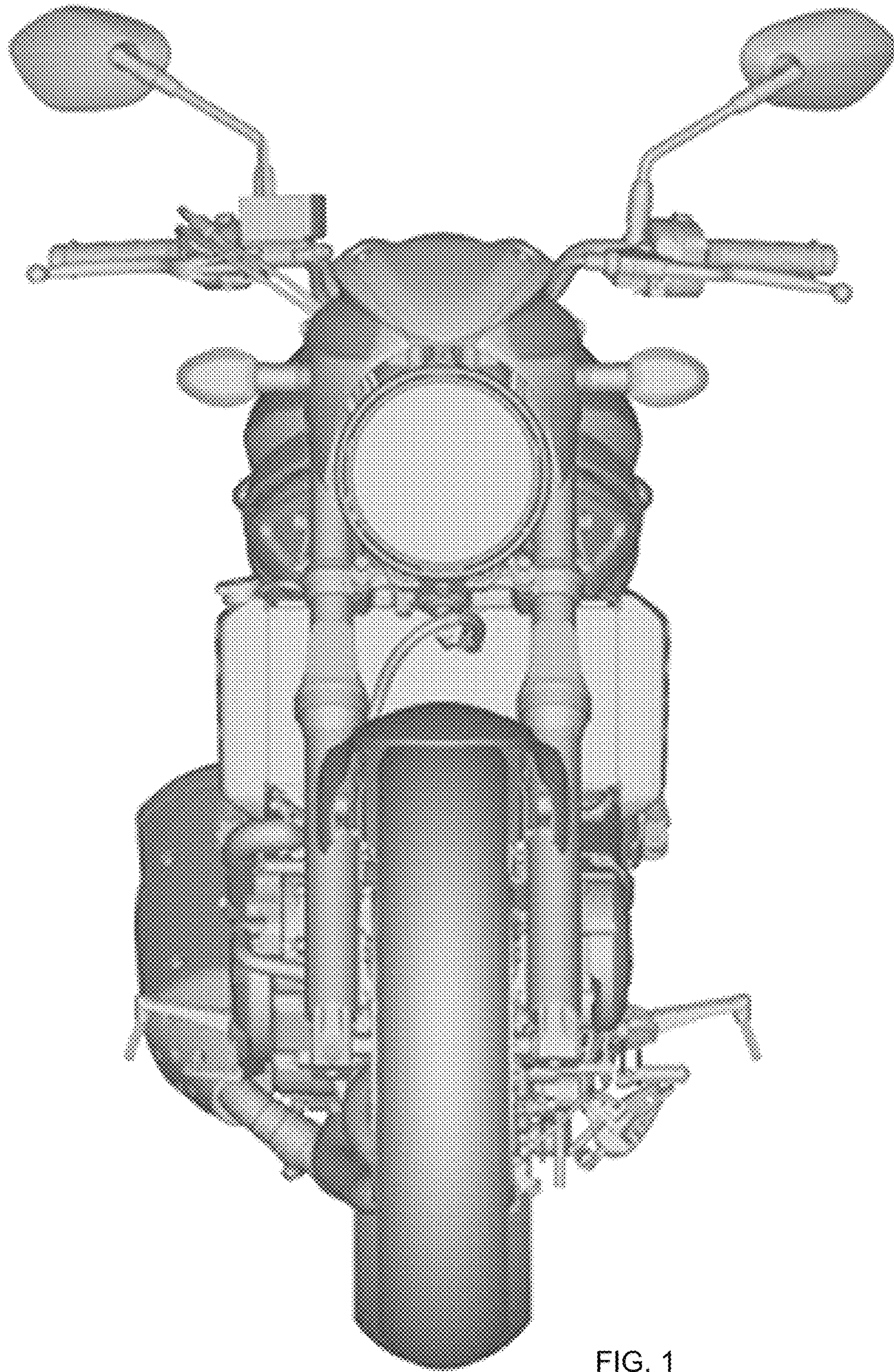


FIG. 1

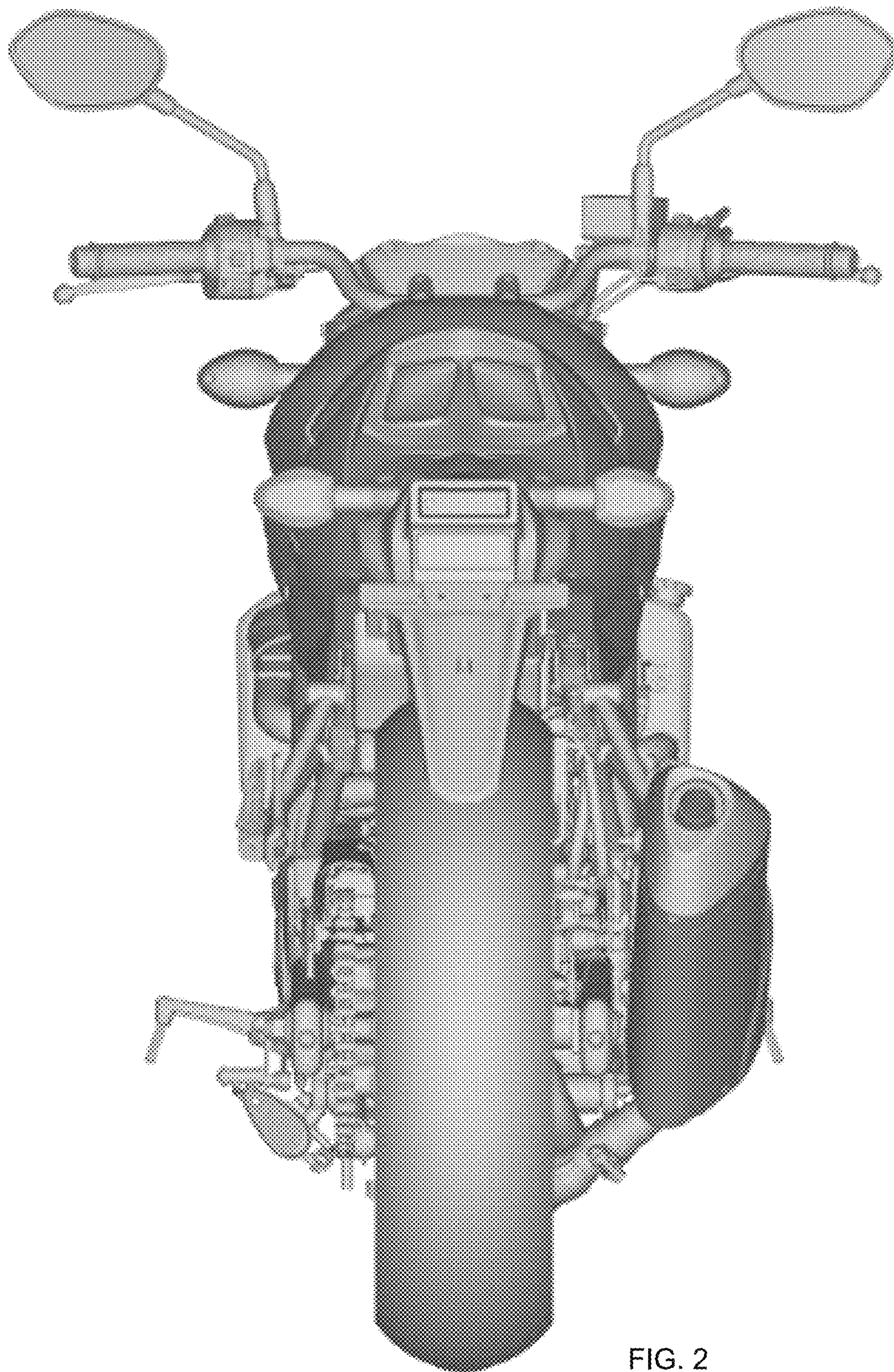


FIG. 2

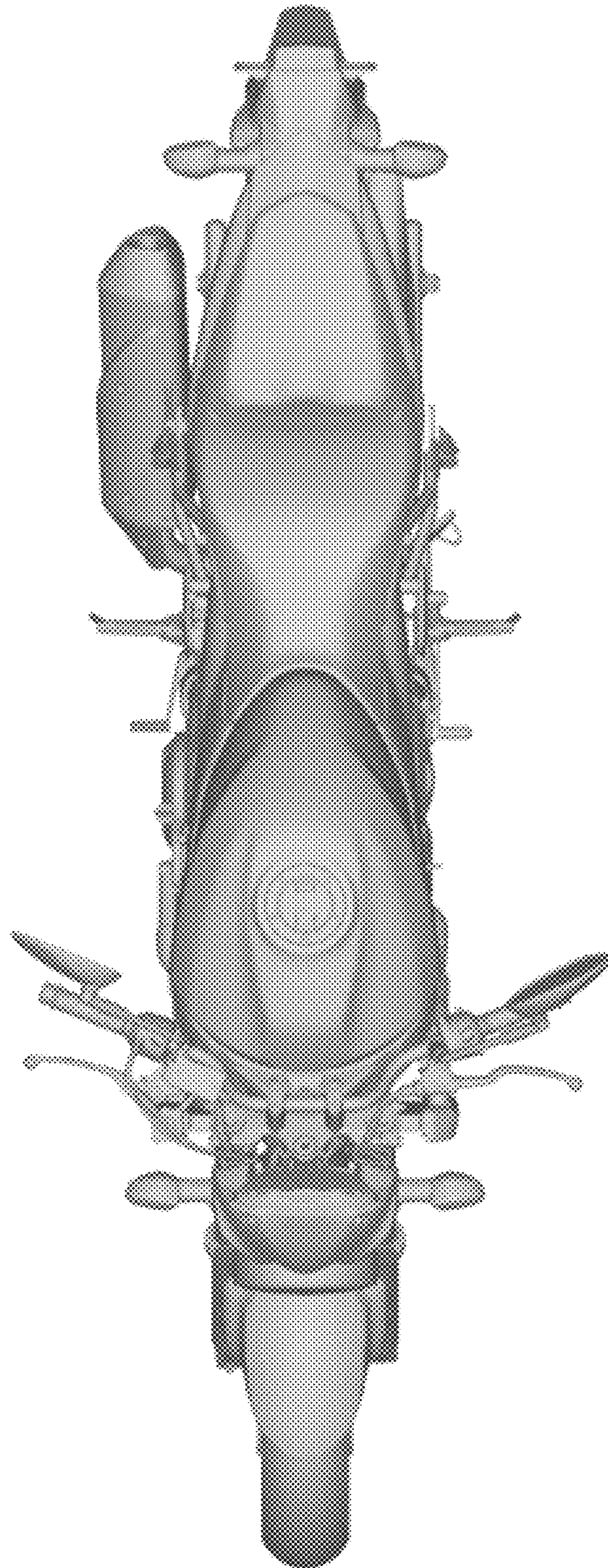


FIG. 3

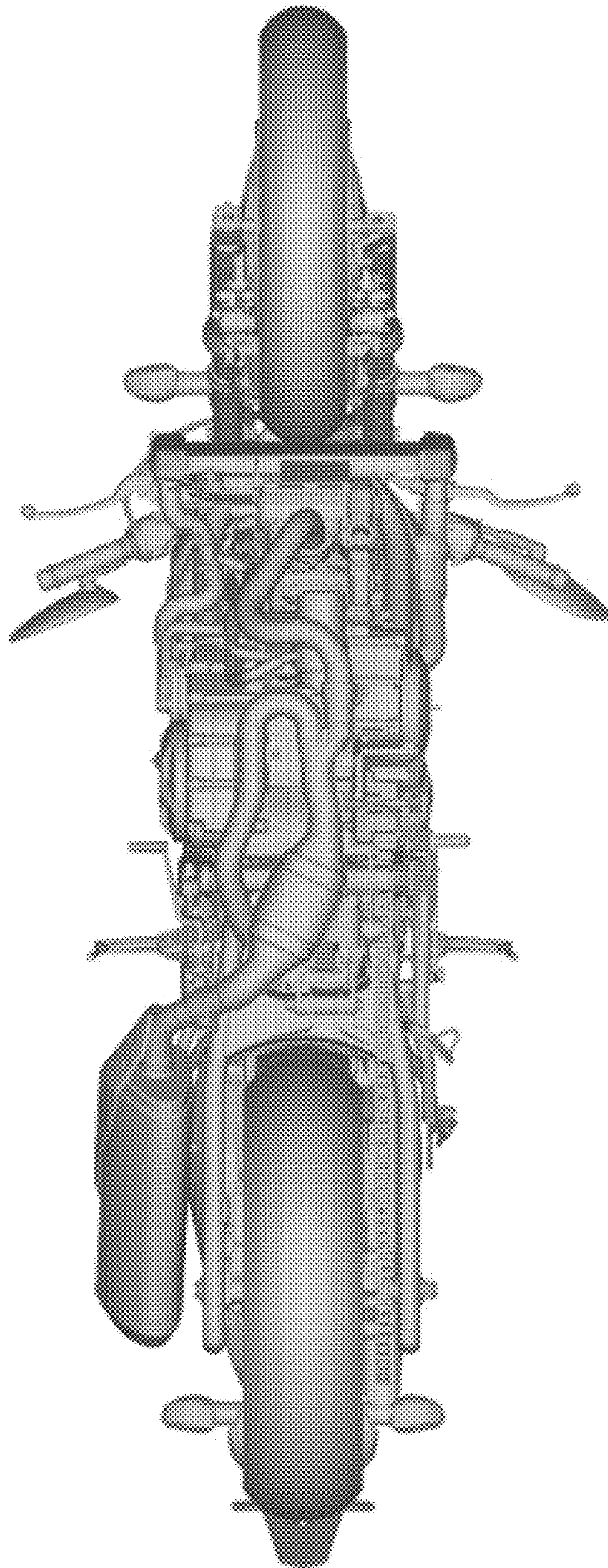


FIG. 4

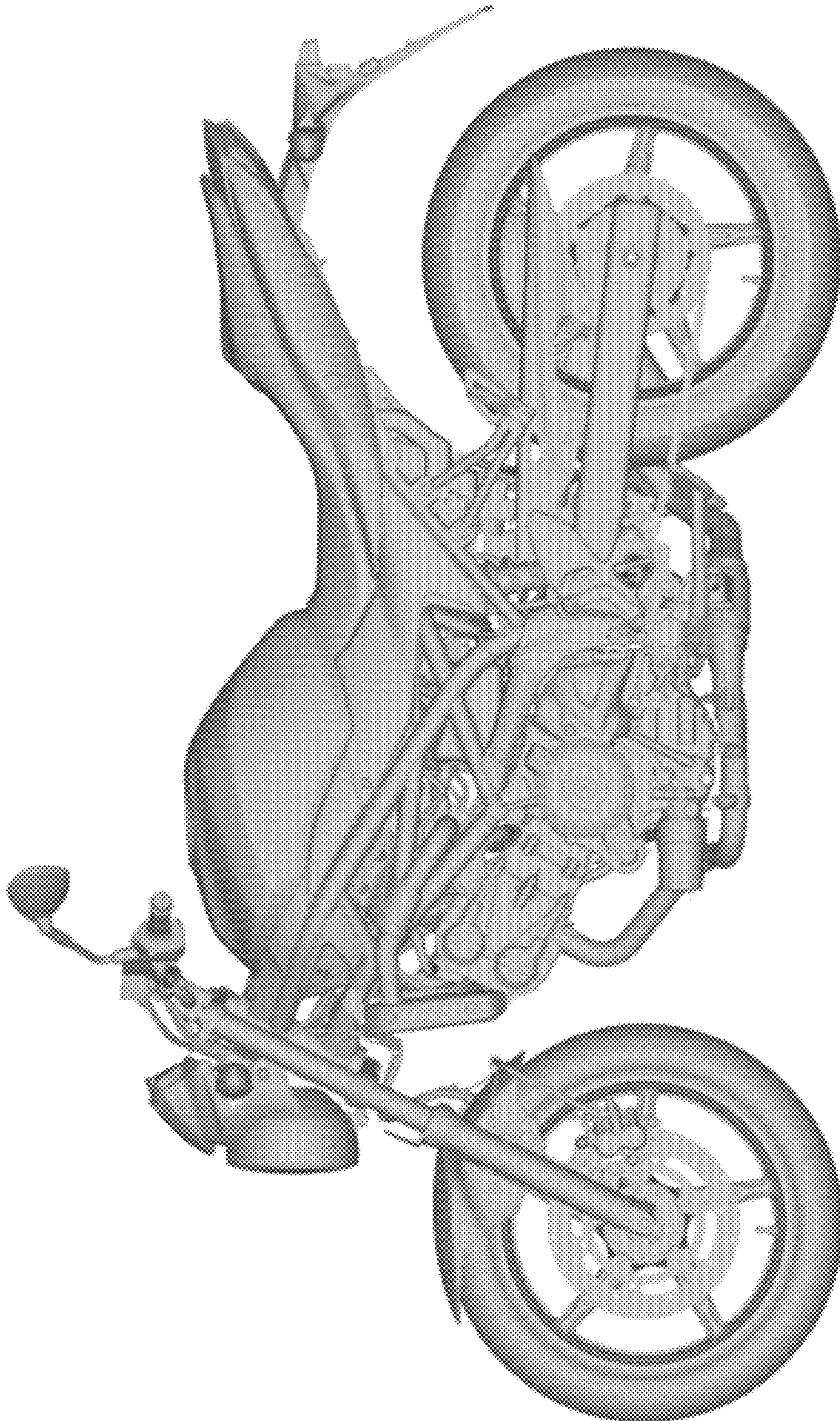


FIG. 5

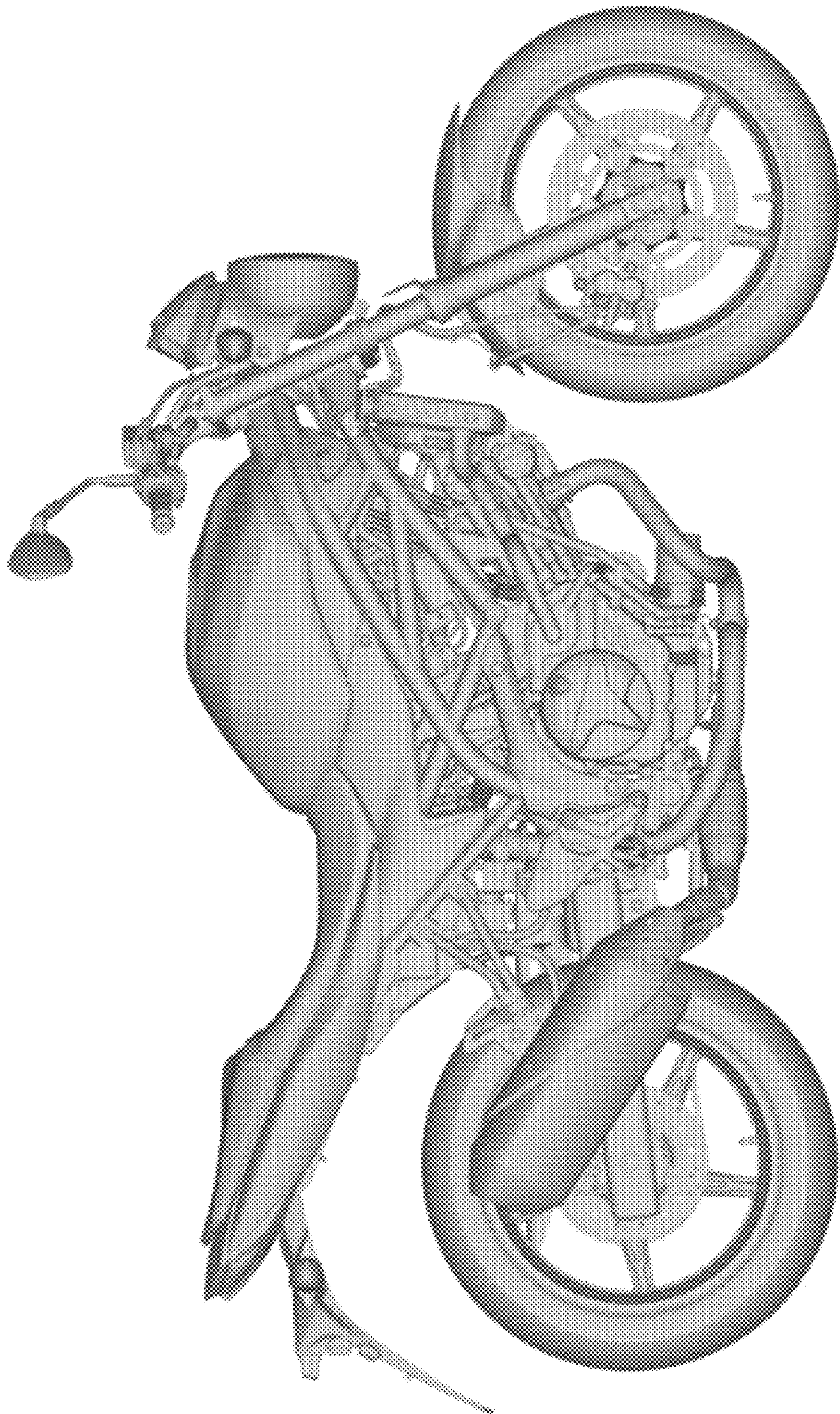


FIG. 6

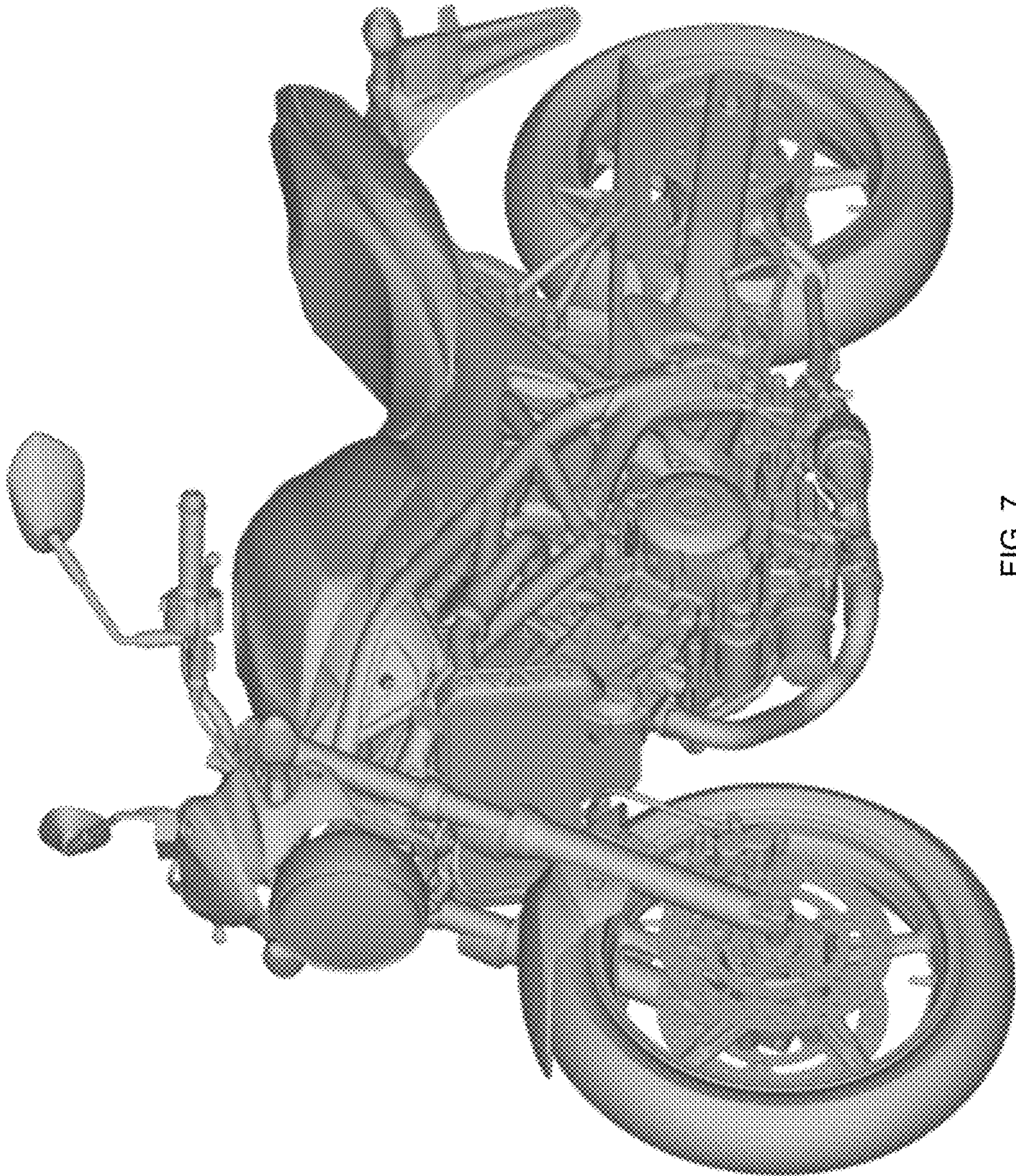


FIG. 7

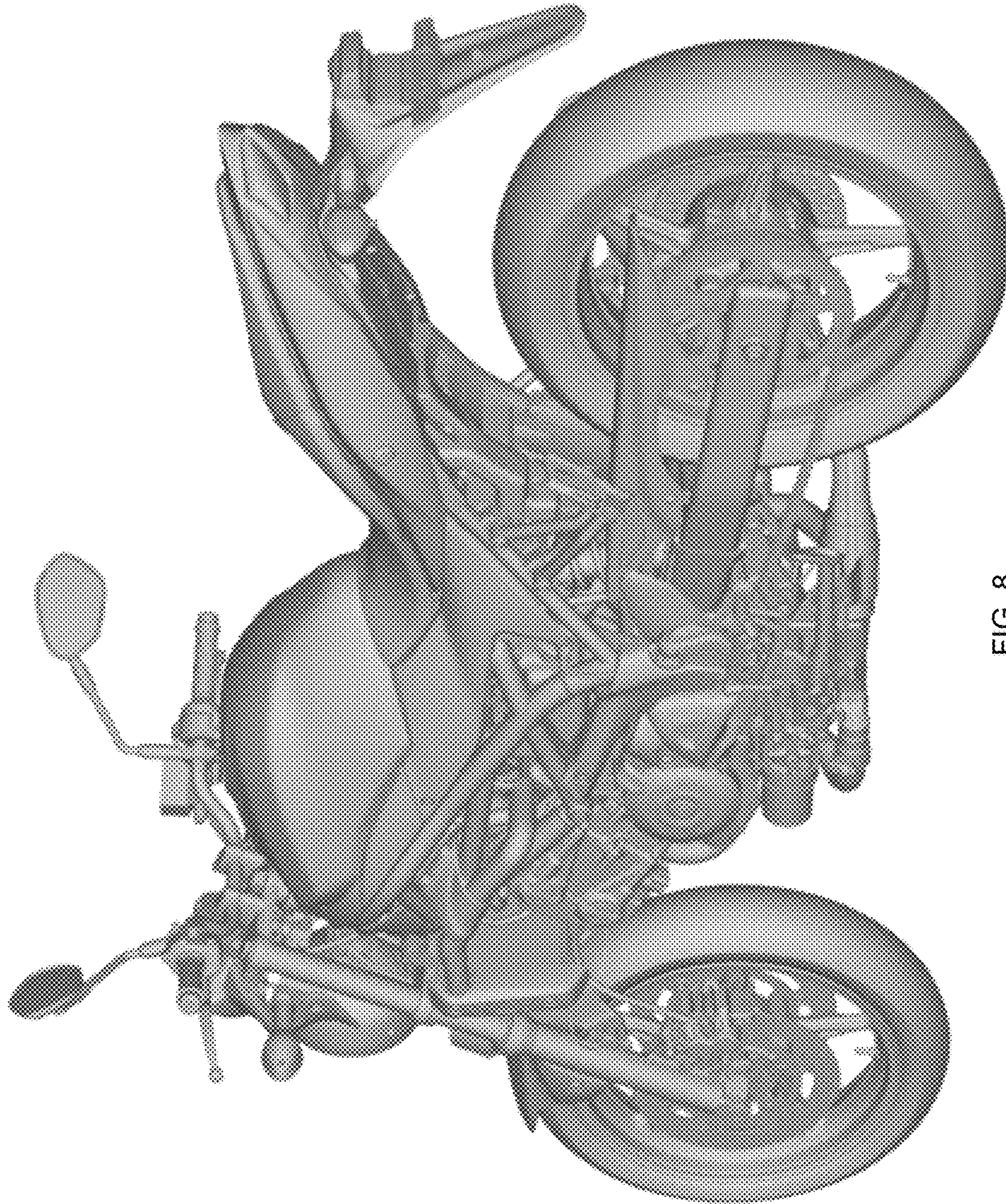


FIG. 8

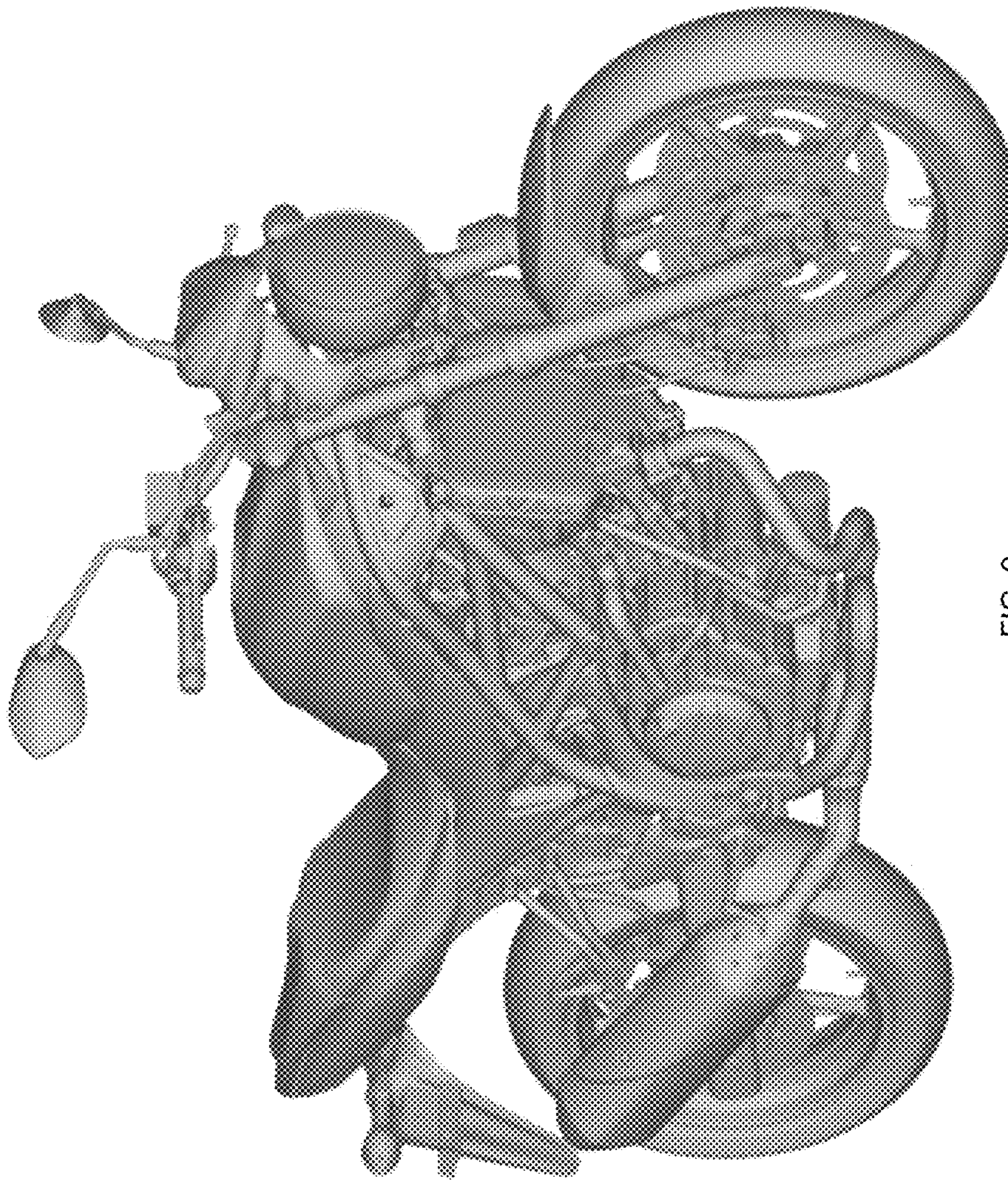


FIG. 9

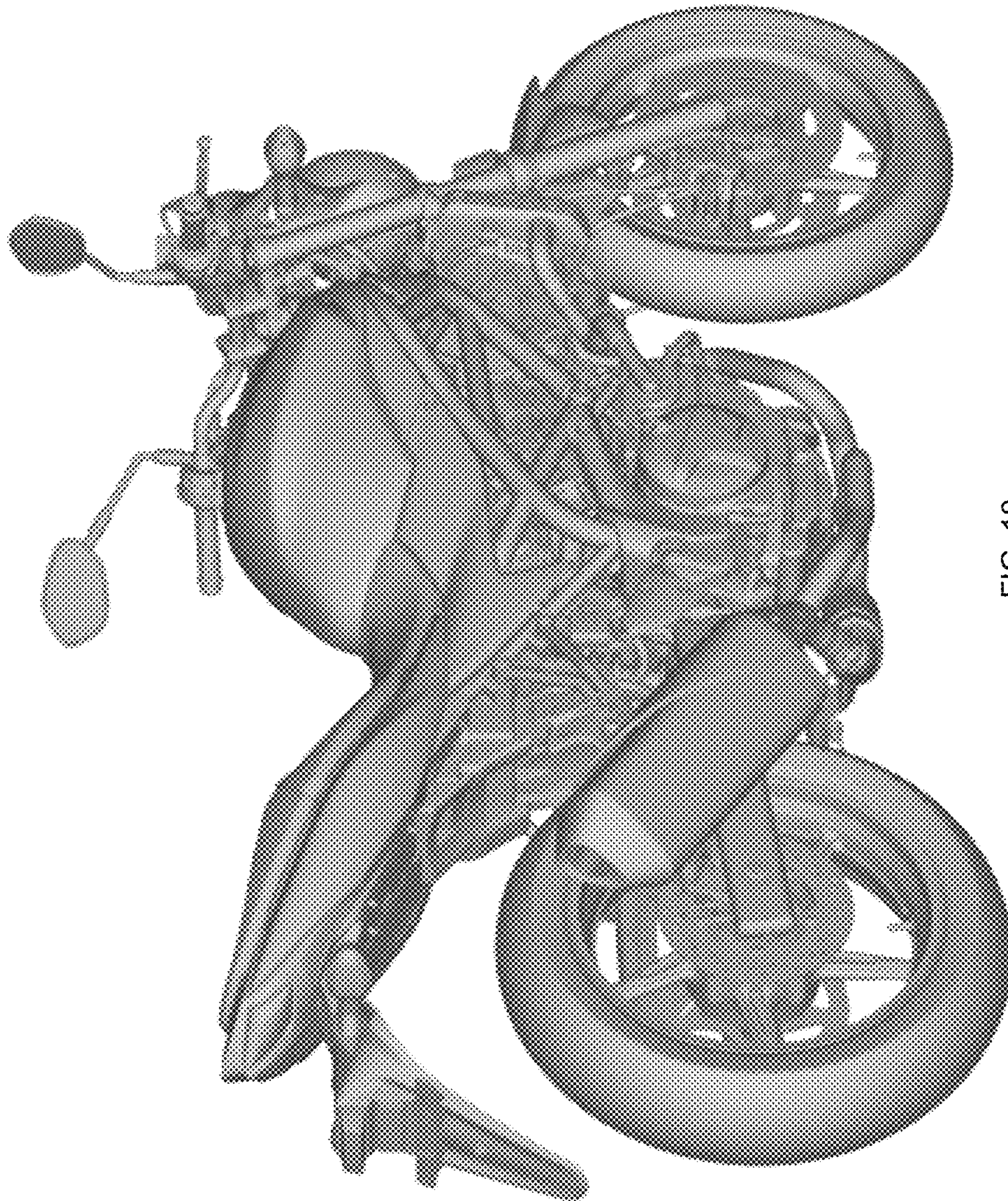


FIG. 10