



US00D793284S

(12) **United States Design Patent** (10) **Patent No.:** **US D793,284 S**
Swartz (45) **Date of Patent:** **** Aug. 1, 2017**

- (54) **CART**
- (71) Applicant: **Swartz Group LLC**, Lexington, KY (US)
- (72) Inventor: **Rocky Swartz**, Lexington, KY (US)
- (73) Assignee: **Swartz Group LLC**, Lexington, KY (US)
- (**) Term: **15 Years**
- (21) Appl. No.: **29/564,587**
- (22) Filed: **May 13, 2016**

Related U.S. Application Data

- (62) Division of application No. 29/499,049, filed on Aug. 11, 2014, now Pat. No. Des. 759,548.
- (51) **LOC (10) Cl.** **12-10**
- (52) **U.S. Cl.**
USPC **D12/105**
- (58) **Field of Classification Search**
USPC D12/100-106, 19, 129, 111-112;
D21/425, 435; D34/21-26, 12, 16-19
CPC B62D 35/02; B62D 35/00; B60P 3/1033;
B60P 3/10; A62B 3/005
See application file for complete search history.

(56) **References Cited**

U.S. PATENT DOCUMENTS

- D251,490 S * 4/1979 Cullen, Jr. D12/105
- D268,257 S * 3/1983 Horton D12/105

- D295,272 S * 4/1988 Specht D12/105
- D325,549 S * 4/1992 Jarvis D12/105
- D352,722 S * 11/1994 Mandell D12/105
- D357,214 S * 4/1995 McCaffrey D12/105
- D362,417 S * 9/1995 Curtis D12/101
- D396,023 S * 7/1998 Mello D12/105
- D566,626 S * 4/2008 Sakata D12/110
- D690,621 S * 10/2013 Rose D12/105

* cited by examiner

Primary Examiner — Katrina A Betton

(74) *Attorney, Agent, or Firm* — King & Schickli, PLLC

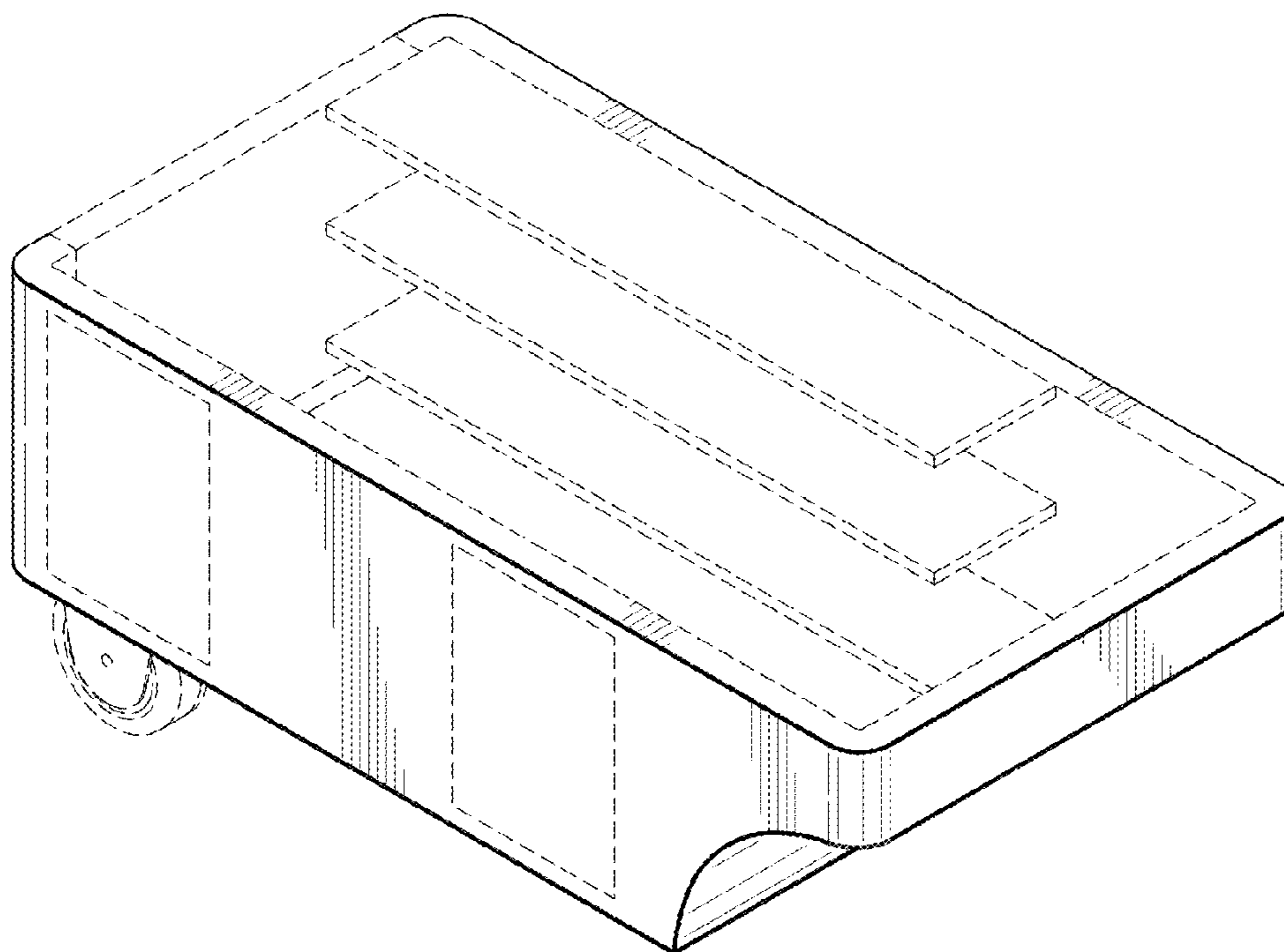
(57) **CLAIM**

The ornamental design for a cart, as shown and described.

DESCRIPTION

FIG. 1 is a side elevation view of a cart of the present invention;
 FIG. 2 is a perspective view thereof;
 FIG. 3 is rear elevation view thereof;
 FIG. 4 is a further side elevation view thereof;
 FIG. 5 is a front elevation view thereof;
 FIG. 6 is a top plan view thereof; and,
 FIG. 7 is a bottom plan view thereof.
 The broken lines illustrate environmental matter and portions of the cart which form no part of the claimed design.

1 Claim, 4 Drawing Sheets



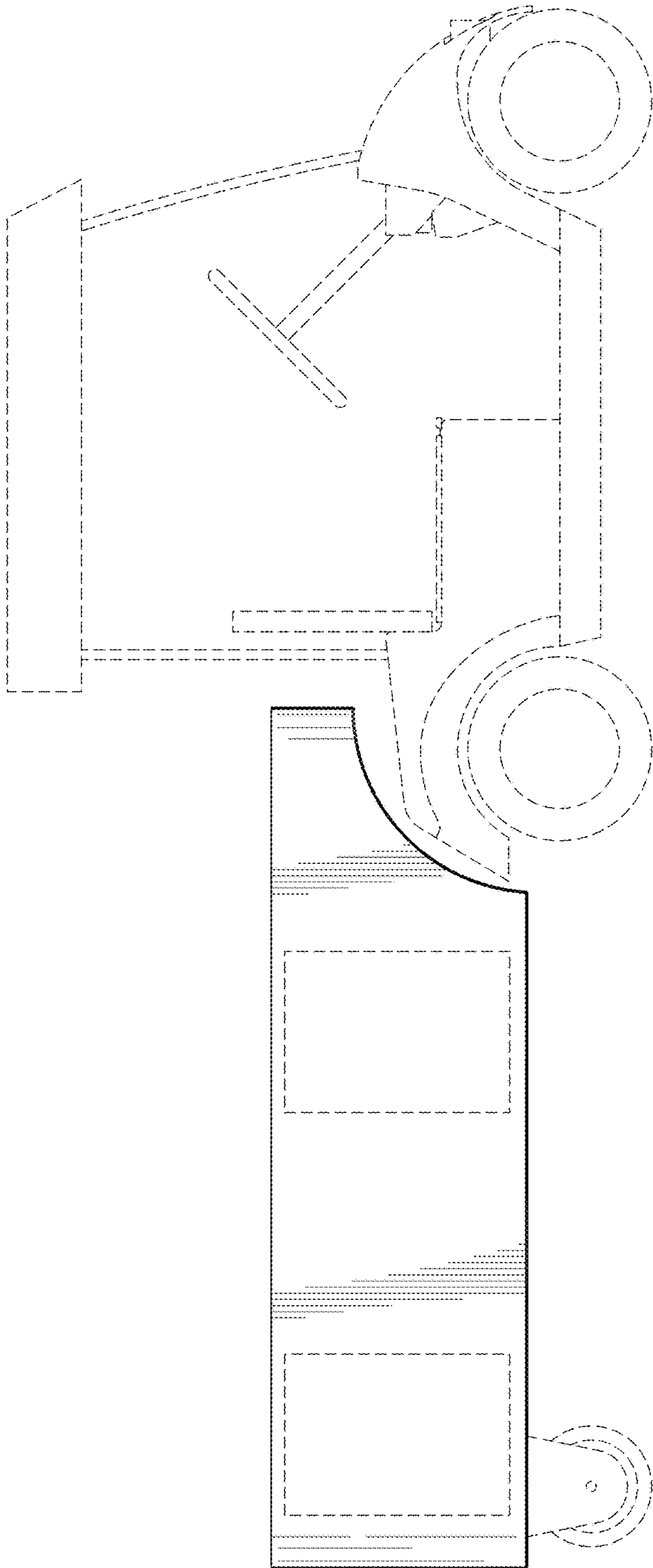


FIG. 1

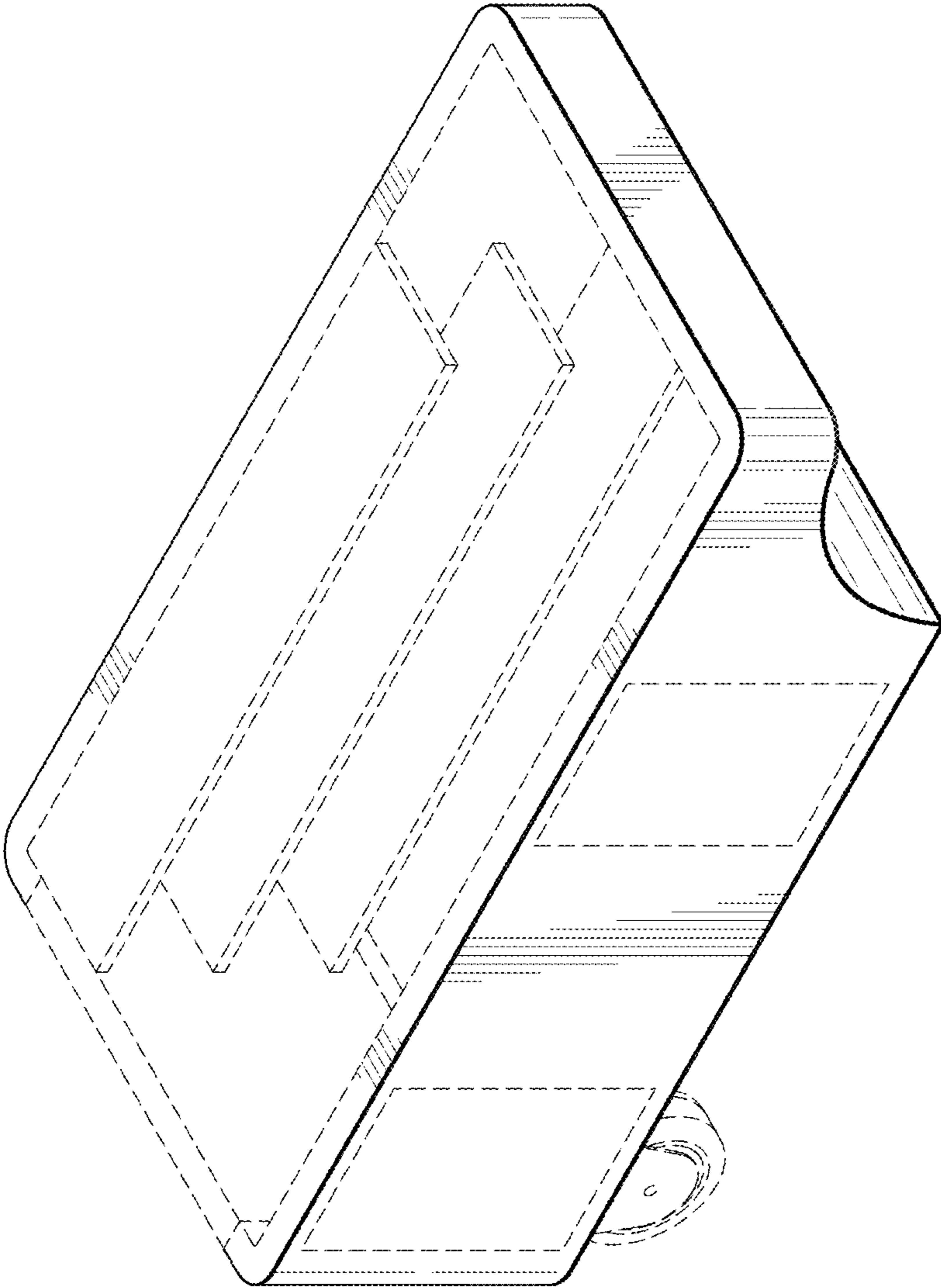


FIG. 2

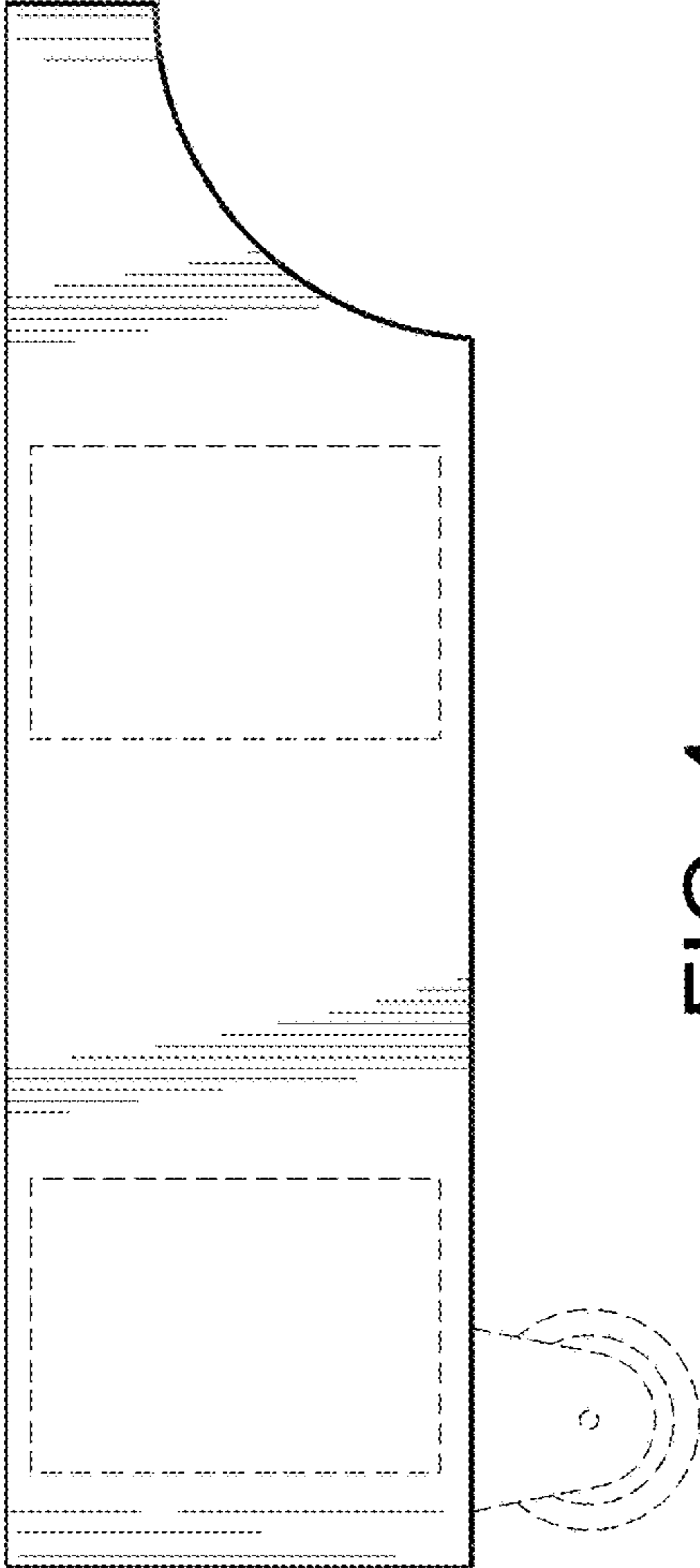


FIG. 4

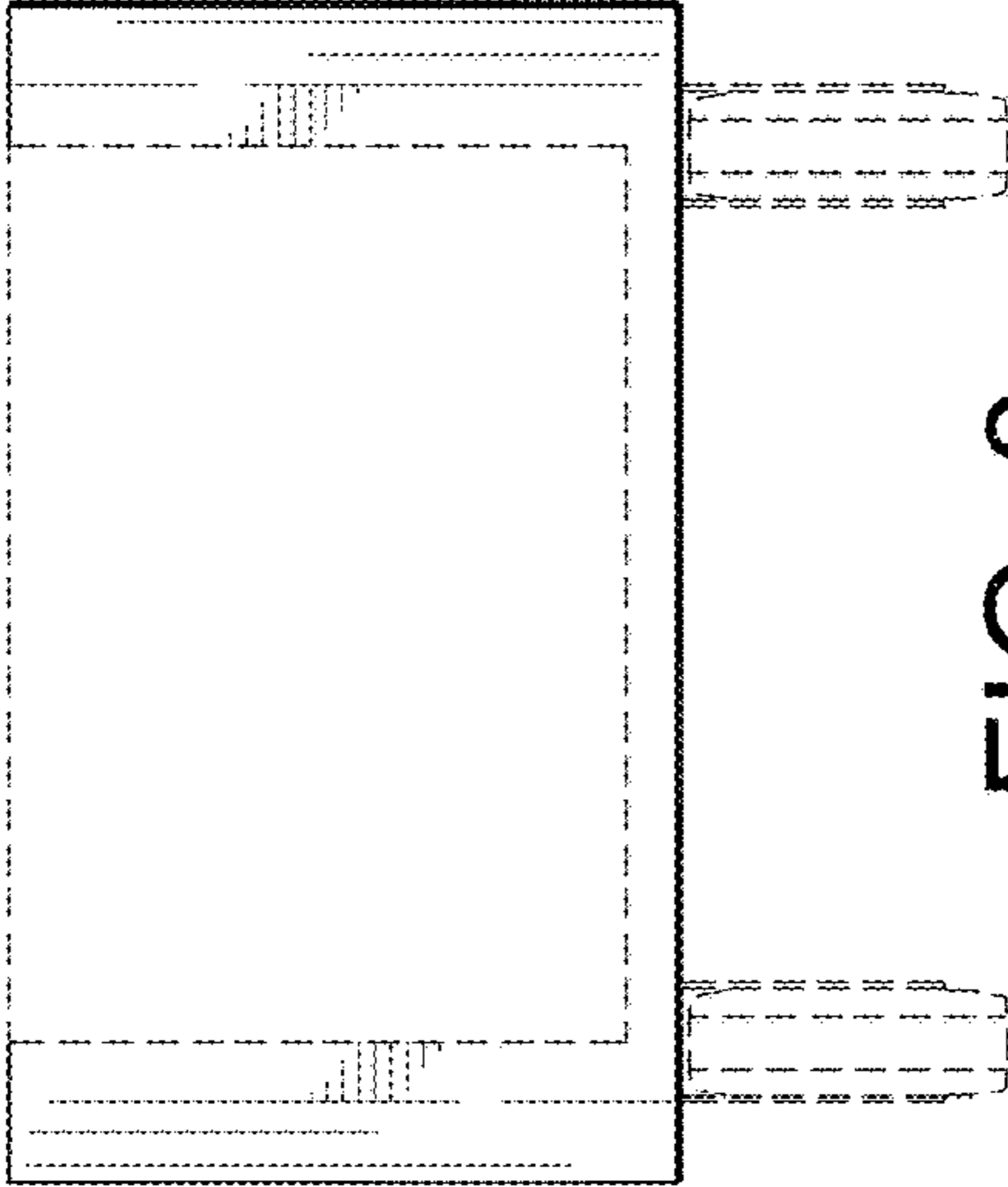


FIG. 3

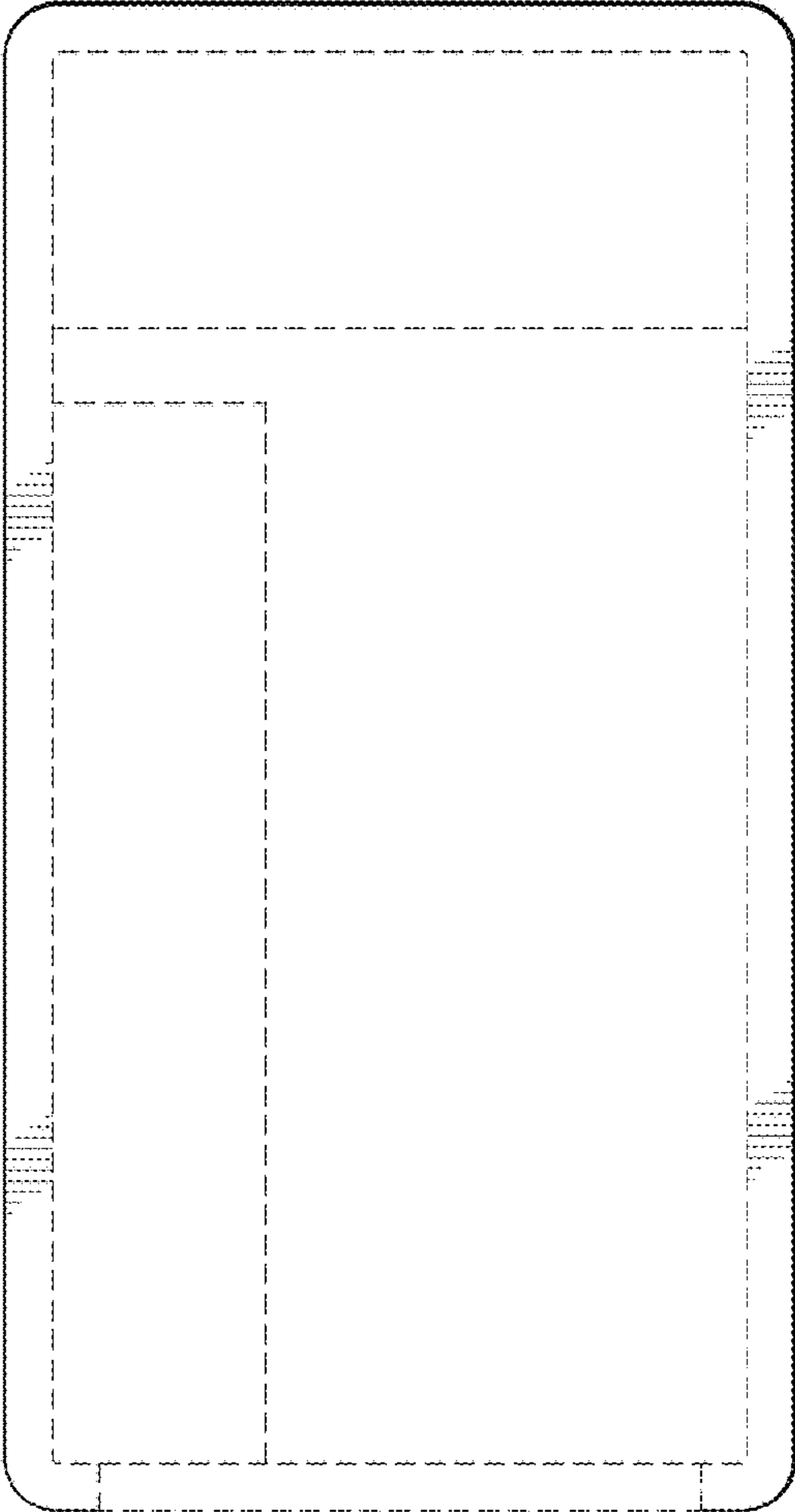


FIG. 6

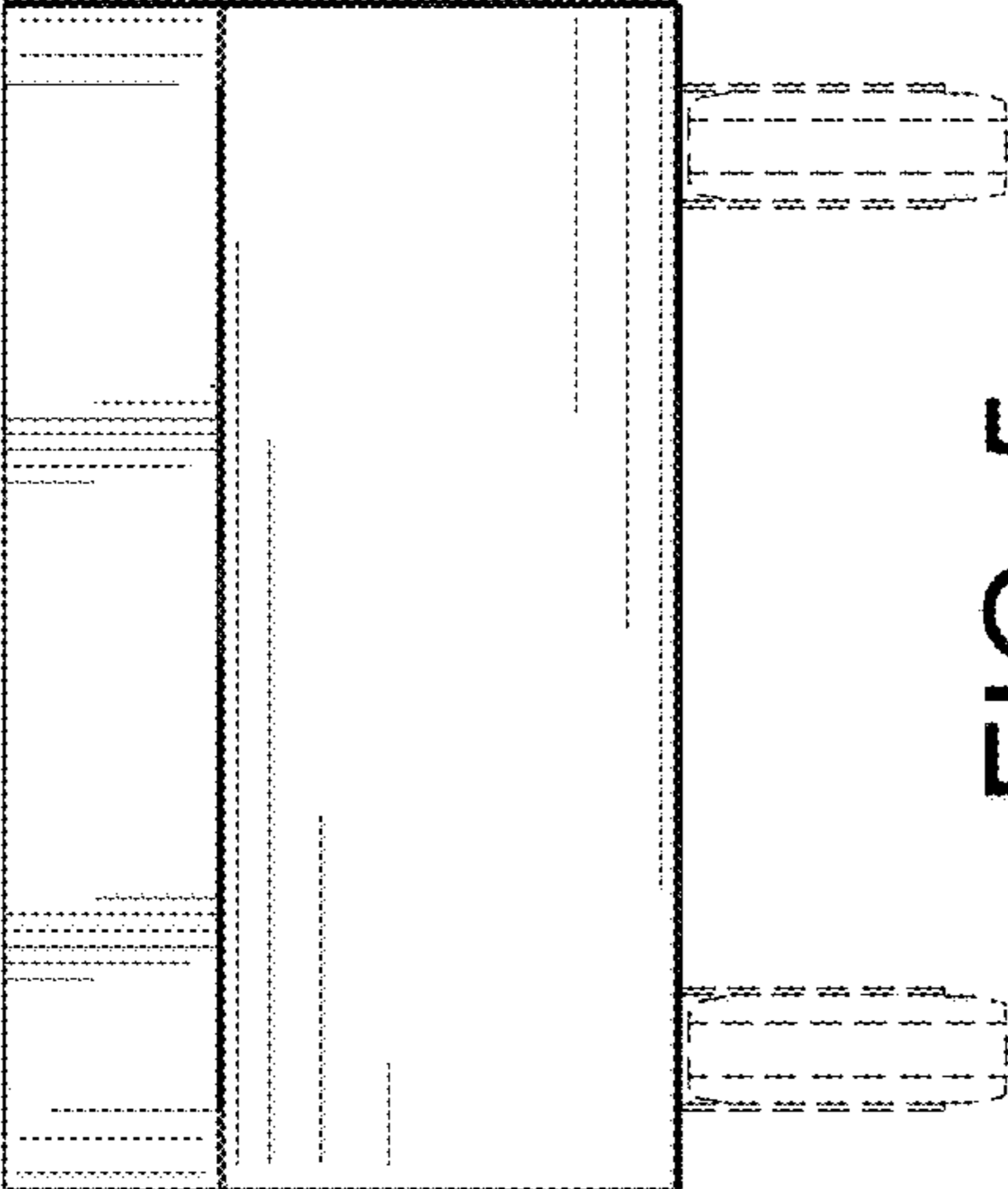


FIG. 5

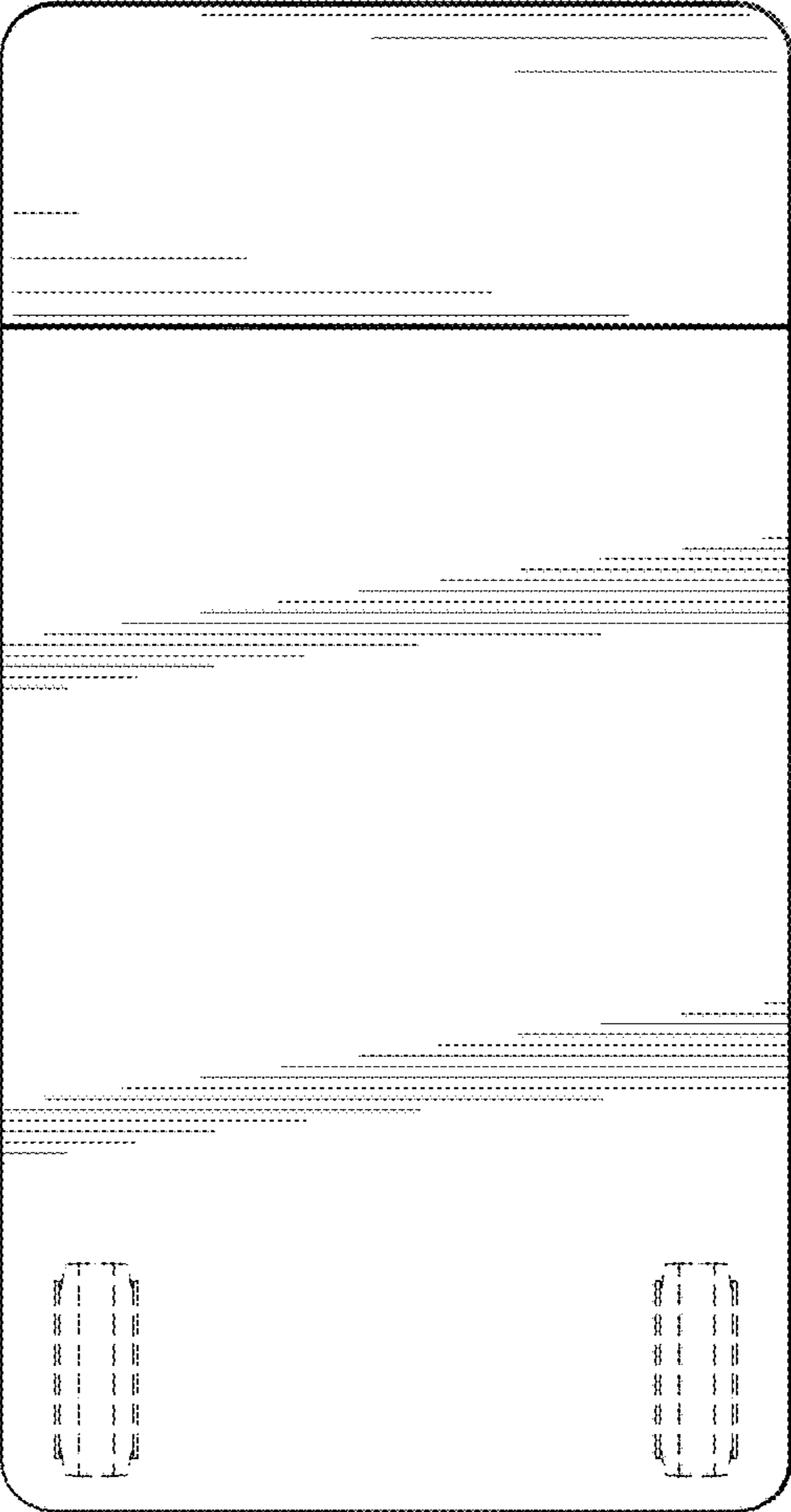


FIG. 7