



US00D793283S

(12) **United States Design Patent** (10) **Patent No.:** **US D793,283 S**  
**Woodhouse et al.** (45) **Date of Patent:** **\*\* Aug. 1, 2017**

(54) **VEHICLE EXTERIOR**

(56) **References Cited**

(71) Applicant: **Ford Global Technologies, LLC**,  
Dearborn, MI (US)  
(72) Inventors: **David Woodhouse**, Troy, MI (US);  
**Earl C. Lucas**, Southfield, MI (US);  
**Solomon H. Song**, Farmington Hills,  
MI (US); **David C. Mahoney**, Orchard  
Lake, MI (US); **Jaewoo Chang**, Novi,  
MI (US); **Nonthawat Kongsarai**,  
Melbourne (AU); **Viet Nguyen**,  
Madison Heights, MI (US); **Mark  
Kaski**, Royal Oak, MI (US)

U.S. PATENT DOCUMENTS

D725,550 S	*	3/2015	Wolff	.....	D12/91
D727,210 S	*	4/2015	Grake	.....	D12/91
D728,424 S	*	5/2015	Rupar	.....	D12/91
D728,426 S	*	5/2015	Di Buduo	.....	D12/91
D736,120 S	*	8/2015	Blanski	.....	D12/91
D741,224 S	*	10/2015	Rupar	.....	D12/91
D741,752 S	*	10/2015	Messale	.....	D12/91
D743,303 S	*	11/2015	Huang	.....	D12/91
D746,175 S	*	12/2015	Wolff	.....	D12/91
D754,563 S	*	4/2016	Behmer	.....	D12/91
D770,942 S	*	11/2016	Woodhouse	.....	D12/92

\* cited by examiner

*Primary Examiner* — Melody N Brown

(73) Assignee: **Ford Global Technologies, LLC**,  
Dearborn, MI (US)

(74) *Attorney, Agent, or Firm* — Damian Porcari

(\*\*) Term: **15 Years**

(57) **CLAIM**

The ornamental design for a vehicle exterior, as shown and described.

(21) Appl. No.: **29/558,434**

**DESCRIPTION**

(22) Filed: **Mar. 17, 2016**

(51) **LOC (10) Cl.** ..... **12-08**

(52) **U.S. Cl.**  
USPC ..... **D12/91**

(58) **Field of Classification Search**  
USPC ..... D12/86, 90-92, 88; D21/421, 433, 434;  
296/181.1, 181.5  
CPC ..... B62D 35/00; B62D 25/00; B62D 25/06;  
B62D 33/00  
See application file for complete search history.

FIG. 1 is a top, front and left side perspective view of a vehicle exterior showing our new design;  
FIG. 2 is a top, rear and left side perspective view thereof;  
FIG. 3 is a front elevational view thereof;  
FIG. 4 is a rear elevational view thereof;  
FIG. 5 is a left side elevational view thereof;  
FIG. 6 is a right side elevational view thereof; and,  
FIG. 7 is a top plan view thereof.

**1 Claim, 7 Drawing Sheets**

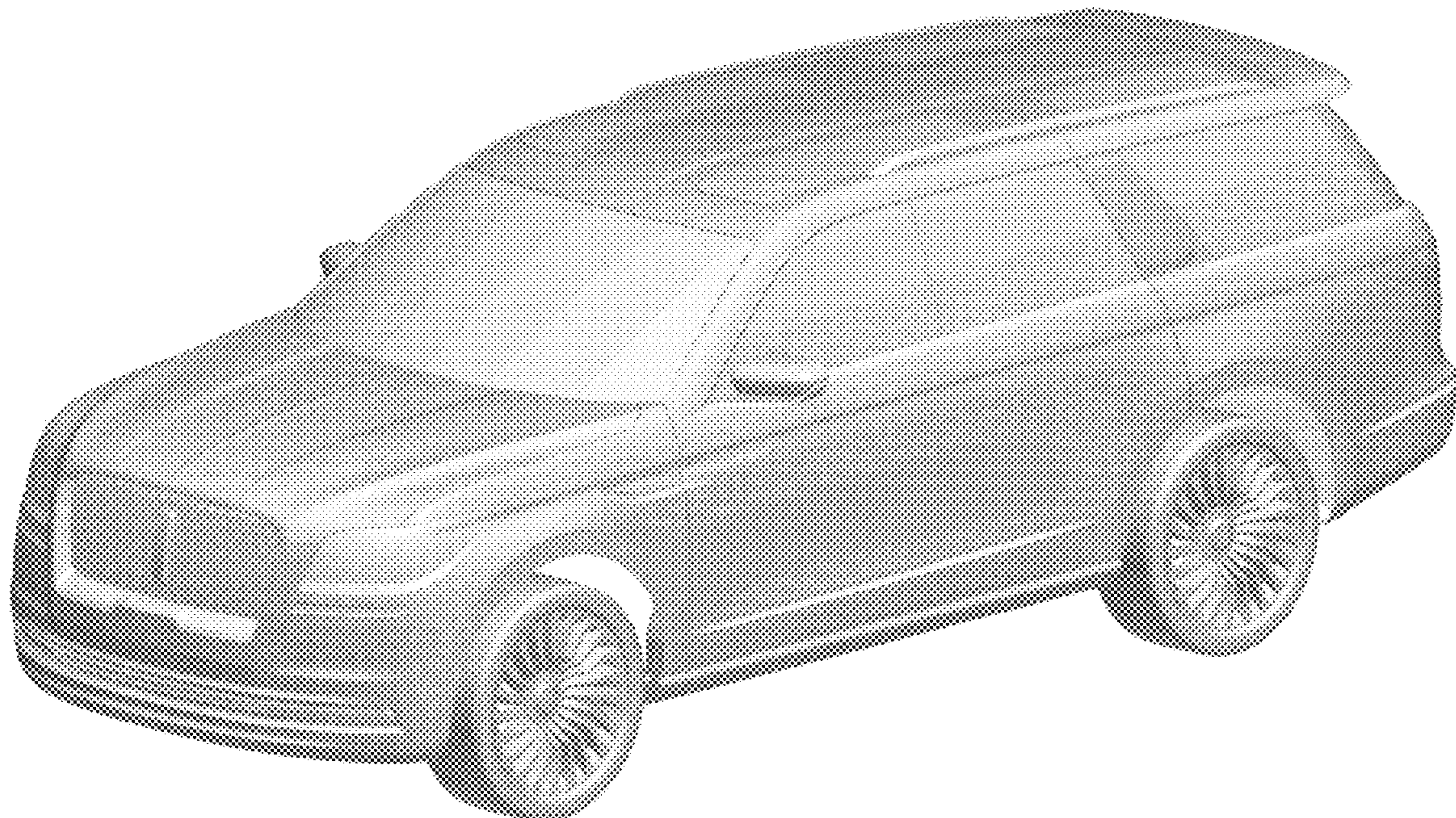




Figure 1

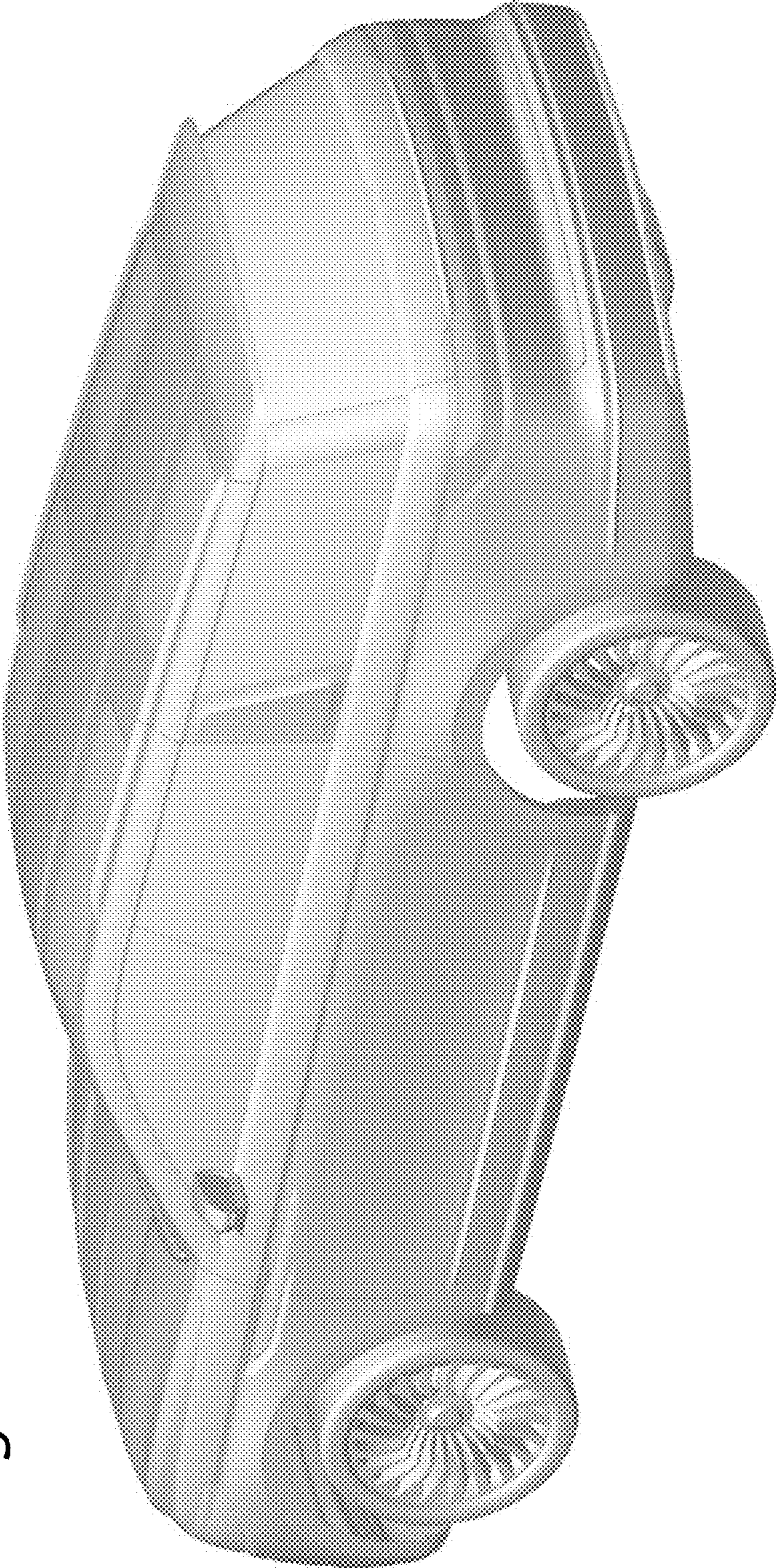


Figure 2

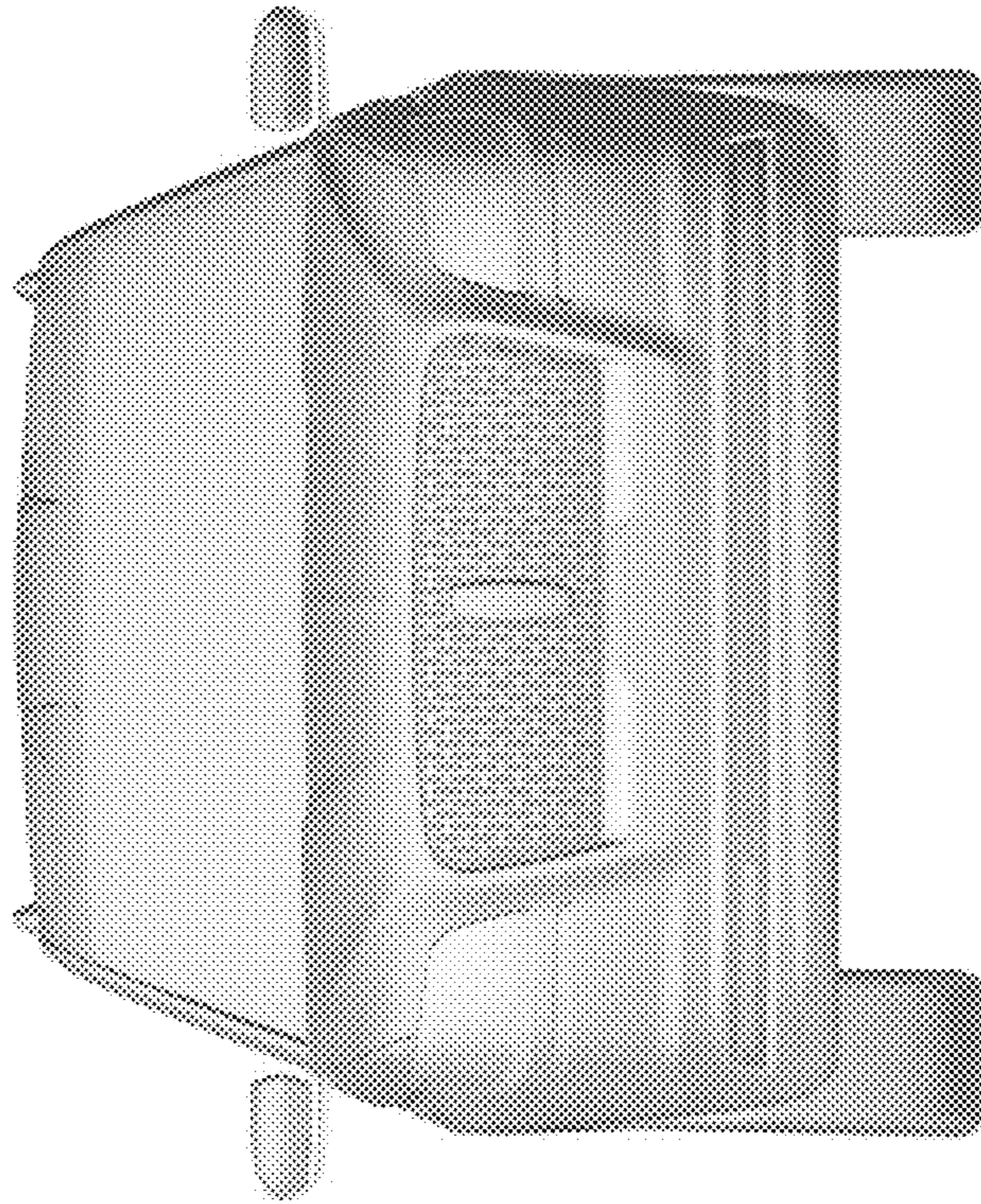


Figure 3

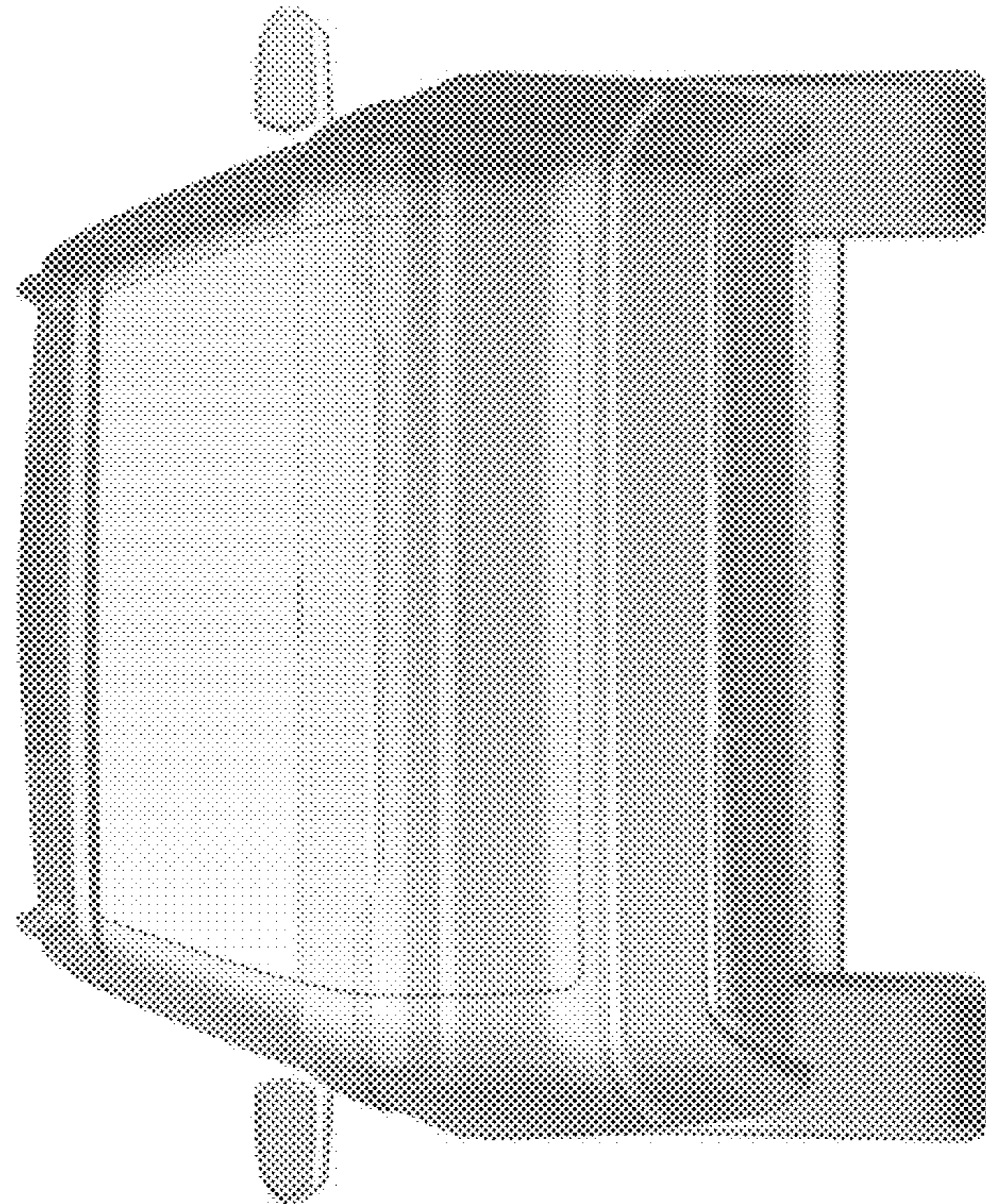


Figure 4



Figure 5



Figure 6

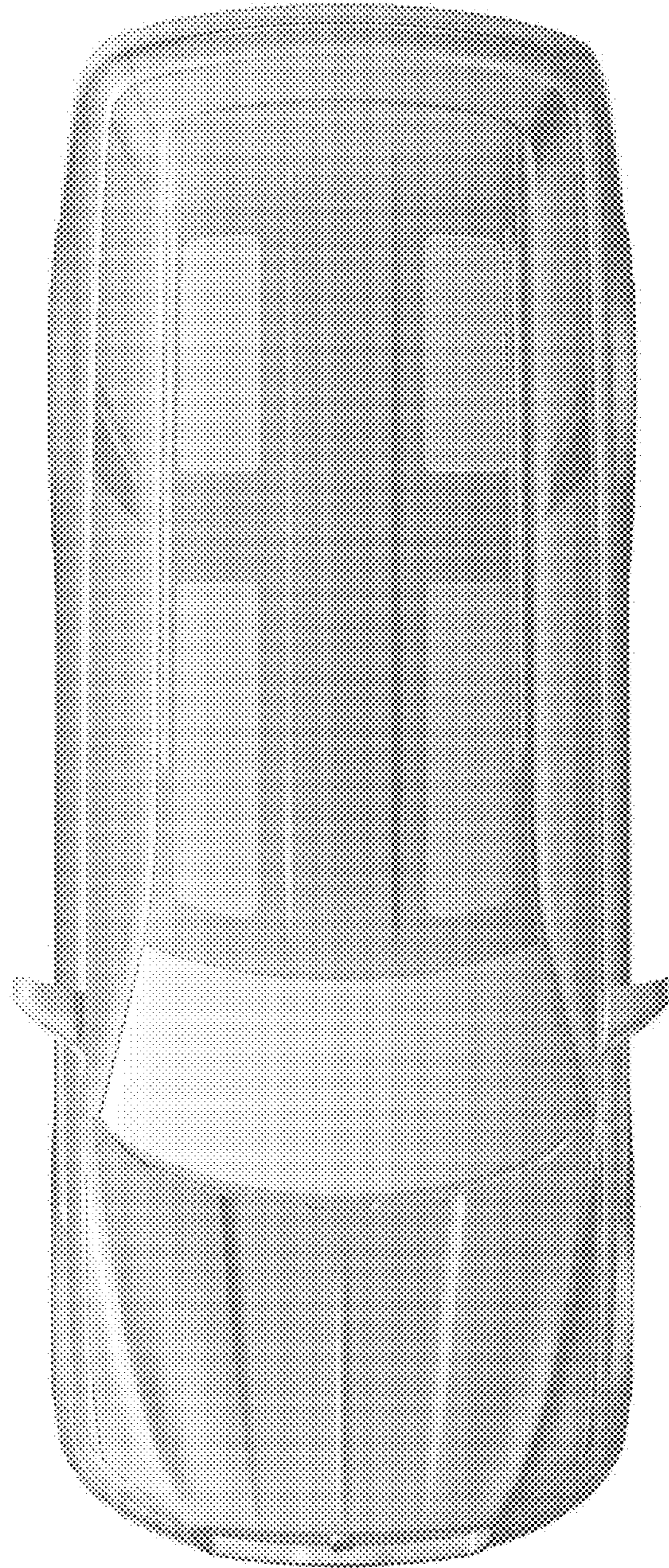


Figure 7