



US00D793280S

(12) **United States Design Patent** (10) **Patent No.:** **US D793,280 S**
Petty (45) **Date of Patent:** **** Aug. 1, 2017**

- (54) **RACECAR BOBBLE NOVELTY**
- (71) Applicant: **Douglas Petty**, Abingdon, MD (US)
- (72) Inventor: **Douglas Petty**, Abingdon, MD (US)
- (**) Term: **15 Years**
- (21) Appl. No.: **29/557,868**
- (22) Filed: **Mar. 14, 2016**
- (51) **LOC (10) Cl.** **11-02**
- (52) **U.S. Cl.**
USPC **D11/163**
- (58) **Field of Classification Search**
USPC D11/157, 163, 164; D21/320, 359, 548,
D21/549; D12/199, 200, 162, 400, 401;
D26/51, 57, 93, 94, 97; D99/5, 34-37
CPC A47G 33/004; G09F 19/00
See application file for complete search history.

(56) **References Cited**

U.S. PATENT DOCUMENTS

D200,647 S *	3/1965	Richardson	D11/163
D267,636 S *	1/1983	Allgood, II	D11/157
D295,269 S *	4/1988	Allgood, II	D11/157
D296,309 S *	6/1988	Allgood, II	D11/158
5,322,739 A *	6/1994	Stagl	A47G 33/004 428/542.4
D413,422 S *	8/1999	Colbert	D99/30
D432,036 S *	10/2000	Arnold	D10/104.1
D443,401 S *	6/2001	Arnold	D99/30
D456,321 S *	4/2002	Sammons	D12/162
D493,751 S *	8/2004	Brabant, Sr.	D12/162
D548,669 S *	8/2007	Mathis	D12/400
D603,839 S *	11/2009	Willis	D14/217
D621,976 S *	8/2010	Langley	D26/8

OTHER PUBLICATIONS

4 Inch Stock Car Figure, available Mar. 16, 2015, [online], [site visited Mar. 16, 2017]. Available from internet, <URL: https://web.

archive.org/web/20150316213553/http://www.tagstrophies.com/index.php?l=product_detail&p=865.*
 Pinewood Derby and Car Show Race Trophy, available Sep. 9, 2016, [online], [site visited Mar. 16, 2017]. Available from internet, <URL: https://web.archive.org/web/20160909004106/http://www.kingcustom.net/Pinewood-Derby-and-Car-Show-Race-Trophy-B1_p_747.html.*
 Metal Ford Mustang Trophy, available Mar. 9, 2016, [online], [site visited Mar. 16, 2017]. Available from internet, <URL: http://www.ebay.com/itm/METAL-FORD-MUSTANG-TROPHY-METAL-FORD-MUSTANG-CAR-TROPHY-TOP-TOPS-TOPPER-PARTS-/151615706057.*
 Vintage sedan trophy, available Dec. 10, 2016, [online], [site visited Mar. 16, 2017]. Available from internet, <URL: https://www.etsy.com/listing/286736057/vintage-sedan-trophy-mid-century-sports?ref=market.*

* cited by examiner

Primary Examiner — Cathron Brooks
Assistant Examiner — Teddy Falloway
 (74) *Attorney, Agent, or Firm* — Joseph E. Maenner;
 Maenner & Associates, LLC

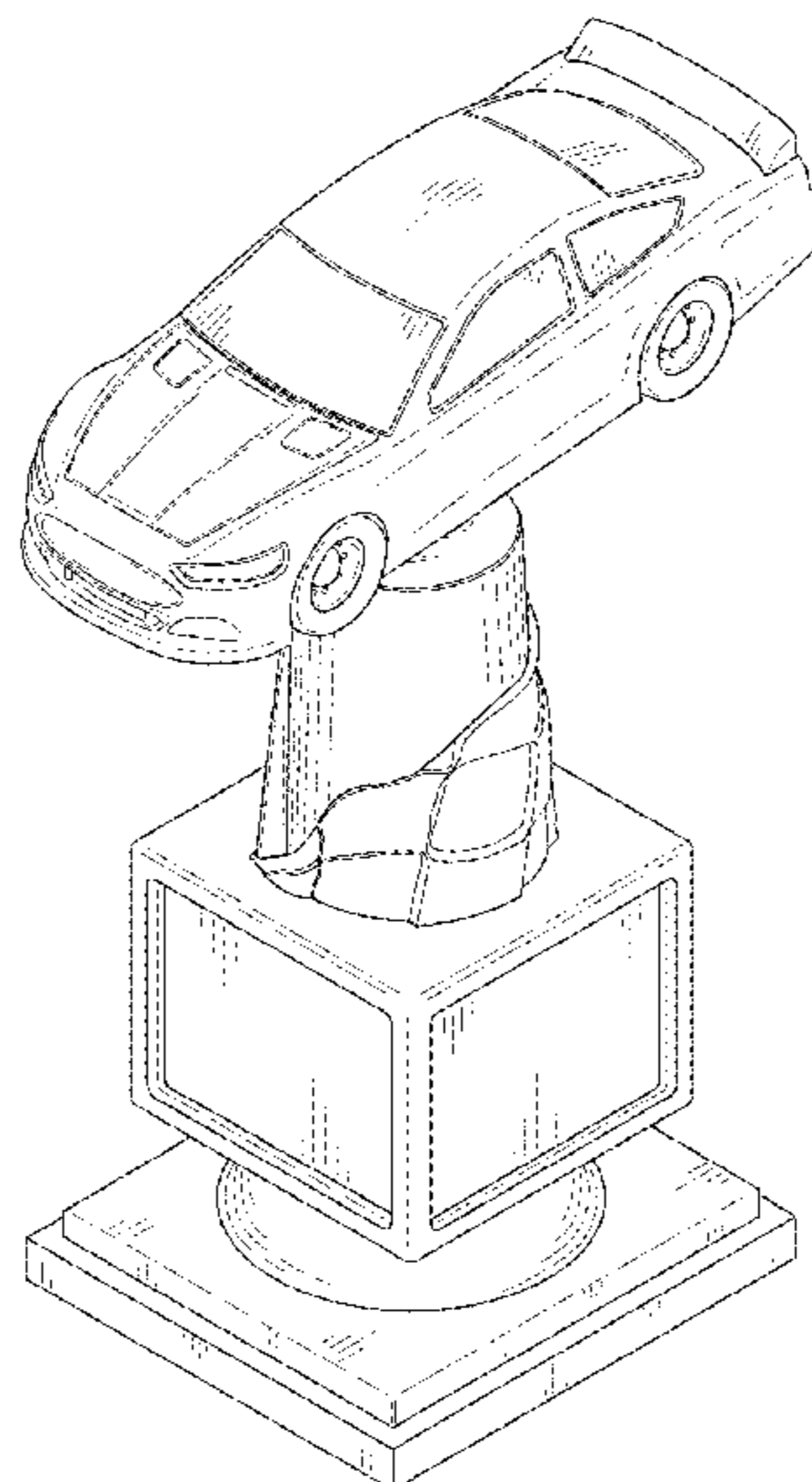
(57) **CLAIM**

The ornamental design for a racecar bobble novelty, as shown and described.

DESCRIPTION

FIG. 1 is a front perspective view of an ornamental design of a racecar bobble novelty showing my new design. FIG. 2 is a front side elevational view thereof. FIG. 3 is a rear side elevational view thereof. FIG. 4 is a right side elevational view thereof. FIG. 5 is a left side elevational view thereof; and, FIG. 6 is a top plan view thereof. The broken lines shown in FIGS. 1-5 illustrate portions of the racecar bobble novelty and form no part of the claimed design.

1 Claim, 5 Drawing Sheets



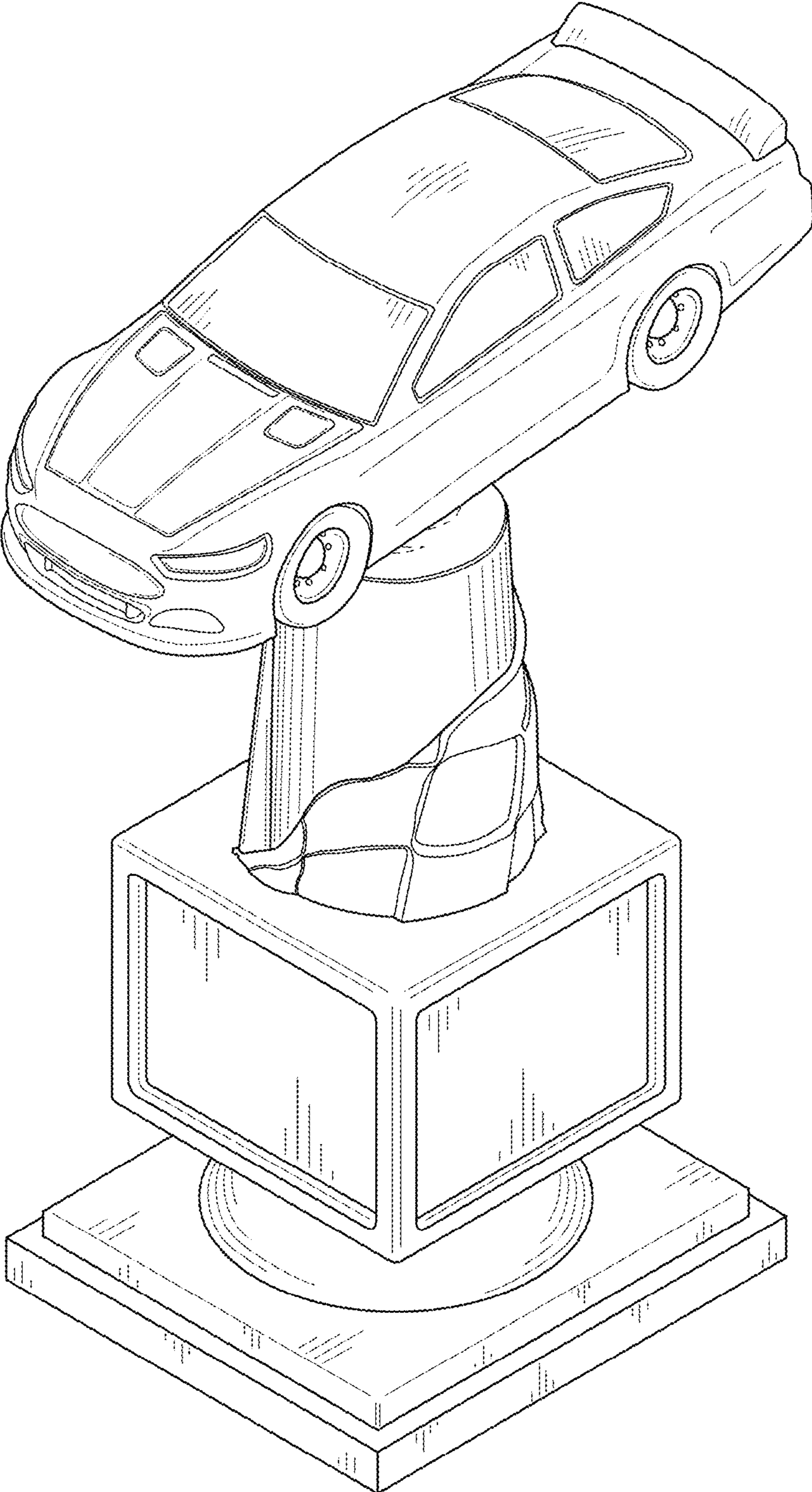


FIG. 1

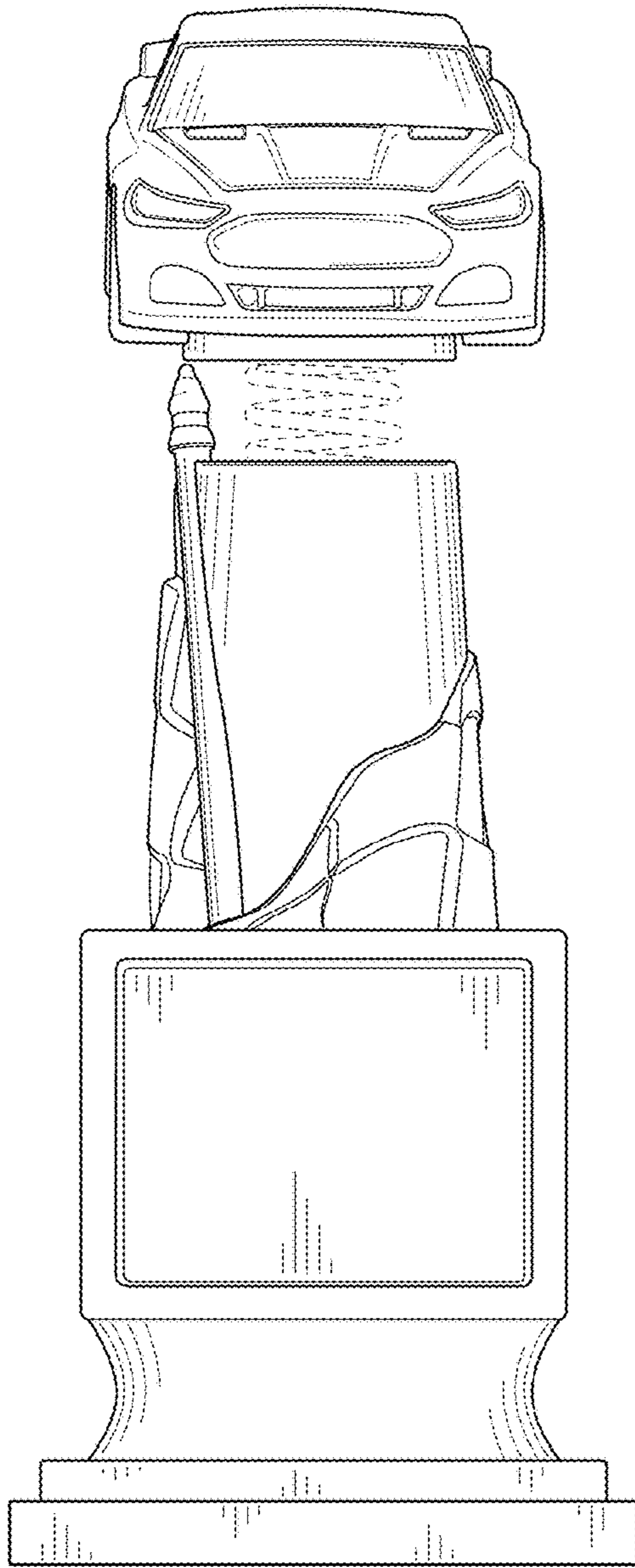


FIG. 2

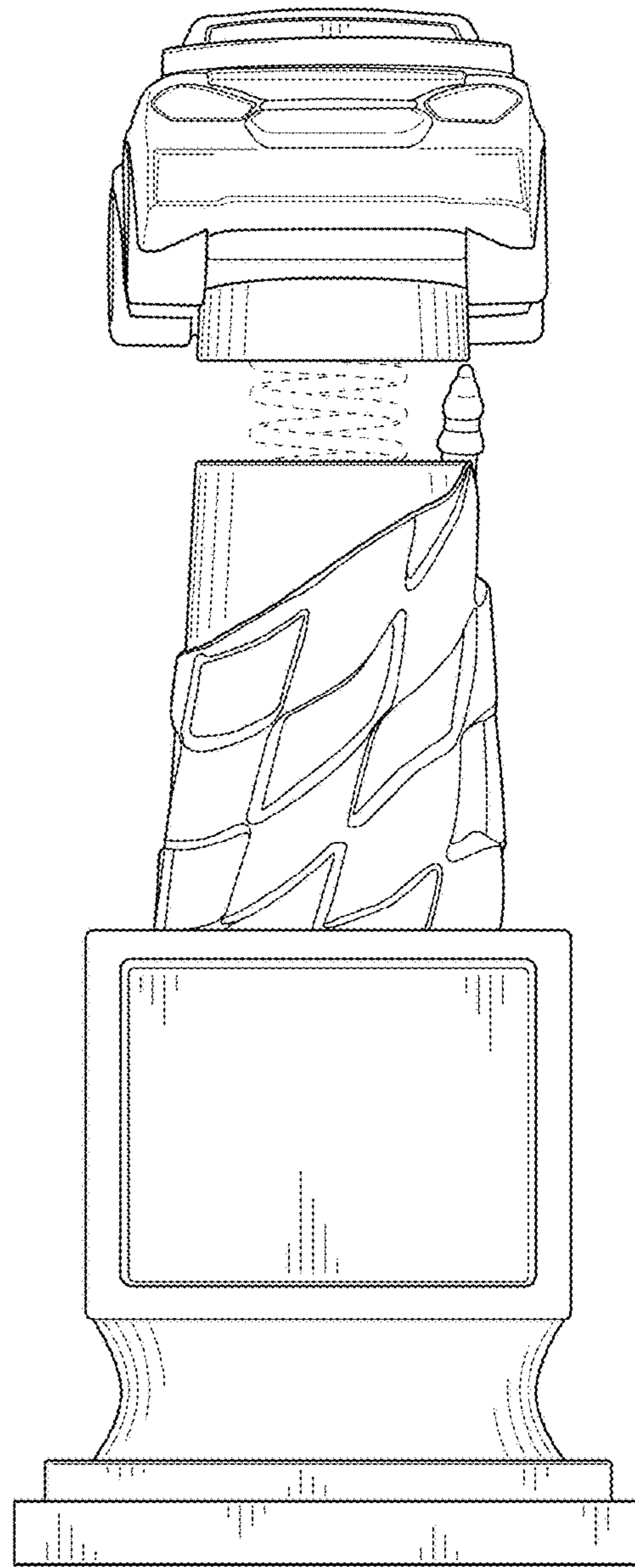


FIG. 3

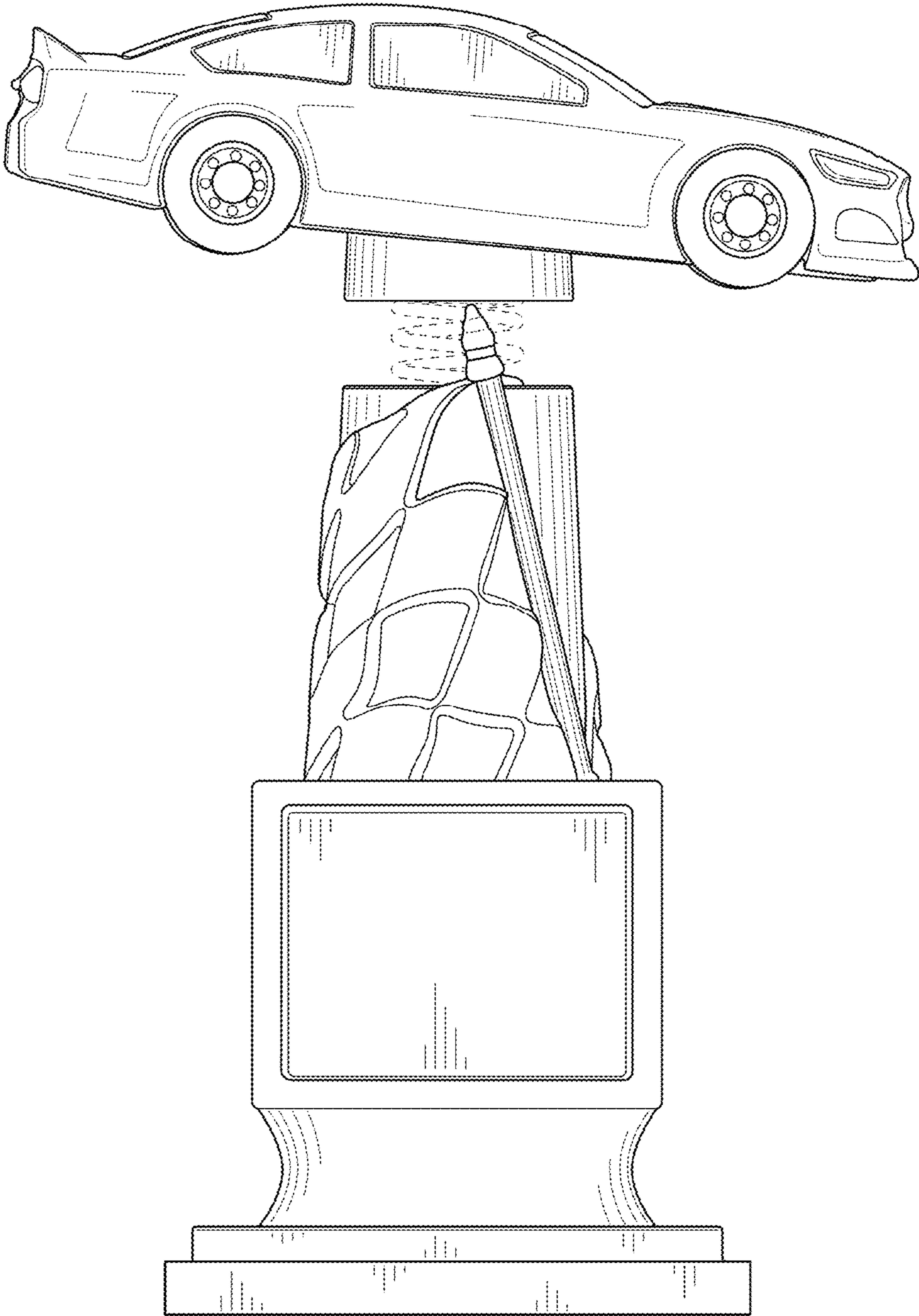


FIG. 4

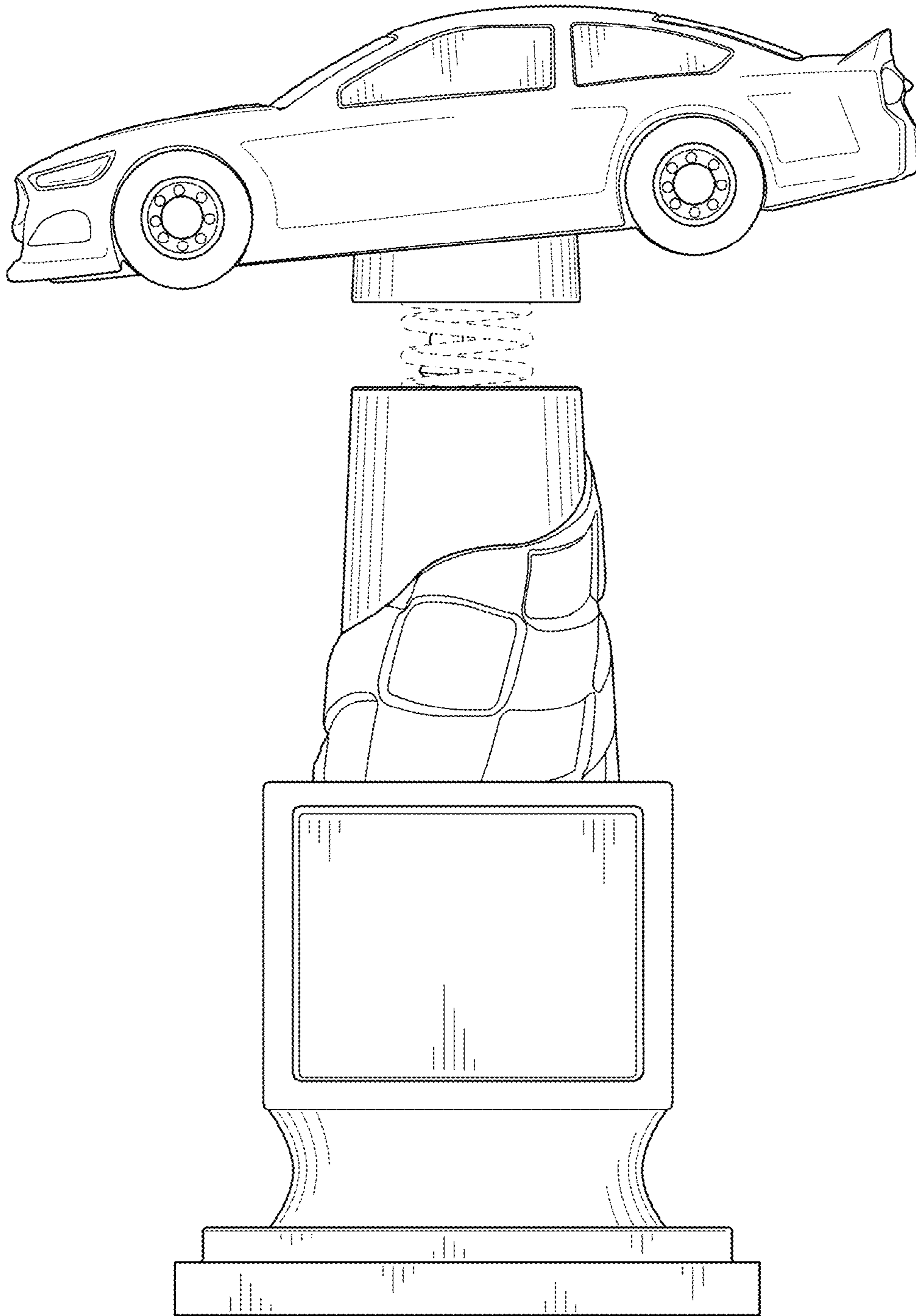


FIG. 5

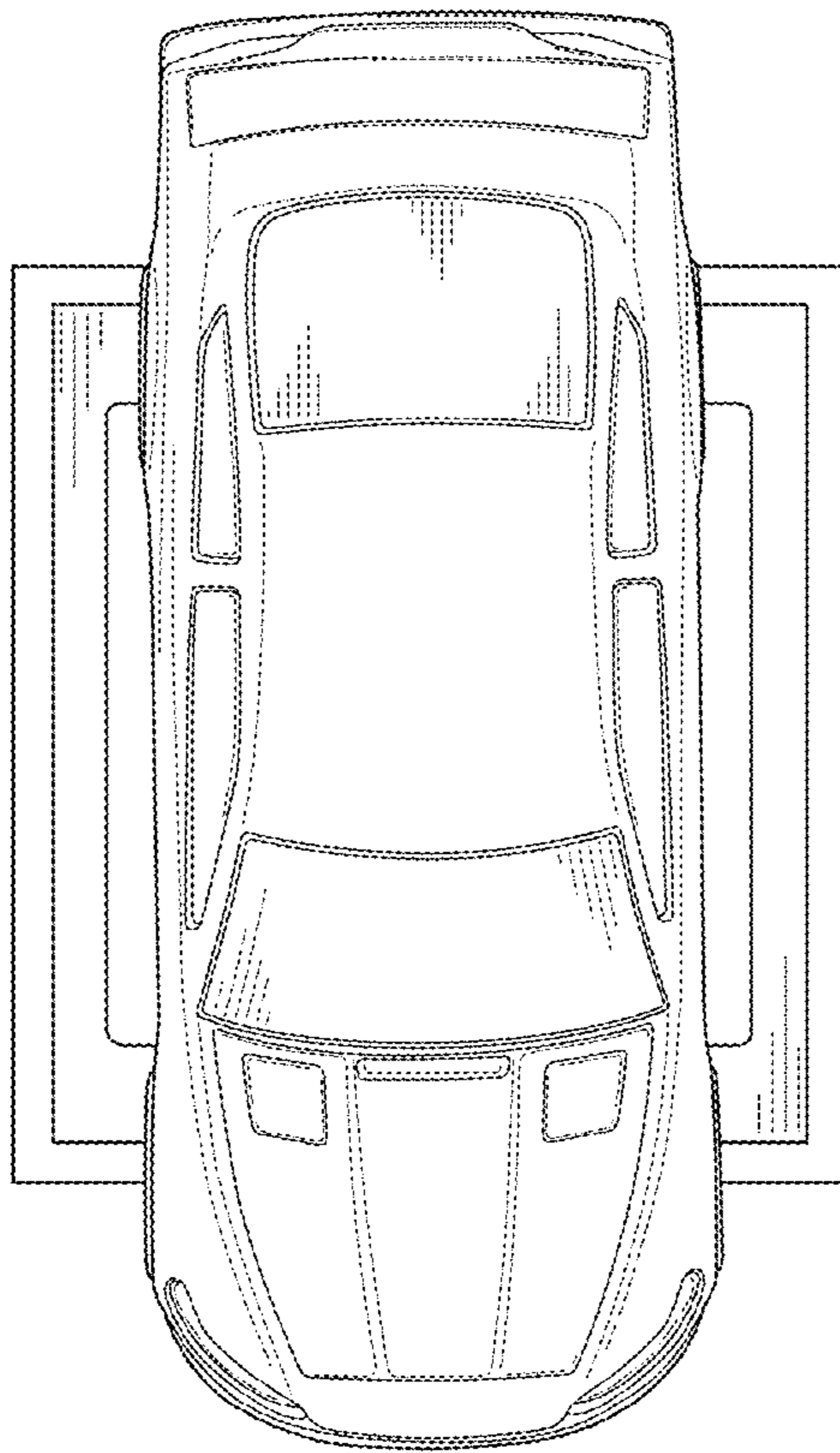


FIG. 6