



US00D793277S

(12) **United States Design Patent**
Dennis

(10) **Patent No.:** **US D793,277 S**

(45) **Date of Patent:** **** Aug. 1, 2017**

(54) **MAGNETIC CLASP FOR JEWELRY**

(71) Applicant: **ChainsN'Things LC.**, Las Vegas, NV
(US)

(72) Inventor: **Angela Marie Dennis**, Newport Beach,
CA (US)

(**) Term: **15 Years**

(21) Appl. No.: **29/546,855**

(22) Filed: **Nov. 25, 2015**

(51) **LOC (10) Cl.** **11-01**

(52) **U.S. Cl.**
USPC **D11/87**

(58) **Field of Classification Search**
USPC D11/1-2, 7, 40-44, 46-49, 53, 56, 57,
D11/59-61, 63, 65, 79-83, 86-87, 89-92,
D11/99, 101, 106, 114-116, 200-201;
63/3, 3.1, 12-14.9
CPC A44C 5/00; A44C 5/0007; A44C 5/14;
A44C 5/185; A44C 5/2057
See application file for complete search history.

(56) **References Cited**

U.S. PATENT DOCUMENTS

D561,636 S * 2/2008 Khubani D11/87
D601,915 S * 10/2009 Heroux D11/87

D737,170 S * 8/2015 Lafond D11/87
D741,740 S * 10/2015 DiPietro D11/87
D756,837 S * 5/2016 Dennis D11/87

* cited by examiner

Primary Examiner — *Zenia Bennett*

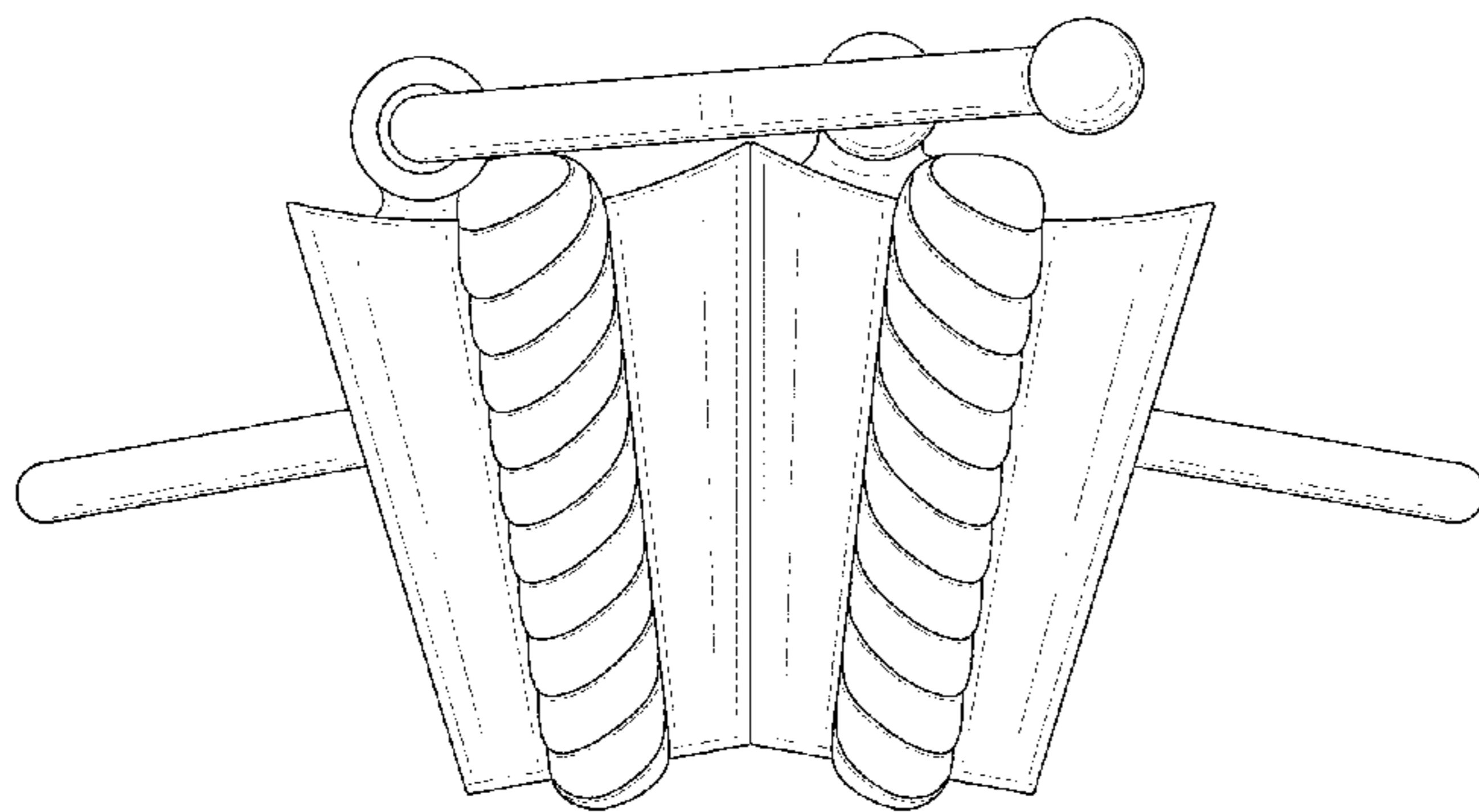
(57) **CLAIM**

The ornamental design for a magnetic clasp for jewelry, as shown and described.

DESCRIPTION

FIG. 1 is a front view of a magnetic clasp for jewelry;
FIG. 2 is a rear view thereof;
FIG. 3 is a first side view thereof;
FIG. 4 is a second side view thereof;
FIG. 5 is a top view thereof;
FIG. 6 is a bottom view thereof; and,
FIG. 7 is a perspective view of the magnetic clasp shown in use with a necklace.
The broken lines showing features of the magnetic clasp for jewelry are for illustrative purposes only and form no part of the claimed design.

1 Claim, 6 Drawing Sheets



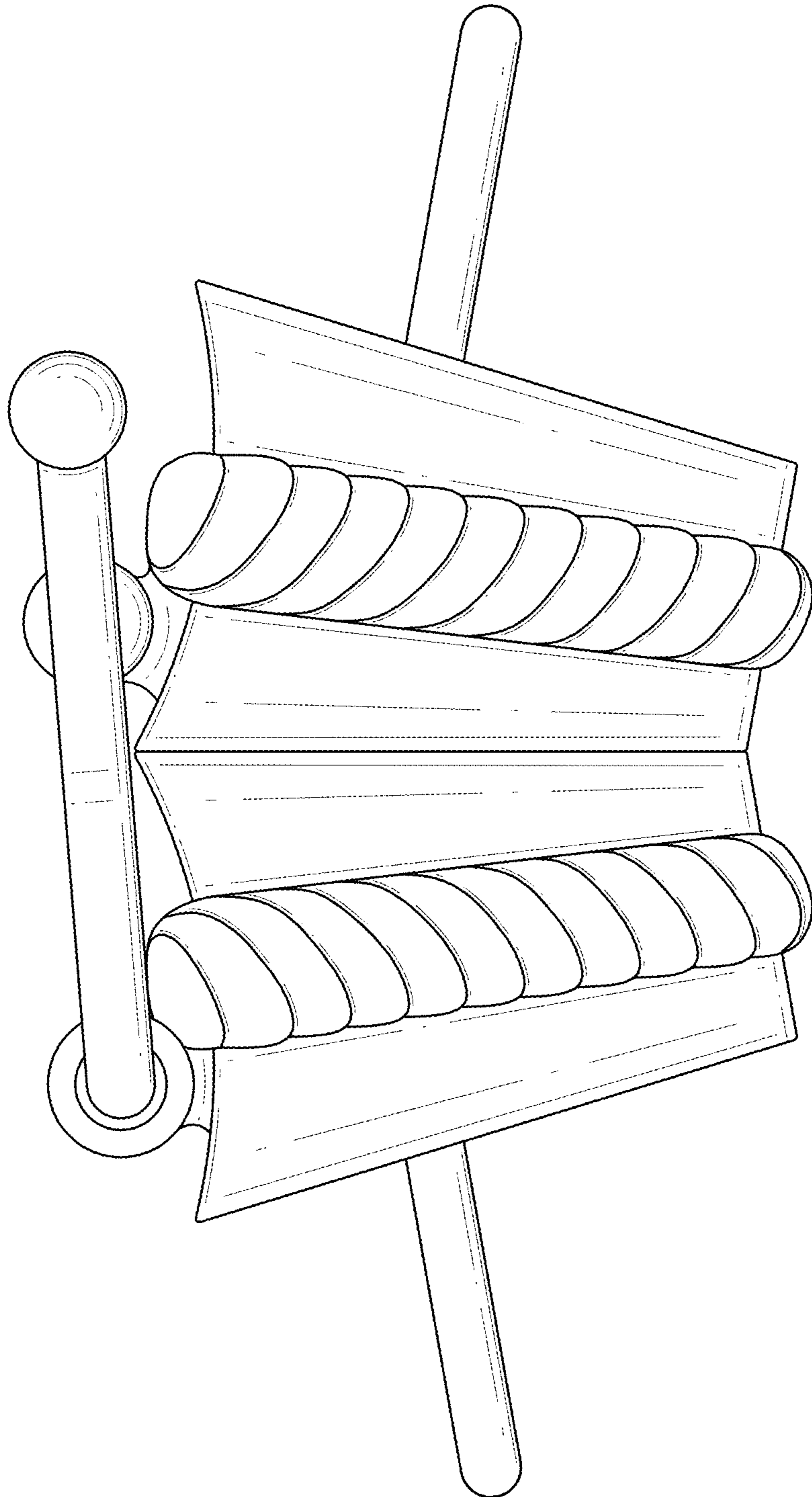


FIG. 1

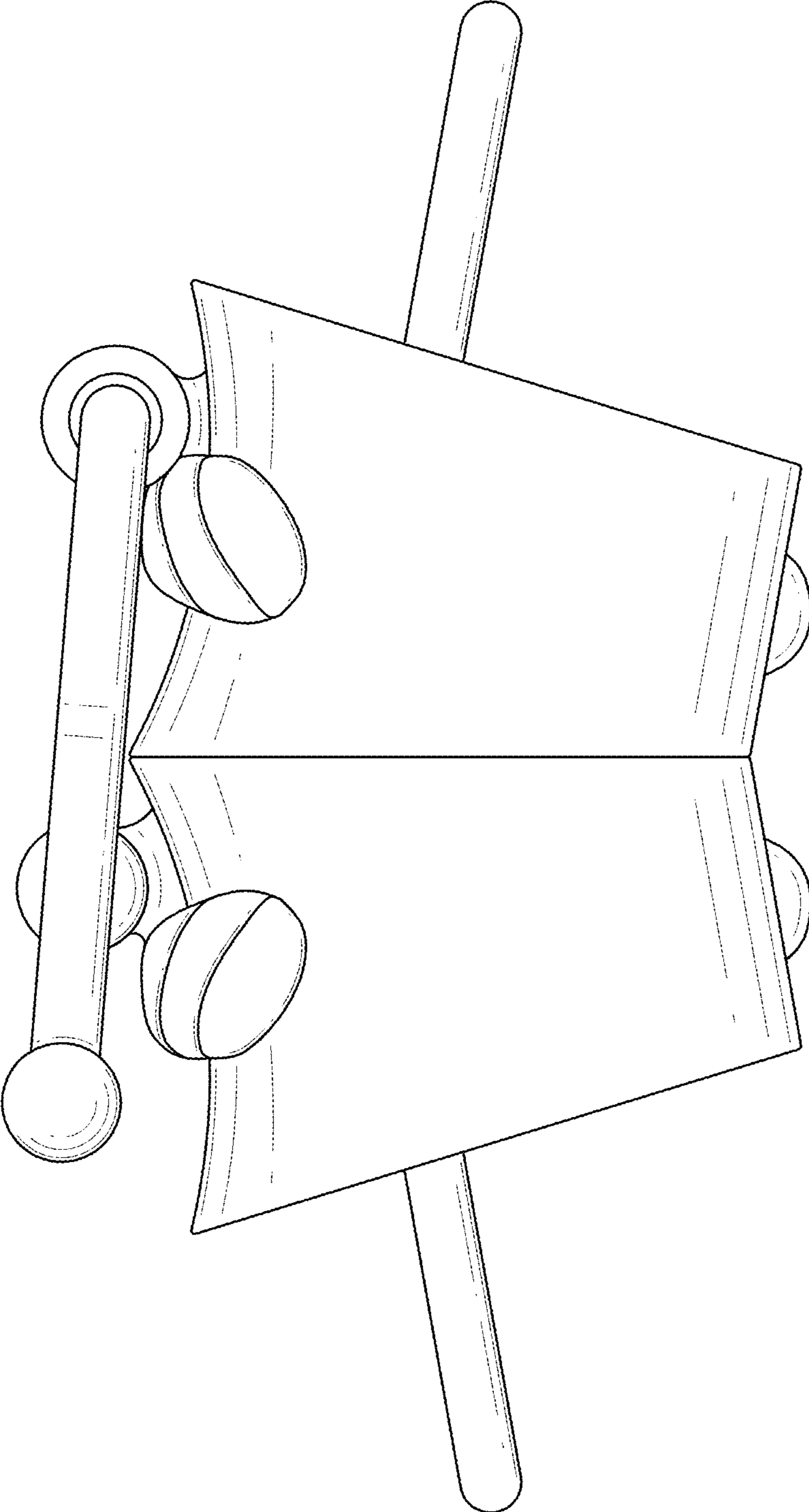


FIG. 2

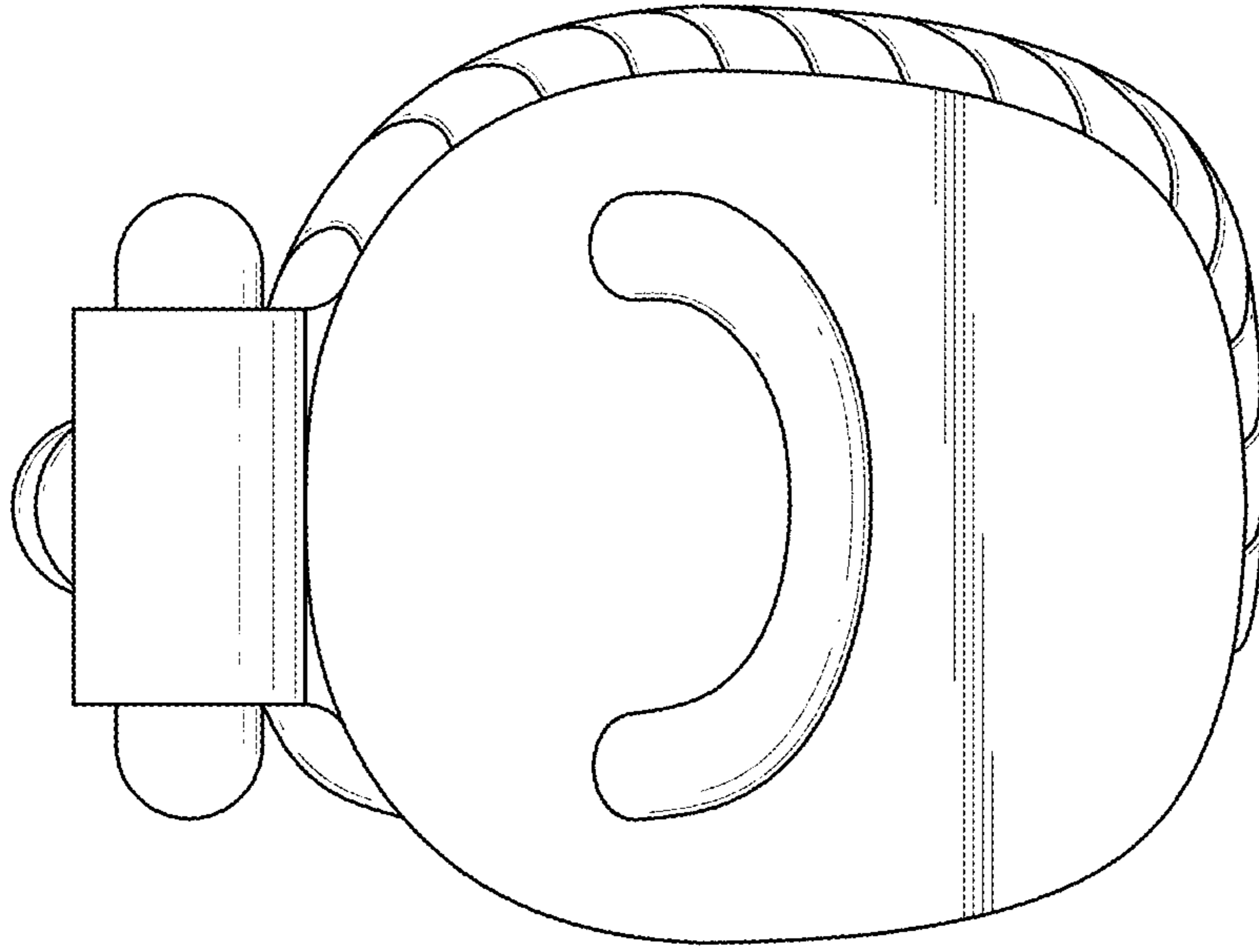


FIG. 4

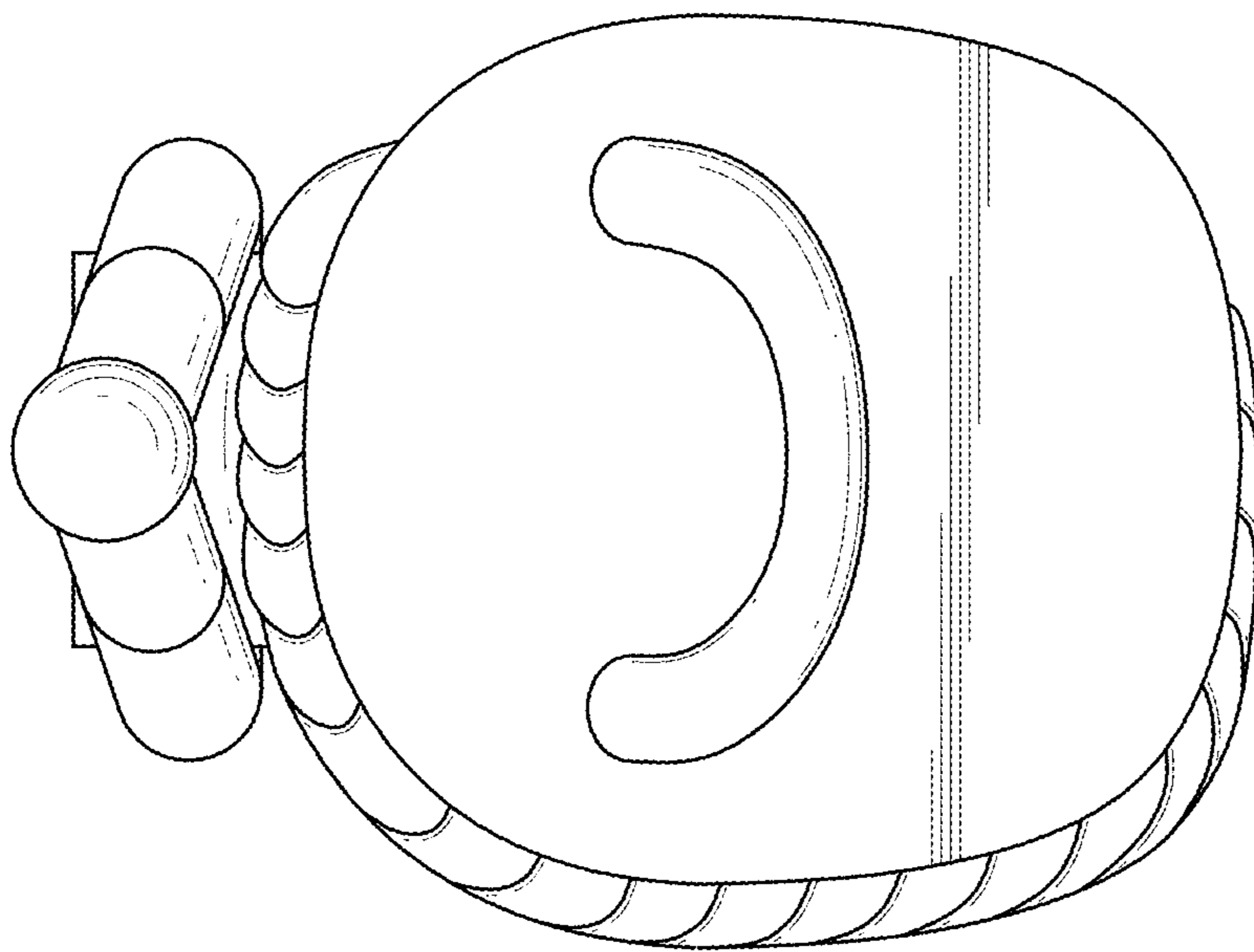


FIG. 3

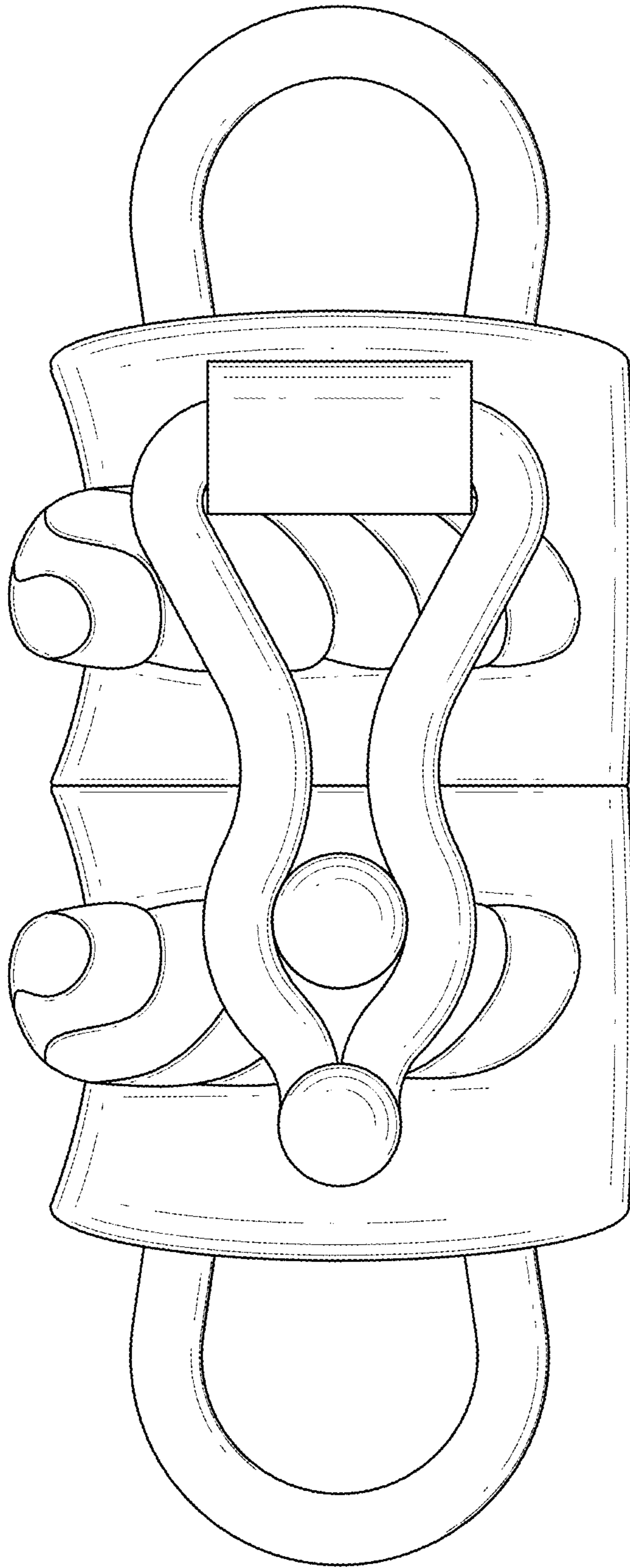


FIG. 5

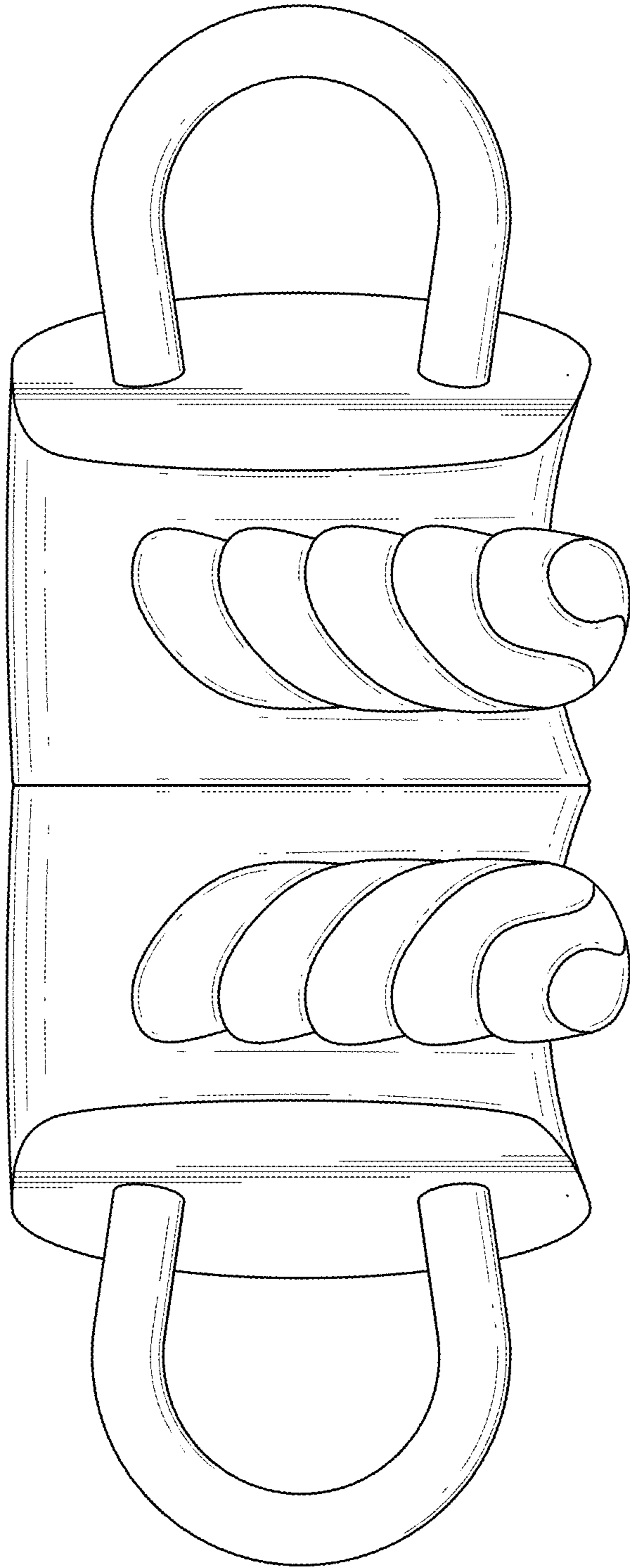


FIG. 6

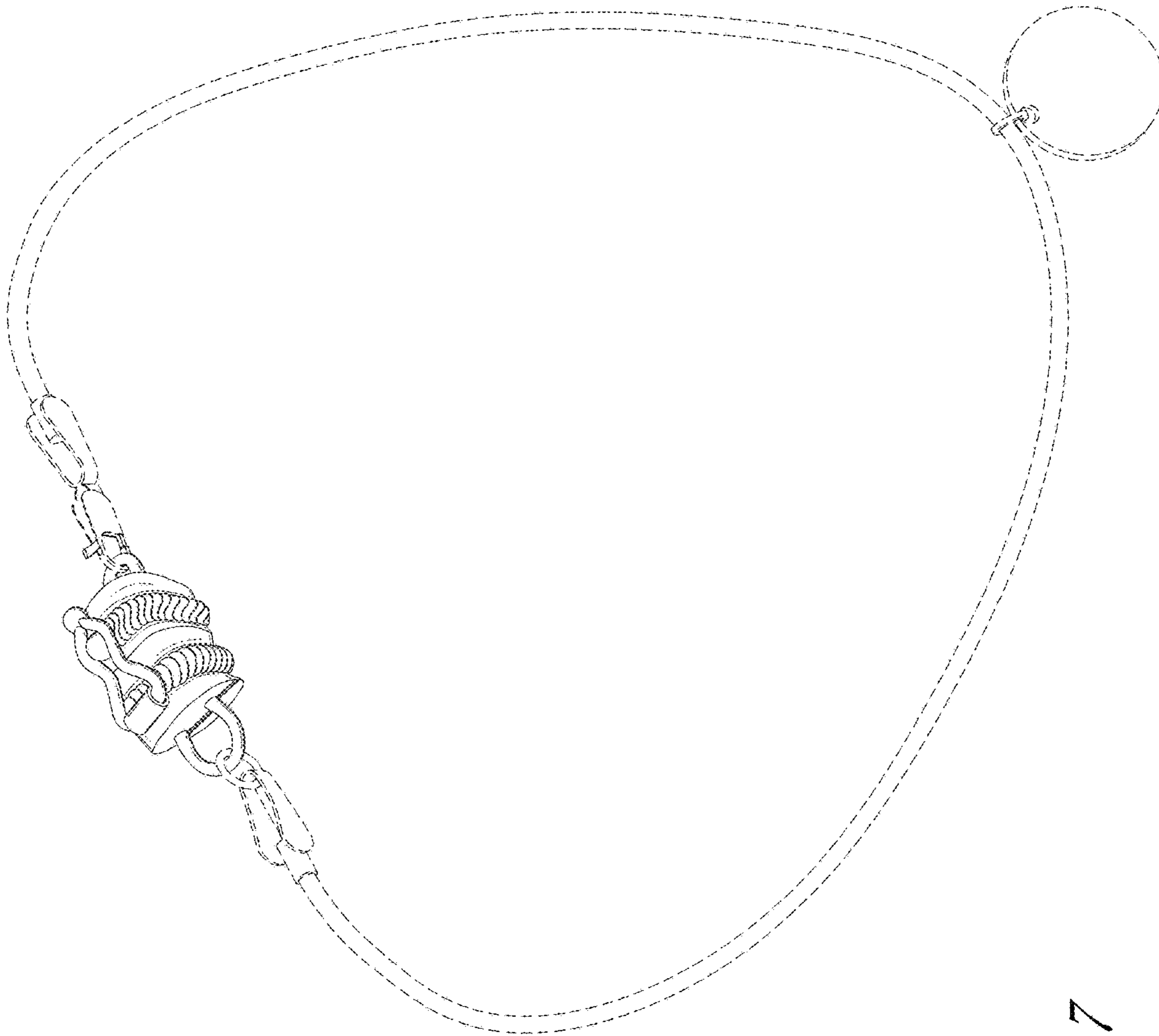


FIG. 7