



US00D793275S

(12) **United States Design Patent** (10) **Patent No.:** **US D793,275 S**
Schwaninger (45) **Date of Patent:** **** Aug. 1, 2017**

(54) **RING**
(71) Applicant: **Van Cleef & Arpels SA,**
Villars-sur-Glane (CH)
(72) Inventor: **Kia Schwaninger,** Brooklyn, NY (US)
(73) Assignee: **Van Cleef & Arpels SA,**
Villars-sur-Glane (CH)
(**) Term: **15 Years**
(21) Appl. No.: **29/568,624**
(22) Filed: **Jun. 20, 2016**
(30) **Foreign Application Priority Data**

Dec. 21, 2015 (WO) DM/088759
(51) **LOC (10) Cl.** **11-01**
(52) **U.S. Cl.**
USPC **D11/26**
(58) **Field of Classification Search**
USPC ... D11/1, 2, 7, 8, 26-39, 40, 41, 42, 43, 44,
D11/56, 79-86, 91, 92
CPC .. A44C 5/00; A44C 1/00; A44C 7/002; A44C
11/00; A44C 11/007; A44C 23/00; A44C
25/00; A44C 25/001; A44C 25/007; A44C
17/02; A44C 17/0241; A44C 17/0266;
A44C 17/0175; A44C 9/00; A44C
9/0007; A44C 9/0015; A44C 9/0023;
A44C 9/003; A44C 9/0038; A44C
9/0046; A44C 9/0053; A44C 9/0061;
A44C 9/0069; A44C 9/0076; A44C
9/0084; A44C 9/02; A44C 15/001
See application file for complete search history.

(56) **References Cited**
U.S. PATENT DOCUMENTS

D14,704 S * 2/1884 Chatellier D11/76
D67,450 S * 6/1925 Faigin D11/47

D140,871 S * 4/1945 Shenkein D11/34
D176,266 S * 12/1955 Katz D11/34
D176,267 S * 12/1955 Katz D11/34
D177,384 S * 4/1956 Katz D11/34
D199,363 S * 10/1964 Katz D11/34
D406,246 S * 3/1999 Bulgari D11/26
D439,863 S * 4/2001 Cabarbaye D11/26
D544,389 S * 6/2007 Ooten D11/40
D555,532 S * 11/2007 Bonoli D11/34
D560,136 S * 1/2008 Grassi Damiani D11/34
D622,173 S * 8/2010 Blad D11/40
D629,710 S * 12/2010 Fernandez Rives D11/34
D680,022 S * 4/2013 Parvex D11/34
D780,023 S * 2/2017 Yatsugi-Kang D11/34

OTHER PUBLICATIONS

[Online] http://www.buro247.me/thumb/640x960_0/99_2.jpg.
Retrieved Mar. 2, 2017.*

* cited by examiner

Primary Examiner — Melanie Pellegrini
(74) *Attorney, Agent, or Firm* — Taft Stettinius &
Hollister LLP

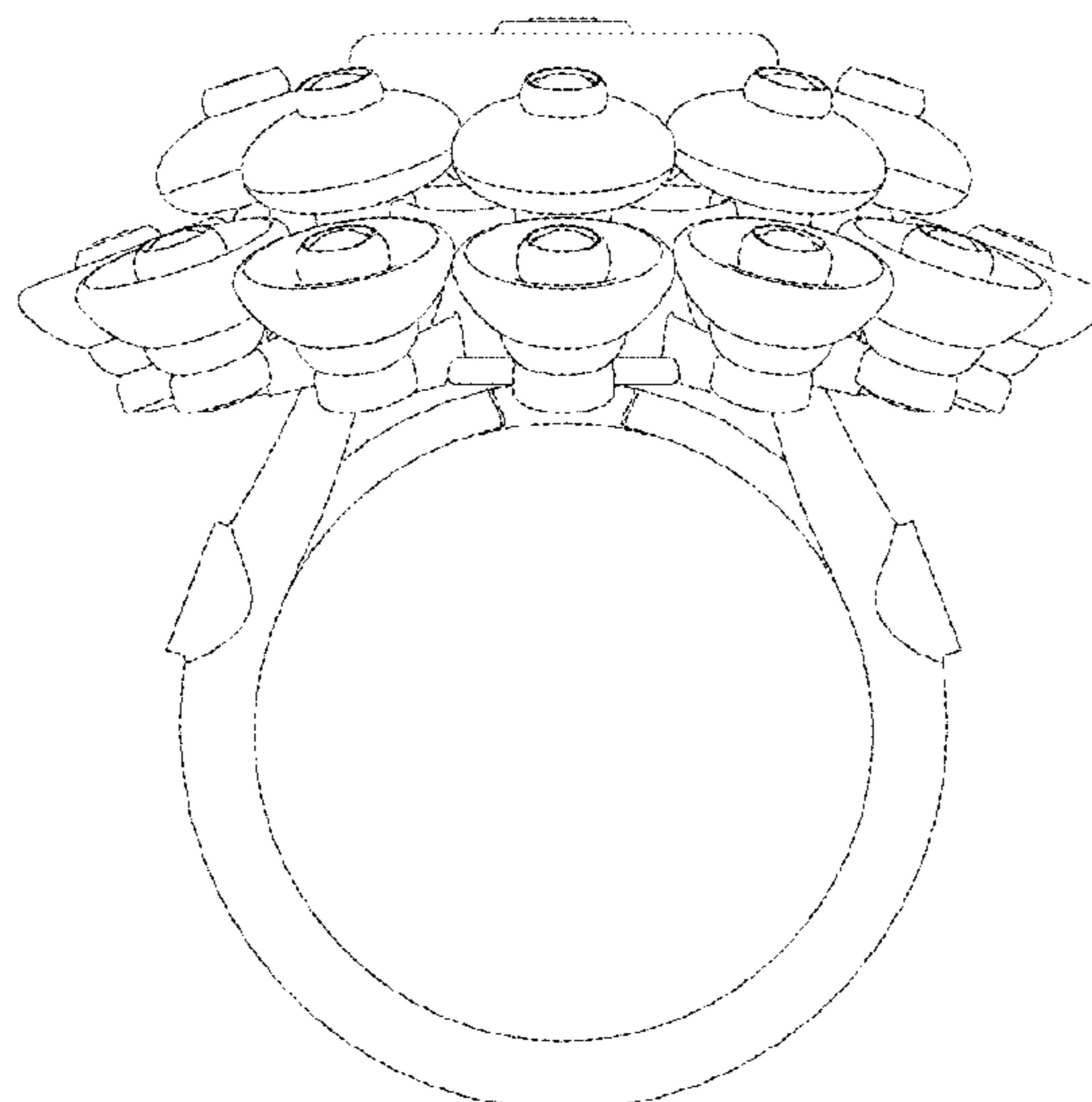
(57) **CLAIM**

The ornamental design for a ring, as shown and described.

DESCRIPTION

FIG. 1 is a front elevational view of a ring showing my new design;
FIG. 2 is a rear elevational view thereof;
FIG. 3 is a top plan view thereof;
FIG. 4 is a right side elevational view thereof;
FIG. 5 is a left side elevational view thereof; and,
FIG. 6 is a front, right perspective view thereof.

1 Claim, 2 Drawing Sheets



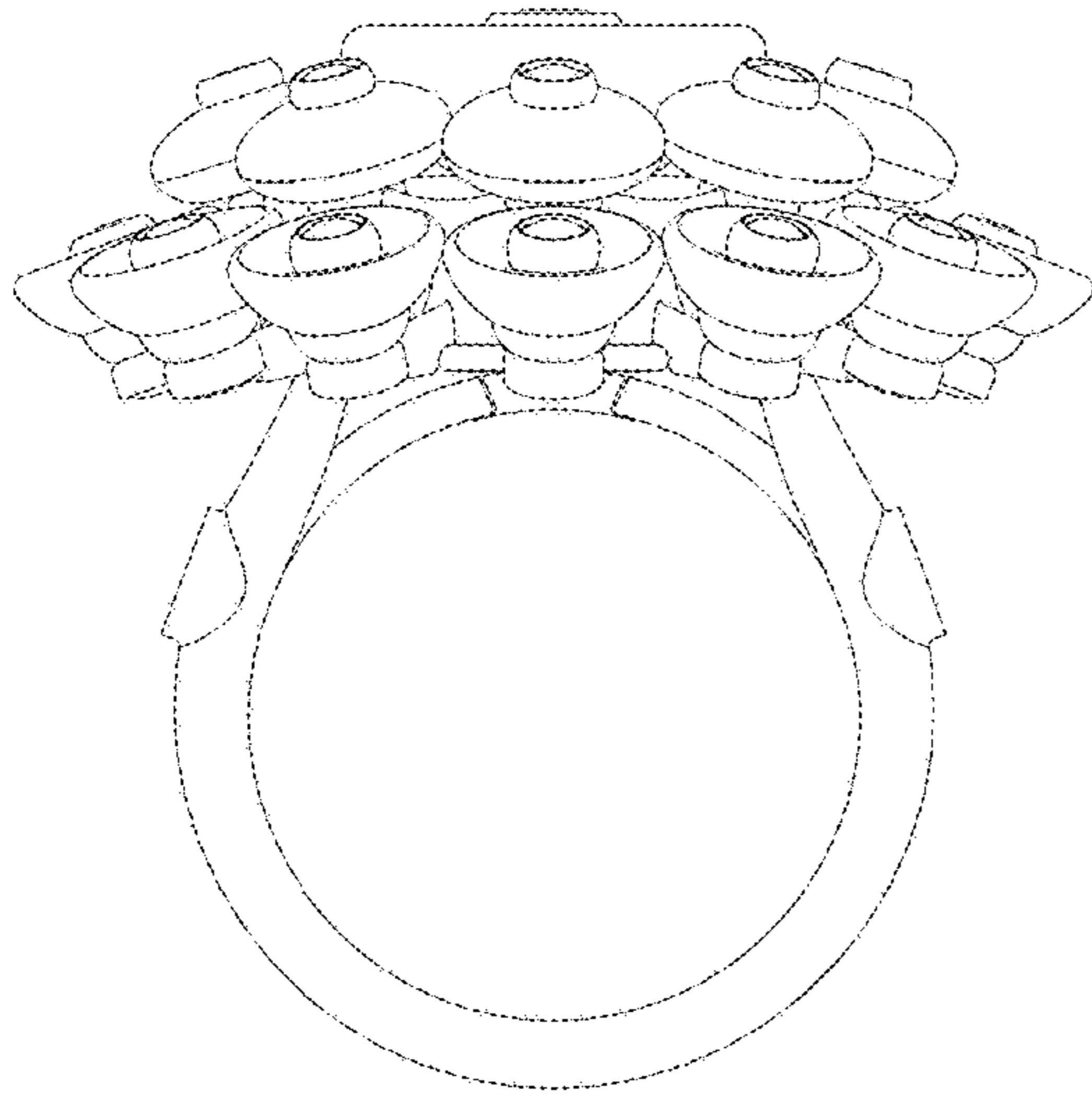


Fig. 1

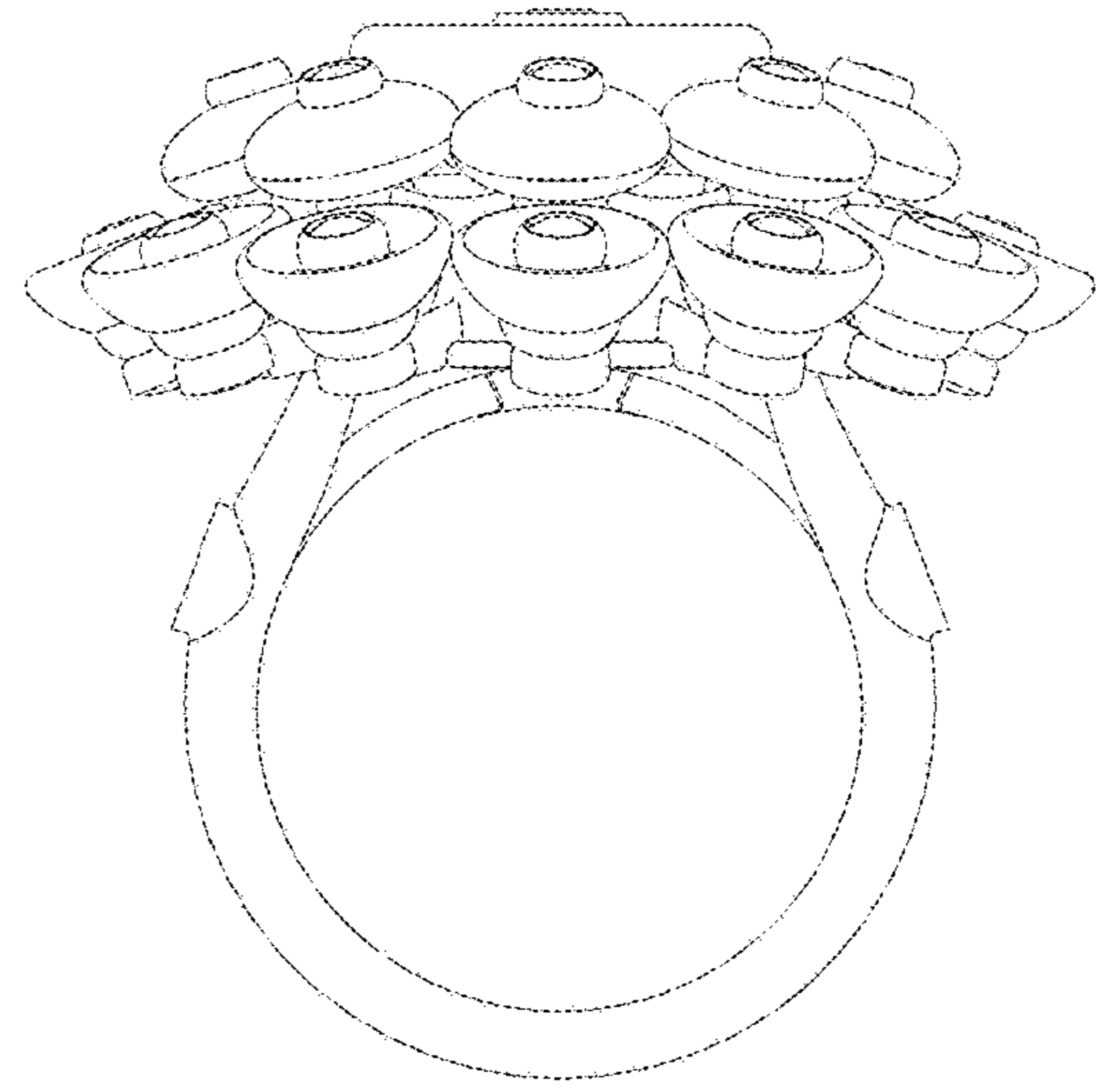


Fig. 2

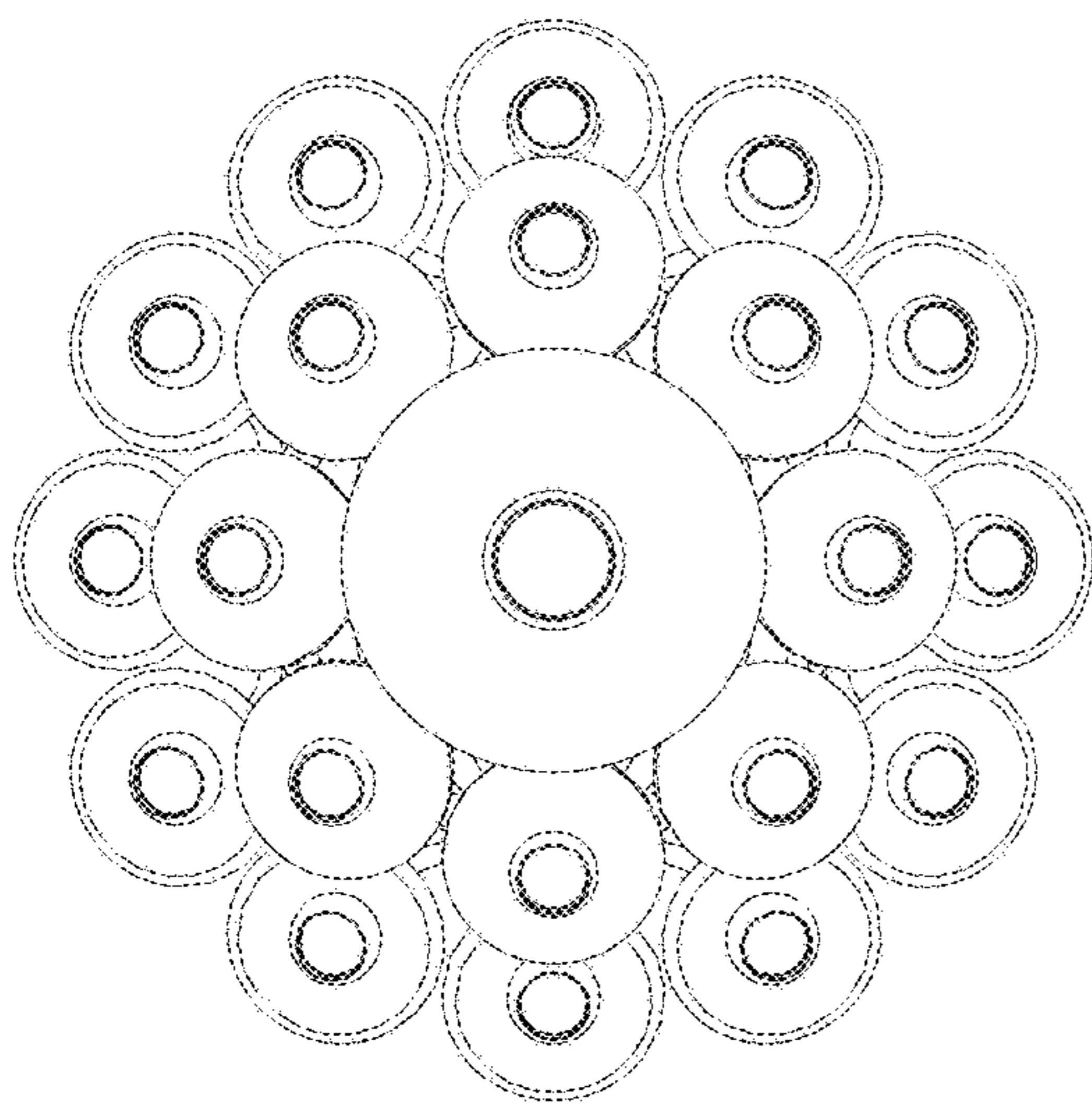


Fig. 3

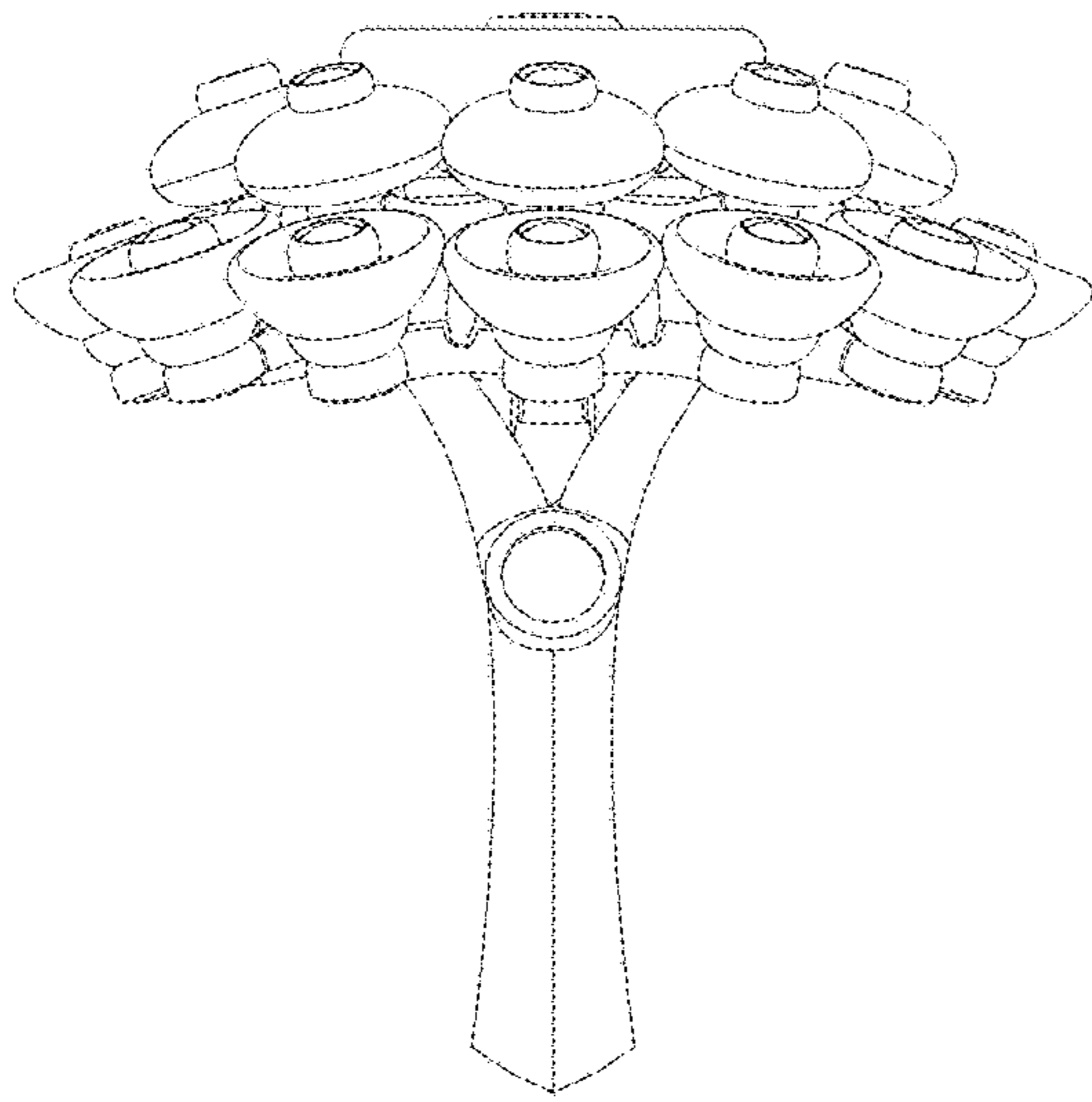


Fig. 4

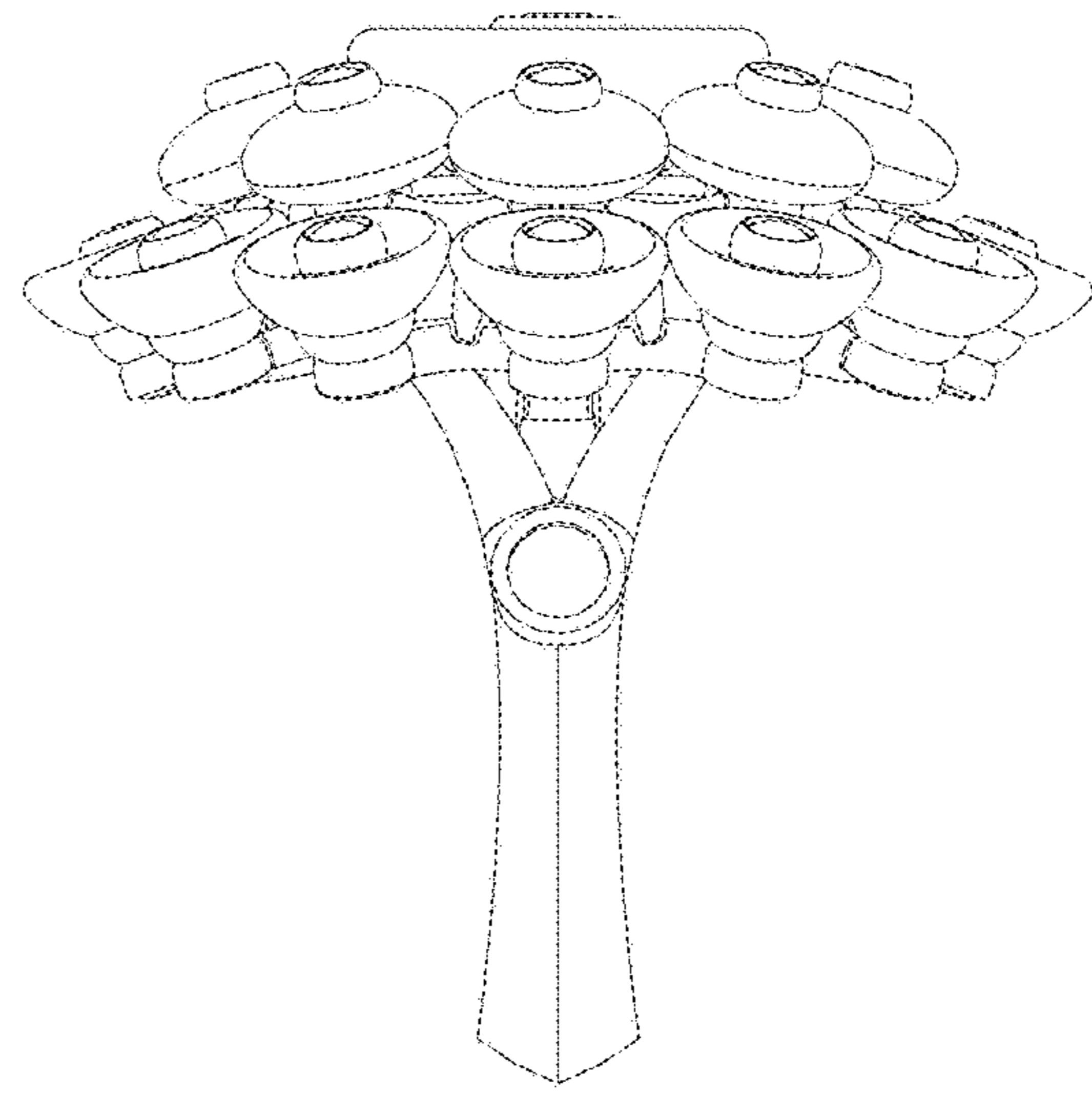


Fig. 5

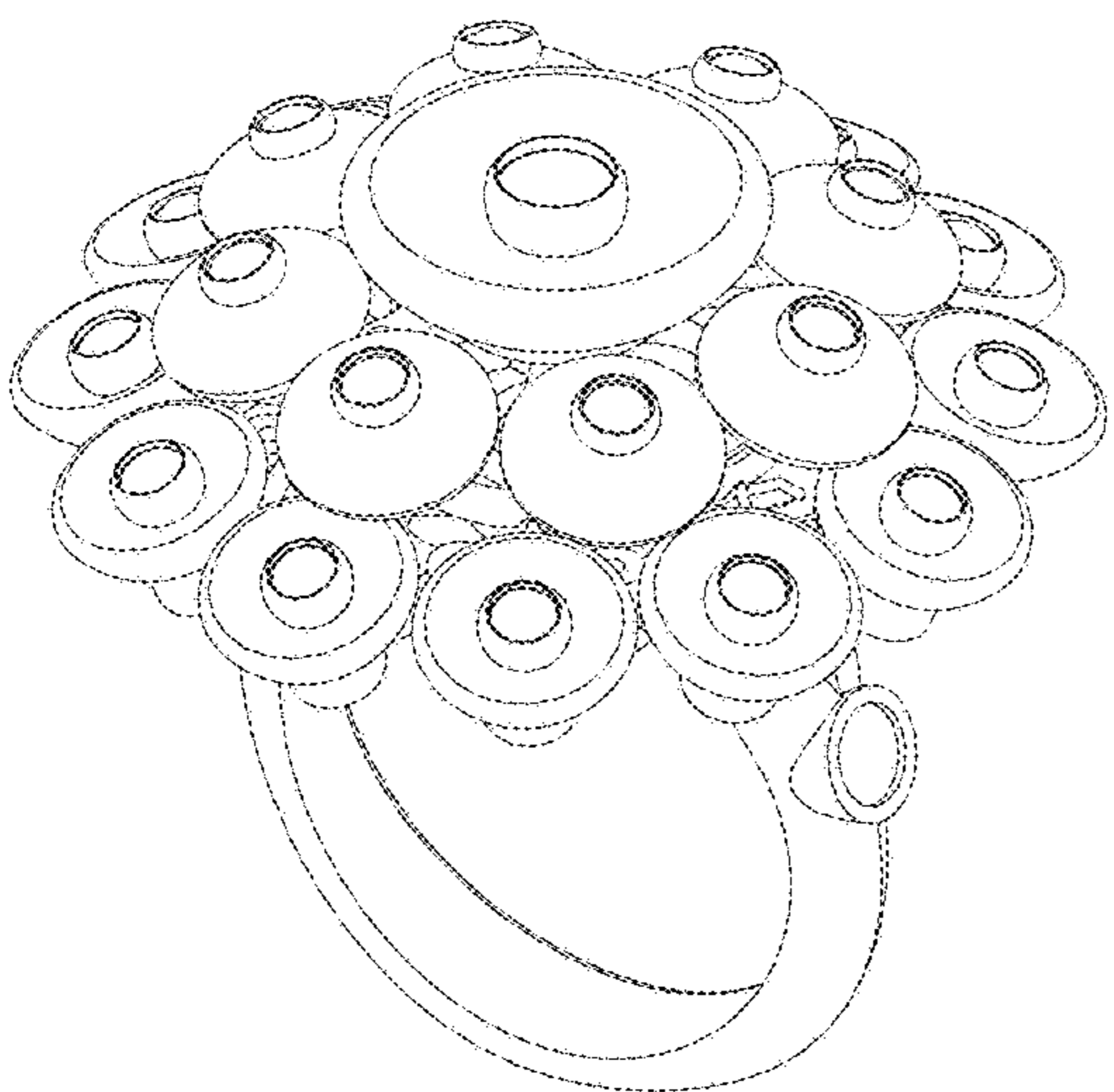


Fig. 6