



US00D793270S

(12) **United States Design Patent** (10) **Patent No.:** **US D793,270 S**
Riddiford et al. (45) **Date of Patent:** **** Aug. 1, 2017**

(54) **FITNESS WATCH STRAP**

(71) Applicant: **TomTom International B.V.**,
Amsterdam (NL)
(72) Inventors: **Martin Riddiford**, London (GB);
Anthony Nicholas Pond, San
Francisco, CA (US); **Jonathan Chan**,
London (GB)

(73) Assignee: **TomTom International B.V.**,
Amsterdam (NL)

(**) Term: **14 Years**

(21) Appl. No.: **29/519,438**

(22) Filed: **Mar. 5, 2015**

(30) **Foreign Application Priority Data**

Sep. 25, 2014 (EM) 002545582-0001
Feb. 26, 2015 (EM) 002642140-0001

(51) **LOC (10) Cl.** **11-01**

(52) **U.S. Cl.**
USPC **D11/3**

(58) **Field of Classification Search**
USPC D11/1-6, 79-81, 85-87, 93, 94; D10/30,
D10/32, 38, 46, 70, 74; D14/344;
D24/167, 186; 368/276-278, 281-283,
368/285-287; 224/164, 165, 175
CPC .. G04B 37/00; A44C 5/14; A44C 5/00; A44C
5/0053; A44C 5/0007; A44C 5/0084;
A44C 15/0025; Y10T 24/4782; Y10T
24/2155

See application file for complete search history.

(56) **References Cited**

U.S. PATENT DOCUMENTS

D285,422 S * 9/1986 Grimes D10/32
D474,981 S * 5/2003 Wilson D10/32

D667,126 S * 9/2012 Cho D24/186
D711,760 S * 8/2014 Savoy D10/32
D724,556 S * 3/2015 Choi D10/32
D725,533 S * 3/2015 Riddiford D11/3
D726,056 S * 4/2015 Riddiford D11/3
D729,681 S * 5/2015 Lee D11/3
D732,022 S * 6/2015 Song D14/344
D738,372 S * 9/2015 Song D10/32
D738,772 S * 9/2015 Choi D11/3
D738,971 S * 9/2015 Riddiford D21/694
D742,372 S * 11/2015 Christopher D14/344
D751,067 S * 3/2016 Nousiainen D10/38
D756,832 S * 5/2016 Riddiford D11/3
D758,234 S * 6/2016 Riddiford D11/3
D759,622 S * 6/2016 Dahlberg D10/32
2015/0272458 A1 * 10/2015 Magniez A61B 5/02438
600/479
2016/0026156 A1 * 1/2016 Jackson G04G 9/007
368/14

* cited by examiner

Primary Examiner — Cynthia Ramirez
Assistant Examiner — Llorellys Martinez-Rivera

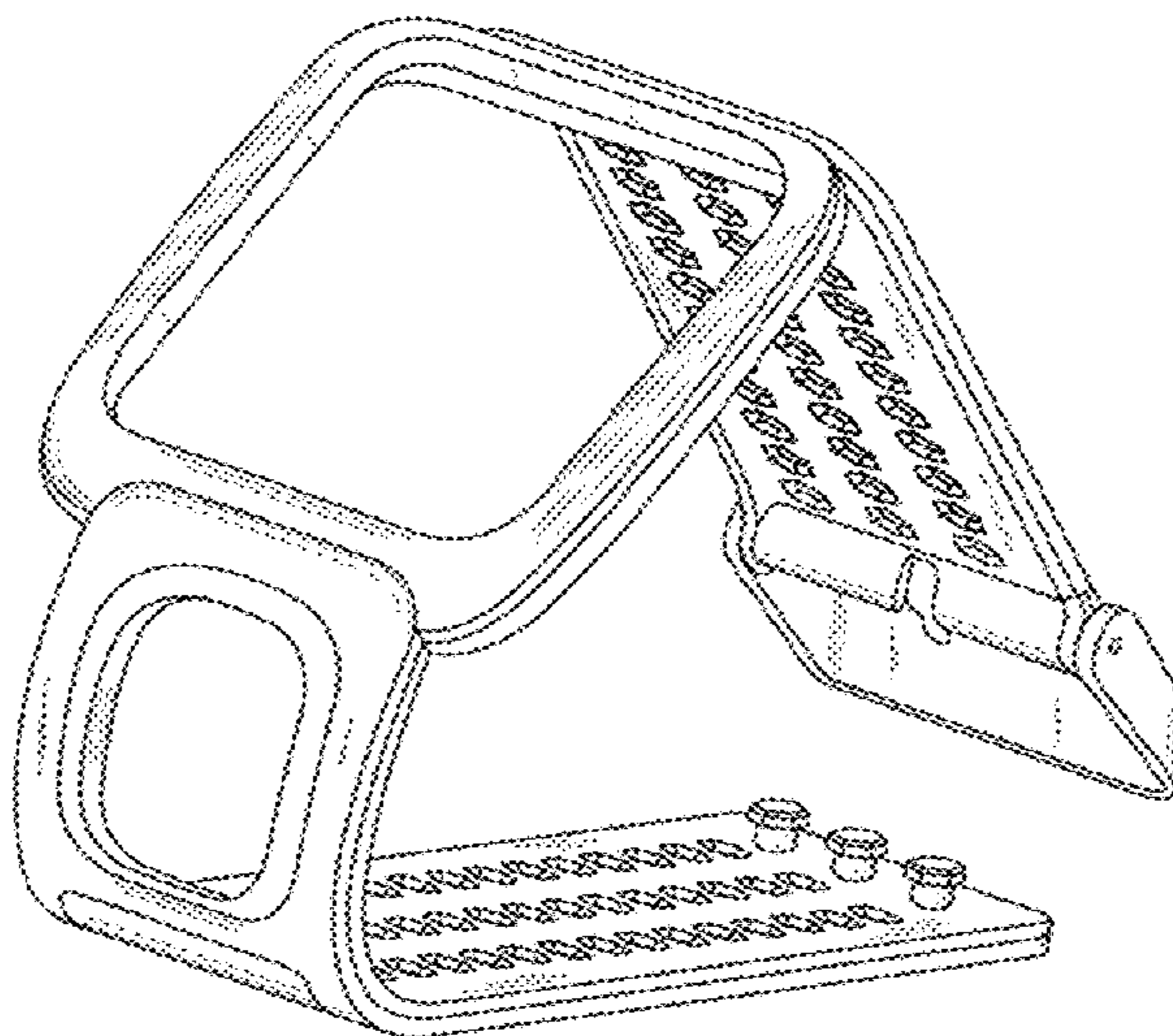
(57) **CLAIM**

The ornamental design for a fitness watch strap, as shown and described.

DESCRIPTION

FIG. 1 is a top, front, right perspective view of a fitness watch strap according to the present design.
FIG. 2 is a bottom, rear, right perspective view of the fitness watch strap in FIG. 1.
FIG. 3 is a right side view; the left side view being a mirror image thereof.
FIG. 4 is a front view thereof.
FIG. 5 is a rear view thereof.
FIG. 6 is a bottom plan view thereof; and,
FIG. 7 is a top plan view thereof.

1 Claim, 5 Drawing Sheets



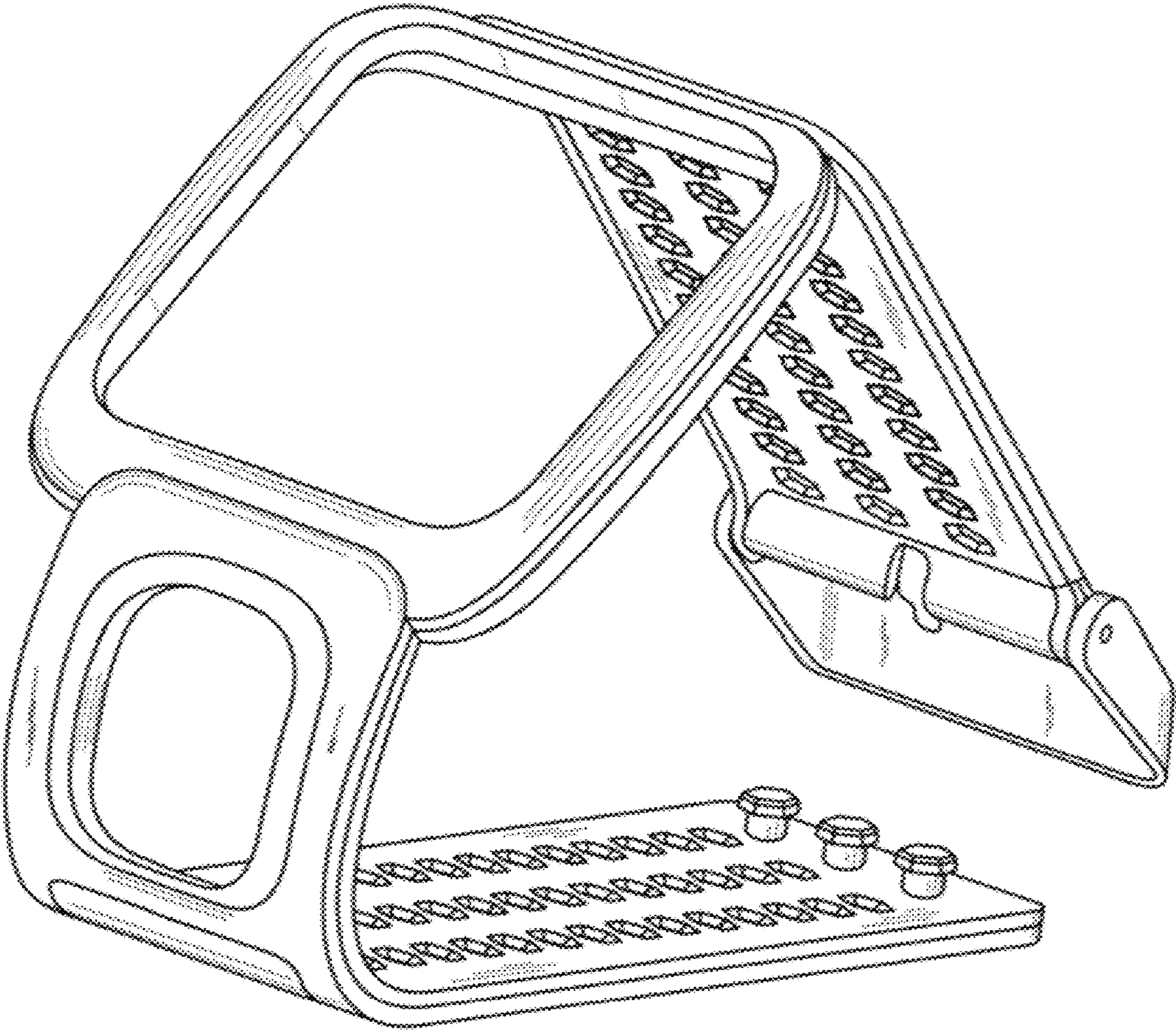


Figure 1

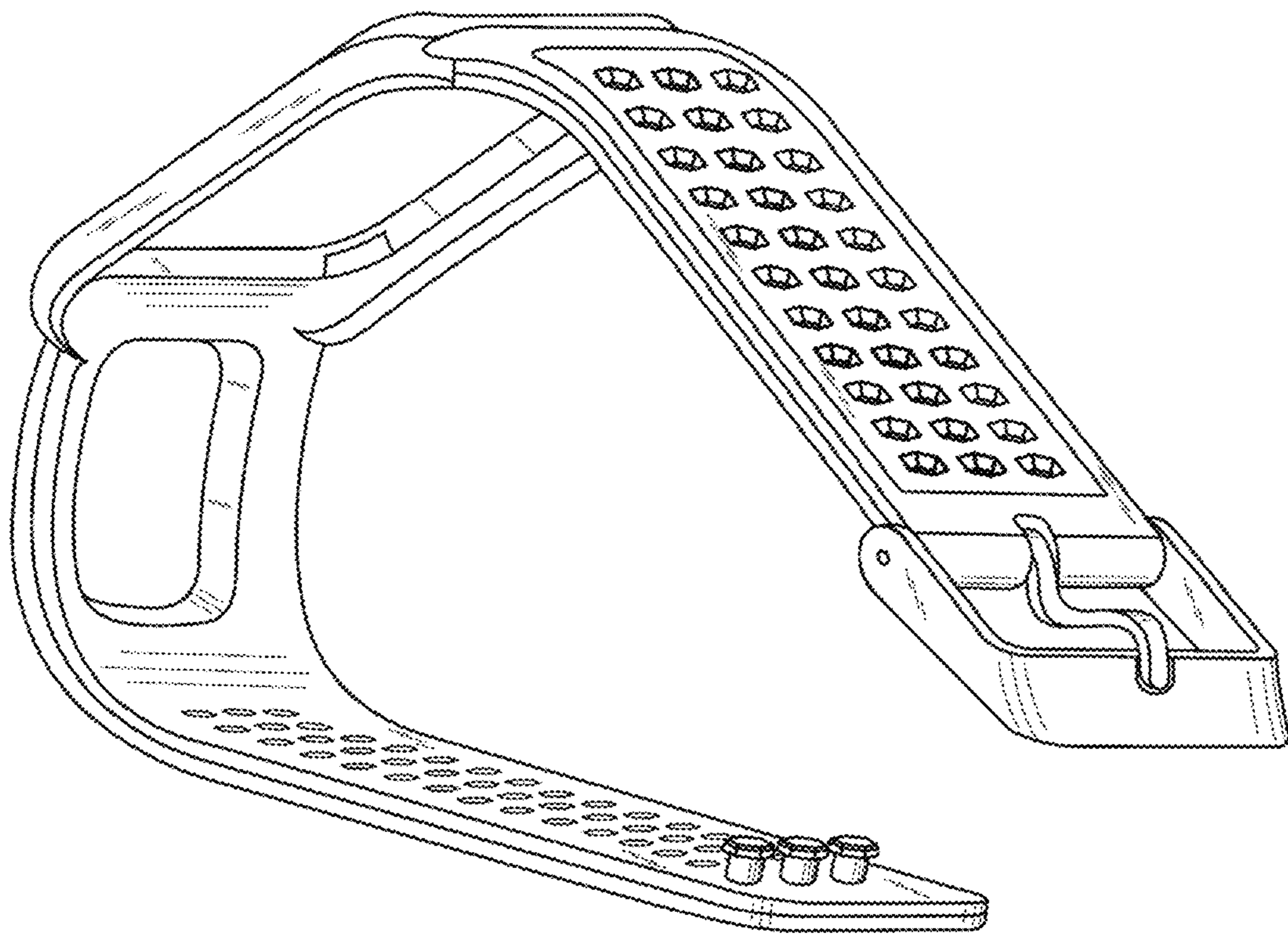


Figure 2

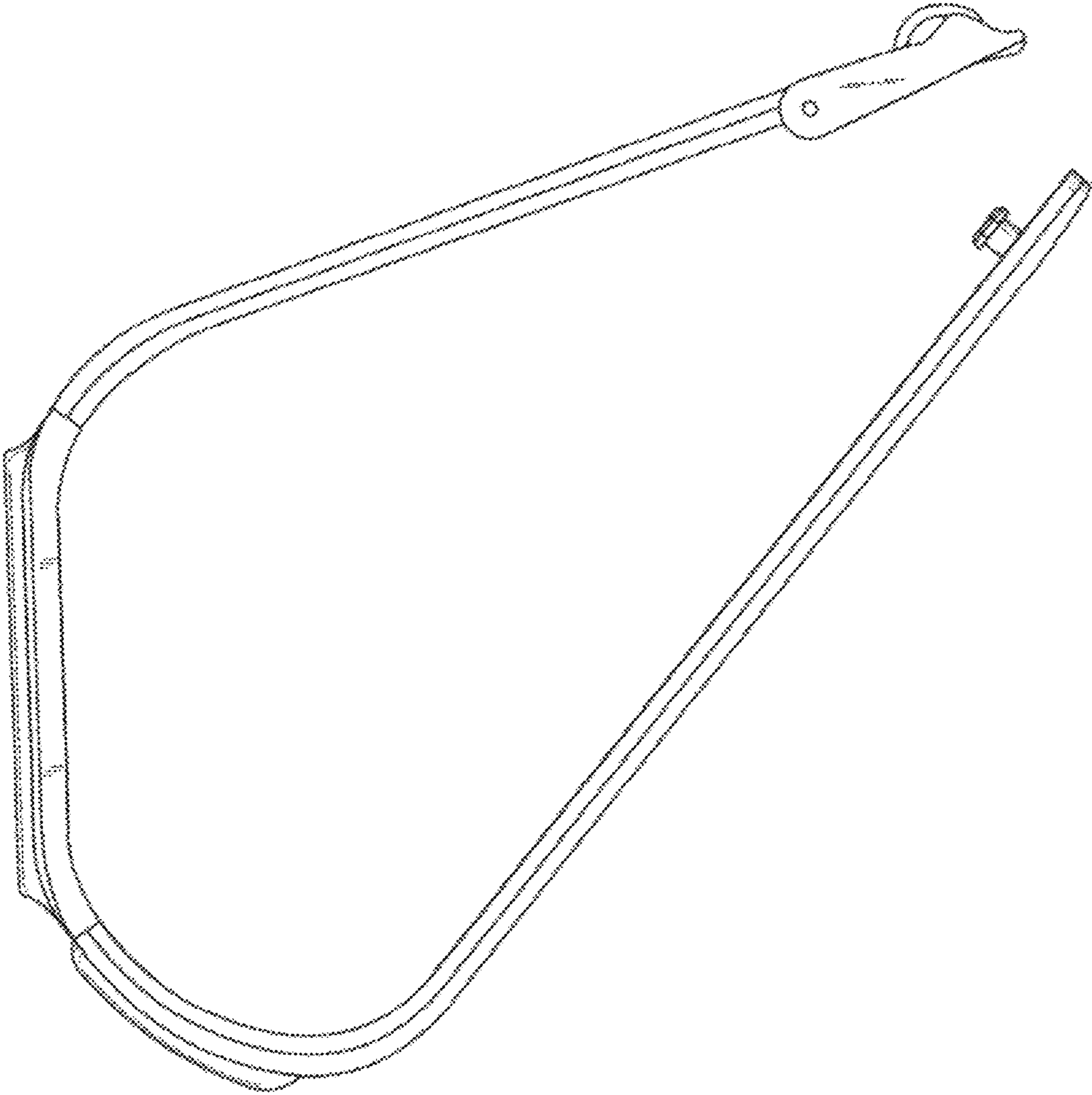


Figure 3

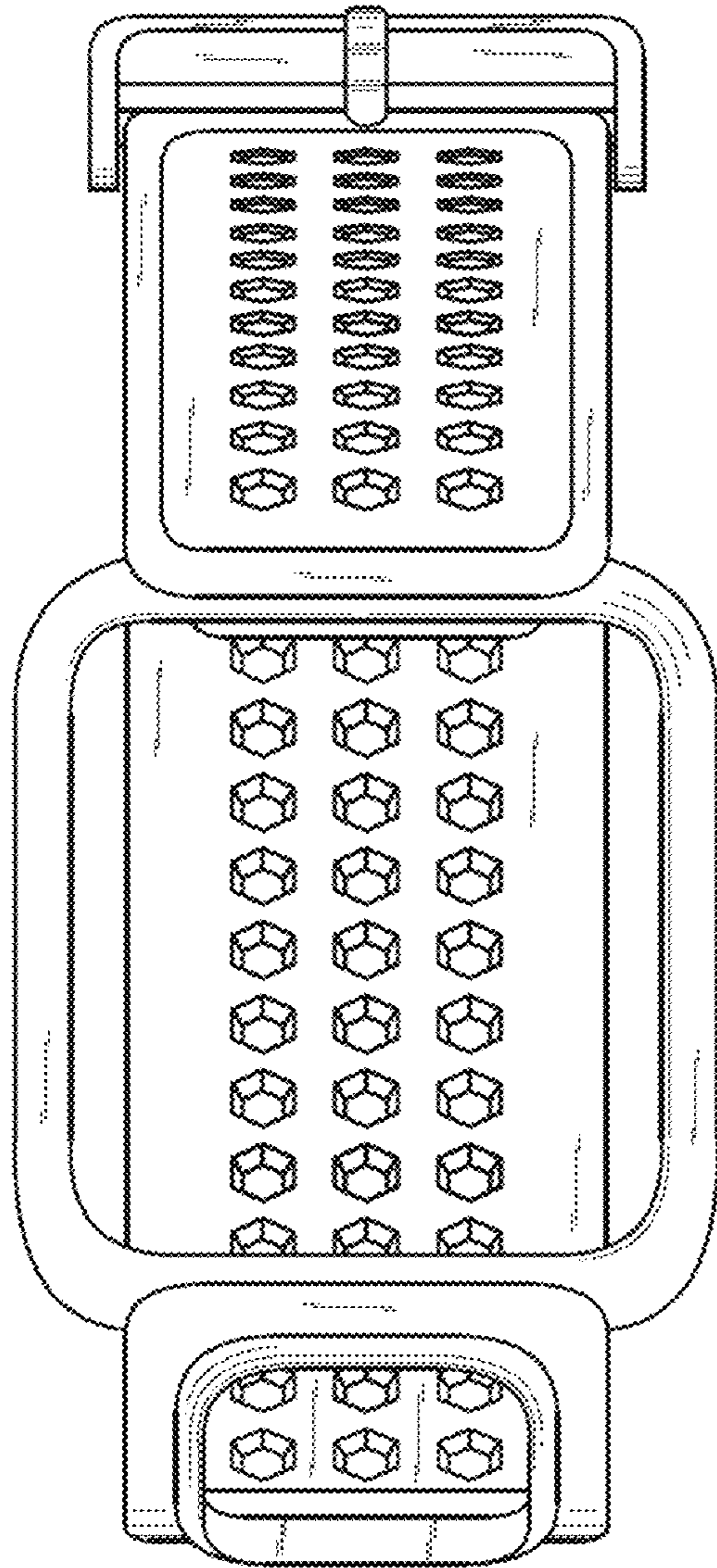


Figure 4

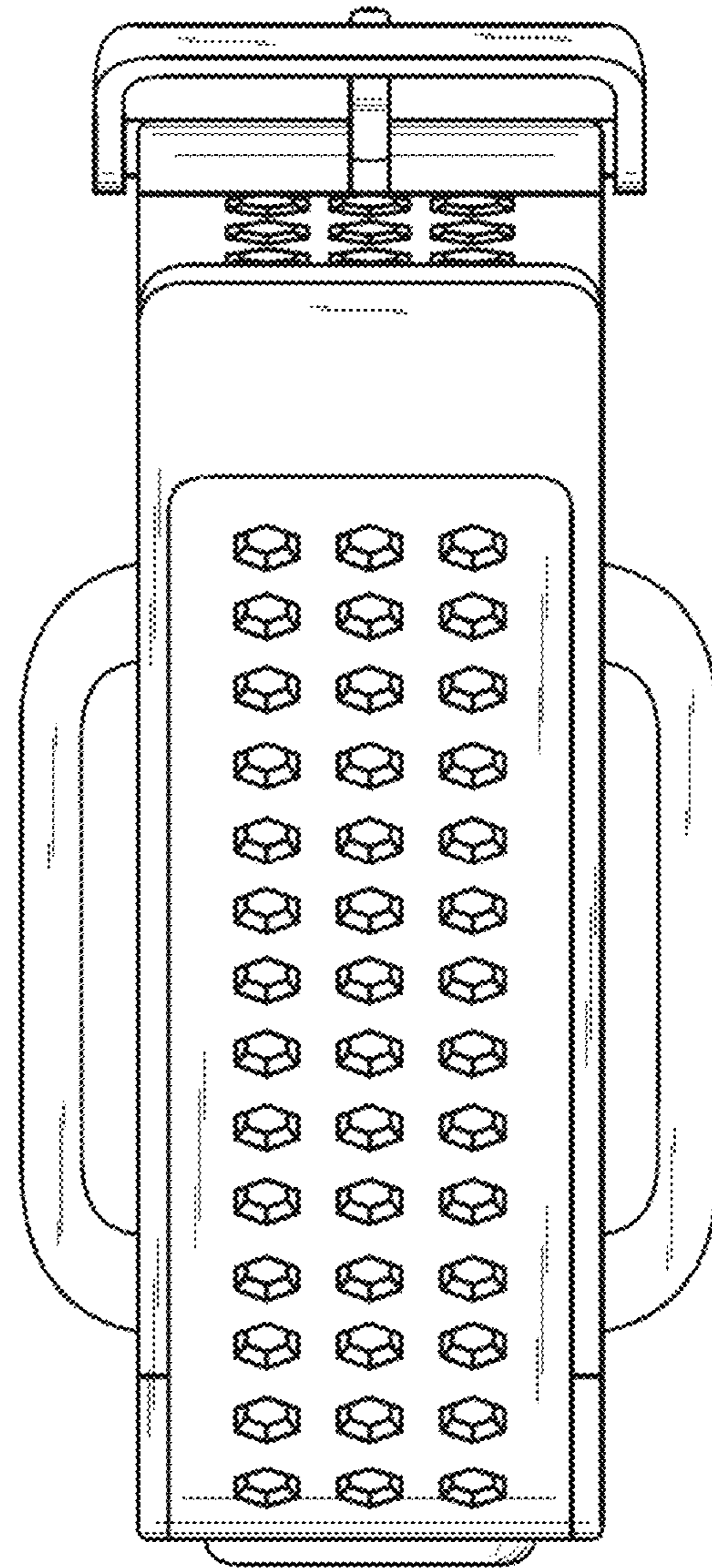


Figure 5

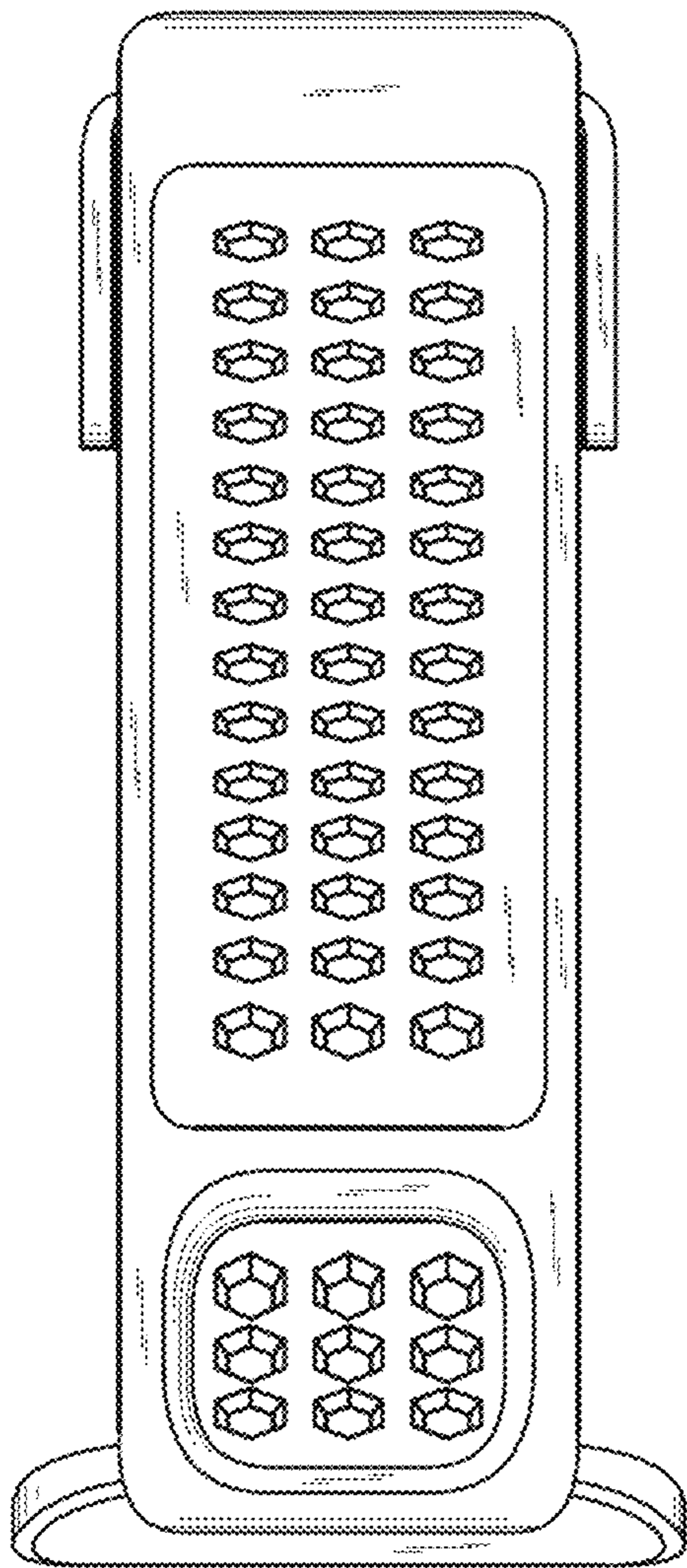


Figure 6

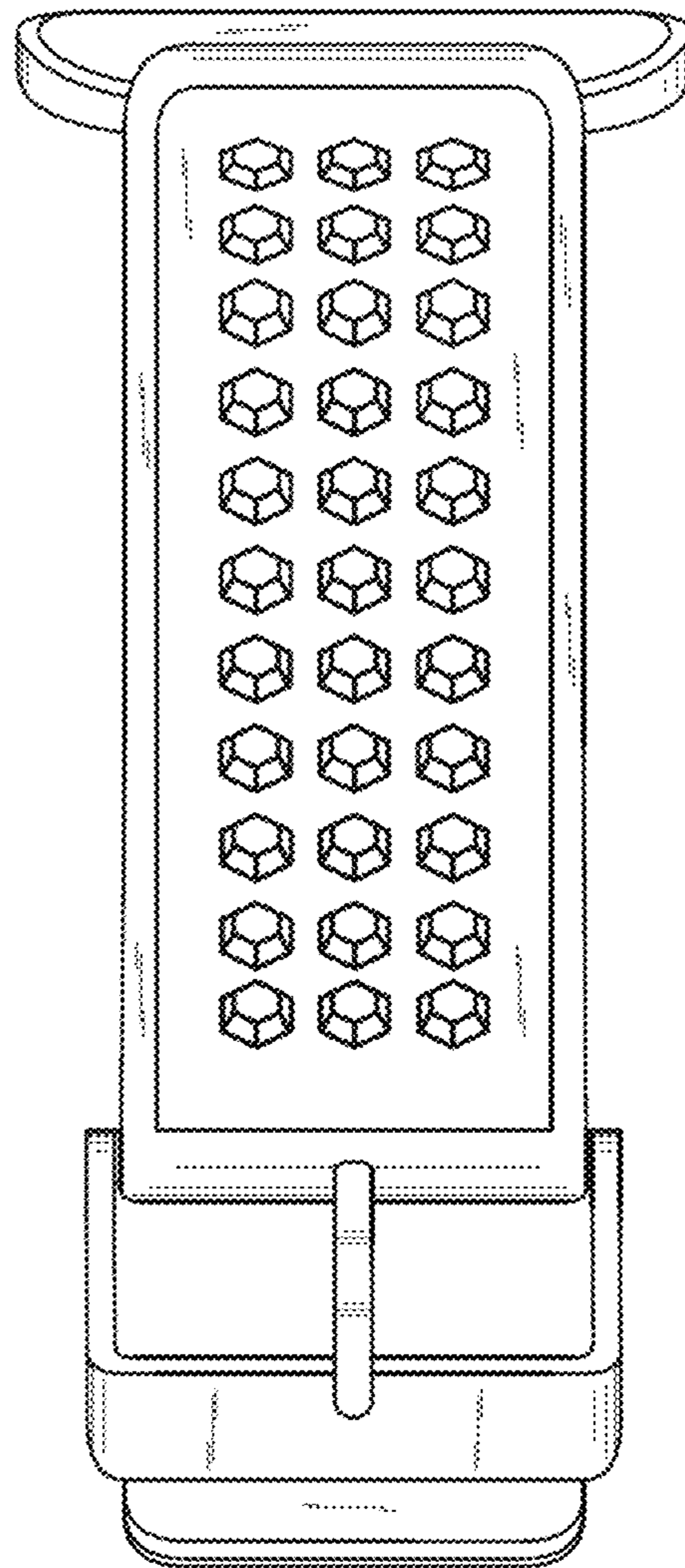


Figure 7