



US00D793269S

(12) **United States Design Patent** (10) **Patent No.:** **US D793,269 S**  
**Magniez et al.** (45) **Date of Patent:** **\*\* Aug. 1, 2017**

(54) **FITNESS WATCH STRAP**

(56) **References Cited**

(71) Applicant: **TomTom International B.V.**,  
Amsterdam (NL)  
(72) Inventors: **Clement Albert Anne Magniez**,  
London (GB); **Stephen Michael Jackson**,  
London (GB); **Martin Riddiford**,  
London (GB); **Anthony Nicholas Pond**,  
London (GB); **Jonathan Chan**,  
London (GB); **William Hywel Stuart**,  
San Francisco, CA (US)

(73) Assignee: **TomTom International B.V.**,  
Amsterdam (NL)

(\*\*) Term: **14 Years**

(21) Appl. No.: **29/503,449**

(22) Filed: **Sep. 26, 2014**

(30) **Foreign Application Priority Data**

Mar. 27, 2014 (EM) ..... 002434555-0001

(51) **LOC (10) Cl.** ..... **11-01**

(52) **U.S. Cl.**  
USPC ..... **D11/3**

(58) **Field of Classification Search**  
USPC ..... D11/1-6, 79-81, 85-87, 93, 94;  
D14/344; D10/30, 32, 38, 46, 70, 74;  
D24/167, 186; 368/276-278, 281-283,  
368/285-287; 224/164, 165, 175  
CPC .. G04B 37/00; A44C 5/14; A44C 5/00; A44C  
5/0053; A44C 5/0007; A44C 5/0084;  
A44C 15/0025; Y10T 24/4782; Y10T  
24/2155

See application file for complete search history.

U.S. PATENT DOCUMENTS

D285,422	S	*	9/1986	Grimes	.....	D10/32
D474,981	S	*	5/2003	Wilson	.....	D10/32
D667,126	S	*	9/2012	Cho	.....	D24/186
D711,760	S	*	8/2014	Savoy	.....	D10/32
D724,556	S	*	3/2015	Choi	.....	D10/32
D725,533	S	*	3/2015	Riddiford	.....	D11/3
D726,056	S	*	4/2015	Riddiford	.....	D11/3
D729,681	S	*	5/2015	Lee	.....	D11/3
D732,022	S	*	6/2015	Song	.....	D14/344
D738,372	S	*	9/2015	Song	.....	D10/32
D738,772	S	*	9/2015	Choi	.....	D11/3
D738,971	S	*	9/2015	Riddiford	.....	D21/694
D742,372	S	*	11/2015	Christopher	.....	D14/344
D751,067	S	*	3/2016	Nousiainen	.....	D10/38
D756,832	S	*	5/2016	Riddiford	.....	D11/3
D758,234	S	*	6/2016	Riddiford	.....	D11/3
D759,622	S	*	6/2016	Dahlberg	.....	D10/32
2015/0272458	A1	*	10/2015	Magniez	.....	A61B 5/02438 600/479
2016/0026156	A1	*	1/2016	Jackson	.....	G04G 9/007 368/14

\* cited by examiner

*Primary Examiner* — Cynthia Ramirez  
*Assistant Examiner* — Llorellys Martinez-Rivera

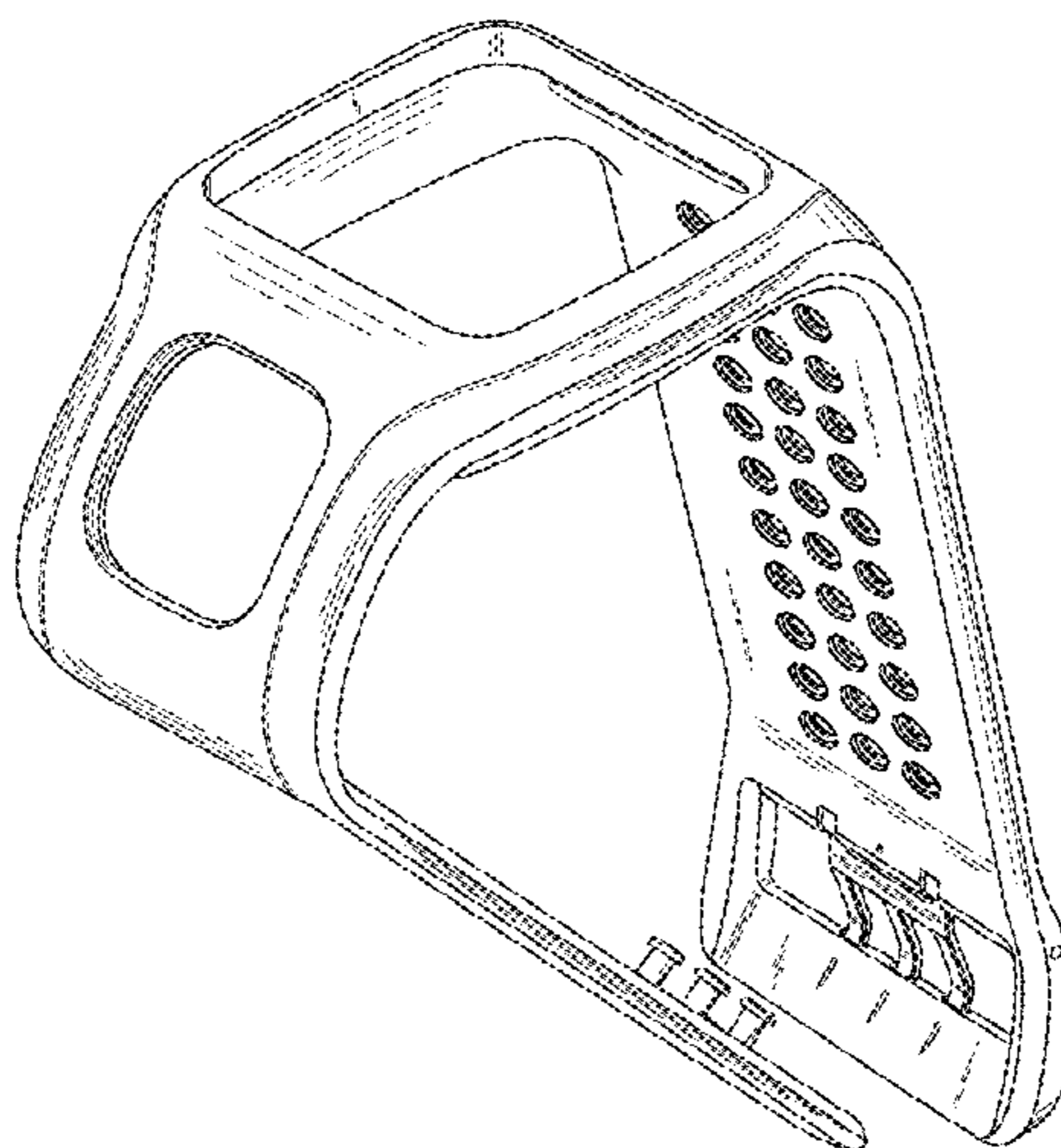
(57) **CLAIM**

The ornamental design for a fitness watch strap, as shown and described.

**DESCRIPTION**

FIG. 1 is a top, front, right perspective view of a fitness watch strap according to the present design.  
FIG. 2 is a bottom, rear, right perspective view thereof.  
FIG. 3 is a right side view; the left side view being a mirror image thereof.  
FIG. 4 is a front view thereof.  
FIG. 5 is a rear view thereof.  
FIG. 6 is a bottom view thereof; and,  
FIG. 7 is a top view thereof.

**1 Claim, 5 Drawing Sheets**



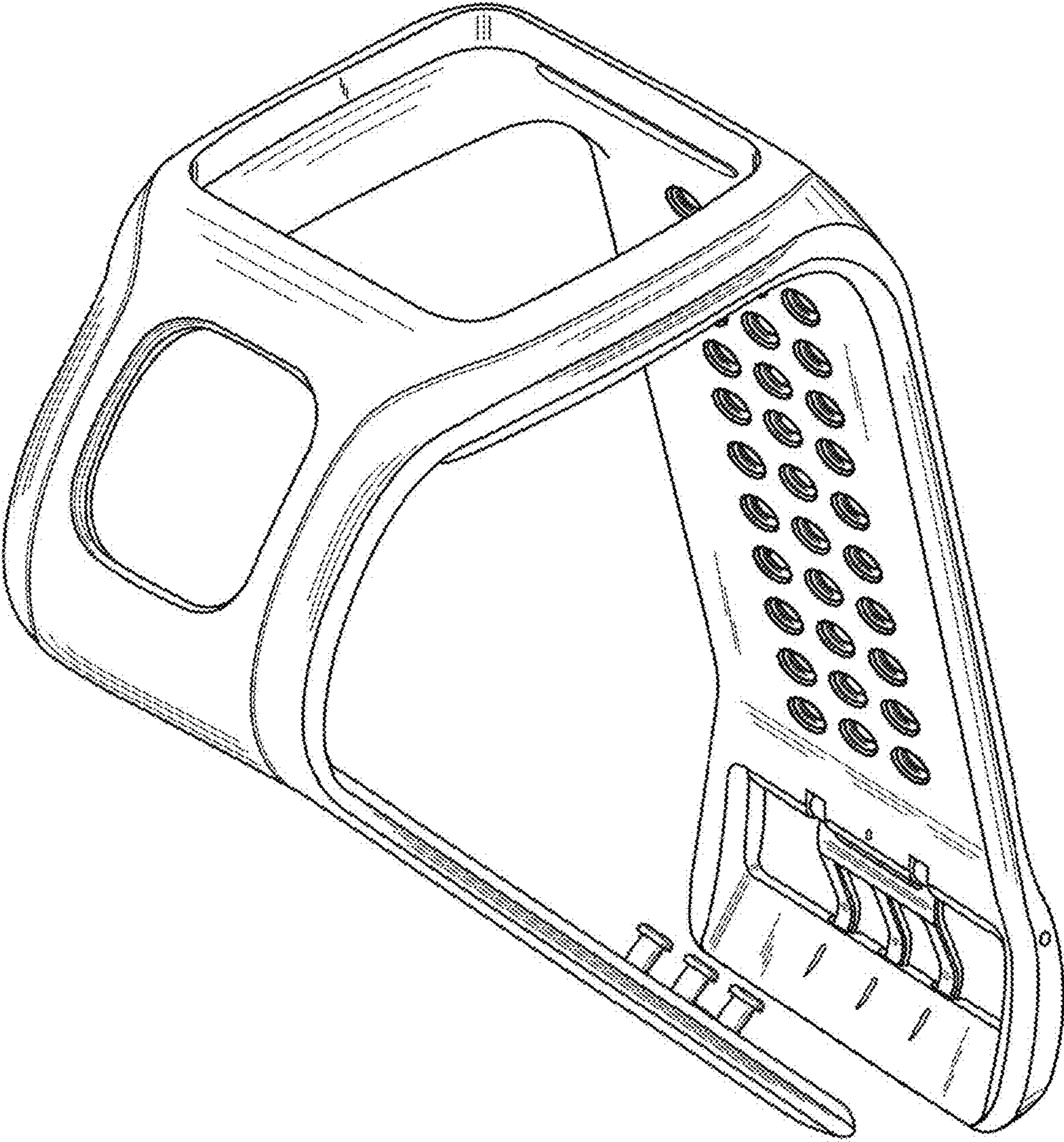


Figure 1



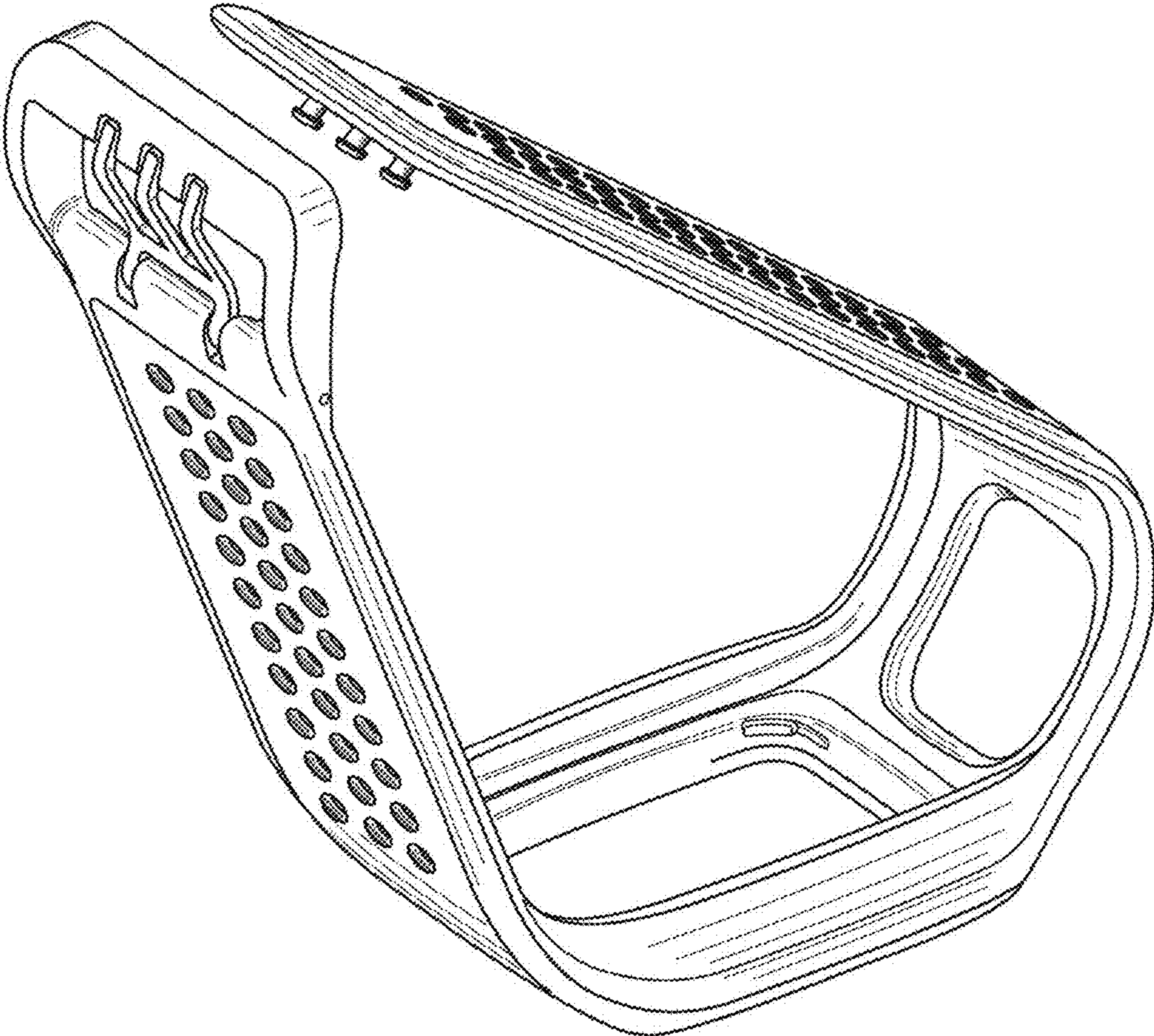


Figure 2

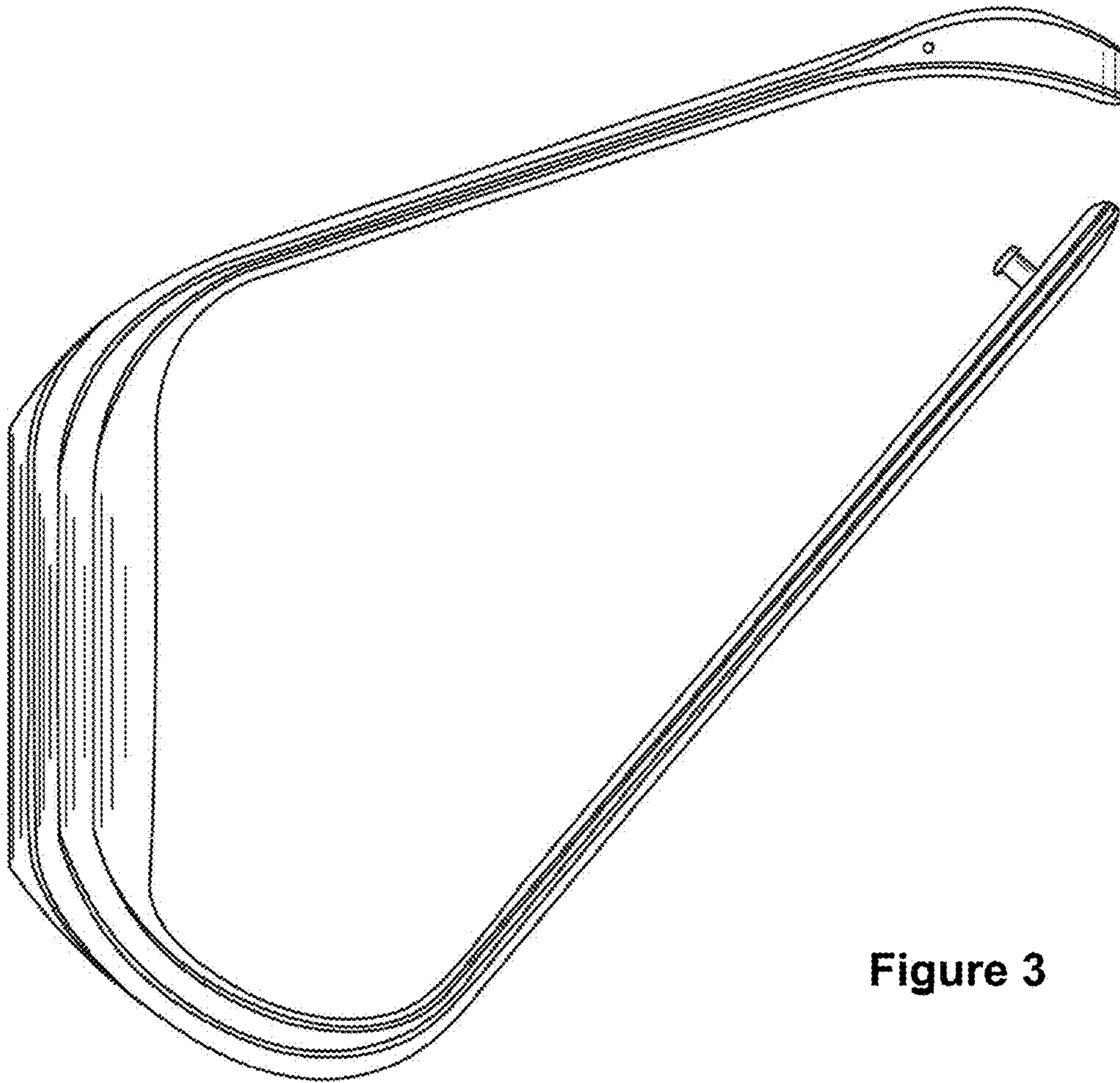


Figure 3



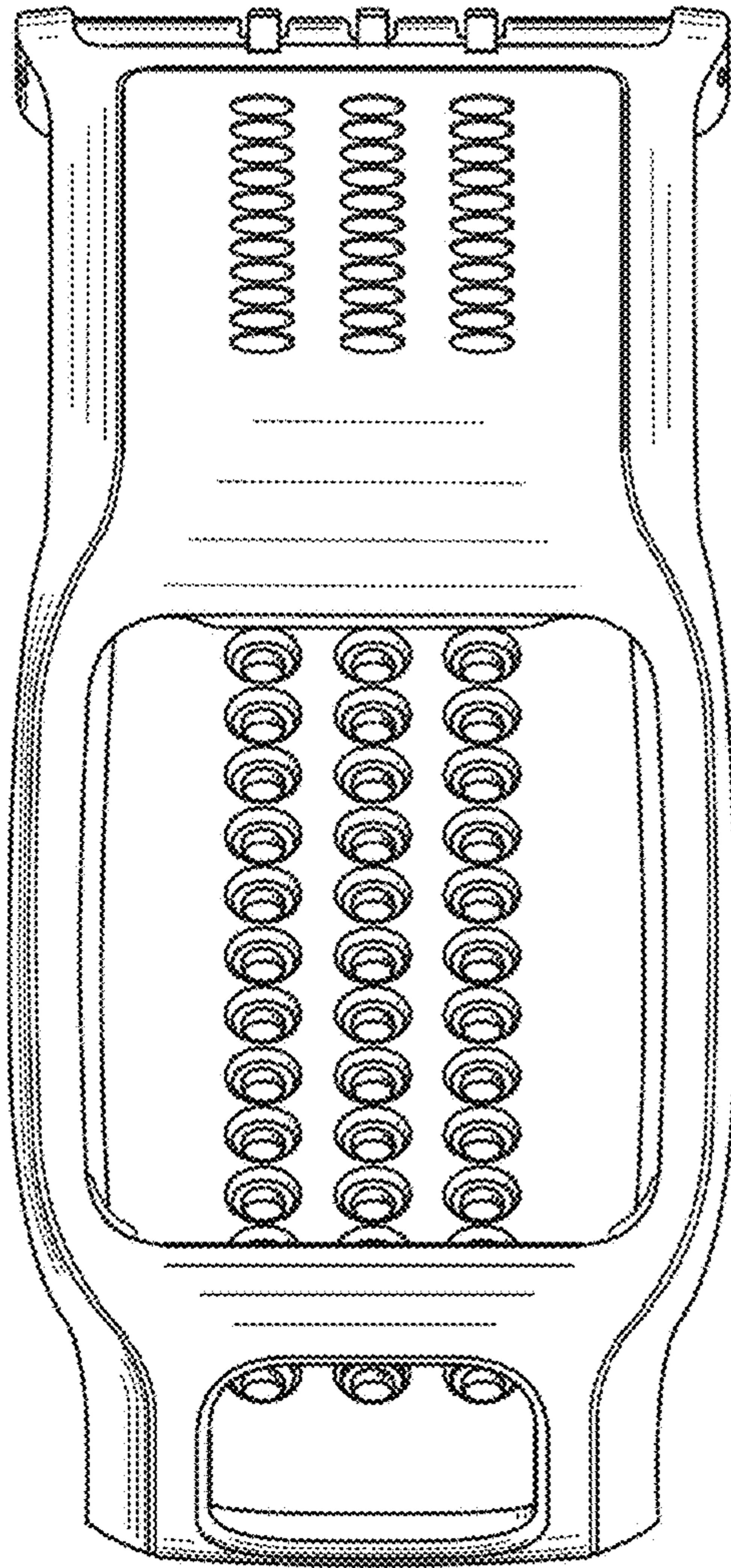


Figure 4

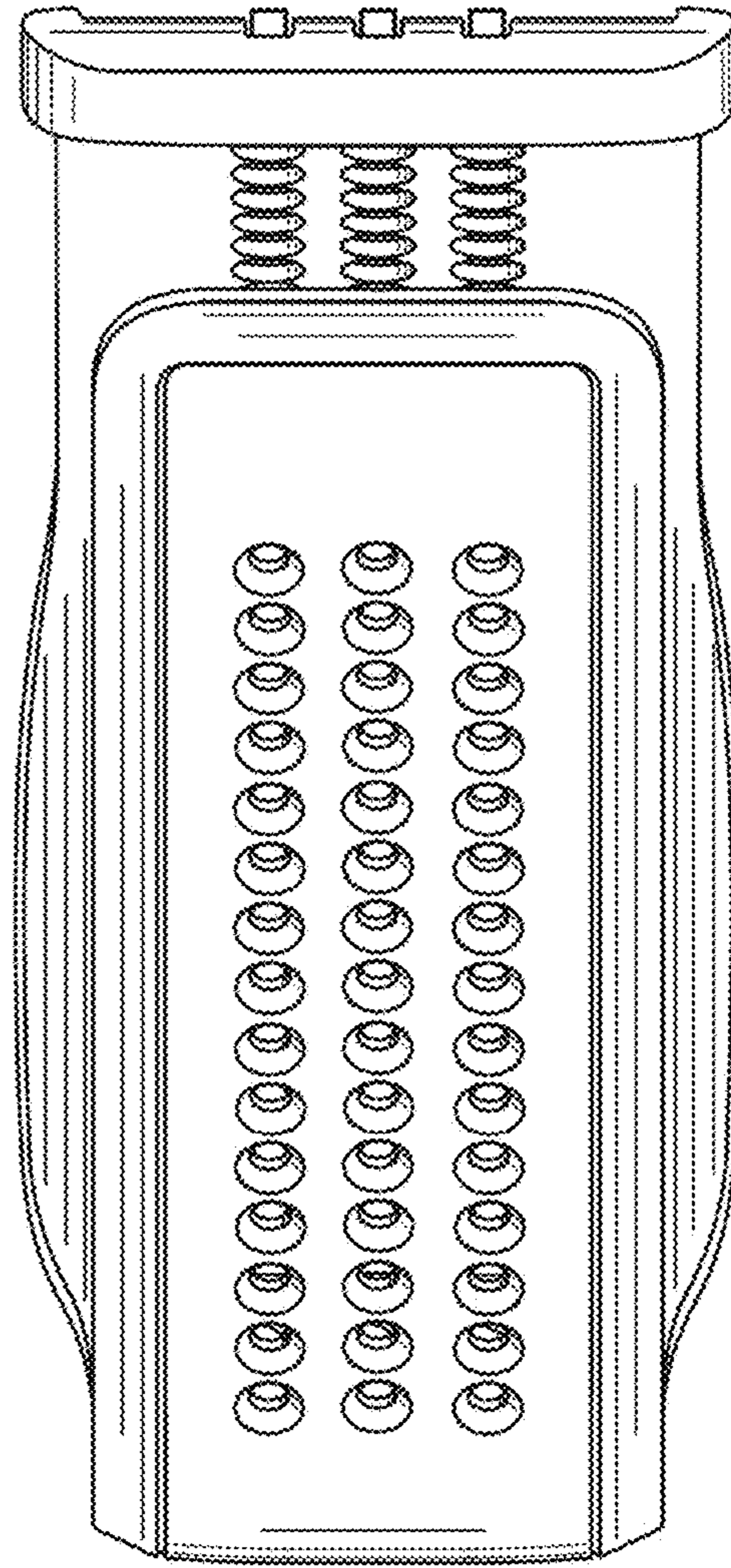


Figure 5

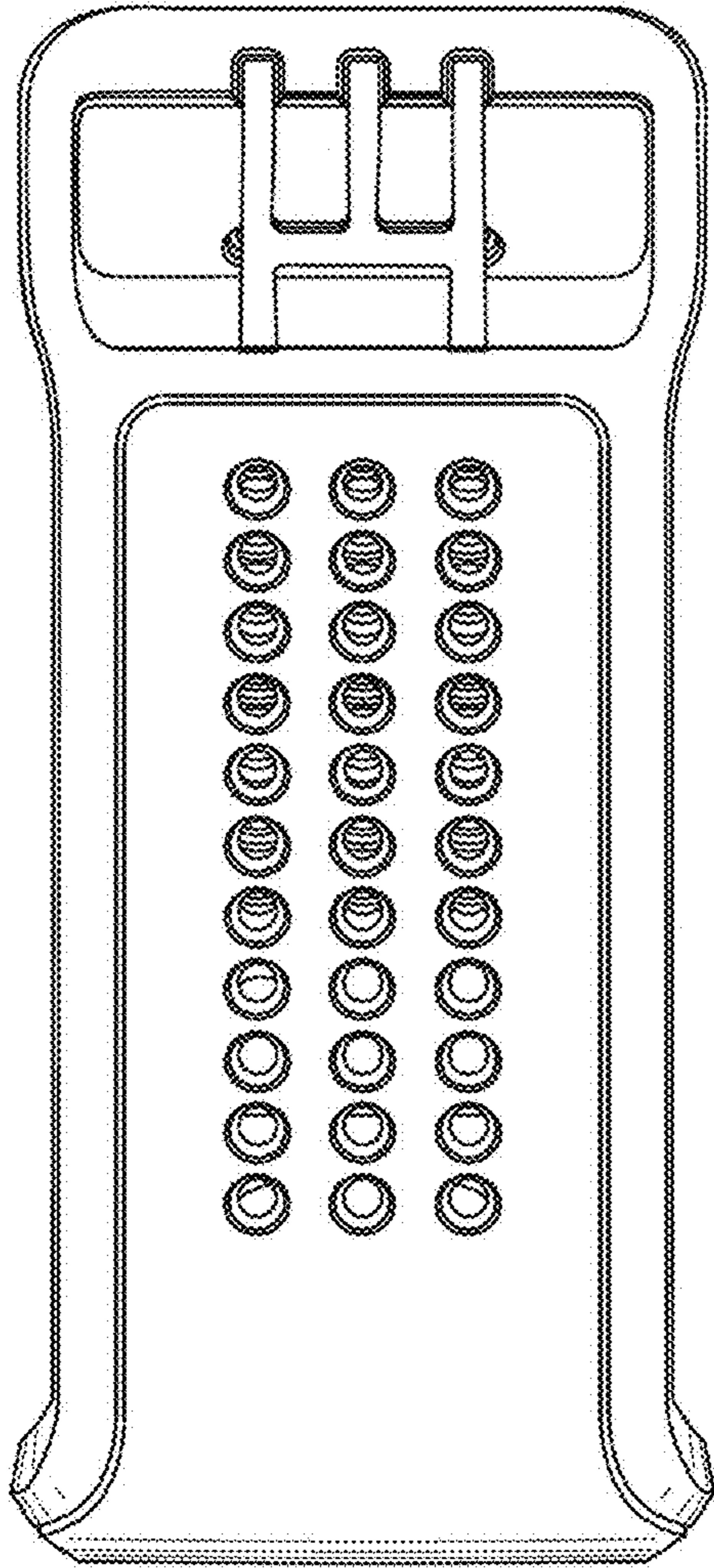


Figure 6

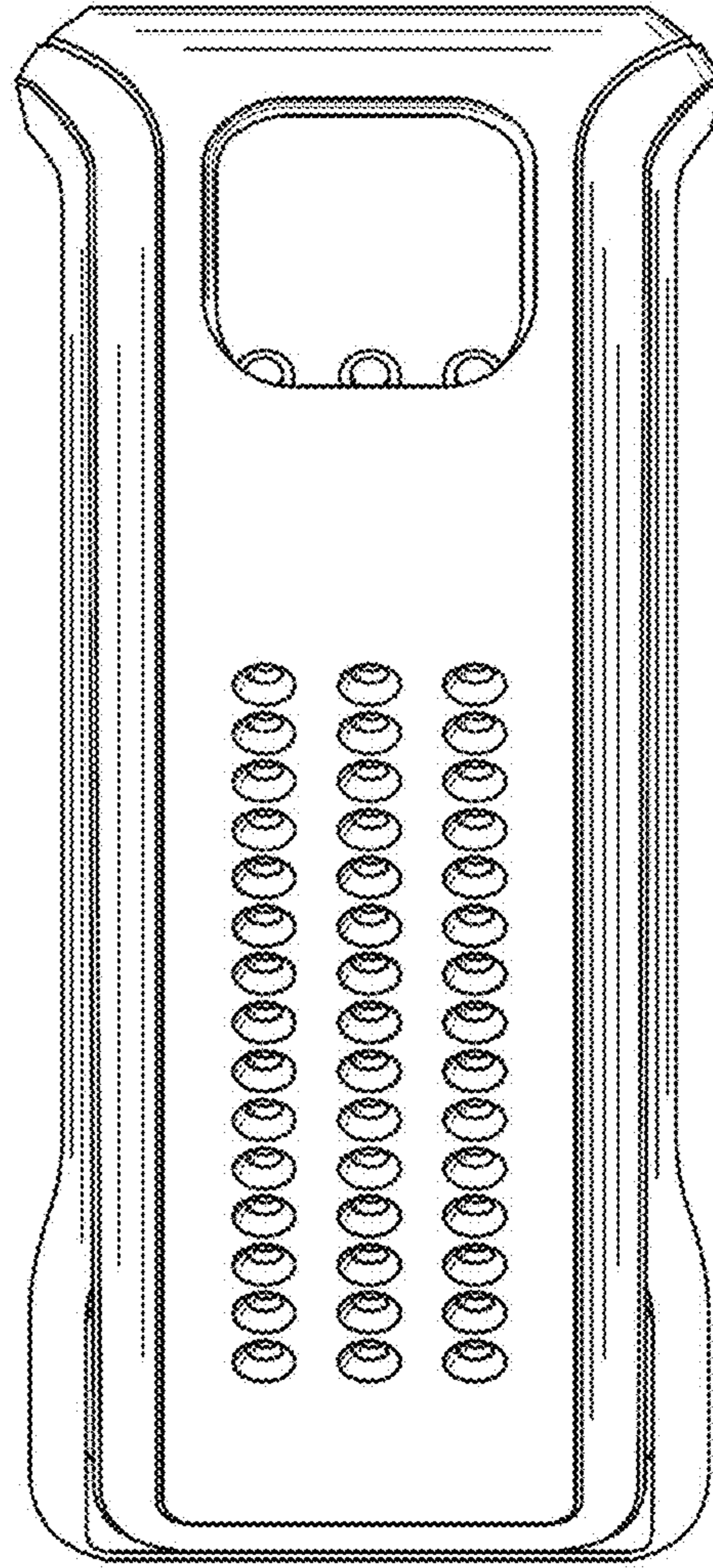


Figure 7