



US00D793262S

(12) **United States Design Patent** (10) **Patent No.:** **US D793,262 S**
Geskin Zinovi et al. (45) **Date of Patent:** **** Aug. 1, 2017**

- (54) **WIRELESS SENSORS**
- (71) Applicant: **Tyco Fire & Security GmbH**,
Neuhausen am Rheinfall (CH)
- (72) Inventors: **Zohar Geskin Zinovi**, Ramat Gan (IL);
Vitaly Roytenburd, Rishon Le Zion
(IL); **Yigal Brodetsky**, Rishon Le Zion
(IL)
- (73) Assignee: **Tyco Fire & Security GmbH**,
Neuhausen am Rheinfall (CH)
- (**) Term: **14 Years**
- (21) Appl. No.: **29/514,636**
- (22) Filed: **Jan. 14, 2015**
- (51) **LOC (10) Cl.** **10-05**
- (52) **U.S. Cl.**
USPC **D10/104.1**
- (58) **Field of Classification Search**
USPC D10/104.1, 106.1; D26/67
CPC G08B 13/22; G08B 13/24; G08B 13/26
See application file for complete search history.

- D519,394 S * 4/2006 DiPasquale D10/106.1
- D713,277 S * 9/2014 Hasegawa D10/106.6
- D744,884 S * 12/2015 Roberts D10/104.1
- D747,228 S * 1/2016 Fiedler D10/104.1
- D777,050 S * 1/2017 Will D10/104.1
- D778,185 S * 2/2017 Ookawa D10/104.1

* cited by examiner

Primary Examiner — George D. Kirschbaum
(74) *Attorney, Agent, or Firm* — HoustonHogle LLP

(57) **CLAIM**

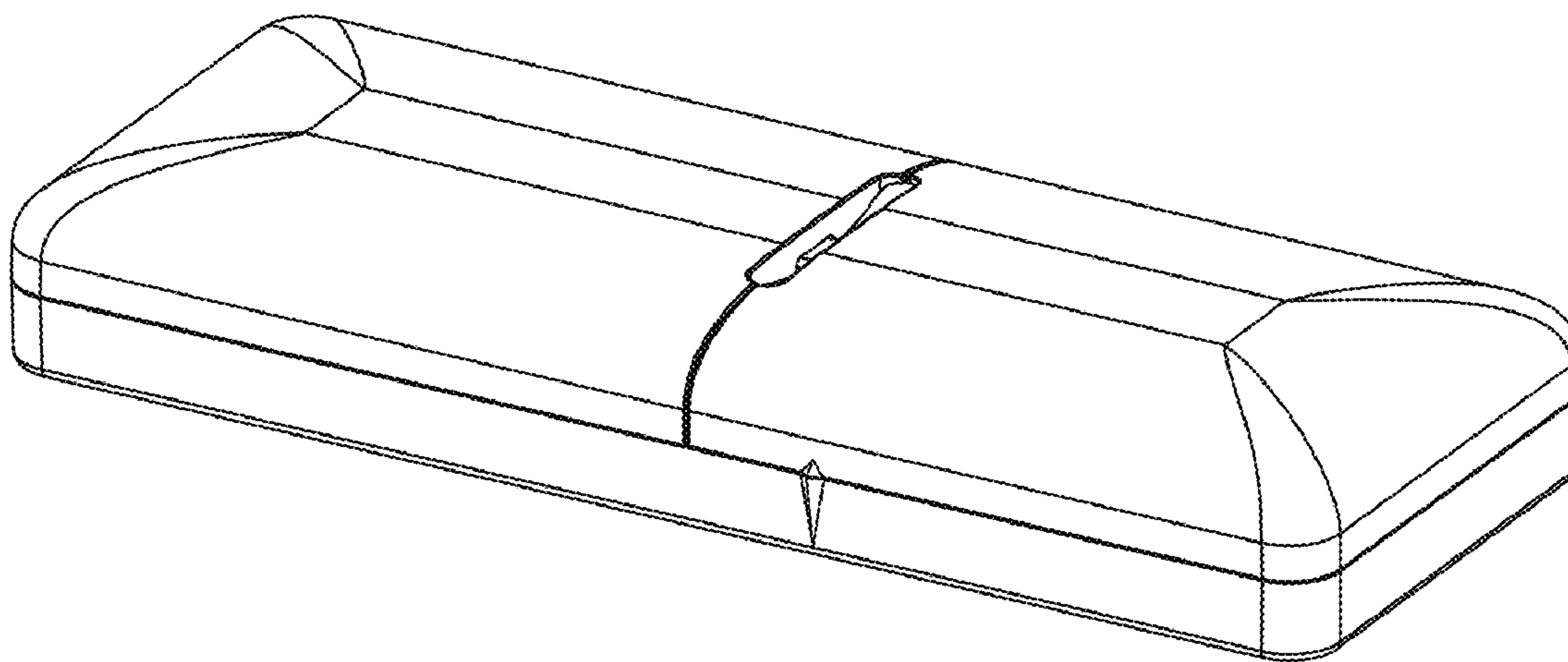
Ornamental designs for wireless sensors, as shown and described.

DESCRIPTION

FIG. 1 is a top perspective view of a wireless sensor showing our new design;
FIG. 2 is a bottom perspective view thereof;
FIG. 3 is a top view thereof;
FIG. 4 is a bottom view thereof;
FIG. 5 is a front view thereof;
FIG. 6 is a rear view thereof;
FIG. 7 is a left view thereof; and,
FIG. 8 is a right view thereof.
The broken lines depict unclaimed environmental subject matter.

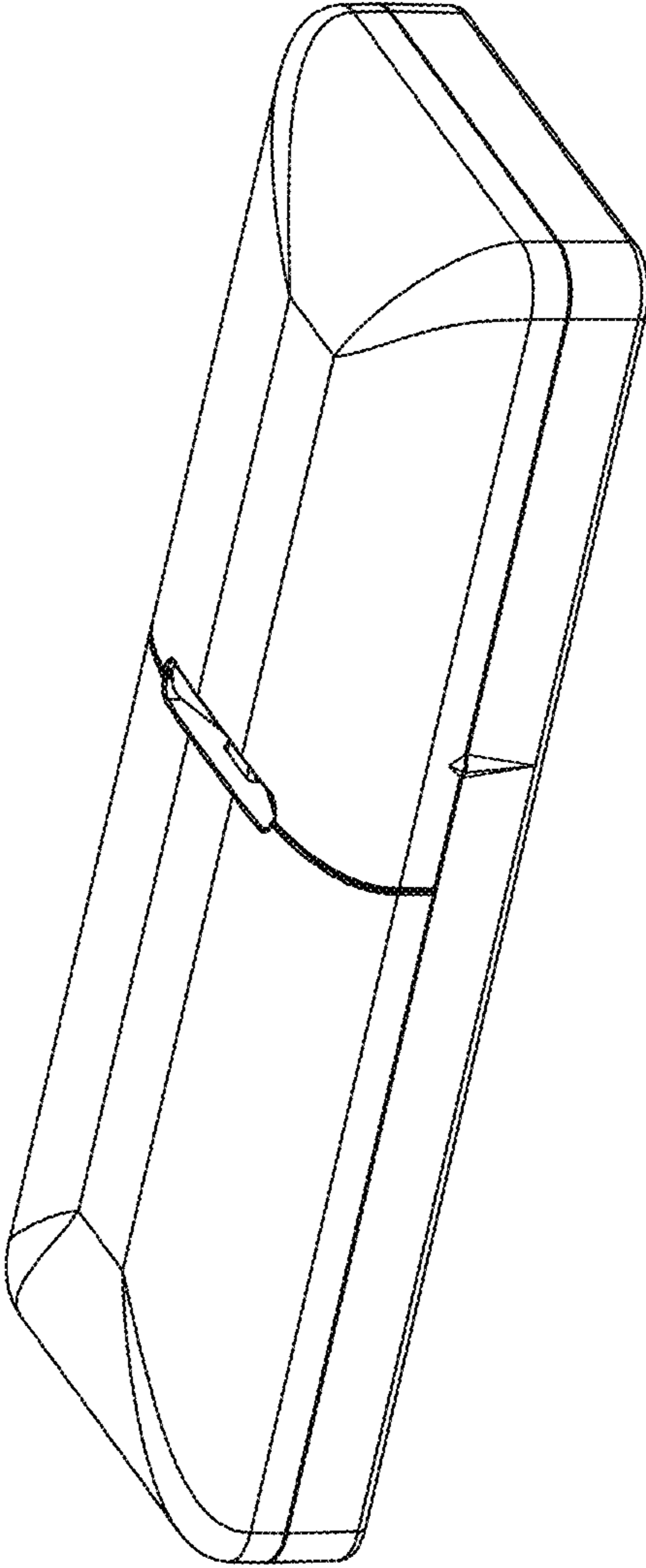
1 Claim, 7 Drawing Sheets

- (56) **References Cited**
U.S. PATENT DOCUMENTS
D317,942 S * 7/1991 Fritz D10/106.1
D404,165 S * 1/1999 Vakil D26/67



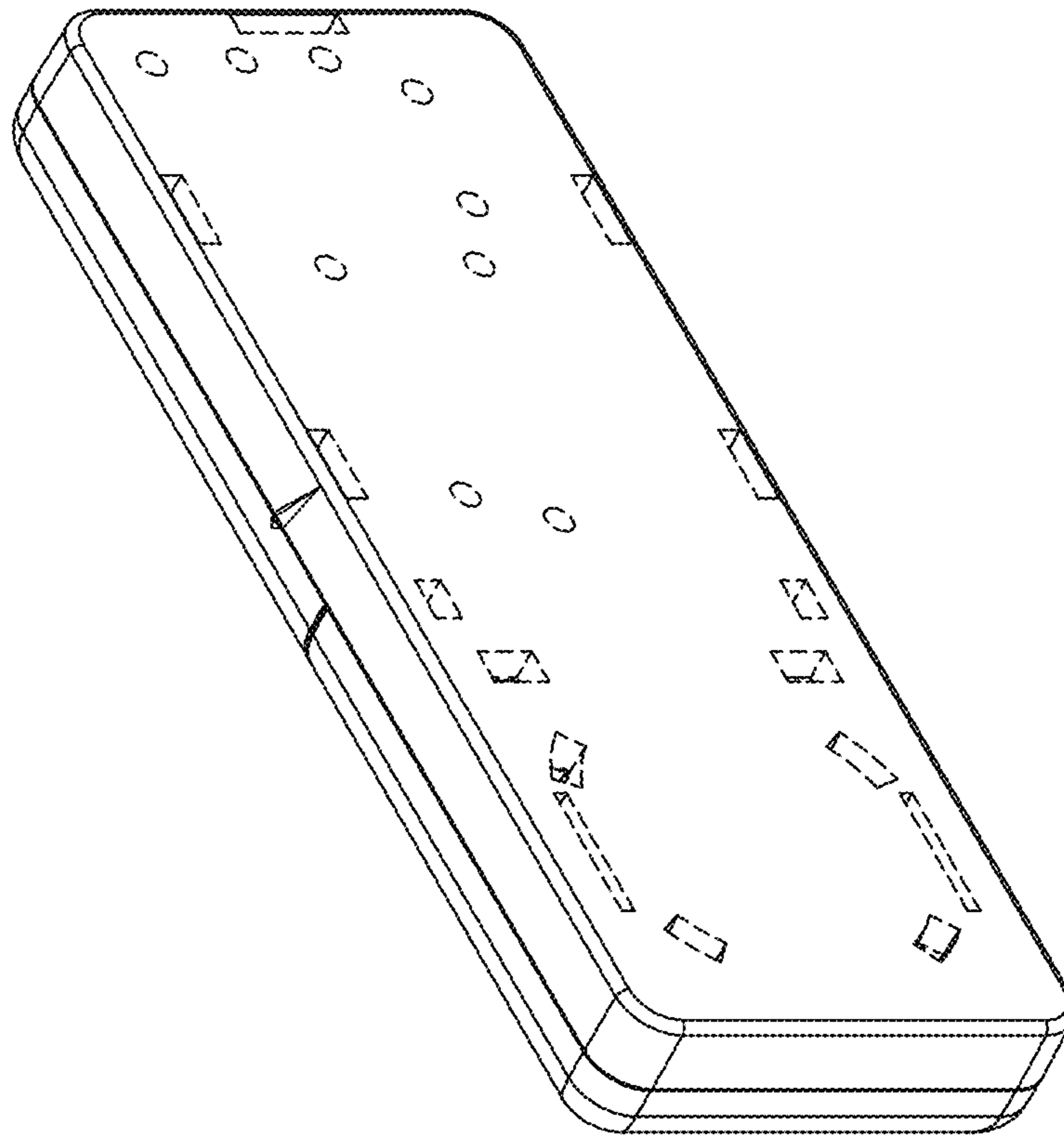
Top perspective view

FIG. 1



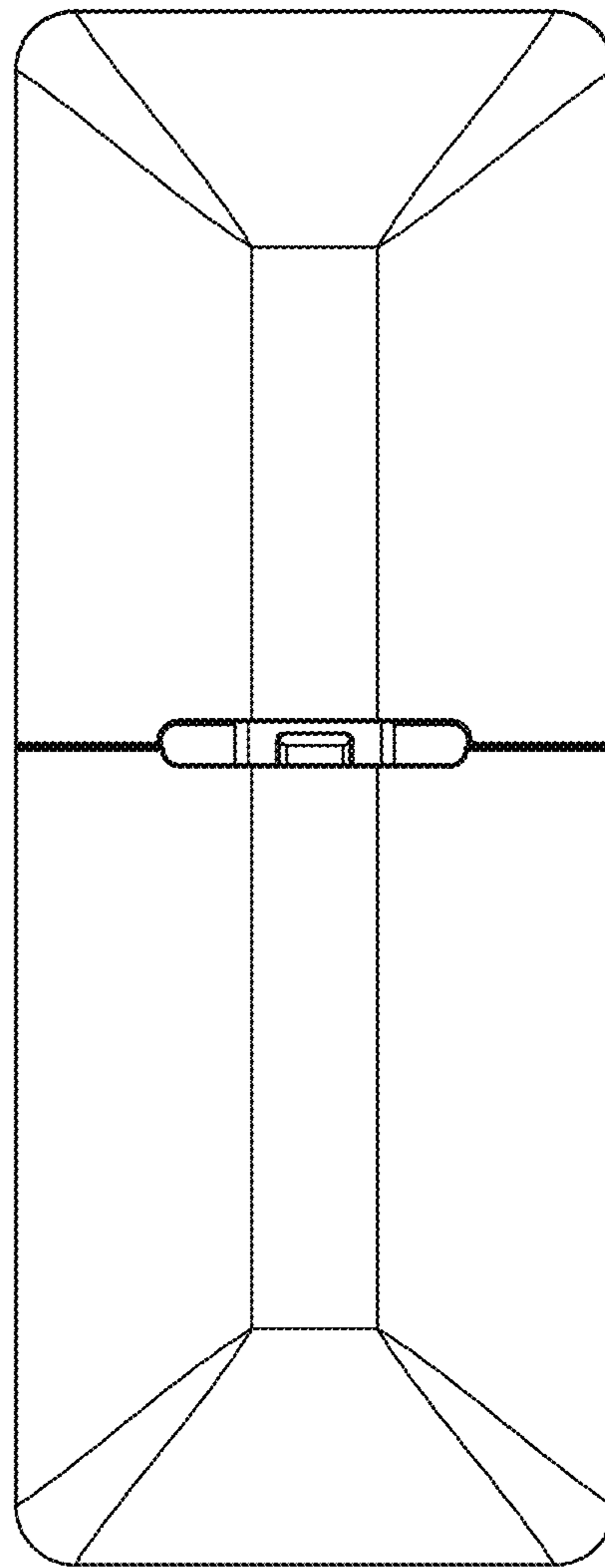
Top perspective view

FIG. 2



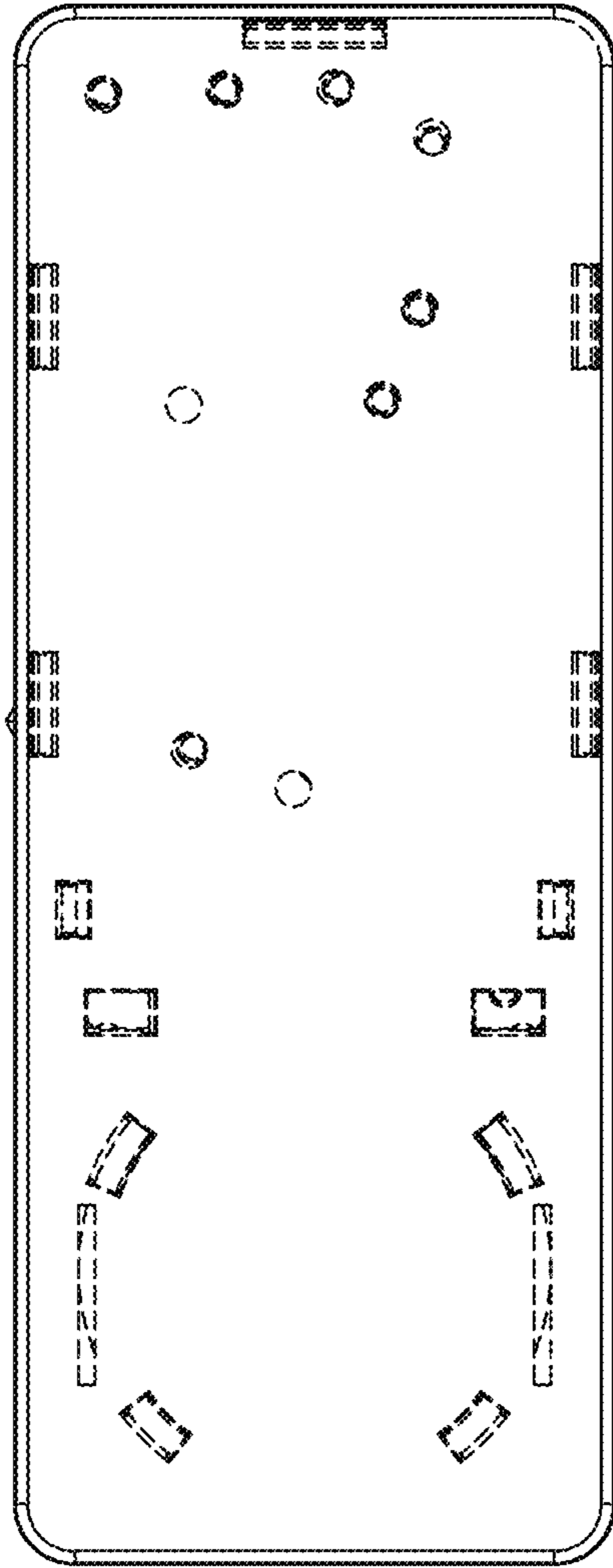
Bottom perspective view

FIG. 3



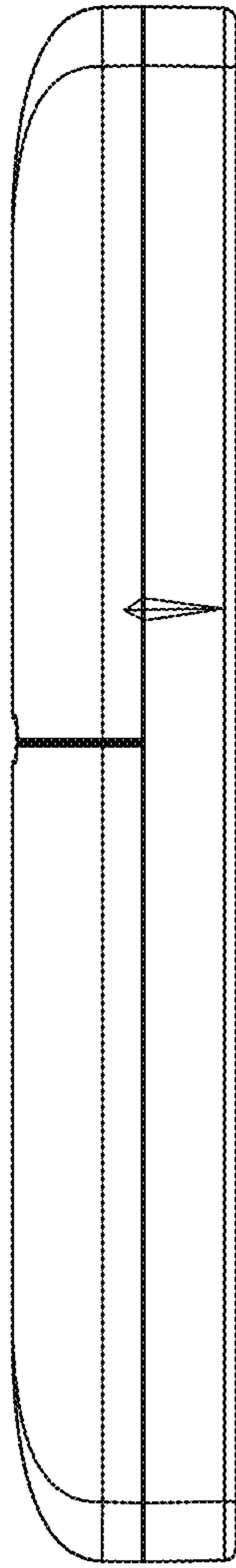
Top view

FIG. 4



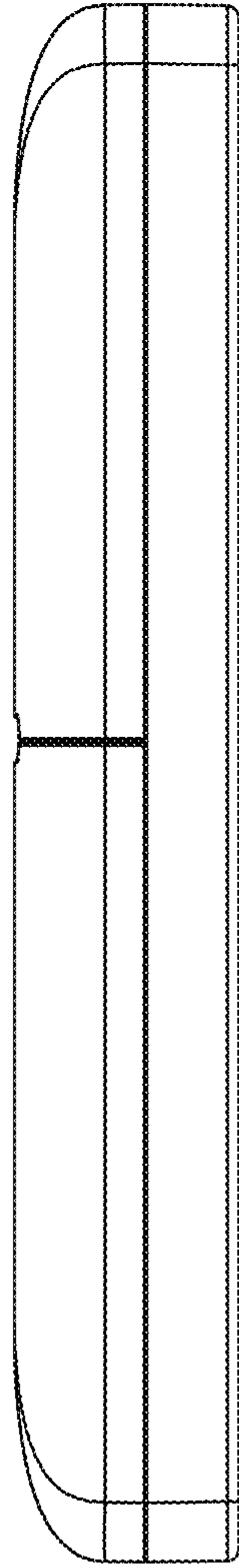
Bottom view

FIG. 5



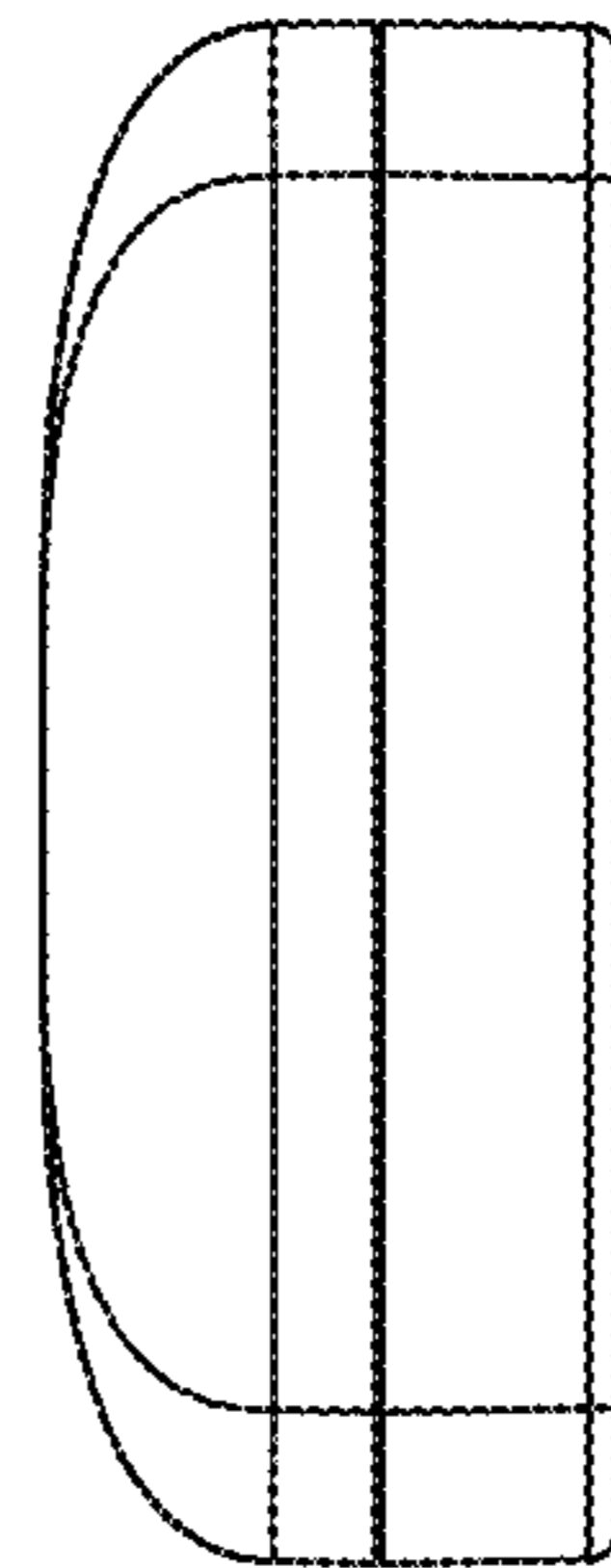
Front view

FIG. 6



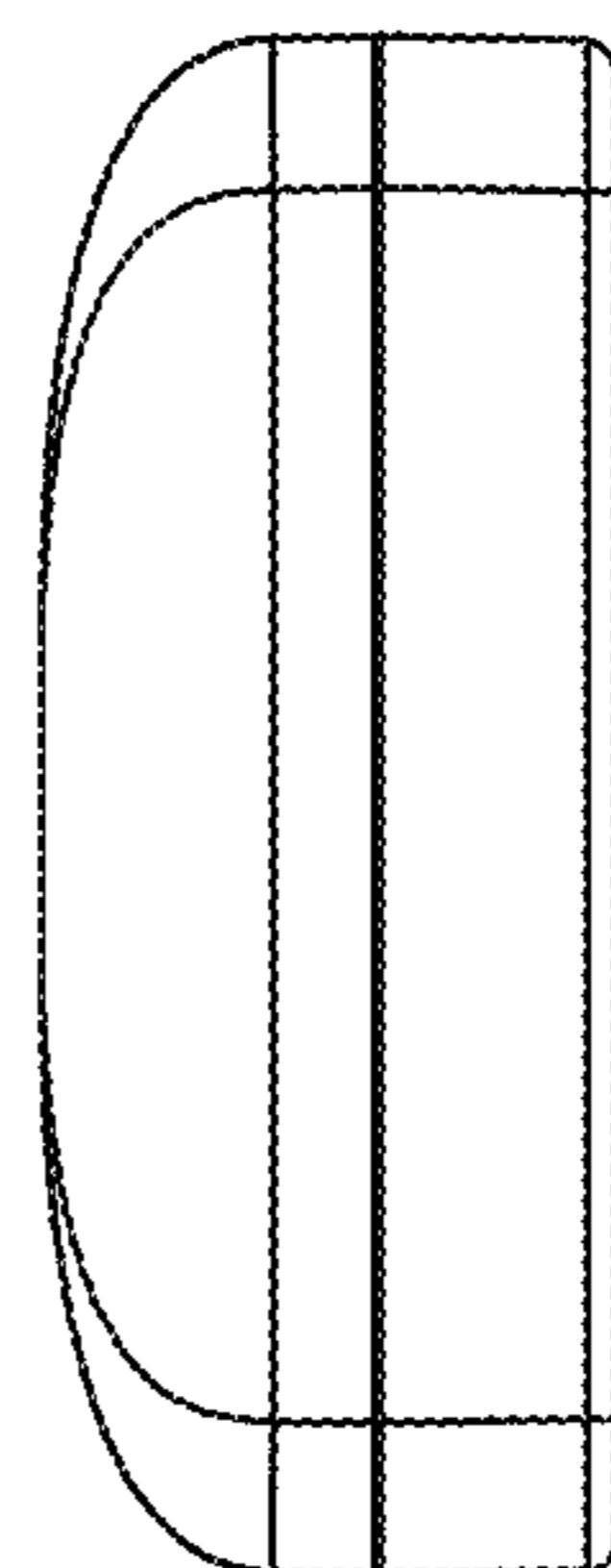
Rear view

FIG. 8



Right view

FIG. 7



Left view