



US00D793261S

(12) **United States Design Patent**  
**Takeya et al.**

(10) **Patent No.:** **US D793,261 S**  
(45) **Date of Patent:** **\*\* Aug. 1, 2017**

(54) **ELECTRIC POWER METER**

- (71) Applicant: **OMRON Corporation**, Kyoto-shi, Kyoto (JP)
- (72) Inventors: **Akihiro Takeya**, Kusatsu (JP); **Satoshi Motouji**, Kyoto (JP); **Shinichiro Iura**, Kameoka (JP); **Goro Kawakami**, Kusatsu (JP); **Naoki Okada**, Itami (JP); **Koyuru Nakano**, Nara (JP); **Kazuo Inaba**, Nagaokakyo (JP)
- (73) Assignee: **OMRON Corporation**, Kyoto-shi (JP)
- (\*\*) Term: **15 Years**
- (21) Appl. No.: **29/556,859**
- (22) Filed: **Mar. 3, 2016**

(30) **Foreign Application Priority Data**

Nov. 19, 2015 (JP) ..... 2015-025955

(51) **LOC (10) Cl.** ..... **10-04**

(52) **U.S. Cl.**  
USPC ..... **D10/103**

(58) **Field of Classification Search**  
USPC ..... D10/99, 100, 102, 103  
CPC ..... G01R 22/00; G01R 22/06; G01R 22/061; G01R 22/08; G01R 22/10; G01R 22/065; G01R 21/00; G01R 21/06; G01R 21/133; G01R 21/1331; G01R 21/1333; G01R 21/1335; G01R 21/1336; G01R 21/1338  
See application file for complete search history.

(56) **References Cited**

**U.S. PATENT DOCUMENTS**

D703,078 S	*	4/2014	Hong	.....	D10/100
D772,088 S	*	11/2016	Kono	.....	D10/100
D774,931 S	*	12/2016	Kono	.....	D10/100

**OTHER PUBLICATIONS**

U.S. Appl. No. 29/556,856, filed Mar. 3, 2016; Takeya et al.

\* cited by examiner

*Primary Examiner* — Antoine D Davis

(74) *Attorney, Agent, or Firm* — Sterne, Kessler, Goldstein & Fox P.L.L.C.

(57) **CLAIM**

The ornamental design for an electric power meter, as shown and described.

**DESCRIPTION**

FIG. 1 is a top, front and left side perspective view of an electric power meter;  
 FIG. 2 is a front elevational view thereof;  
 FIG. 3 is a rear elevational view thereof;  
 FIG. 4 is a left side view thereof;  
 FIG. 5 is a right side view thereof;  
 FIG. 6 is a top plan view thereof;  
 FIG. 7 is a bottom plan view thereof;  
 FIG. 8 is a top, front and left side perspective view thereof in an opened position;  
 FIG. 9 is a top, front and right side perspective view thereof in the opened position; and,  
 FIG. 10 is a perspective cross-sectional view taken along the line X-X of FIG. 2.

The dashed broken lines in the figures show portions of the electric power meter that form no part of the claimed design.

**1 Claim, 10 Drawing Sheets**

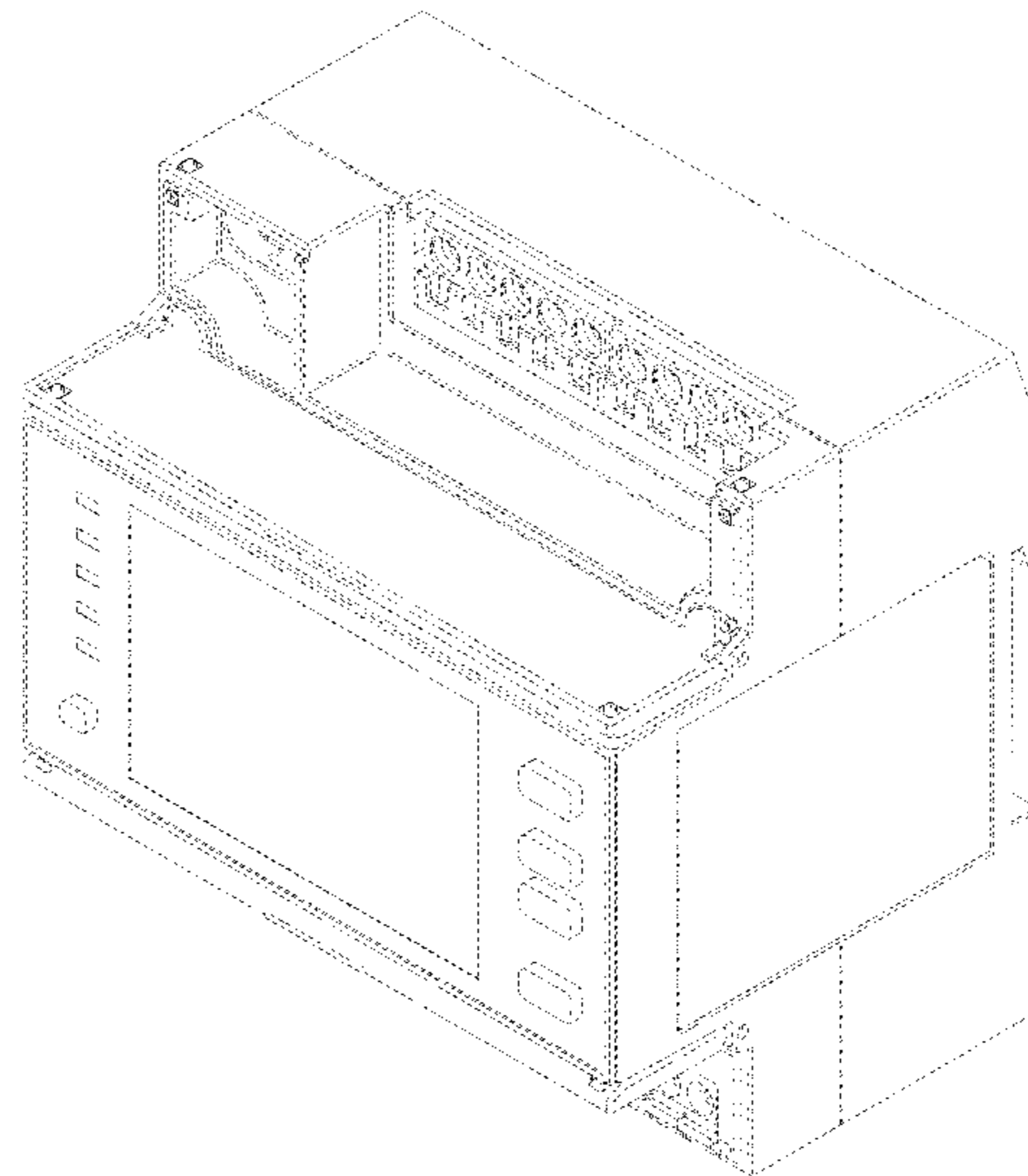
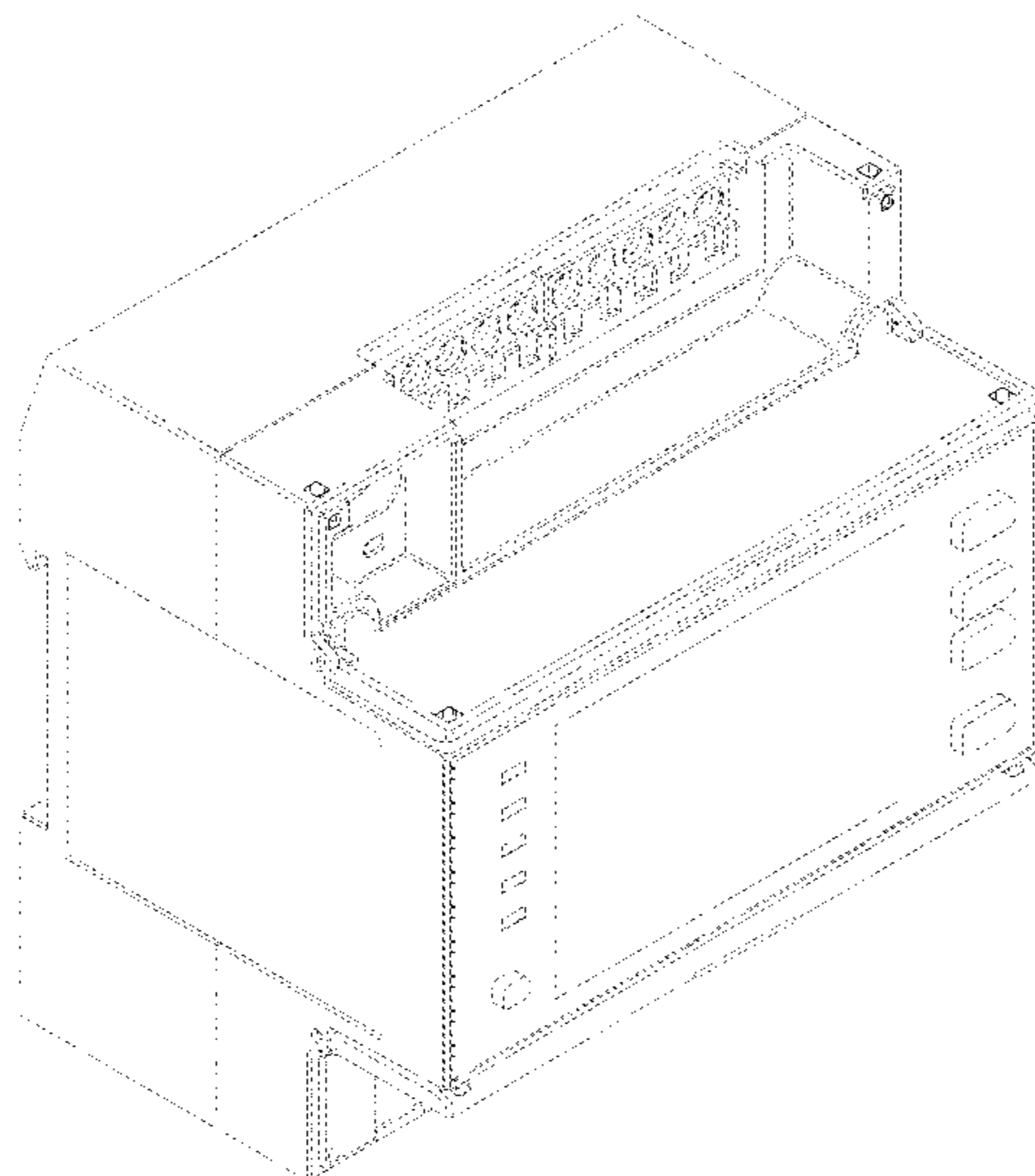


Fig. 1

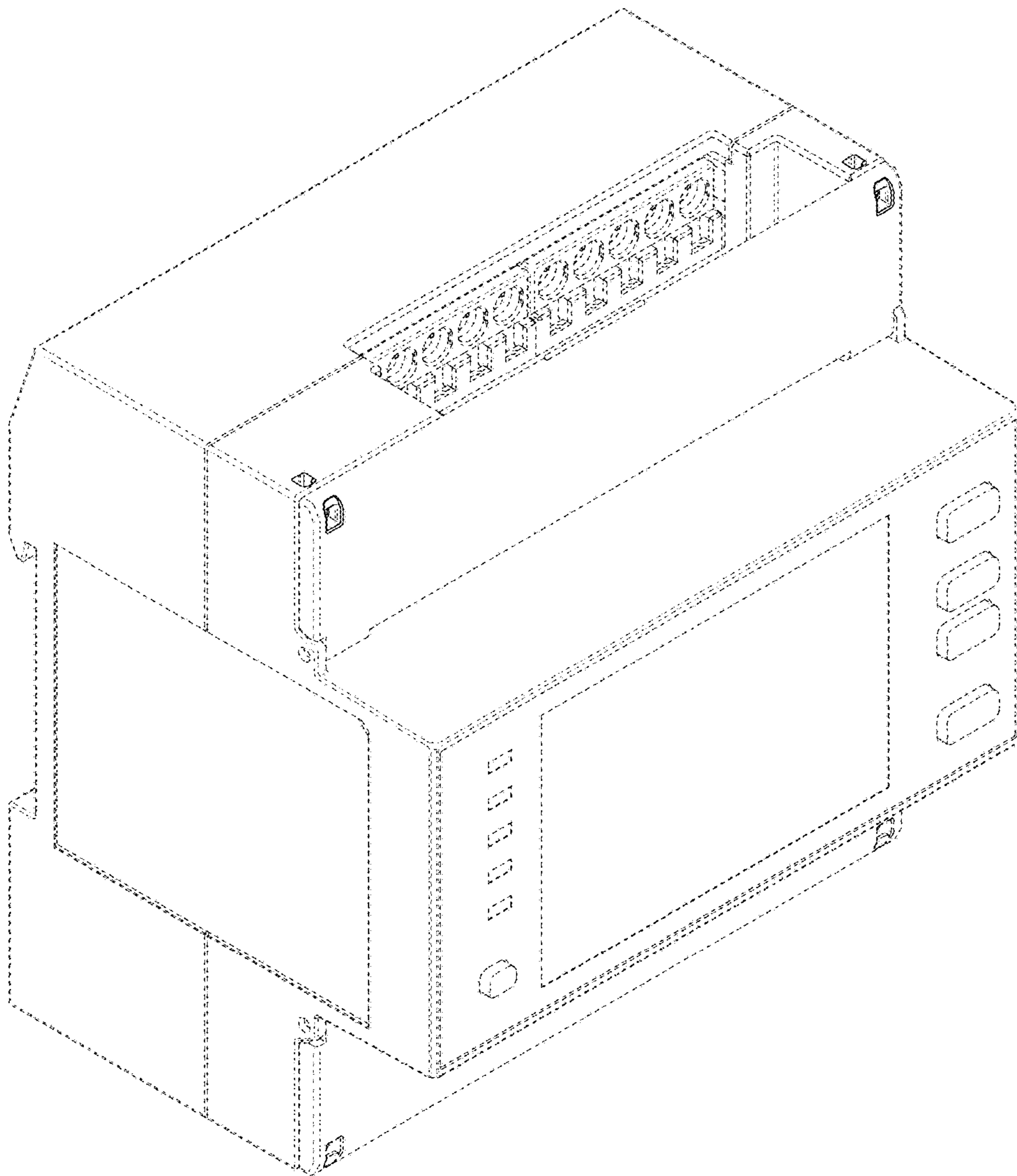


Fig. 2

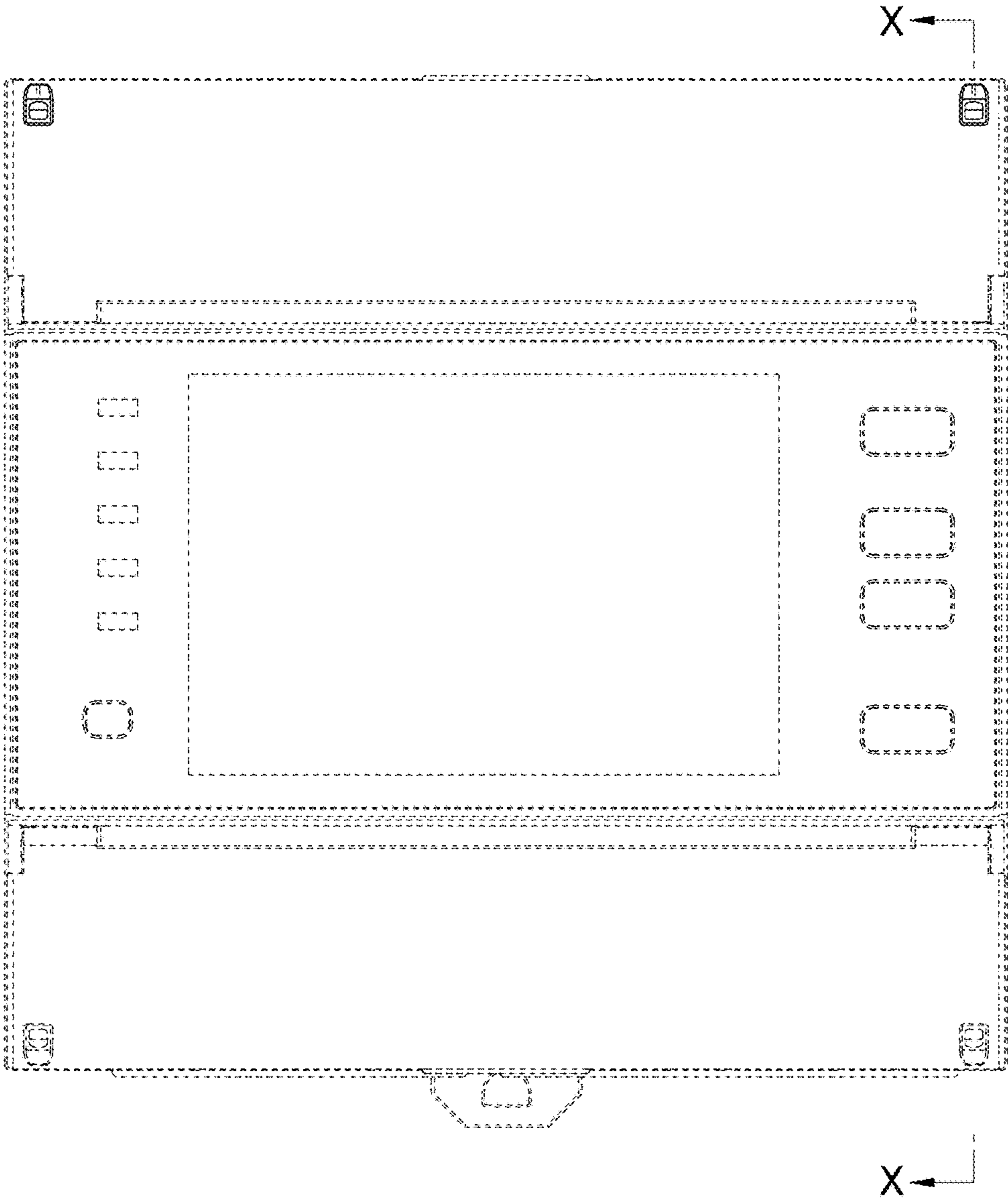


Fig. 3

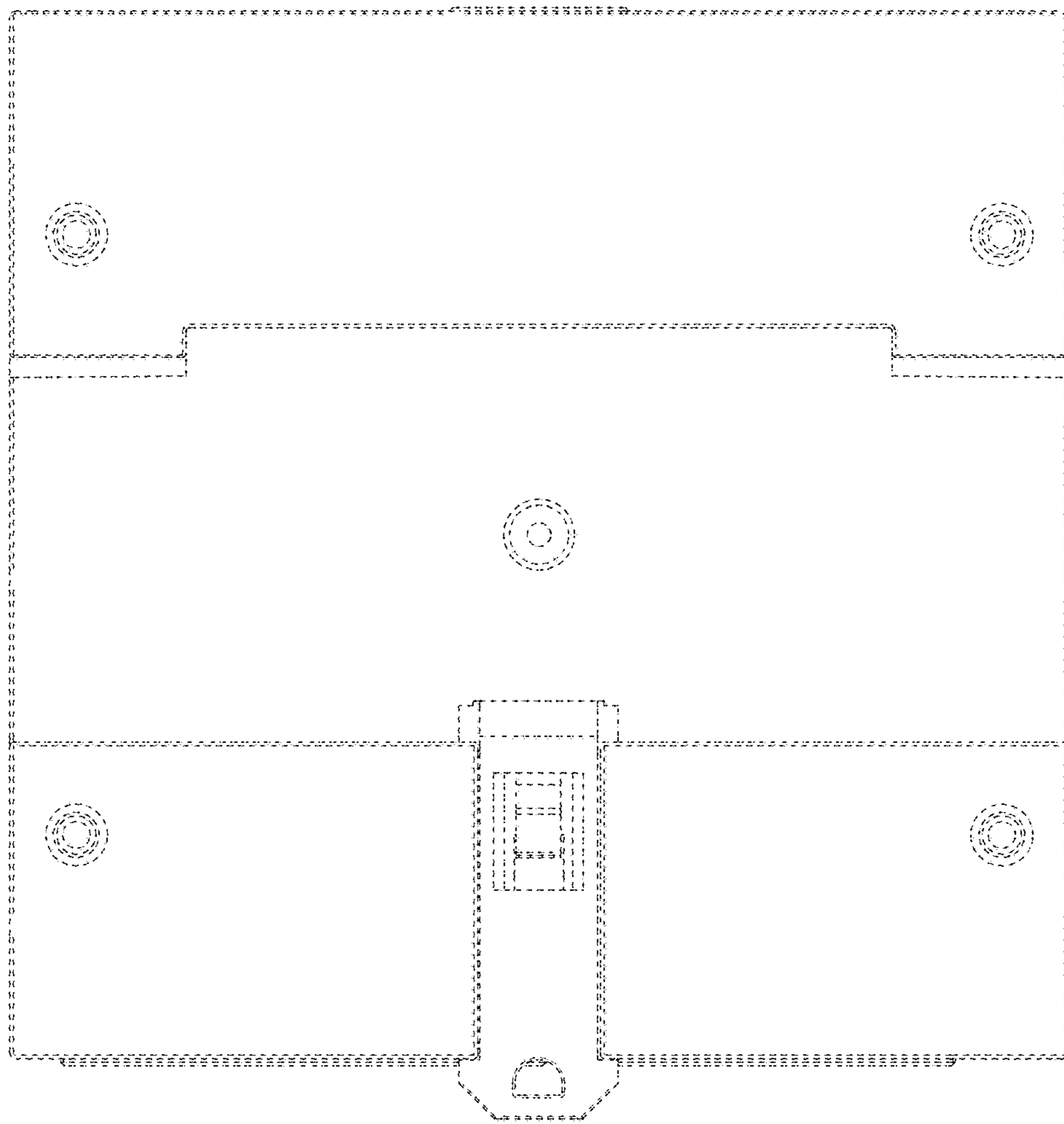


Fig. 4

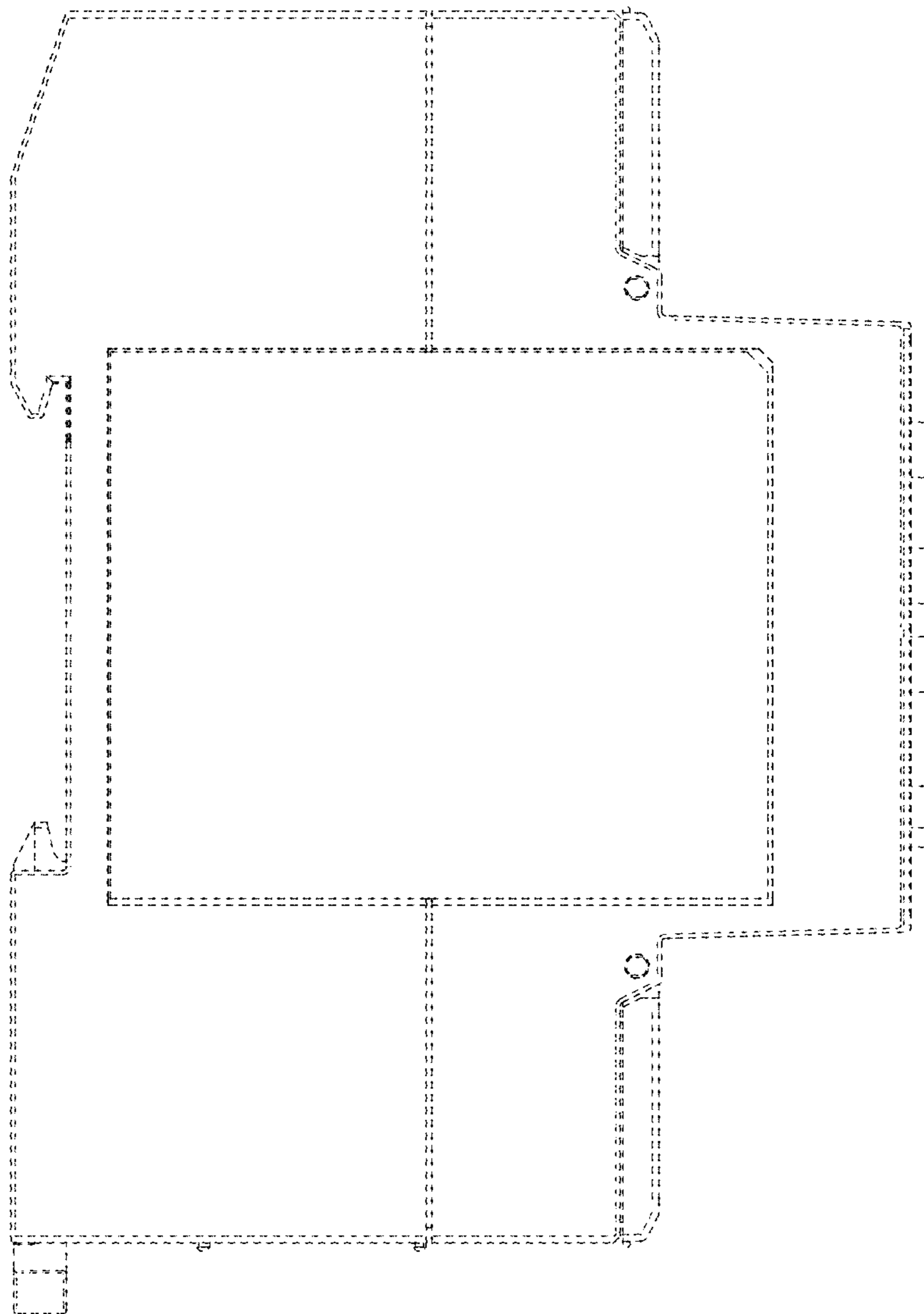


Fig. 5

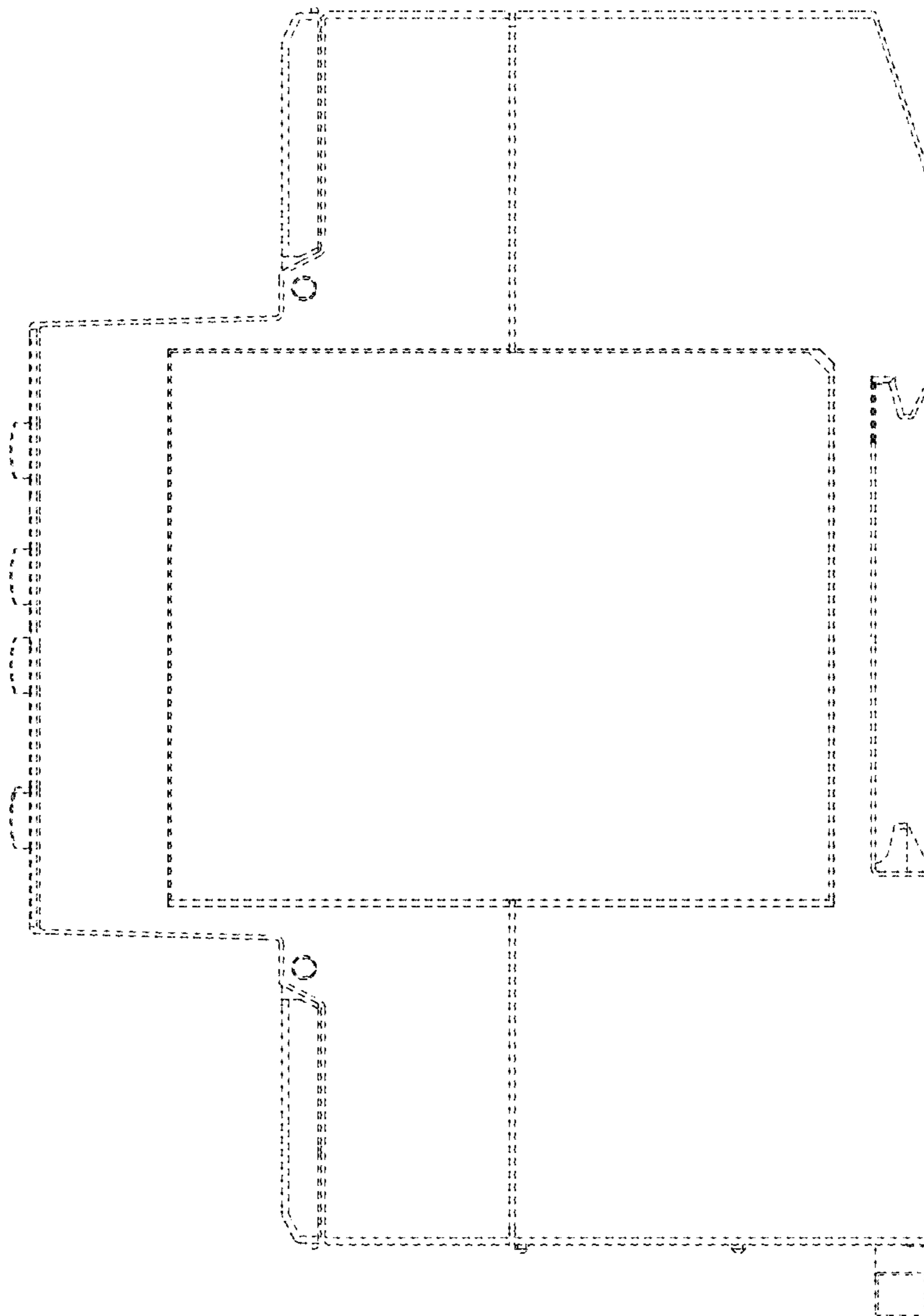


Fig. 6

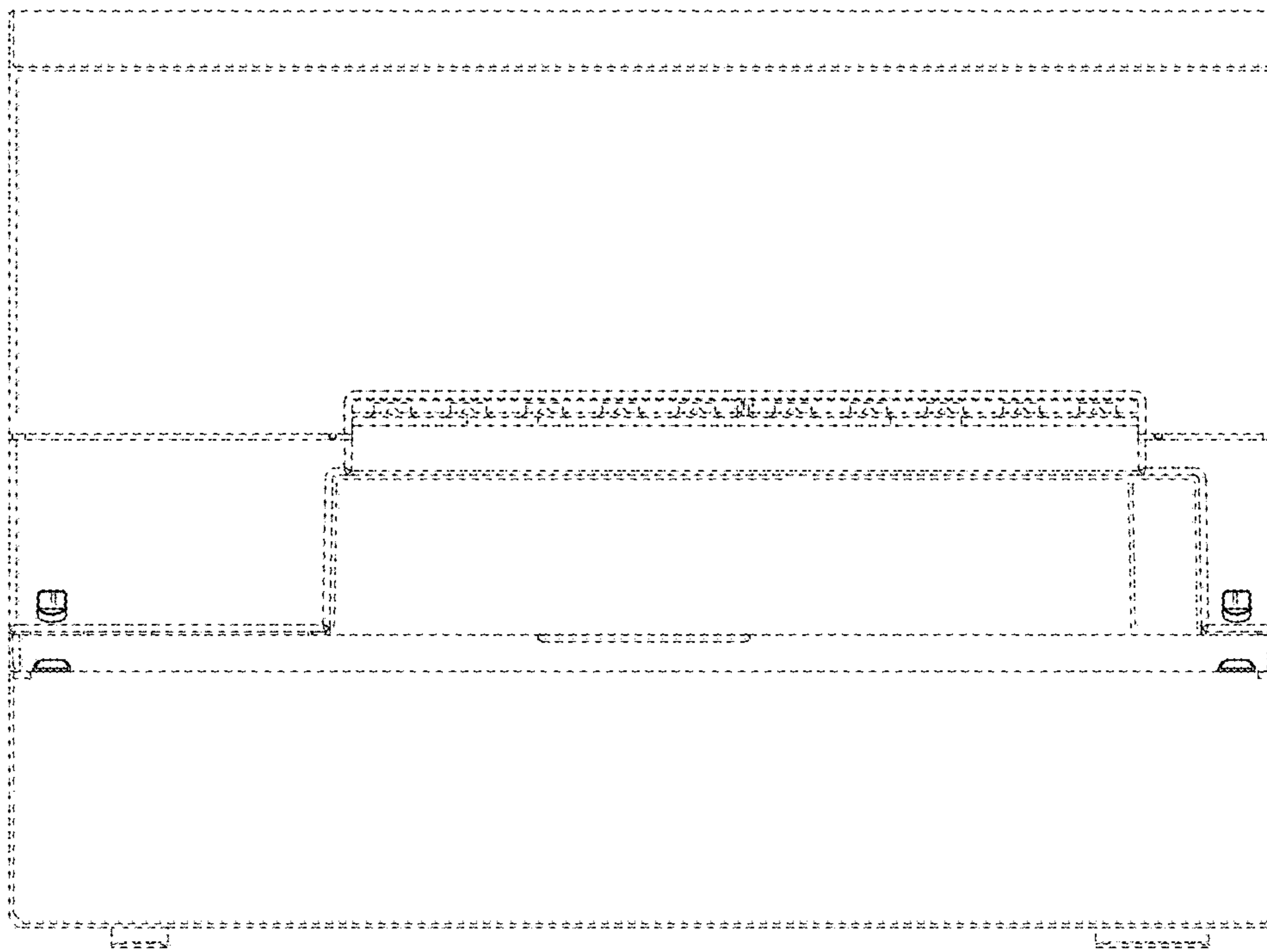


Fig. 7

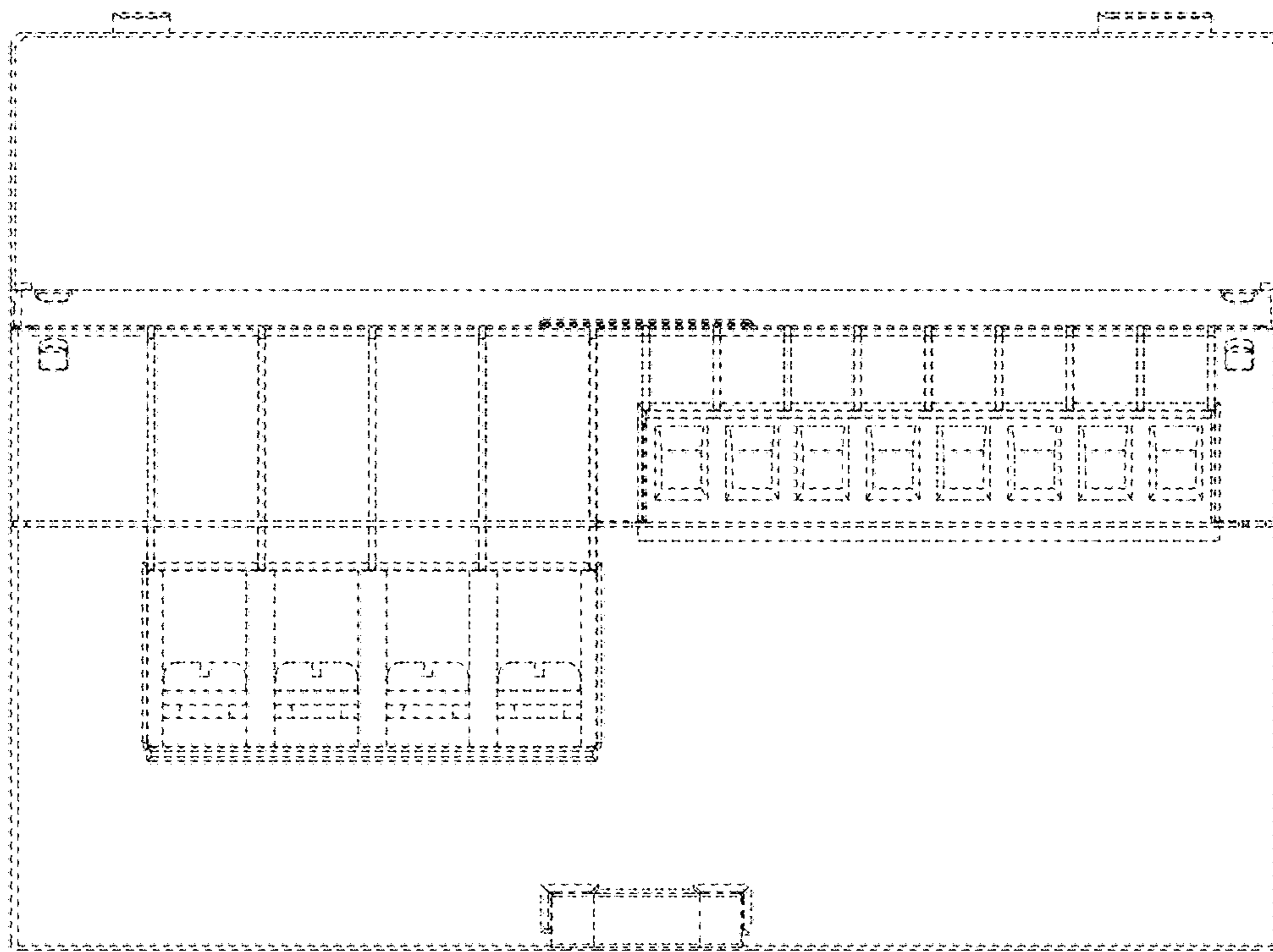




Fig. 8

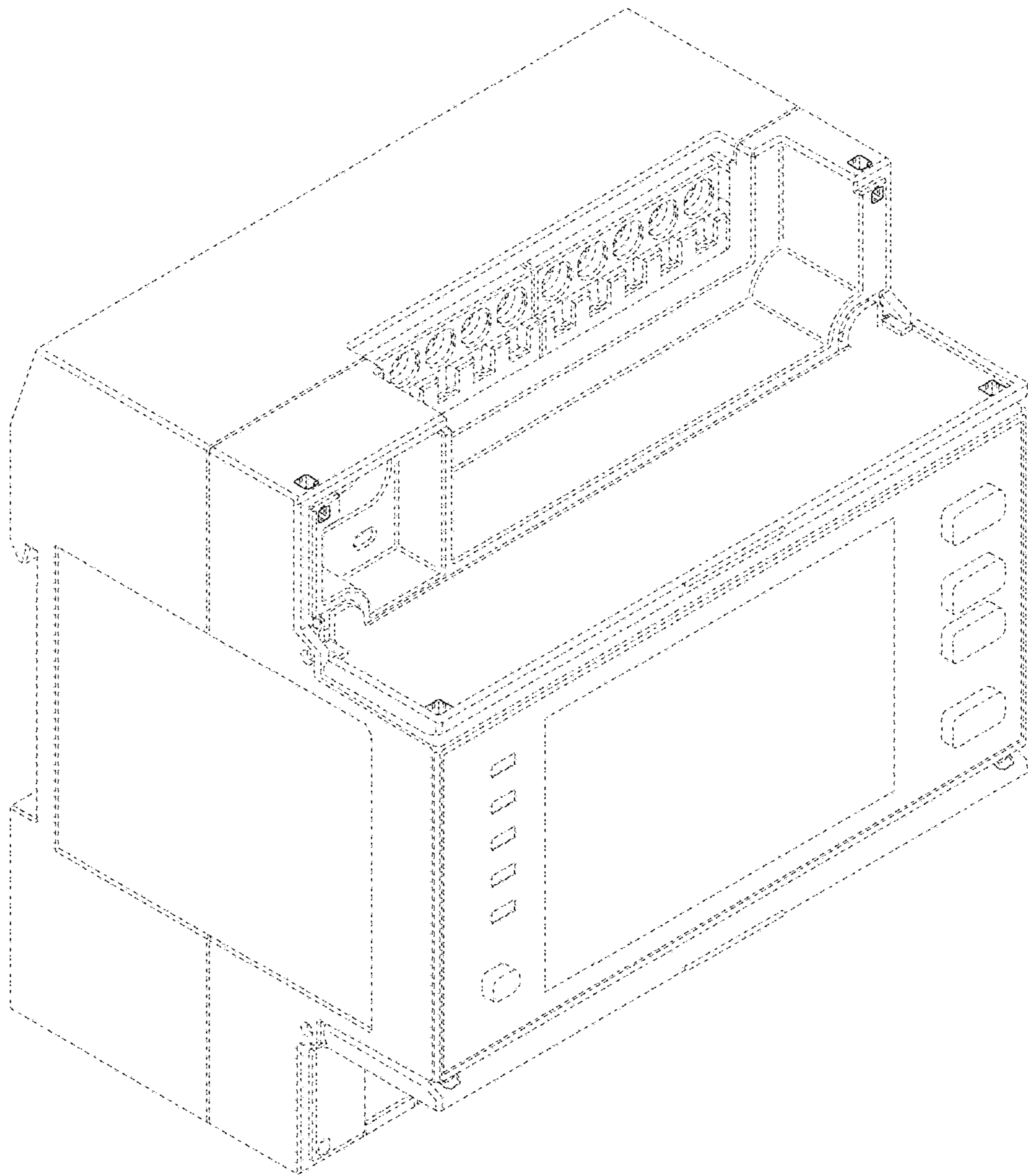


Fig. 9

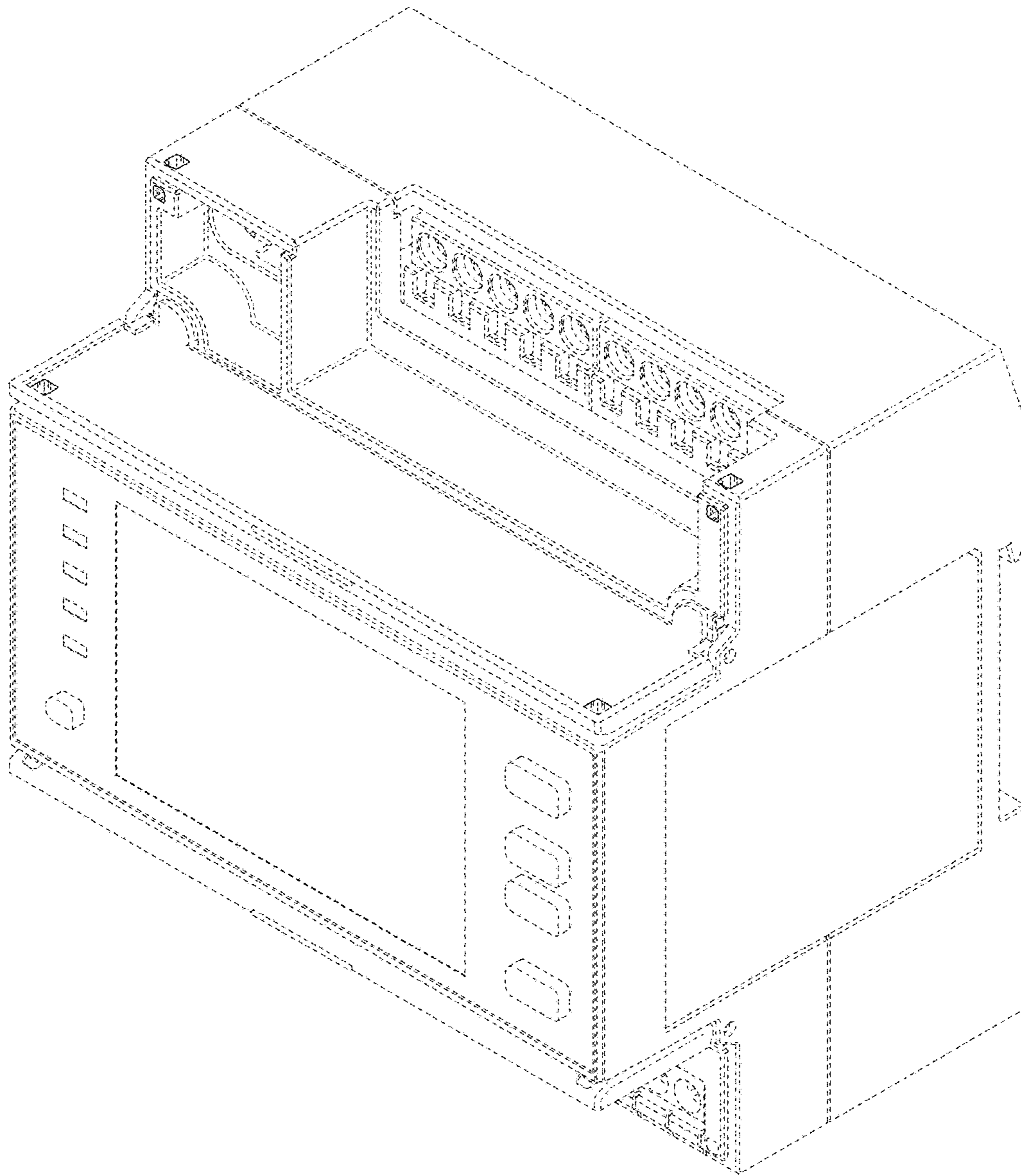


Fig. 10

