



US00D793260S

(12) **United States Design Patent**
Takeya et al.

(10) **Patent No.:** **US D793,260 S**

(45) **Date of Patent:** **** Aug. 1, 2017**

(54) **ELECTRIC POWER METER**

(71) Applicant: **OMRON Corporation**, Kyoto-shi,
Kyoto (JP)

(72) Inventors: **Akihiro Takeya**, Kusatsu (JP);
Shinichiro Iura, Kameoka (JP); **Naoki Okada**, Itami (JP); **Koyuru Nakano**, Nara (JP); **Kazuo Inaba**, Nagaokakyo (JP); **Goro Kawakami**, Kusatsu (JP); **Satoshi Motouji**, Kyoto (JP)

(73) Assignee: **OMRON Corporation**, Kyoto-shi (JP)

(**) Term: **15 Years**

(21) Appl. No.: **29/556,856**

(22) Filed: **Mar. 3, 2016**

(30) **Foreign Application Priority Data**

Nov. 19, 2015 (JP) 2015-025953

(51) **LOC (10) Cl.** **10-04**

(52) **U.S. Cl.**
USPC **D10/99; D10/100**

(58) **Field of Classification Search**
USPC D10/99, 100, 102, 103
CPC G01R 22/00; G01R 22/06; G01R 22/061;
G01R 22/08; G01R 22/10; G01R 22/065;
G01R 21/00; G01R 21/06; G01R 21/133;
G01R 21/1331; G01R 21/1333; G01R
21/1335; G01R 21/1336; G01R 21/1338
See application file for complete search history.

(56) **References Cited**

U.S. PATENT DOCUMENTS

D703,078 S * 4/2014 Hong D10/100
D772,088 S * 11/2016 Kono D10/100
D774,931 S * 12/2016 Kono D10/100

OTHER PUBLICATIONS

U.S. Appl. No. 29/556,857, filed Mar. 3, 2016; Takeya et al.

U.S. Appl. No. 29/556,859, filed Mar. 3, 2016; Takeya et al.

* cited by examiner

Primary Examiner — Antoine D Davis

(74) *Attorney, Agent, or Firm* — Sterne, Kessler,
Goldstein & Fox P.L.L.C.

(57) **CLAIM**

The ornamental design for an electric power meter, as shown and described.

DESCRIPTION

FIG. 1 is a top, front and left side perspective view of an electric power meter;
FIG. 2 is a bottom, rear and right side perspective view thereof;
FIG. 3 is a front elevational view thereof;
FIG. 4 is a rear elevational view thereof;
FIG. 5 is a left side view thereof;
FIG. 6 is a right side view thereof;
FIG. 7 is a top plan view thereof;
FIG. 8 is a bottom plan view thereof;
FIG. 9 is a top, front and left side perspective view thereof in an opened position;
FIG. 10 is a top, front and right side perspective view thereof in the opened position;
FIG. 11 is a bottom, front and left side perspective view thereof in the opened position; and,
FIG. 12 is a front elevational view thereof in the opened position.

1 Claim, 12 Drawing Sheets

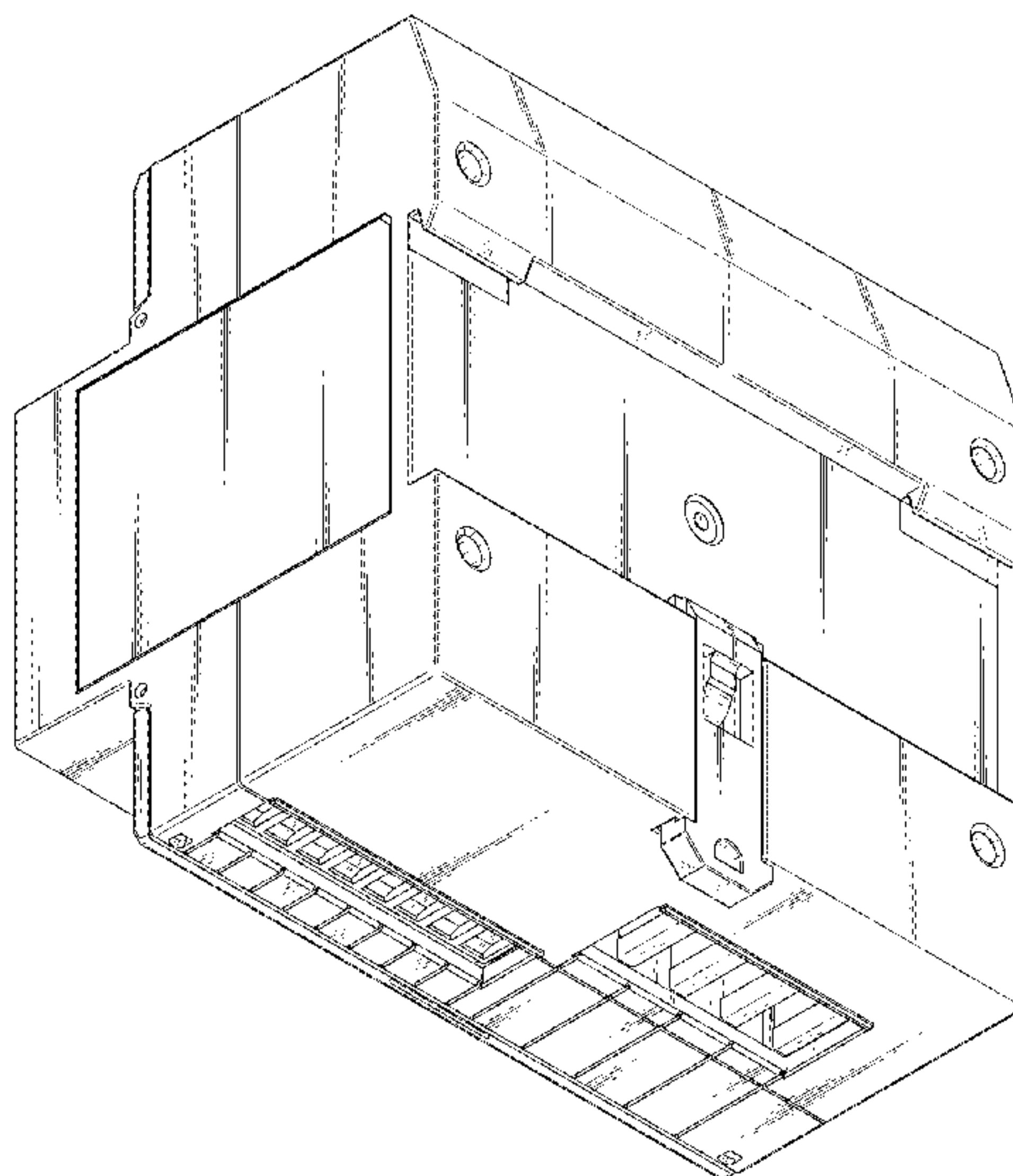
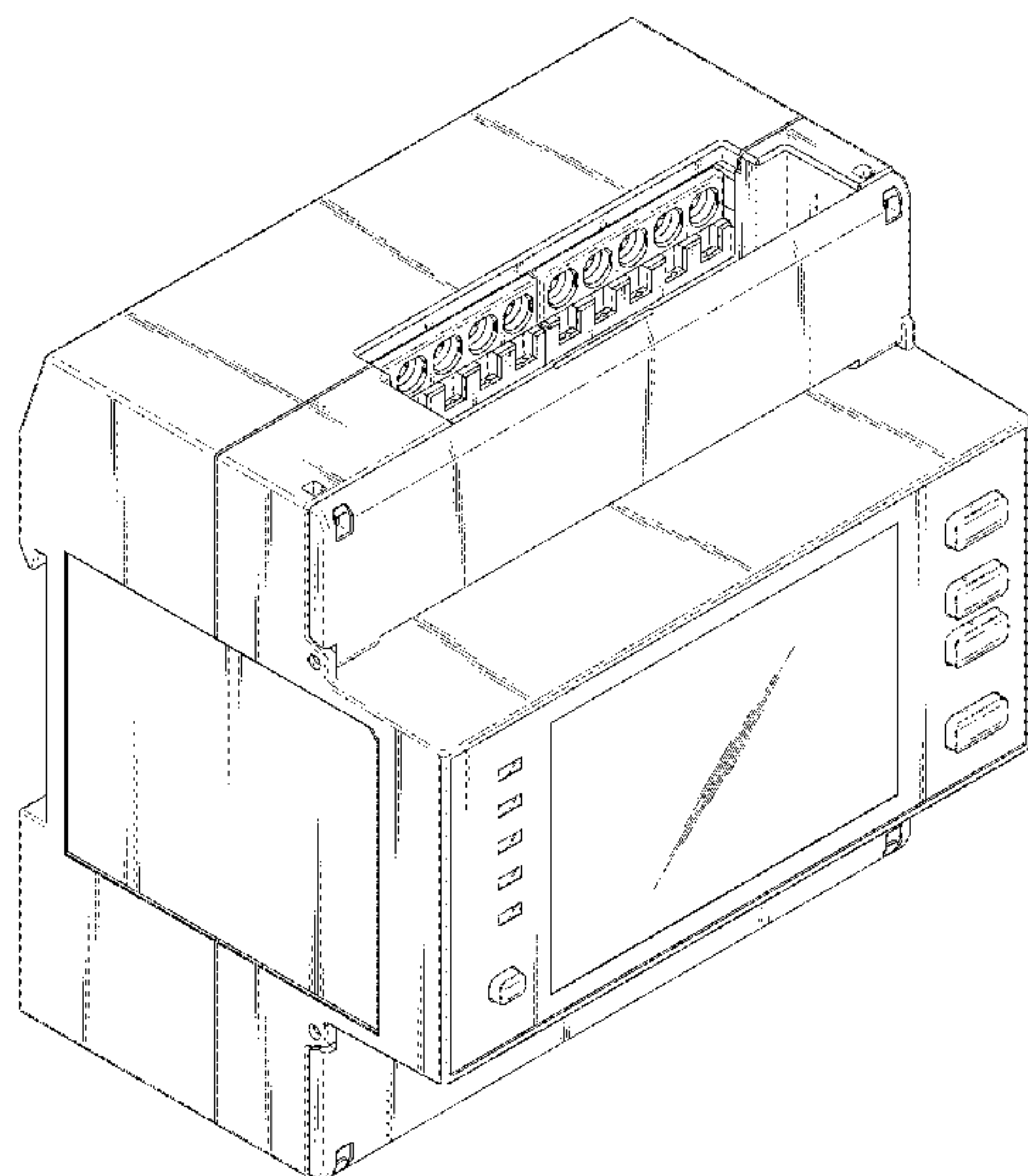


Fig. 1

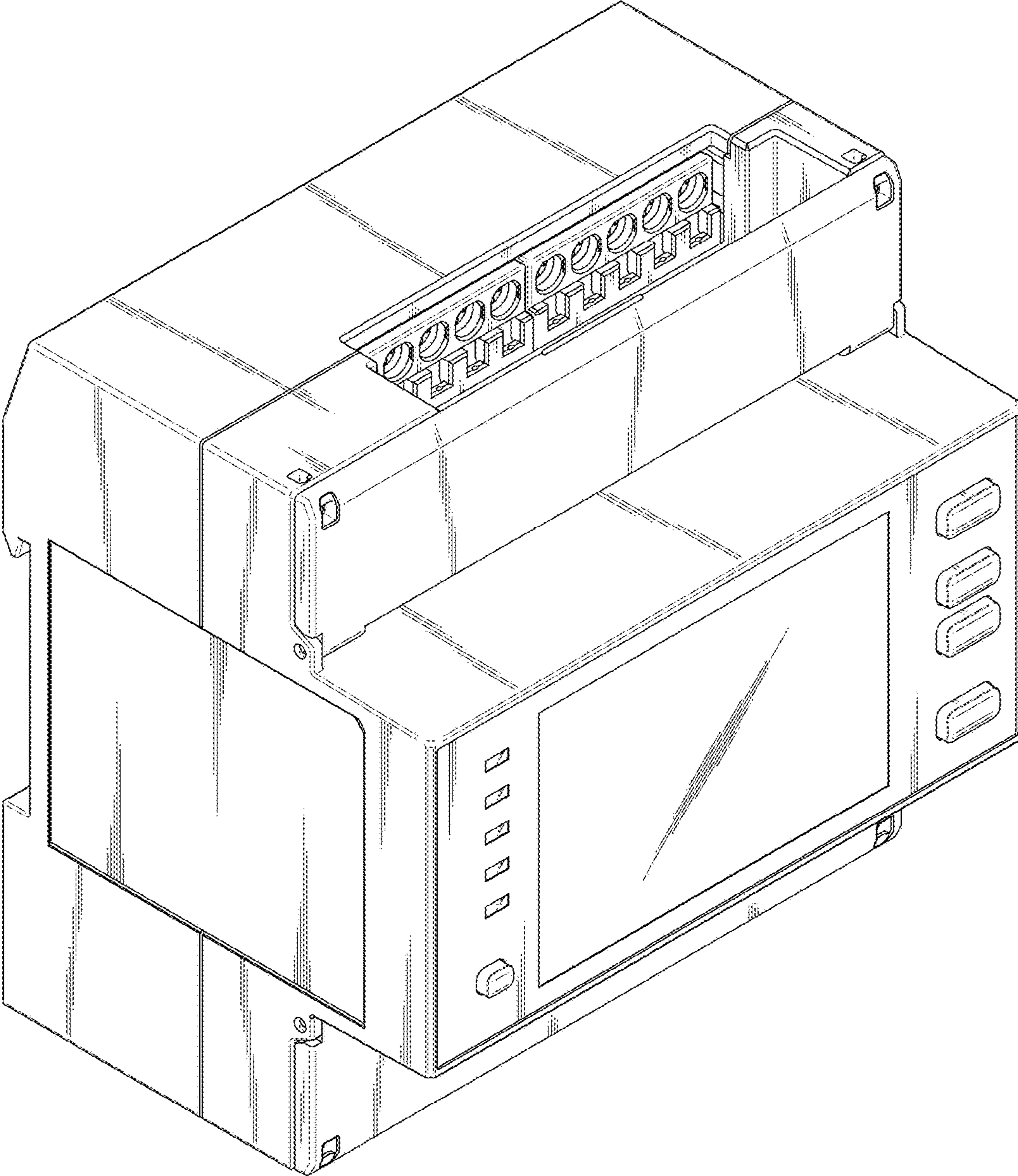


Fig. 2

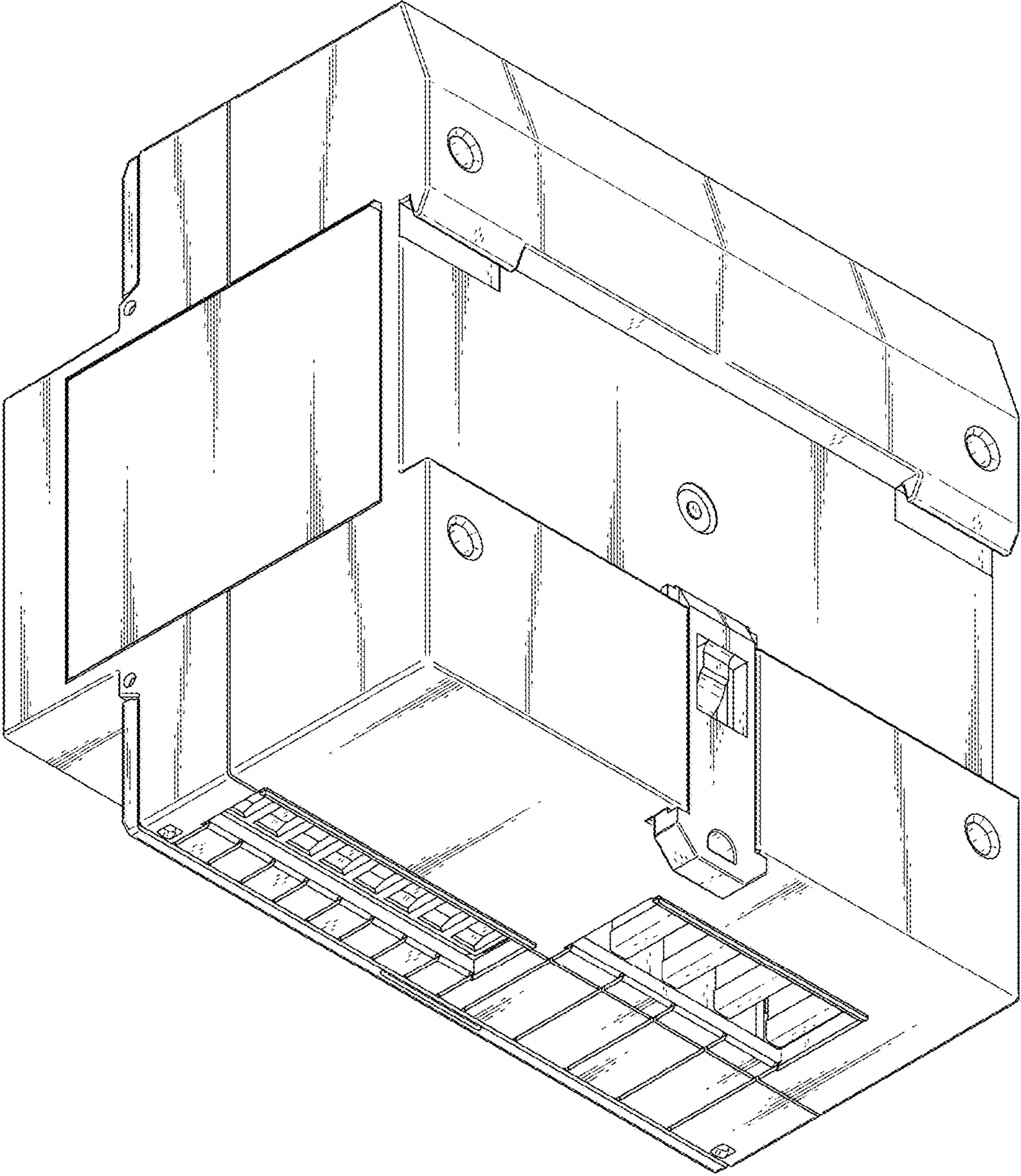


Fig. 3

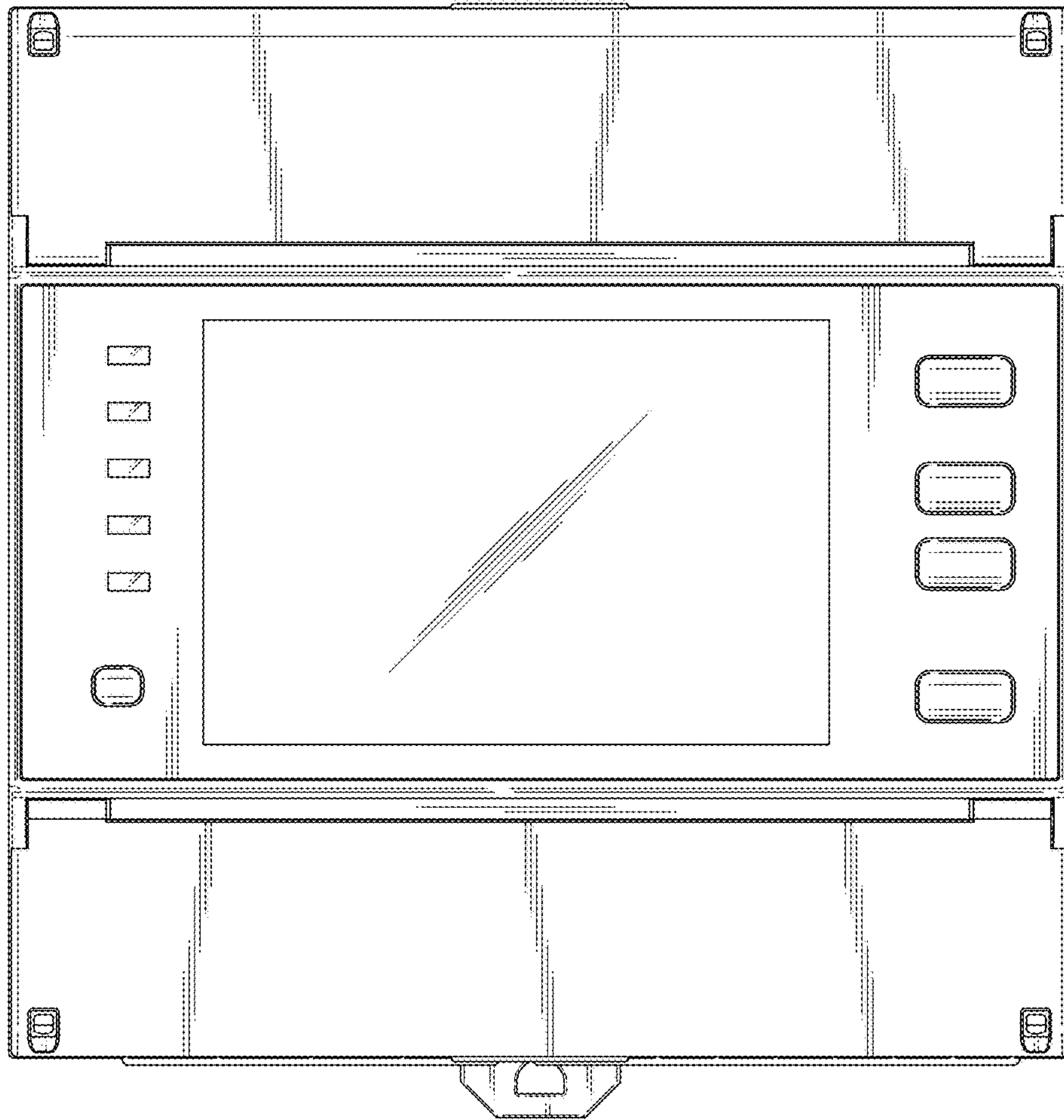


Fig. 4

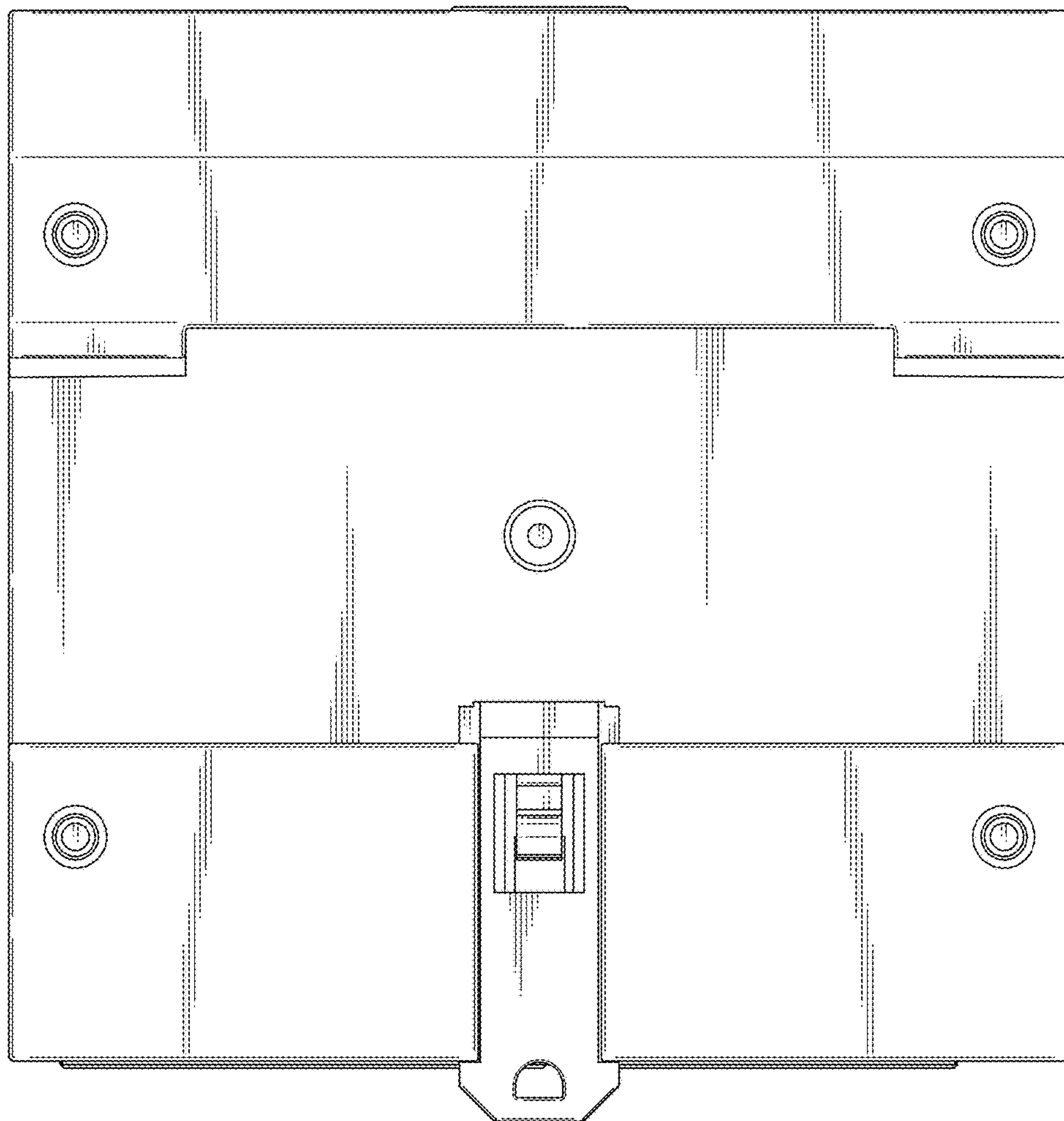


Fig. 5

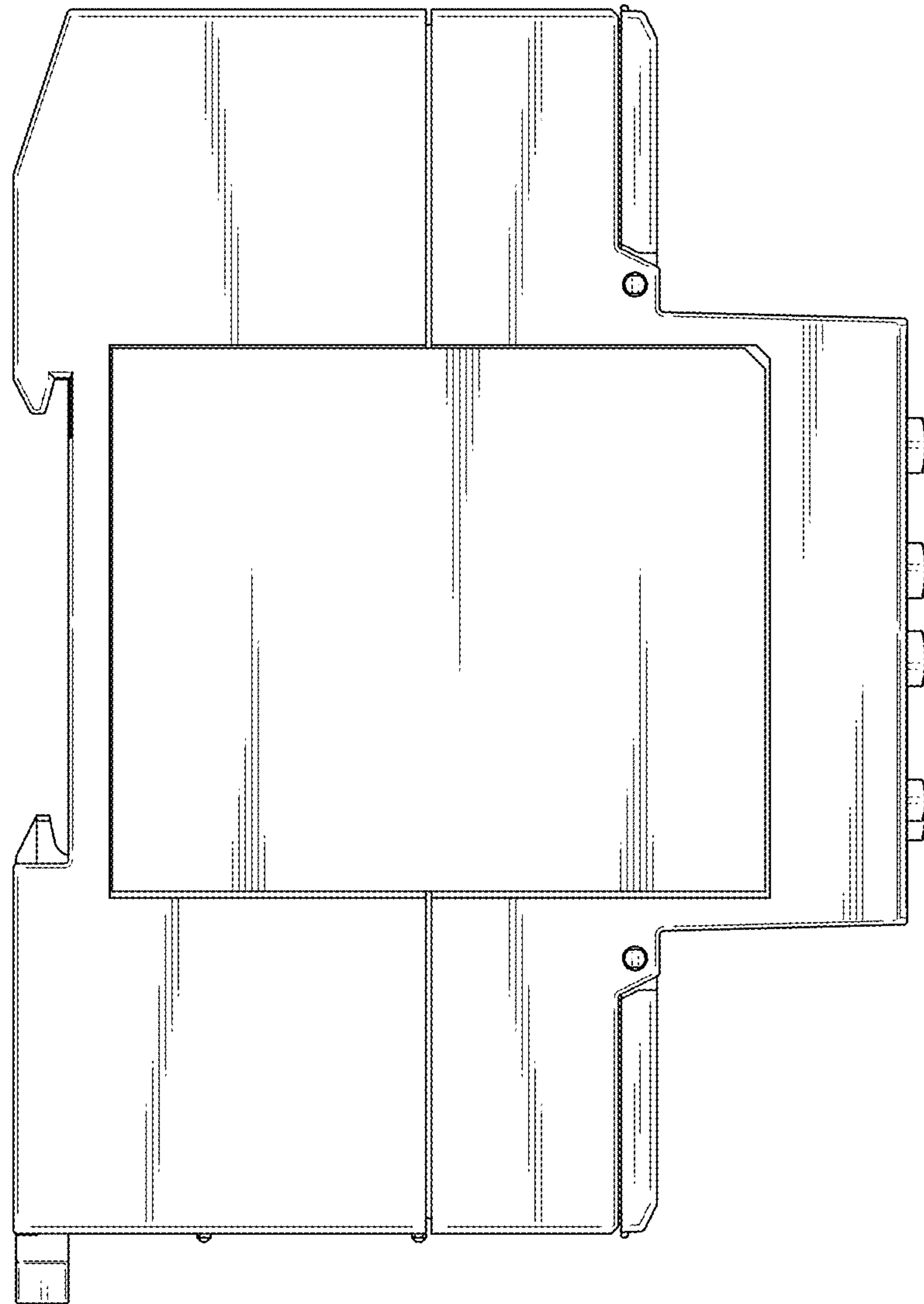


Fig. 6

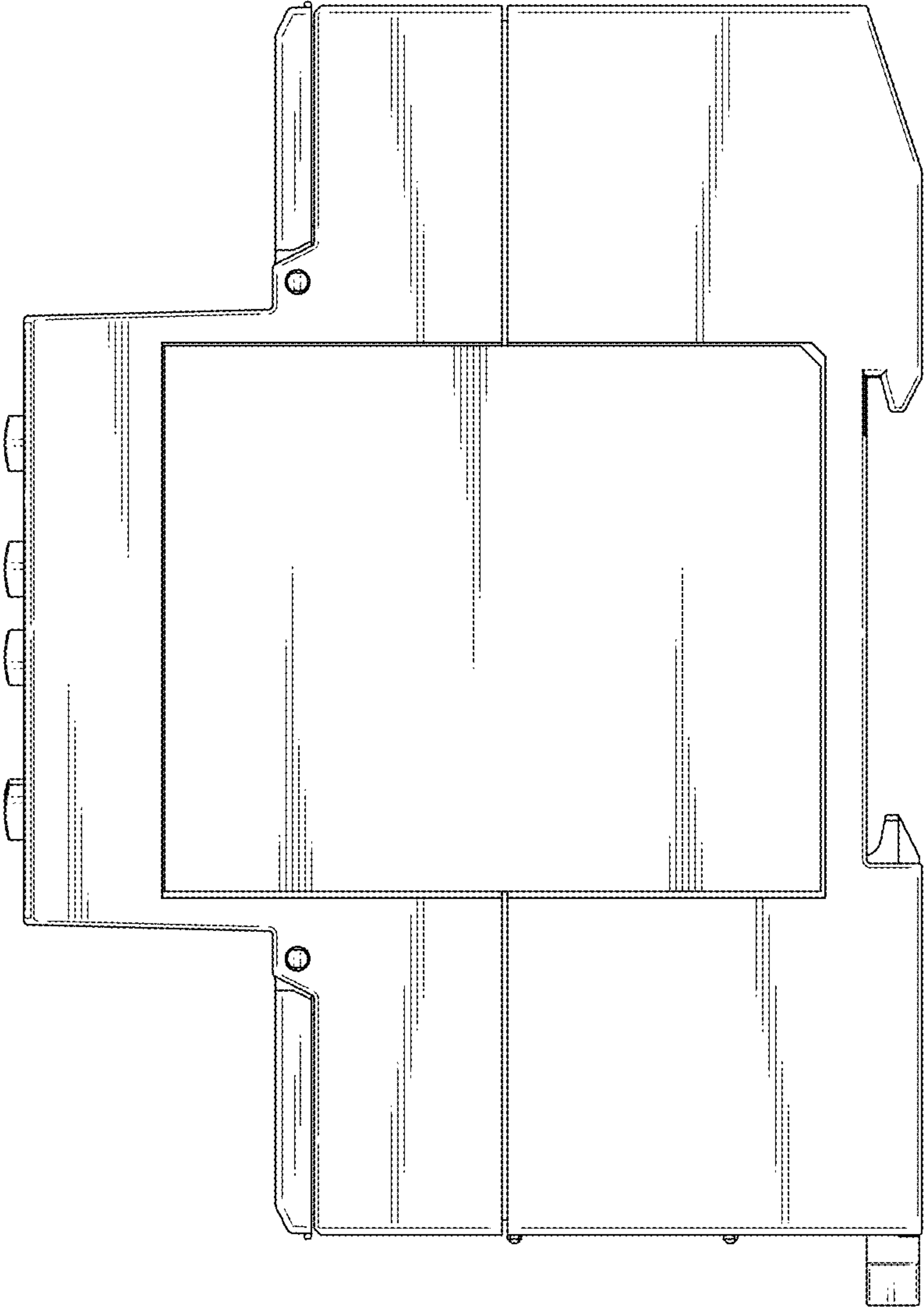


Fig. 7

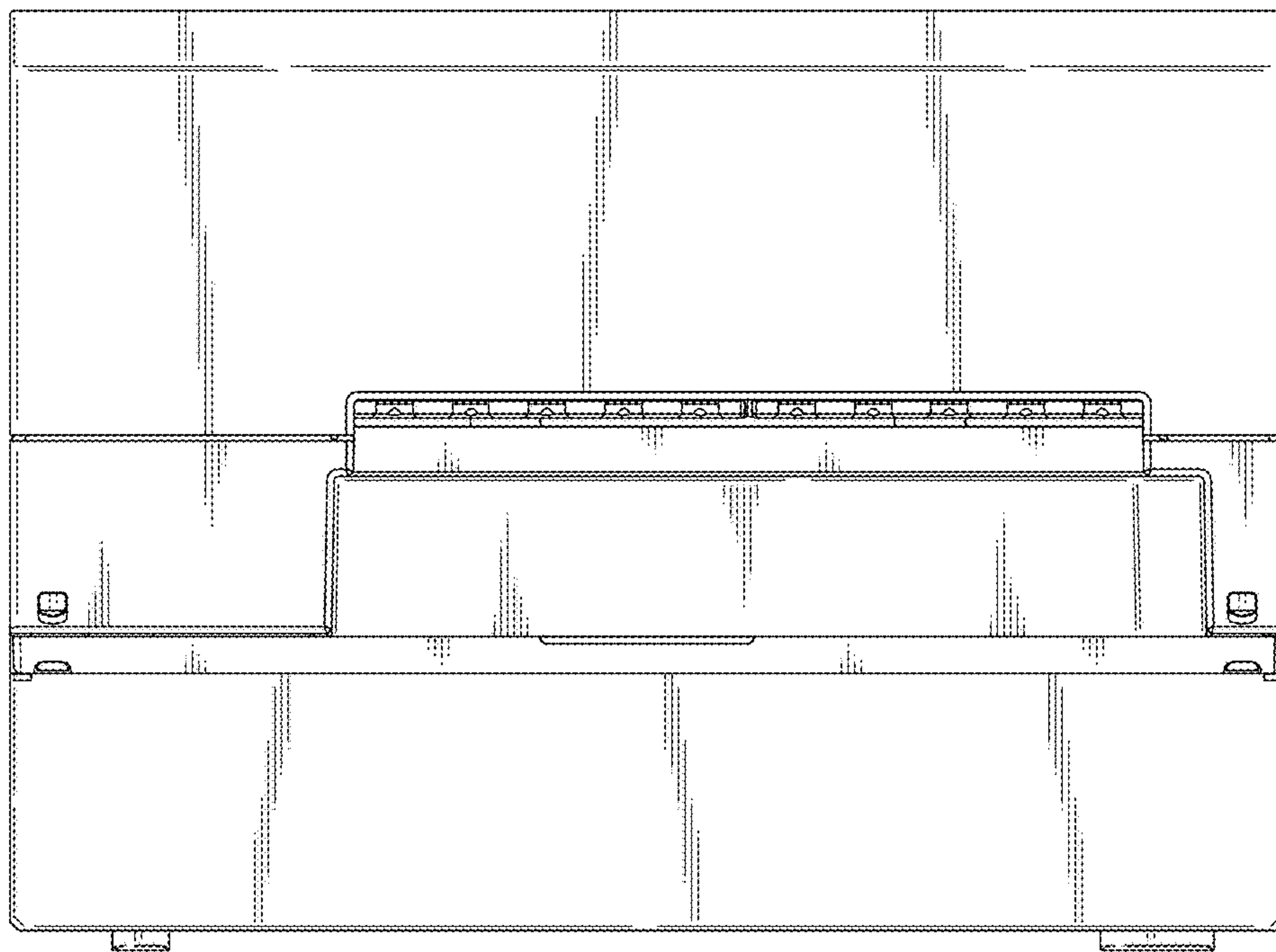


Fig. 8

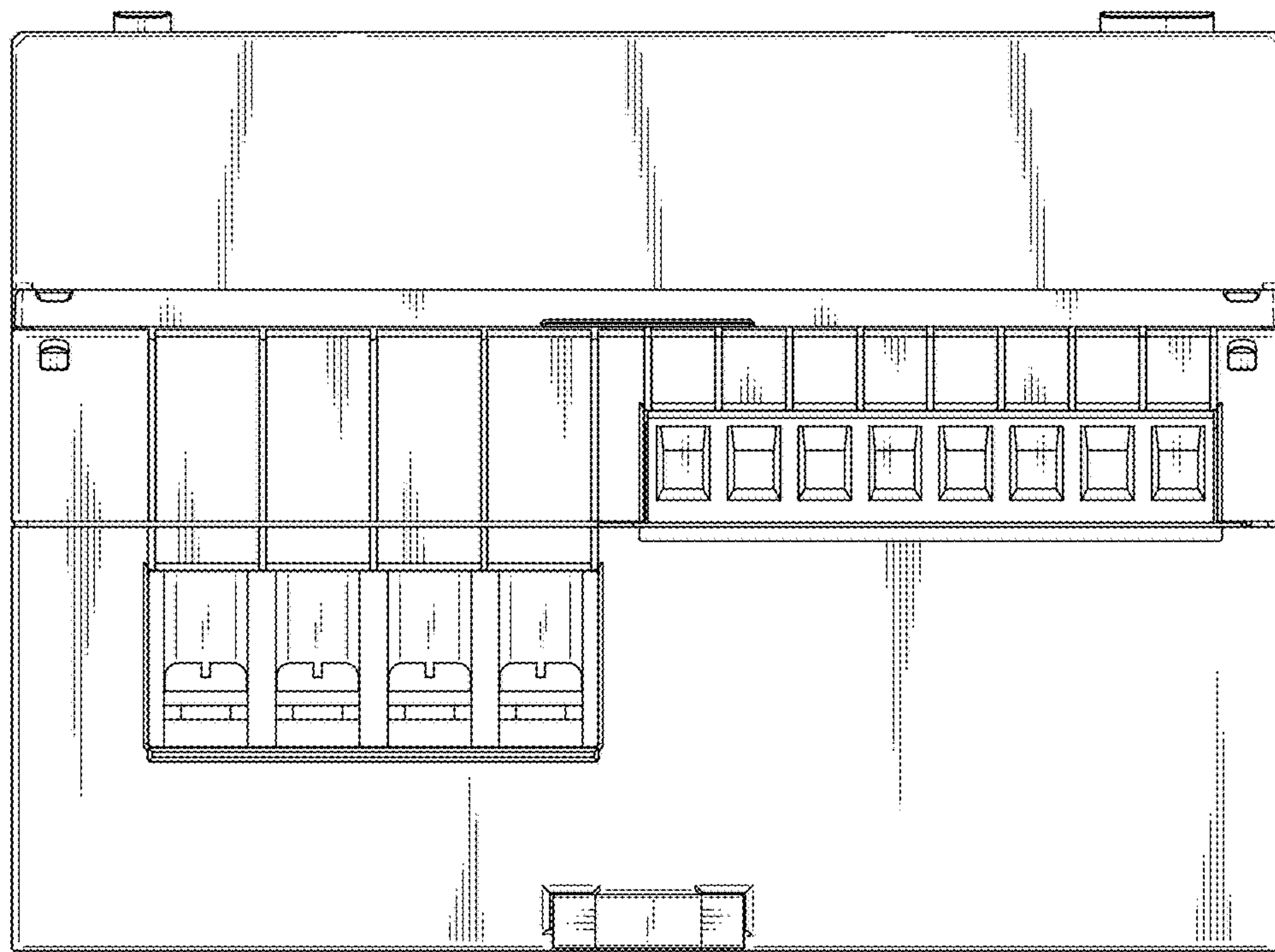


Fig. 9

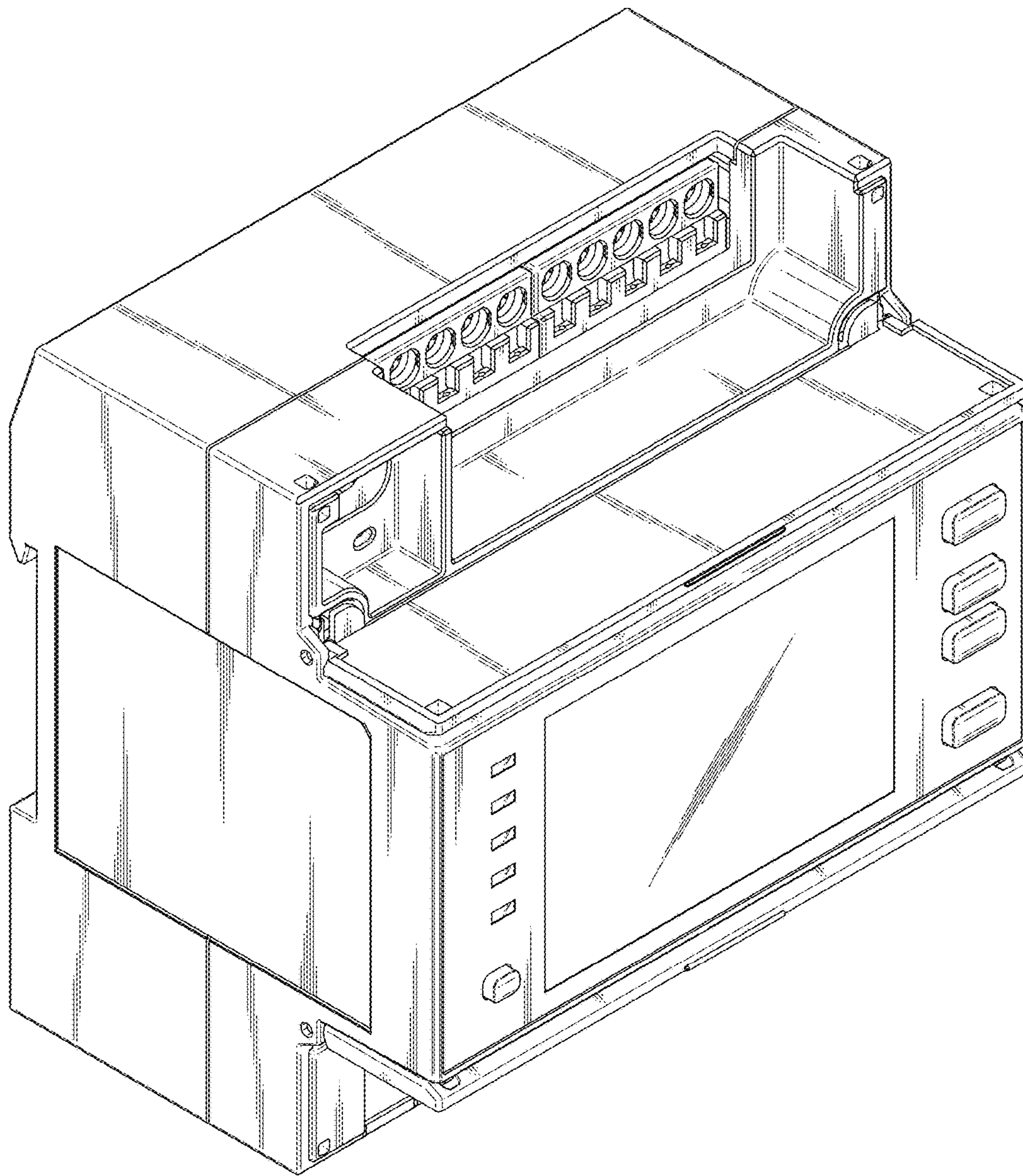


Fig. 10

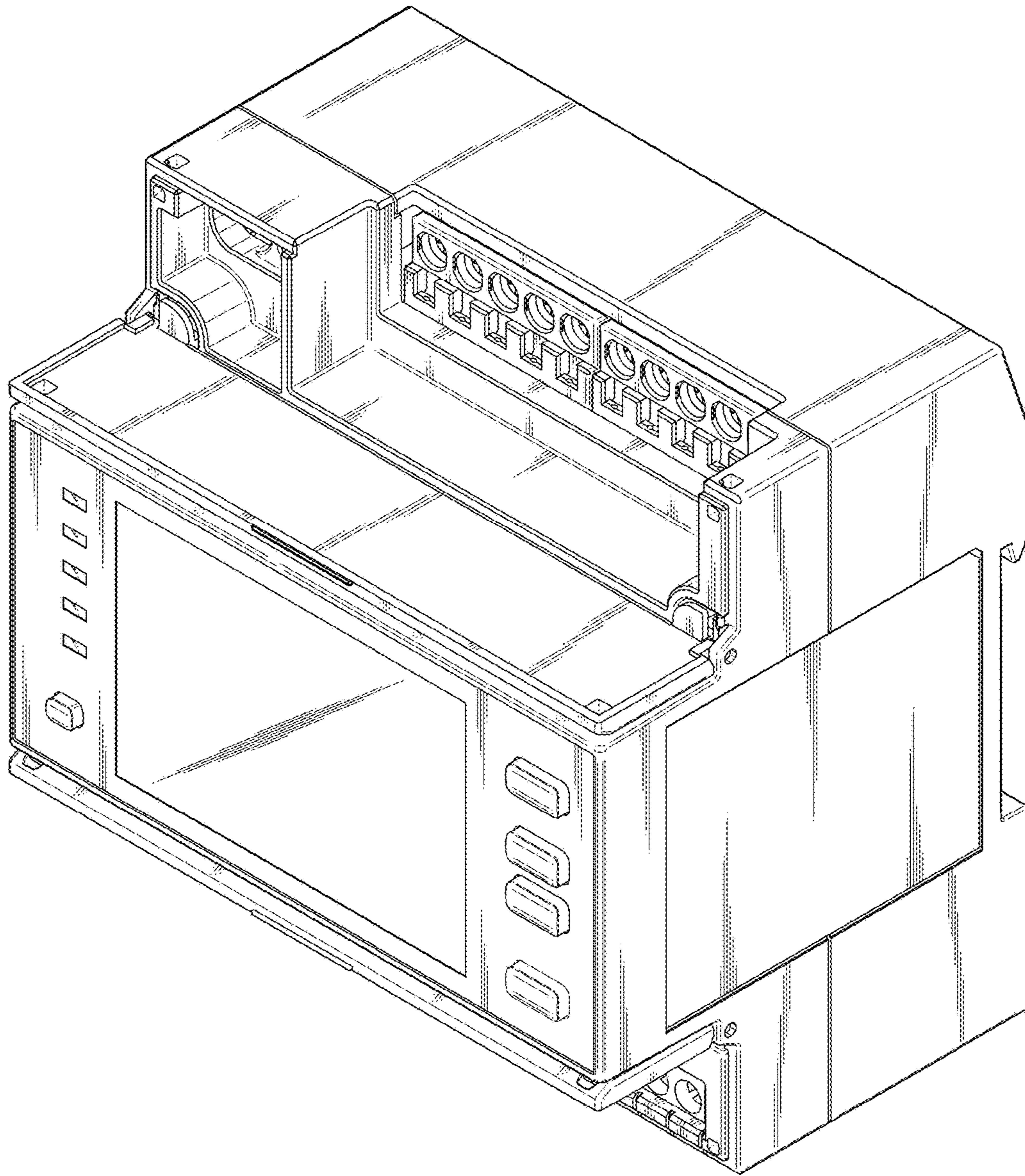


Fig. 11

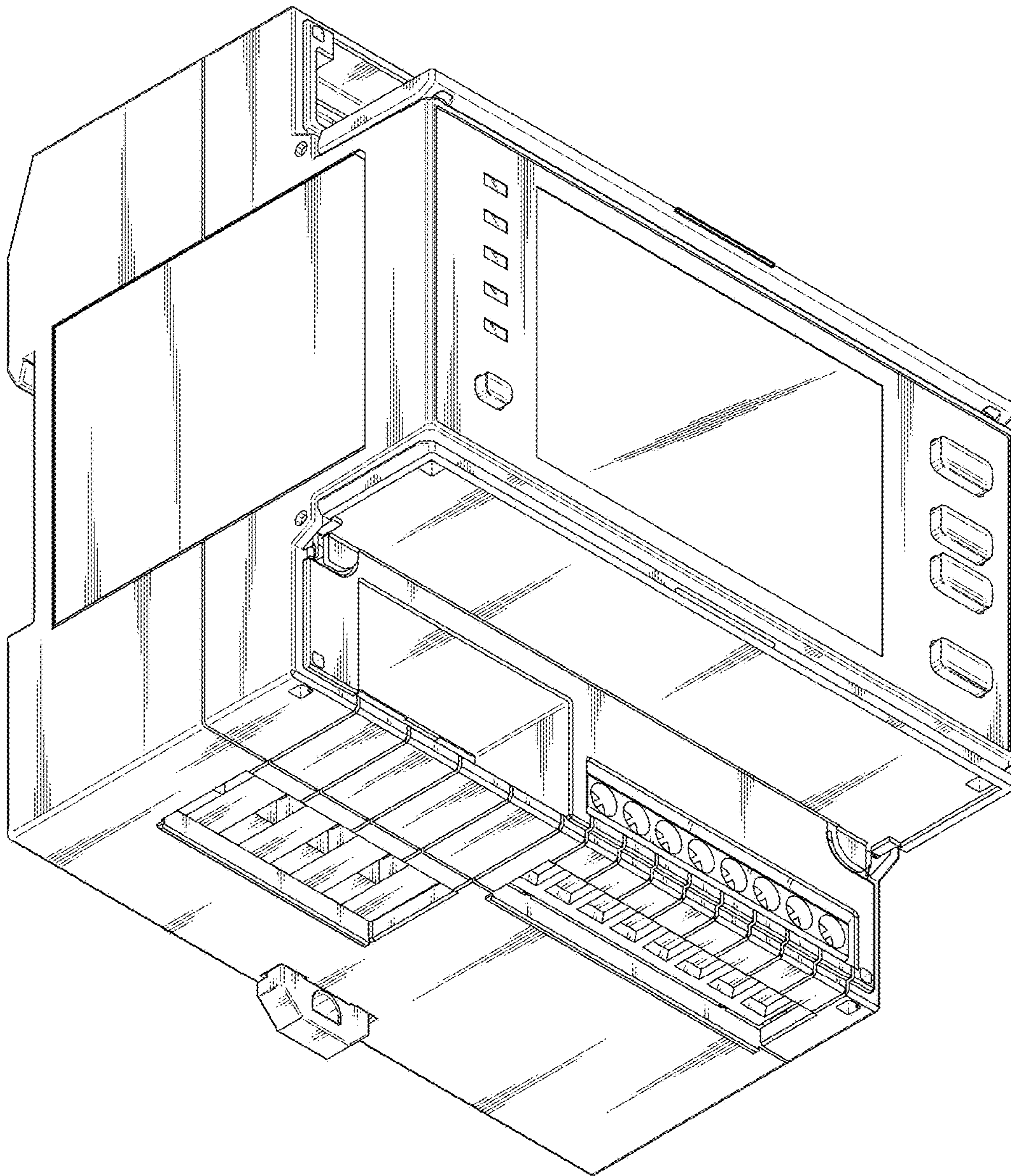


Fig. 12

