



US00D793259S

(12) **United States Design Patent** (10) **Patent No.:** **US D793,259 S**  
**Fürer et al.** (45) **Date of Patent:** **\*\* Aug. 1, 2017**

(54) **PIEZOELECTRIC FORCE SENSOR**  
(71) Applicant: **KISTLER HOLDING AG**, Winterthur (CH)  
(72) Inventors: **Daniel Fürer**, Zürich (CH); **Denis Kohler**, Neftenbach (CH); **Claudio Cavalloni**, Regensdorf (CH)

D565,981 S 4/2008 Radecke et al.  
D571,681 S 6/2008 Radecke et al.  
D572,158 S 7/2008 Radecke et al.  
D607,269 S \* 1/2010 Andersson ..... D10/101  
D719,039 S \* 12/2014 Chang ..... D10/63  
D742,259 S \* 11/2015 Schulze ..... D10/70

\* cited by examiner

*Primary Examiner* — George D. Kirschbaum

(\*\*) Term: **15 Years**  
(21) Appl. No.: **35/500,658**  
(22) Filed: **Sep. 3, 2015**

(80) **Hague Agreement Data**

Int. Filing Date: **Sep. 3, 2015**  
Int. Reg. No.: **DM/088188**  
Int. Reg. Date: **Sep. 3, 2015**  
Int. Reg. Pub. Date: **Mar. 4, 2016**

(30) **Foreign Application Priority Data**

Jun. 5, 2015 (CH) ..... 1415/99

(51) **LOC (10) Cl.** ..... **10-00**  
(52) **U.S. Cl.**  
USPC ..... **D10/83**

(58) **Field of Classification Search**  
USPC ..... D10/99, 101, 63, 70  
See application file for complete search history.

(56) **References Cited**

U.S. PATENT DOCUMENTS

D458,863 S \* 6/2002 Harding ..... D10/99  
D459,259 S \* 6/2002 Harding ..... D10/99

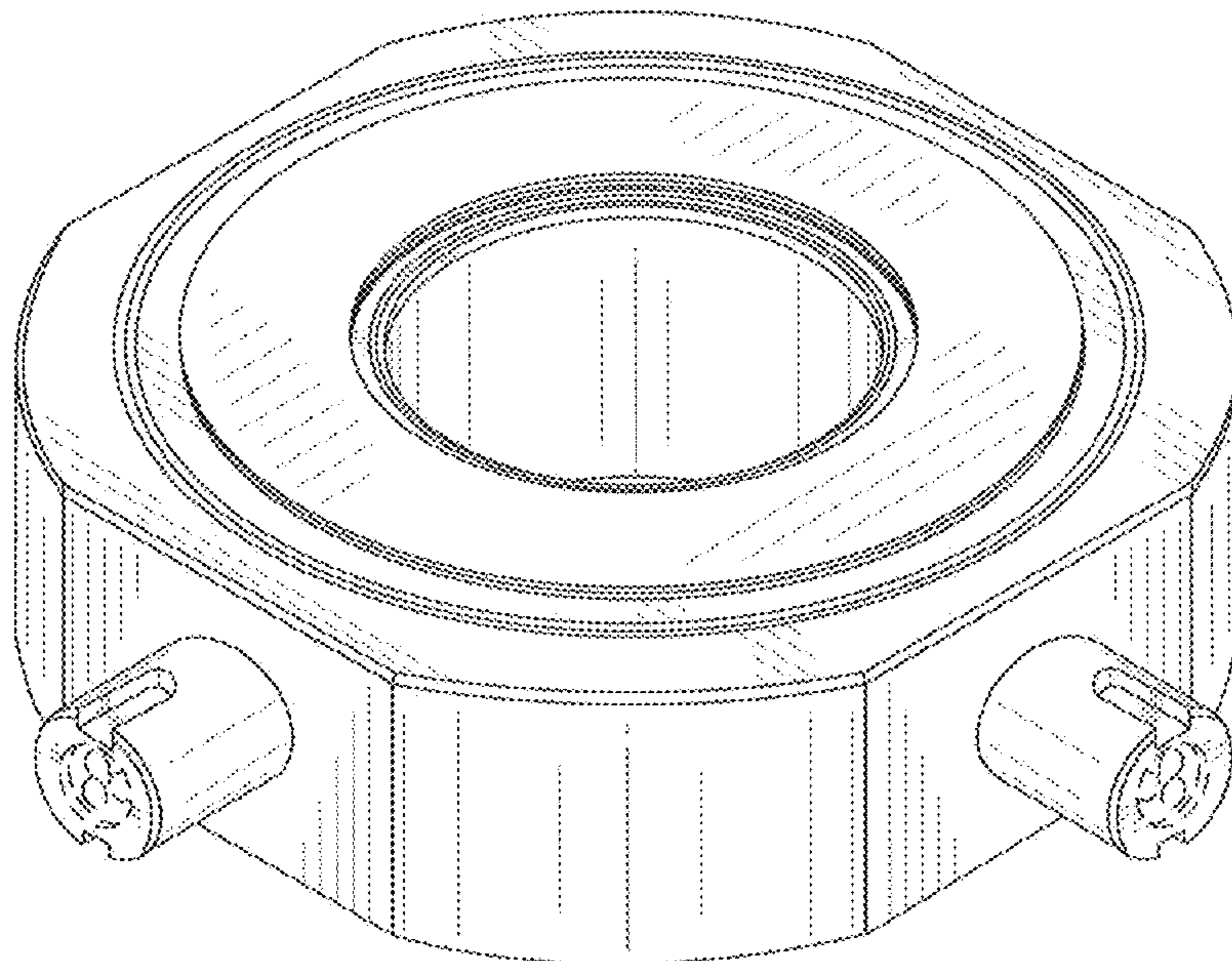
(57) **CLAIM**

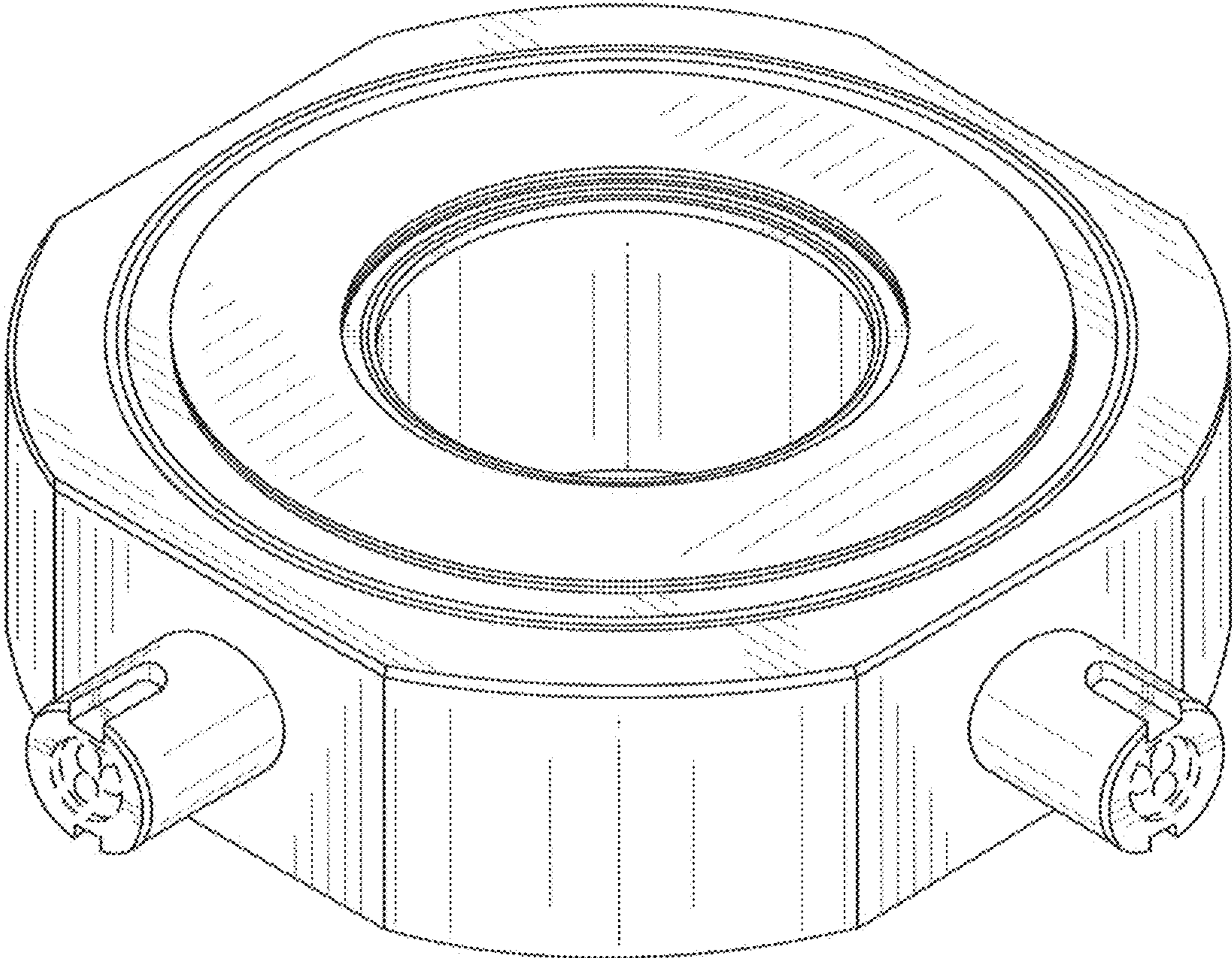
The ornamental design for a piezoelectric force sensor, as shown and described.

**DESCRIPTION**

1. Piezoelectric force sensor  
Fig. 1.1 is a top perspective view of the piezoelectric force sensor;  
Fig. 1.2 is a top perspective view of the piezoelectric force sensor of Fig. 1.1 rotated 180°;  
Fig. 1.3 is a top plan view of the piezoelectric force sensor;  
Fig. 1.4 is a front plan view of the piezoelectric force sensor oriented as shown in Fig. 1.3;  
Fig. 1.5 is a rear plan view of the piezoelectric force sensor oriented as shown in Fig. 1.3;  
Fig. 1.6 is a top perspective view of the piezoelectric force sensor of Fig. 1.1 shown with environmental structure indicated dashed line; and  
Fig. 1.7 is a front plan view of the piezoelectric force sensor of Fig. 1.4 shown with environmental structure indicated dashed line.

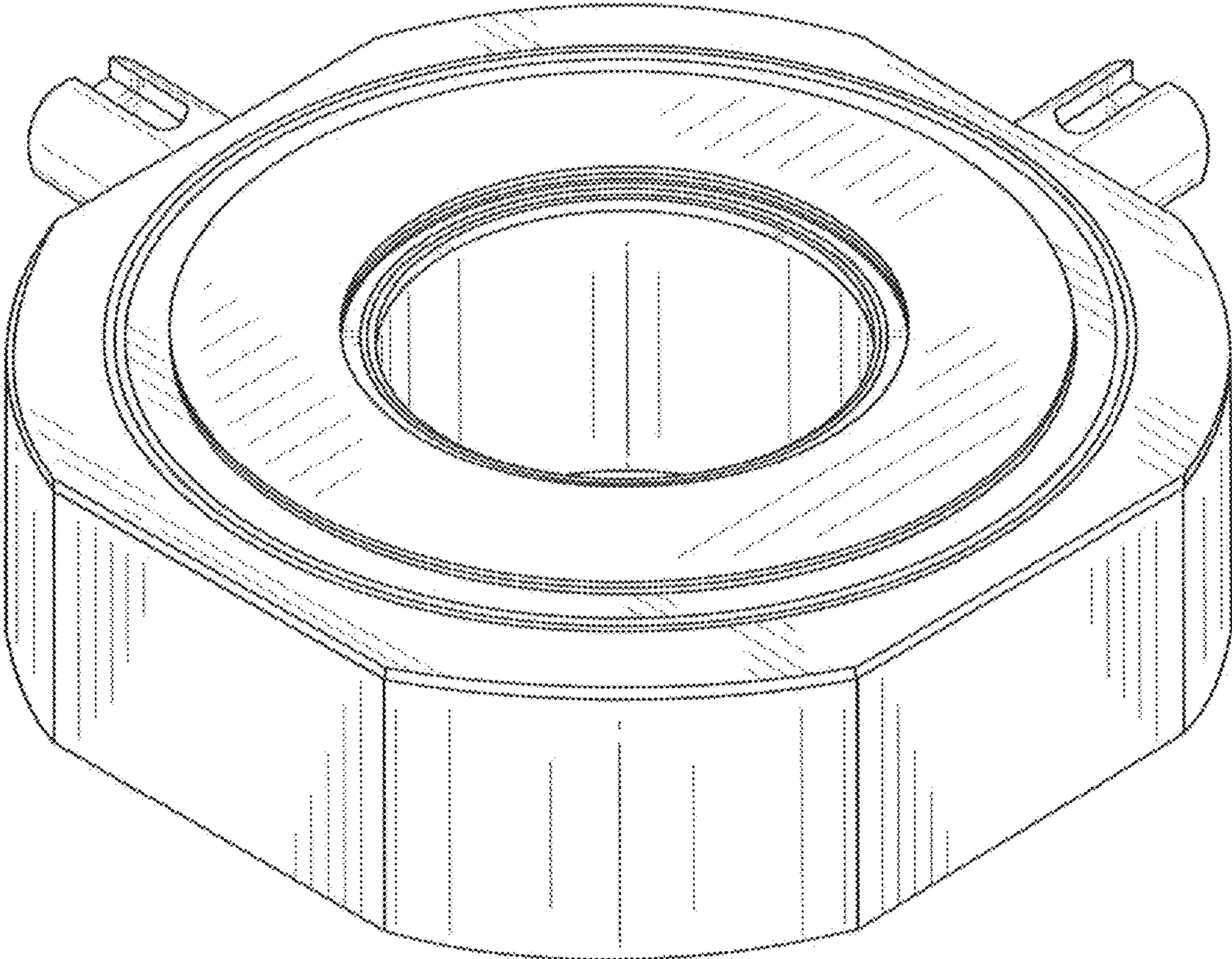
**1 Claim, 7 Drawing Sheets**



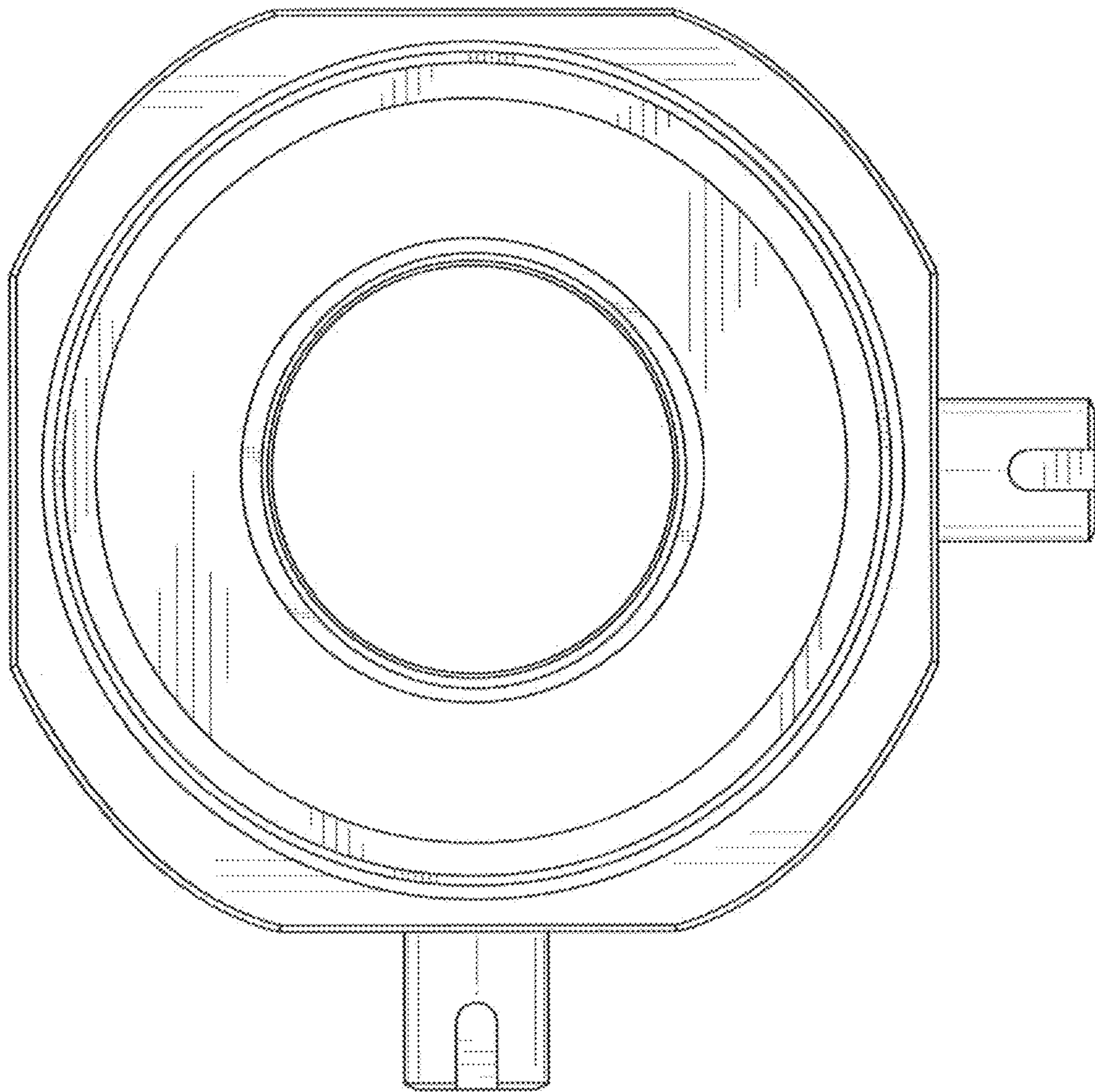


**1.1**

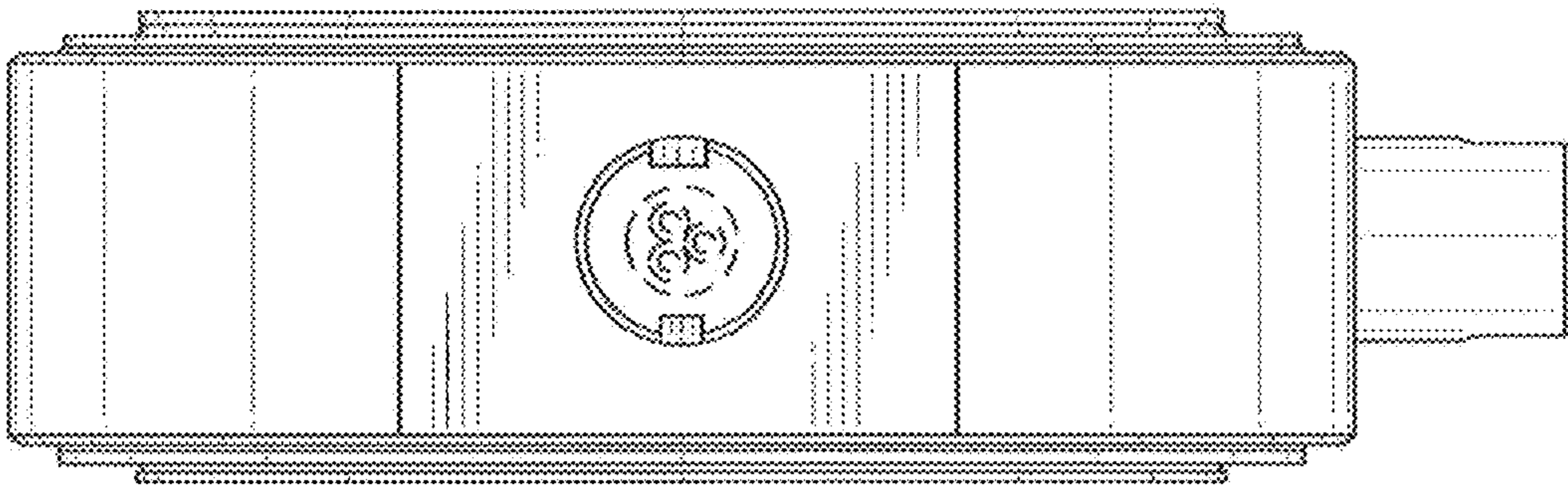




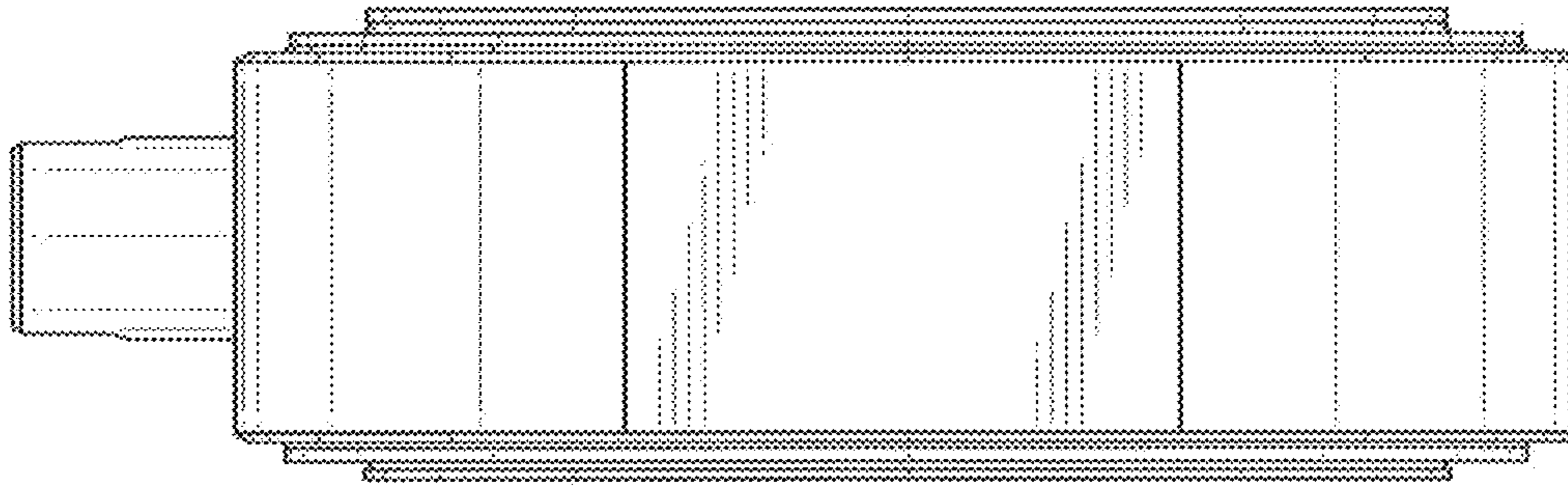
**1.2**



1.3

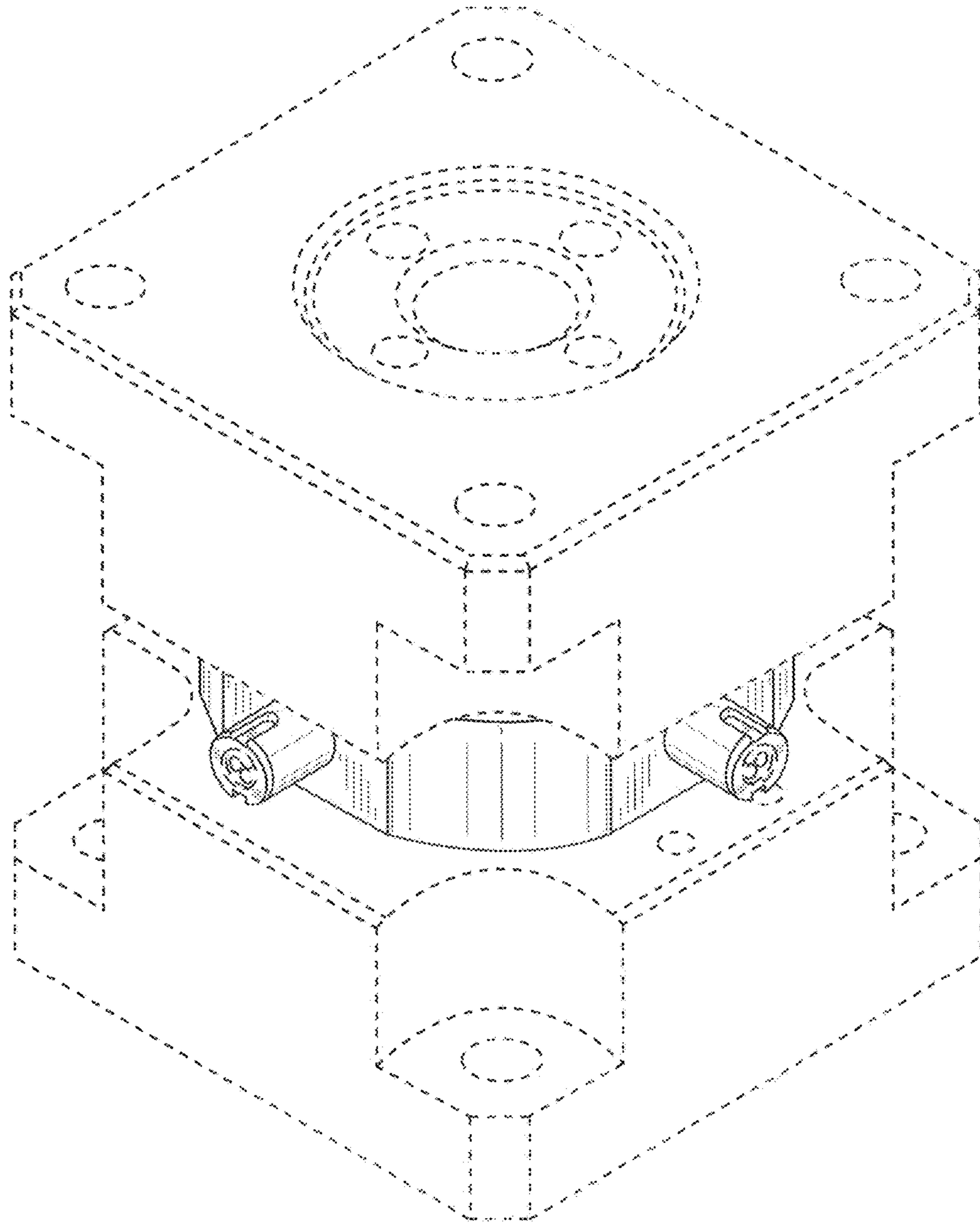


**1.4**

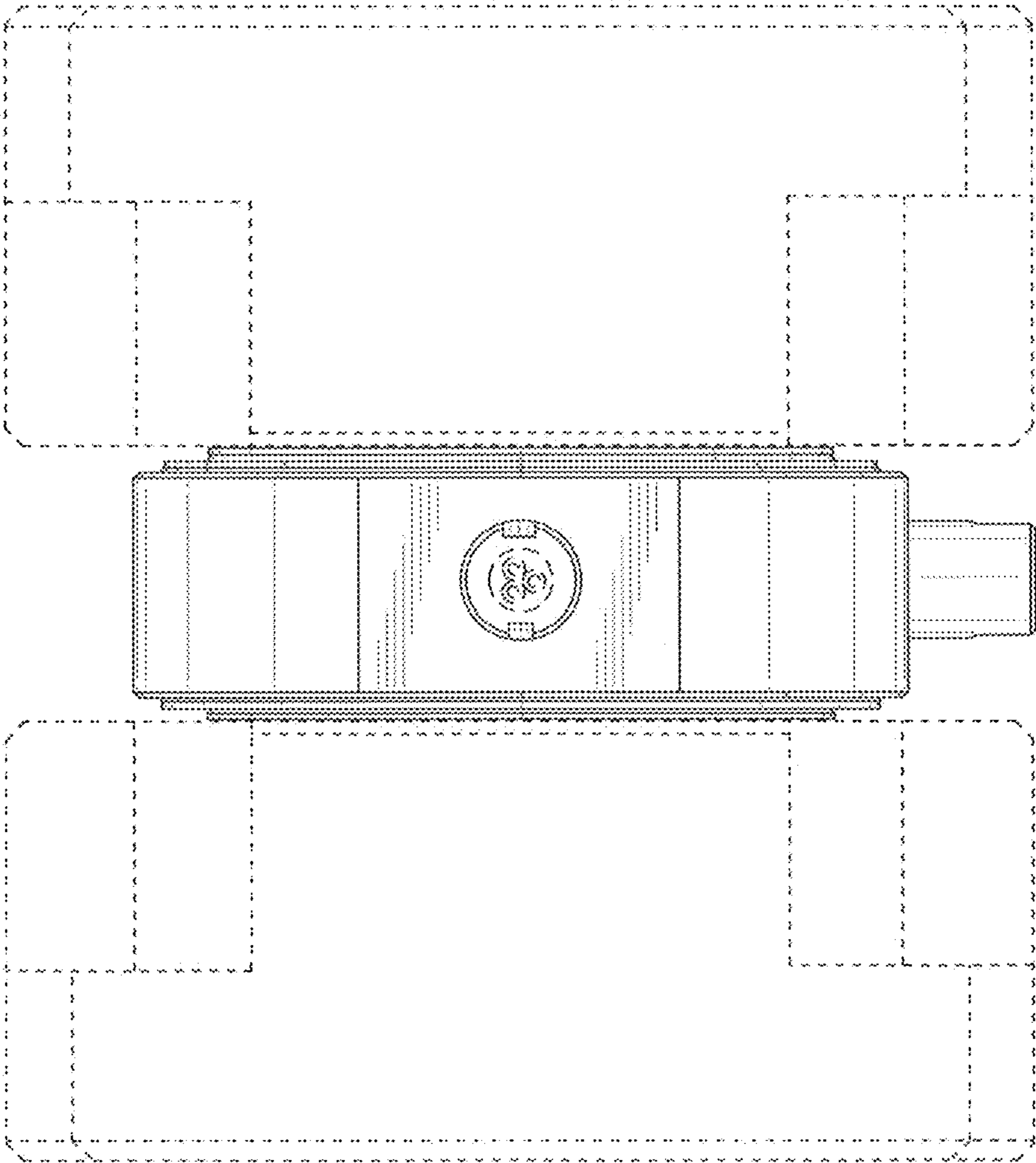


**1.5**





1.6



**FIG. 1.7**