



US00D793257S

(12) **United States Design Patent**
Gao et al.

(10) **Patent No.:** **US D793,257 S**
(45) **Date of Patent:** **** Aug. 1, 2017**

(54) **HANDHELD MEASURING INSTRUMENT**

21/80; G01N 31/22; G01N 31/221; G01N
21/78; A61B 5/145; A61B 5/14539
See application file for complete search history.

(71) Applicant: **Mettler-Toledo GmbH**, Greifensee
(CH)

(56) **References Cited**

(72) Inventors: **Yichen Gao**, Shanghai (CN); **Chong
Zhu**, Shanghai (CN)

U.S. PATENT DOCUMENTS

(73) Assignee: **Mettler-Toledo GmbH**, Greifensee
(CH)

D661,210 S * 6/2012 Aagaard D10/81
D680,011 S * 4/2013 Chen D10/78
8,647,575 B2 * 2/2014 Ohashi A61B 5/14532
250/214.1
D717,193 S * 11/2014 Chipchase D10/81

(**) Term: **15 Years**

* cited by examiner

(21) Appl. No.: **29/555,572**

Primary Examiner — Antoine D Davis
(74) *Attorney, Agent, or Firm* — Standley Law Group
LLP

(22) Filed: **Feb. 23, 2016**

(57) **CLAIM**

The ornamental design for a handheld measuring instru-
ment, as shown and described.

(30) **Foreign Application Priority Data**

DESCRIPTION

Aug. 26, 2015 (CN) 2015 3 0323502

Aug. 26, 2015 (EM) 002760843

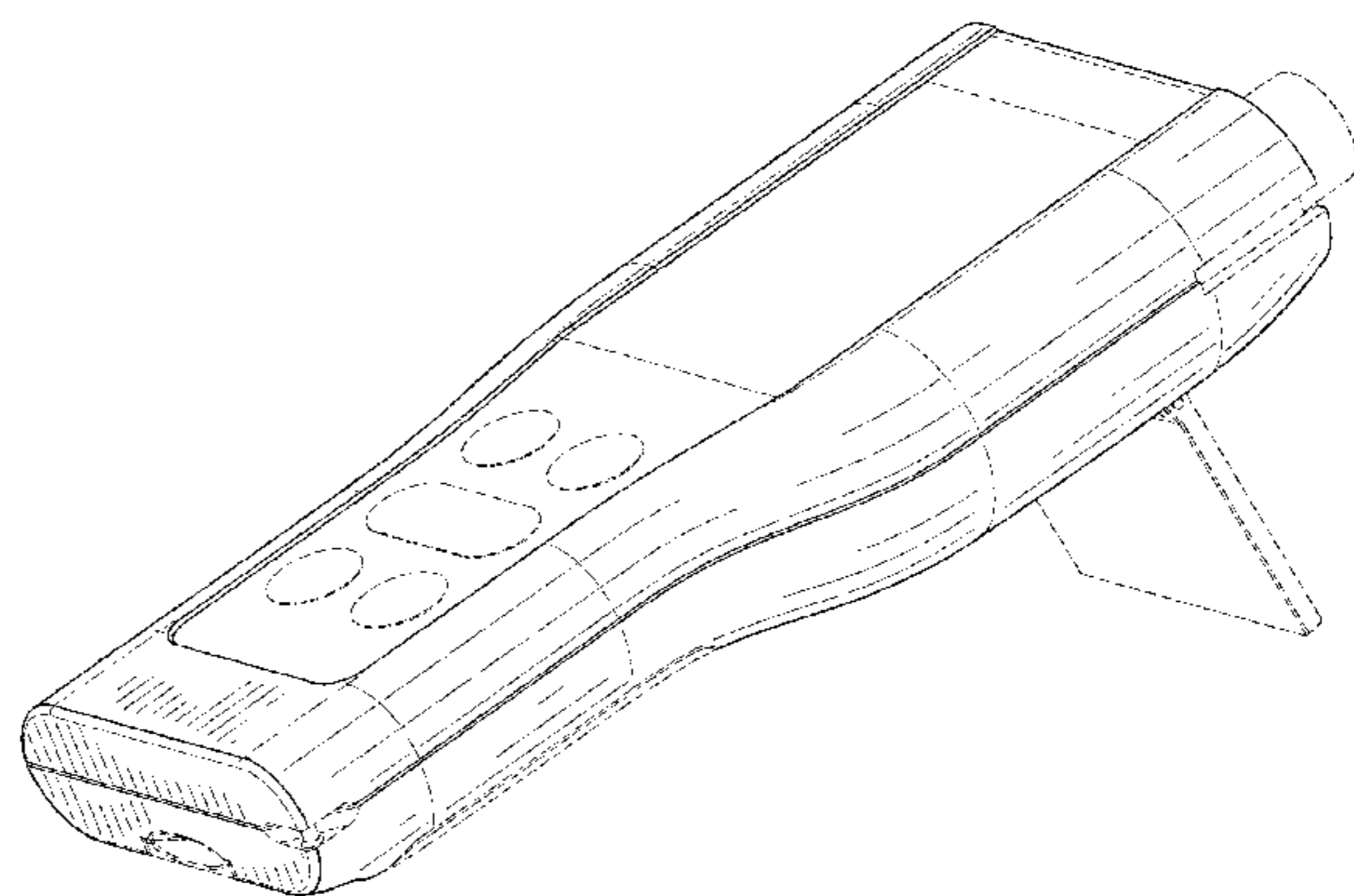
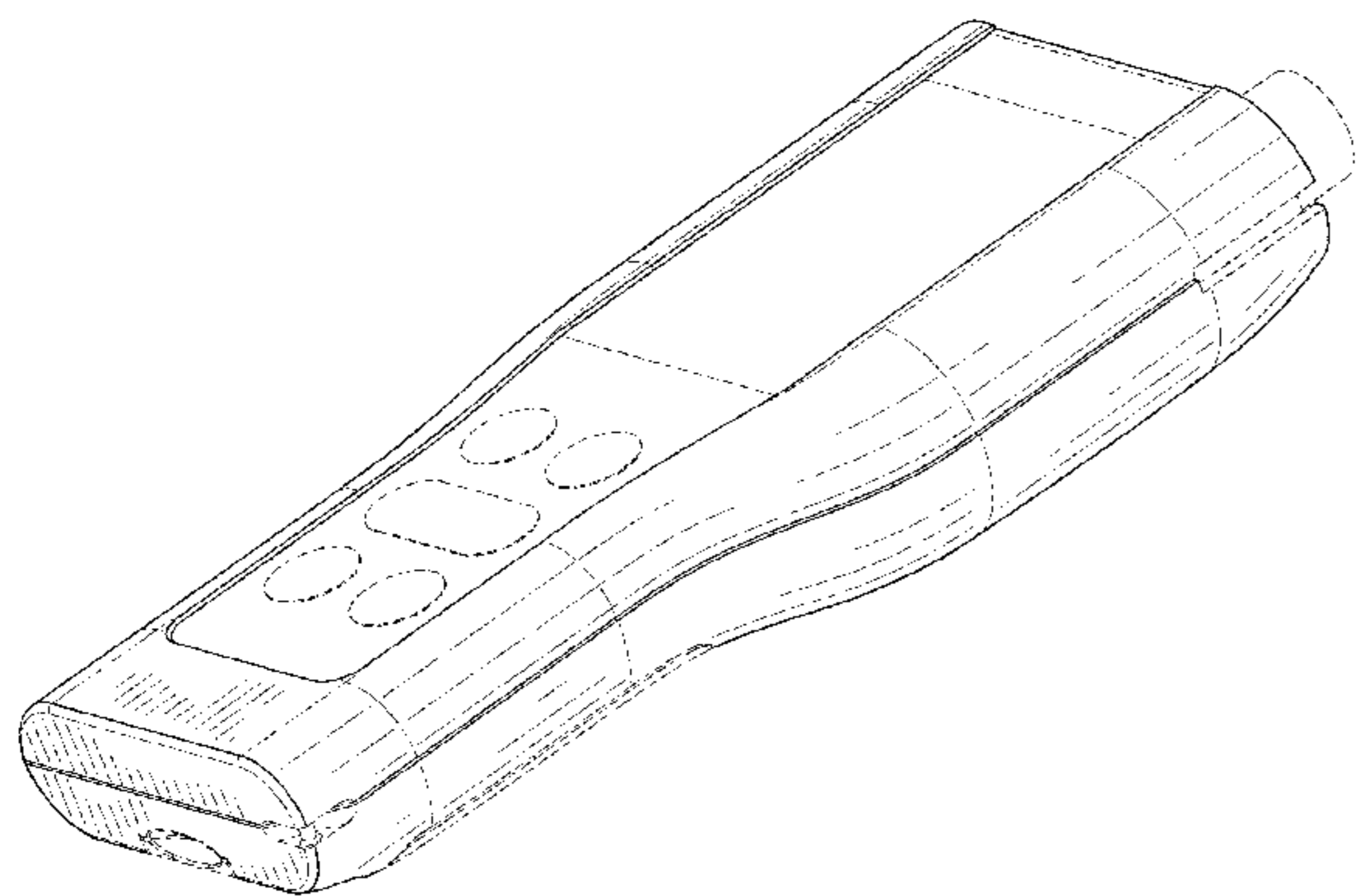
(51) **LOC (10) Cl.** **10-04**

(52) **U.S. Cl.**
USPC **D10/81; D10/78**

(58) **Field of Classification Search**
USPC D10/75, 78, 81
CPC G01N 27/4166; G01N 27/4167; G01N

FIG. 1 is a rear perspective view of the handheld measuring
instrument;
FIG. 2 is a top plan view thereof;
FIG. 3 is a bottom plan view thereof;
FIG. 4 is a right side elevation view thereof;
FIG. 5 is a left side elevation view thereof;
FIG. 6 is a rear elevation view thereof;
FIG. 7 is a front elevation view thereof; and,
FIG. 8 is a rear perspective view thereof, with a foldable
stand deployed.
The broken lines are shown for environmental purposes only
and form no part of the claimed design.

1 Claim, 4 Drawing Sheets



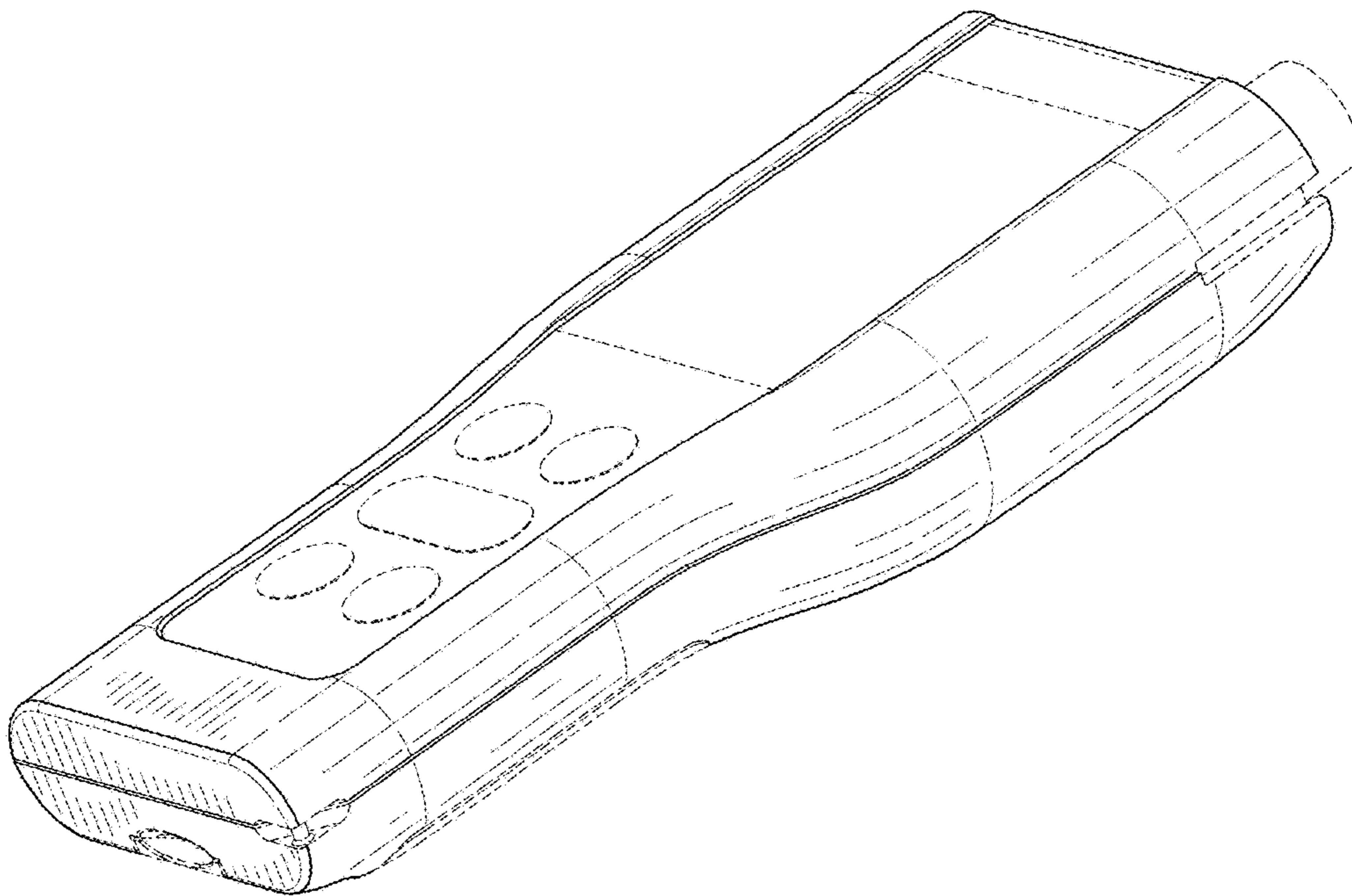


FIG. 1

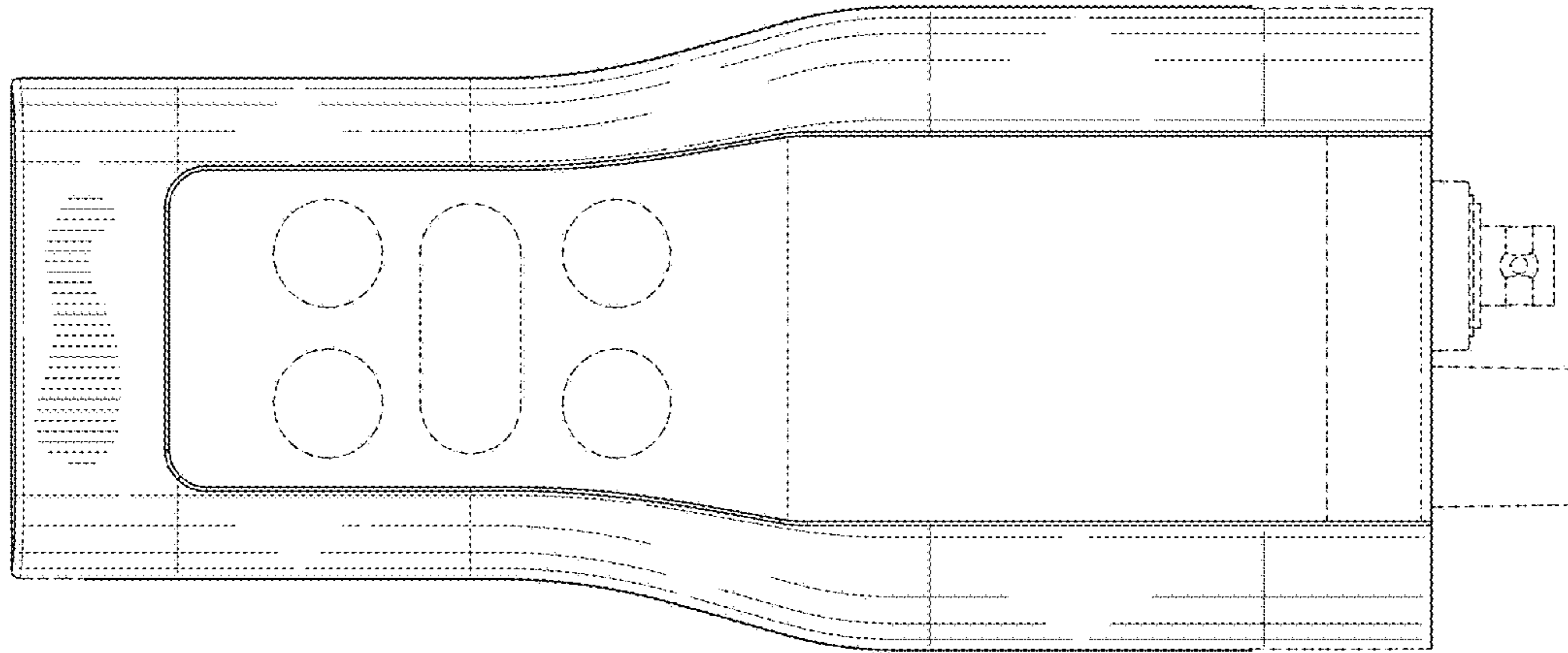


FIG. 2

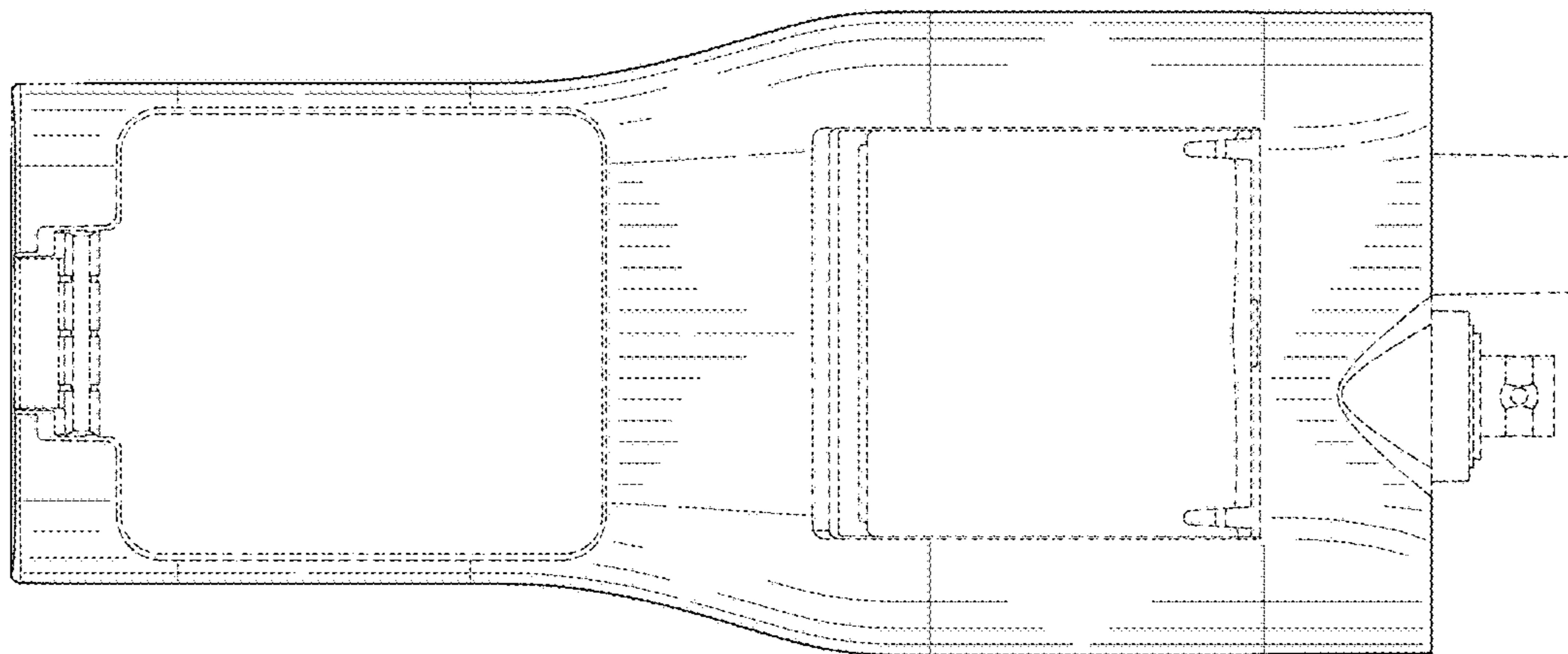


FIG. 3

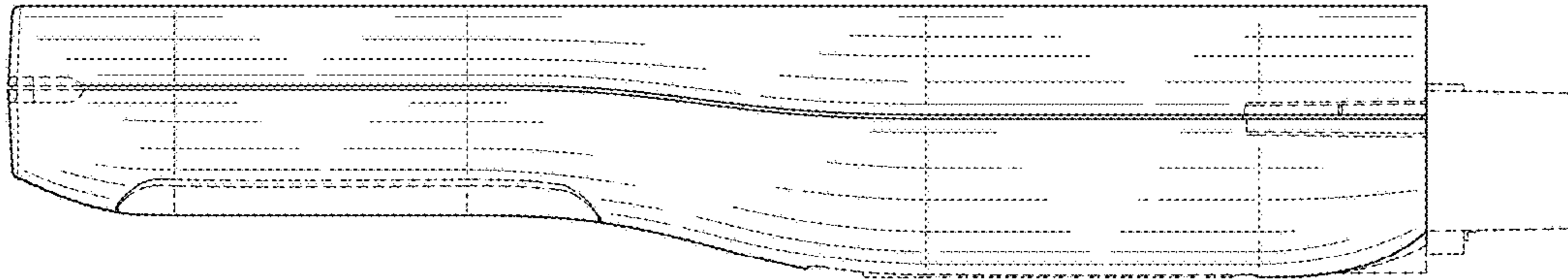


FIG. 4

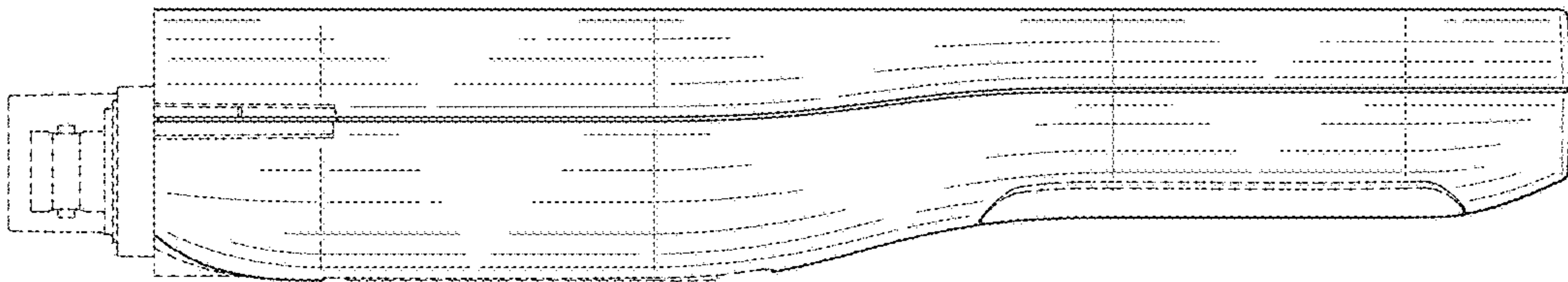


FIG. 5

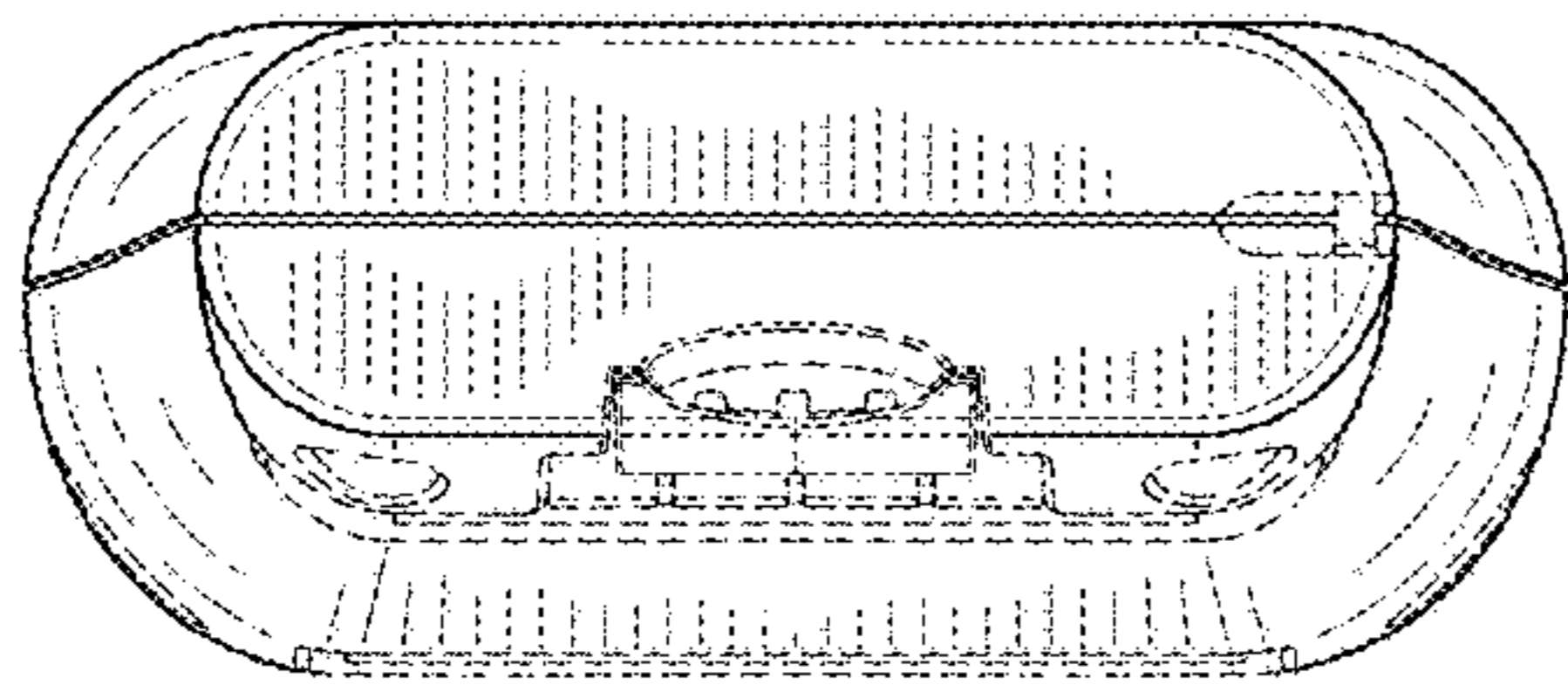


FIG. 6

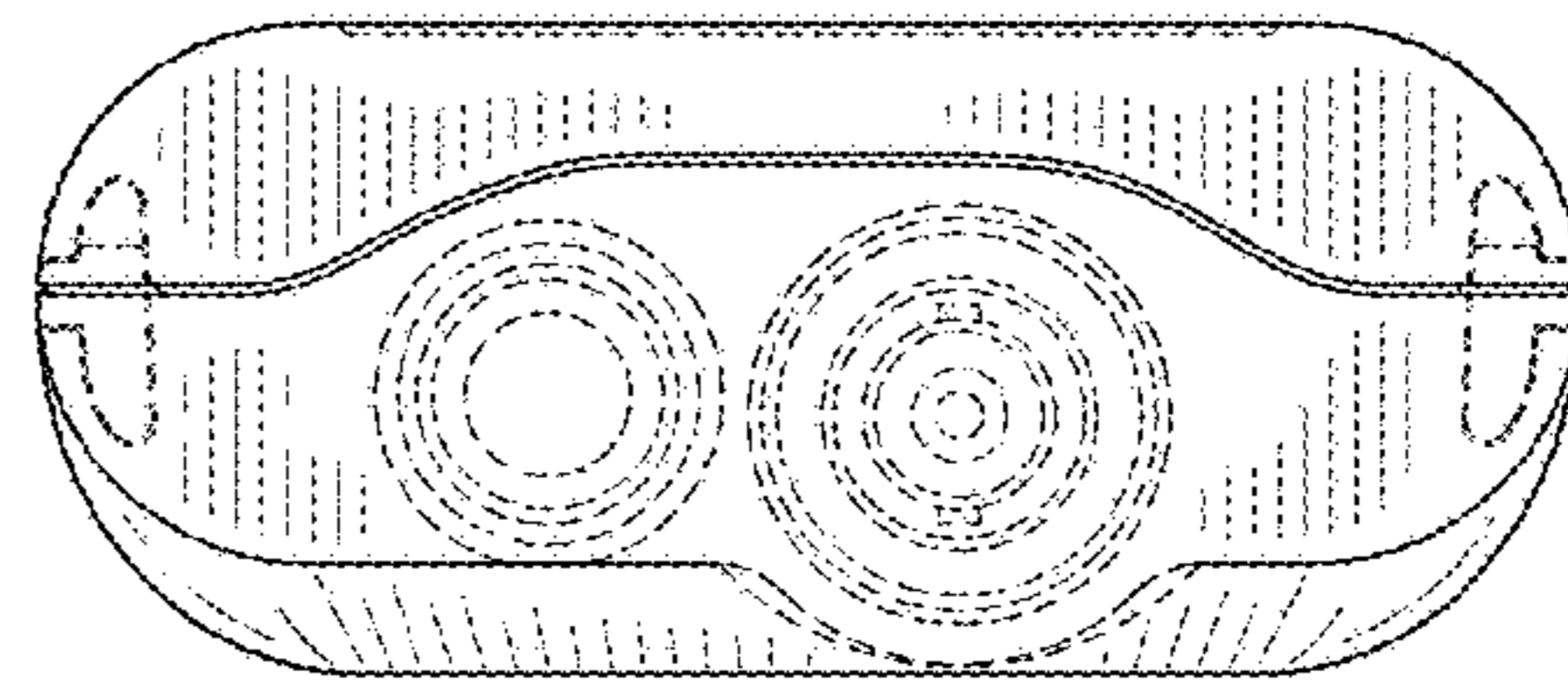


FIG. 7

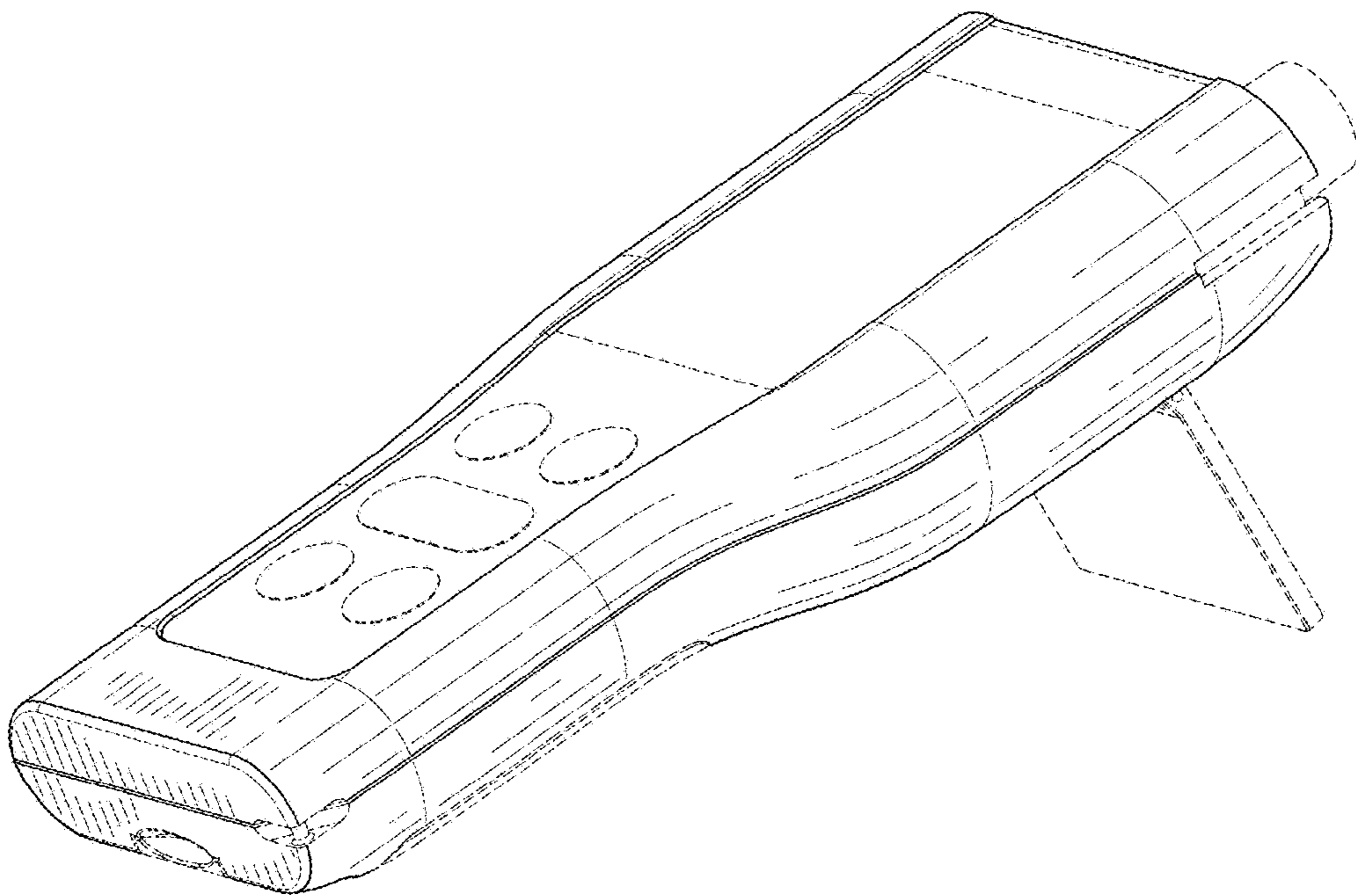


FIG. 8