



US00D793255S

(12) **United States Design Patent** (10) **Patent No.:** **US D793,255 S**
Berthier et al. (45) **Date of Patent:** **** Aug. 1, 2017**

(54) **THERMOMETER**

2013/0215928 A1 8/2013 Bellifemine
2014/0269833 A1 9/2014 Durant et al.
2015/0211941 A1 7/2015 Roth

(71) Applicant: **Withings**, Issy les Moulineaux (FR)

(72) Inventors: **Elise Berthier**, Paris (FR); **Pierre Garner**, Paris (FR)

(73) Assignee: **WITHINGS**, Issy les Moulineaux (FR)

(**) Term: **15 Years**

(21) Appl. No.: **29/563,673**

(22) Filed: **May 6, 2016**

(30) **Foreign Application Priority Data**

Nov. 6, 2015 (EM) 002850149-0001
Nov. 6, 2015 (EM) 002850149-0002

(51) **LOC (10) Cl.** **10-04**

(52) **U.S. Cl.**
USPC **D10/57**

(58) **Field of Classification Search**
USPC D10/57
CPC G01K 1/083; G01K 1/18; G01K 13/002
See application file for complete search history.

(56) **References Cited**

U.S. PATENT DOCUMENTS

D256,893 S 9/1980 Nestell et al.
D330,681 S * 11/1992 Yamada D10/57
5,991,700 A 11/1999 Clay et al.
6,292,685 B1 9/2001 Pompei
D767,418 S * 9/2016 Pateel D10/52
9,442,024 B2 9/2016 Shih et al.
2011/0194585 A1 8/2011 Shrivastava

OTHER PUBLICATIONS

Nubee Store: "Temperature Pen Mini Pocket Non-contact Infrared IR Thermometer": Sep. 21, 2013.
PawsitivePetPassion: Innoo Tech Digital Multifunction Temporal Thermometer Instant & Non-Contact Accurate Fever Thermometer: Nov. 18, 2015.
BrotherMax: Brothermax Non Contact Thermometer: Feb. 7, 2014.

* cited by examiner

Primary Examiner — Antoine D Davis

(74) *Attorney, Agent, or Firm* — Banner & Witcoff, Ltd.

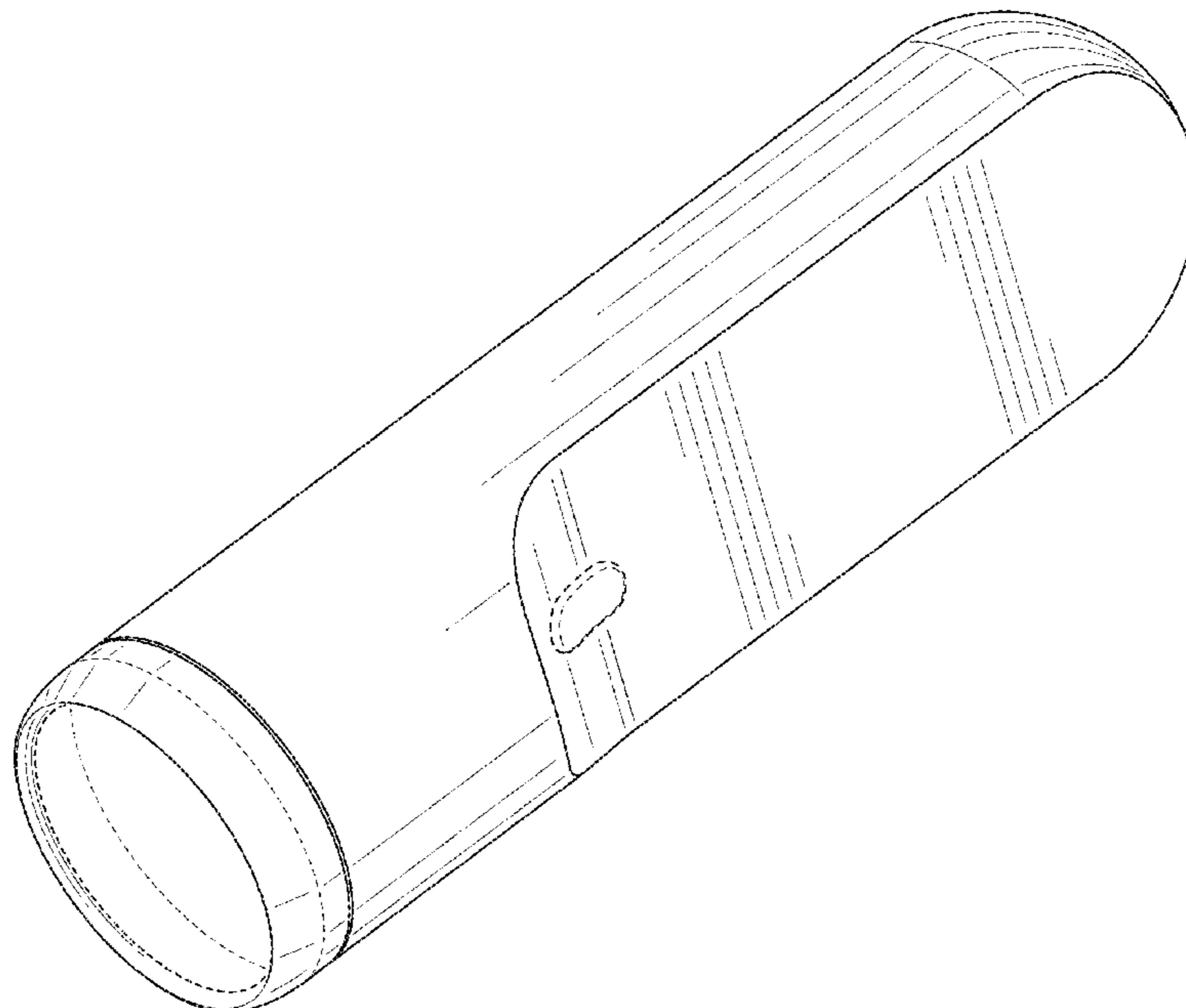
(57) **CLAIM**

The ornamental design for a thermometer, as shown and described.

DESCRIPTION

FIG. 1 is a perspective view of a thermometer showing our new design;
FIG. 2 is a front view thereof;
FIG. 3 is a rear view thereof;
FIG. 4 is a left side view thereof;
FIG. 5 is a right side view thereof;
FIG. 6 is a top view thereof; and,
FIG. 7 is a bottom view thereof.
The drawings include surface shading which represents contour and not surface ornamentation.
The broken lines illustrate structure or features which form no part of the claimed design.

1 Claim, 4 Drawing Sheets



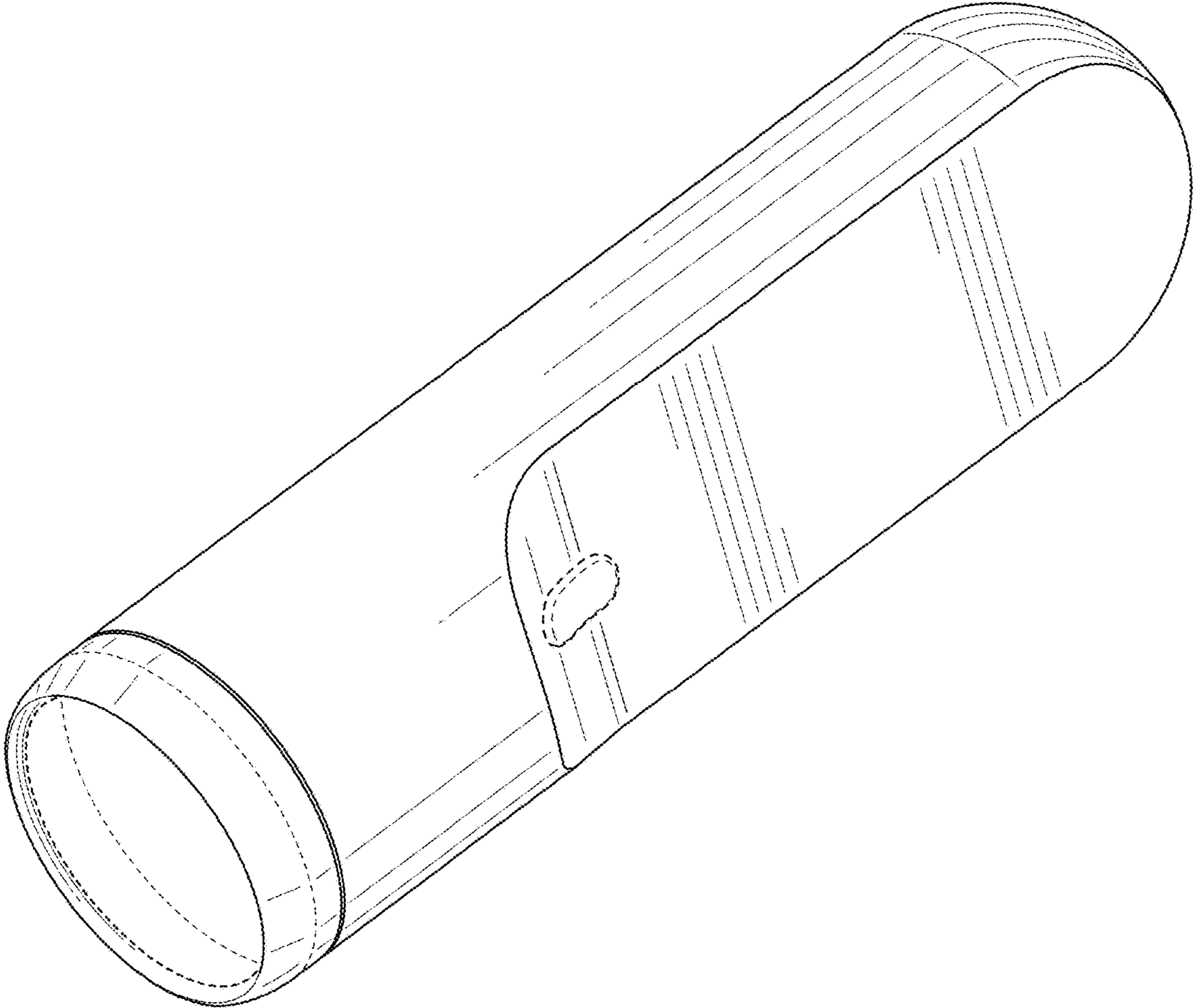


FIG. 1

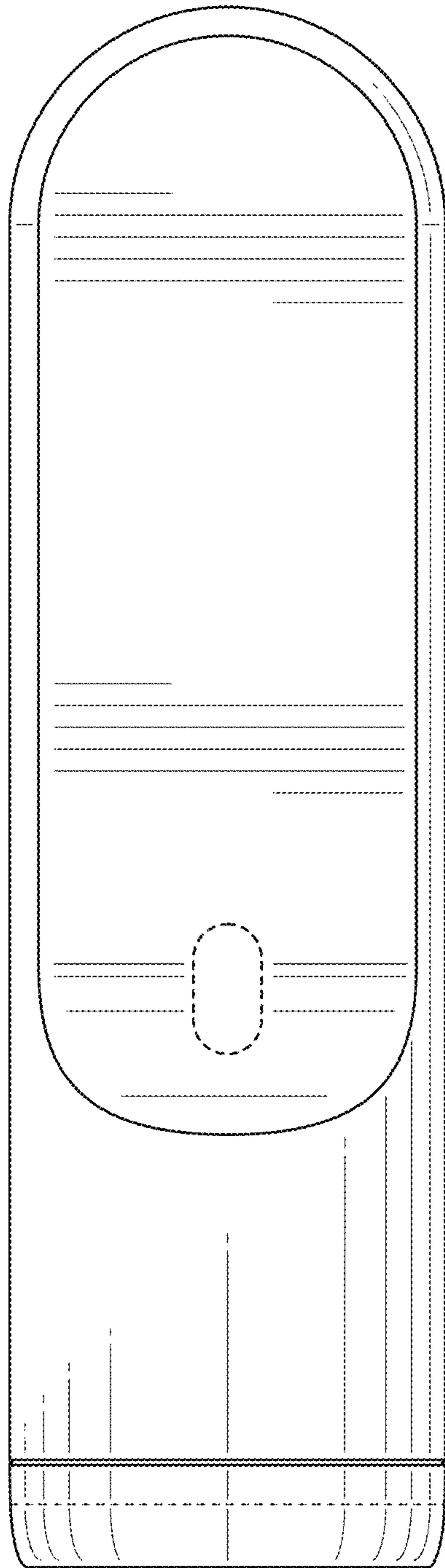


FIG. 2

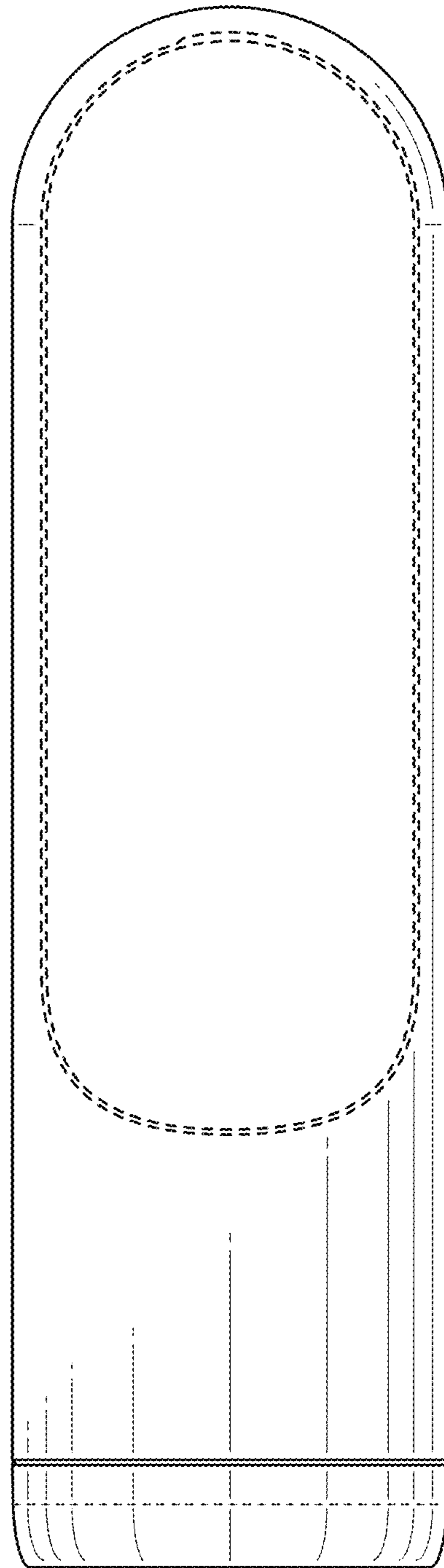


FIG. 3

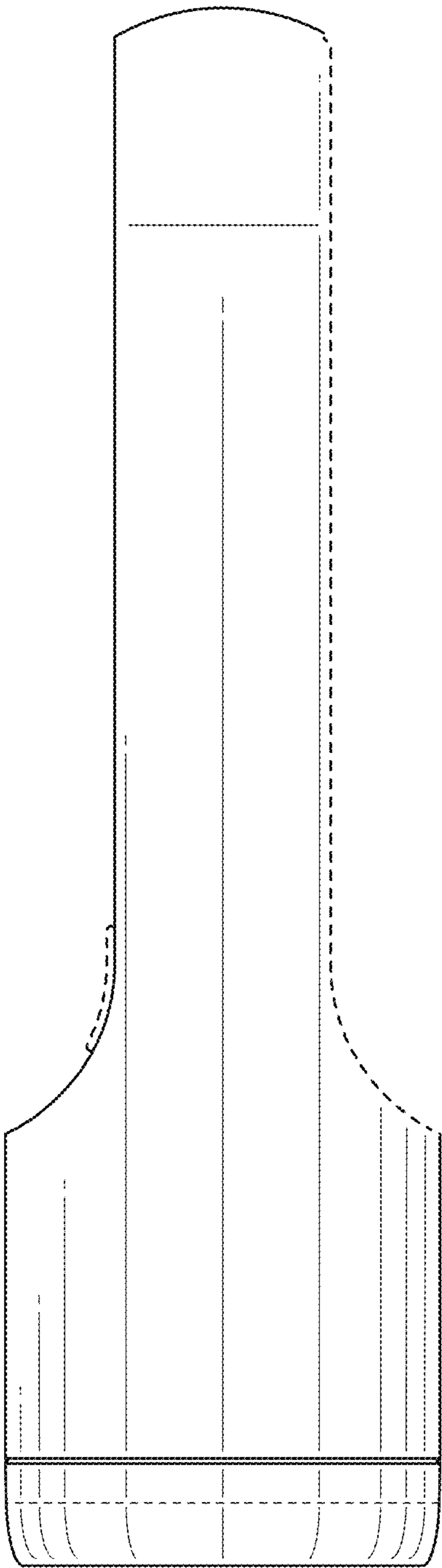


FIG. 4

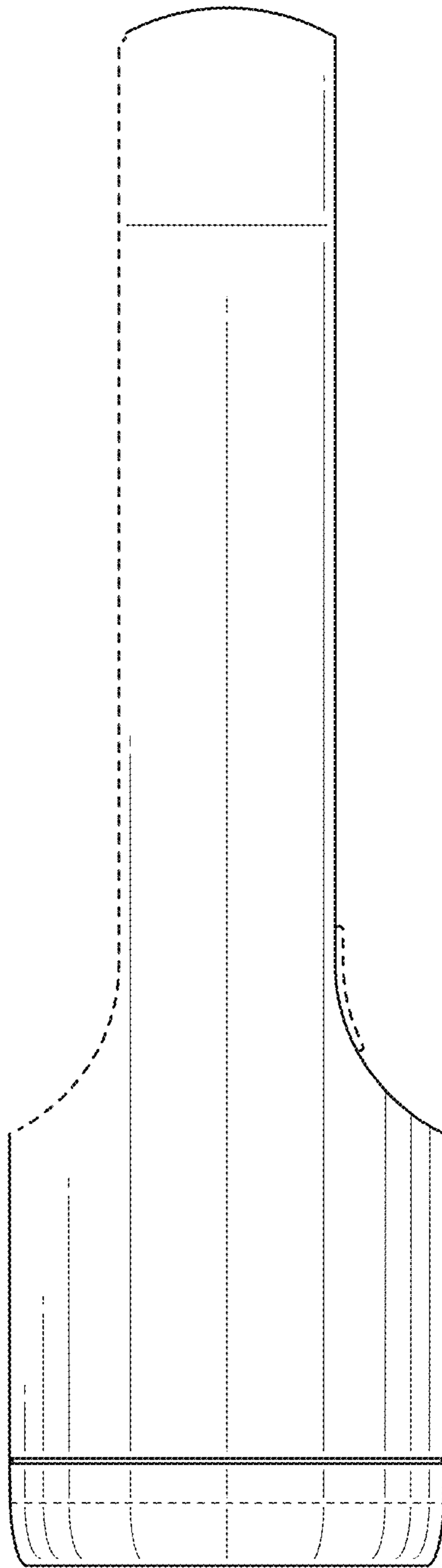


FIG. 5

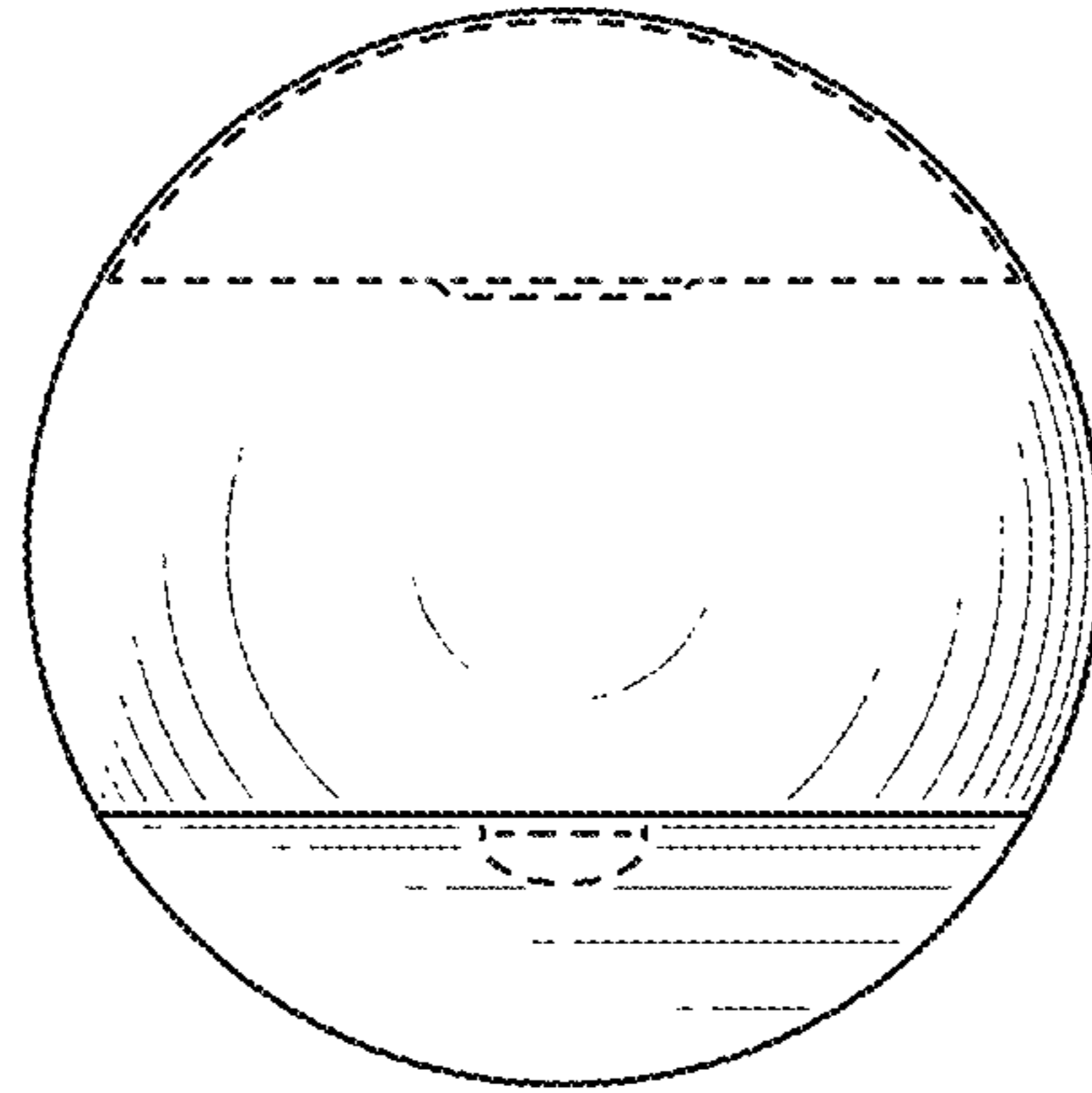


FIG. 6

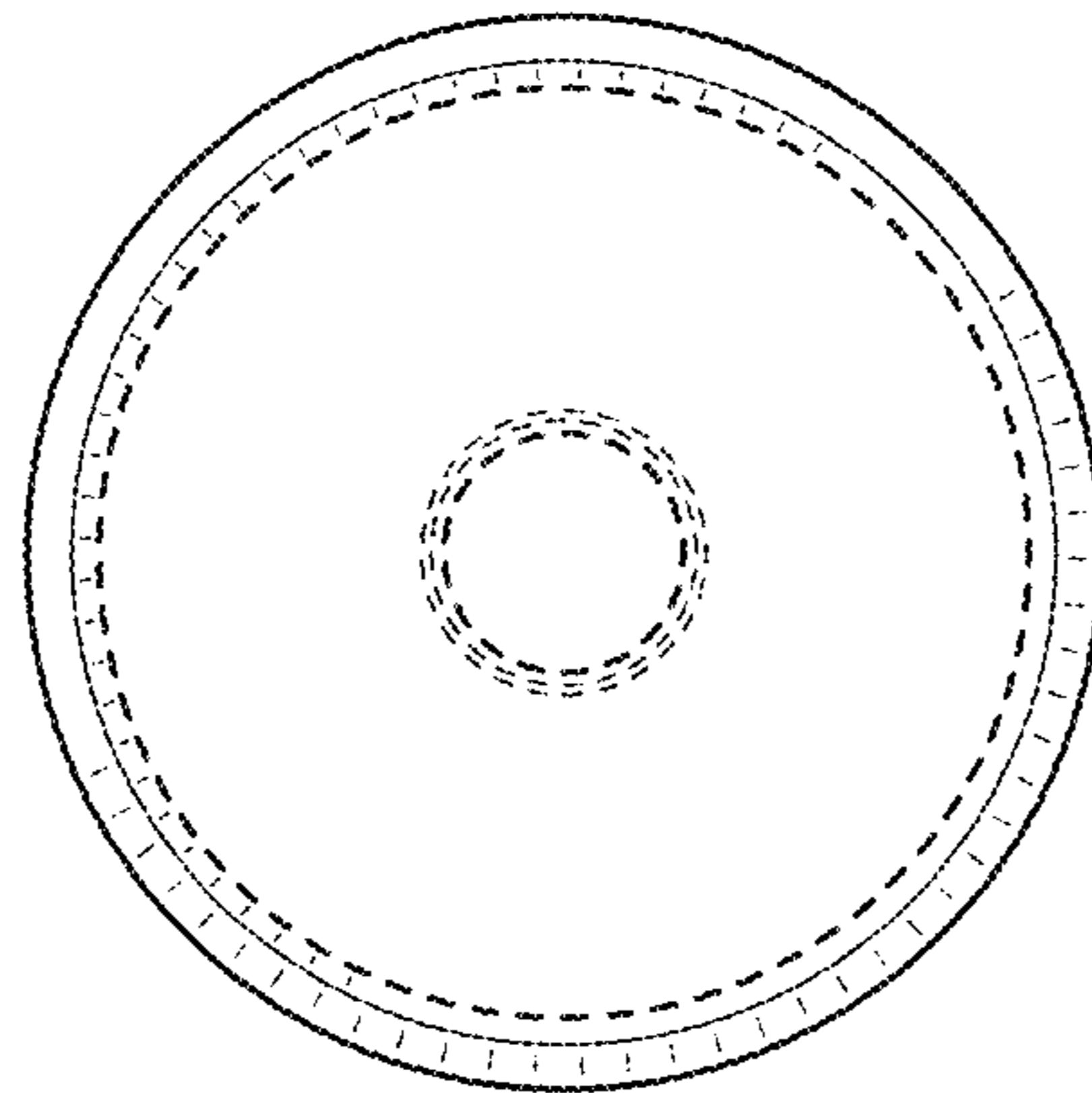


FIG. 7