



US00D793252S

(12) **United States Design Patent** (10) **Patent No.:** **US D793,252 S**  
**Prince** (45) **Date of Patent:** **\*\* Aug. 1, 2017**

(54) **TRAY FOR JUGS**

(71) Applicant: **Parmalat Canada Inc.**, Etobicoke (CA)

(72) Inventor: **Sidney Scott Prince**, Hamilton (CA)

(73) Assignee: **Parmalat Canada Inc.**, Etobicoke (CA)

(\*\*) Term: **15 Years**

(21) Appl. No.: **29/550,868**

(22) Filed: **Jan. 7, 2016**

**Related U.S. Application Data**

(62) Division of application No. 29/488,082, filed on Apr. 15, 2014, now Pat. No. Des. 750,975.

(30) **Foreign Application Priority Data**

Oct. 15, 2013 (CA) ..... 153482

Feb. 20, 2014 (CA) ..... 155233

(51) **LOC (10) Cl.** ..... **09-03**

(52) **U.S. Cl.**  
USPC ..... **D9/755**

(58) **Field of Classification Search**

USPC ..... D9/762, 757, 737, 761, 420-426, 432,  
D9/418, 415, 501, 72, 739, 742, 753, 756,  
D9/741; D7/611, 550.1, 605, 701, 553.1,  
D7/553.2, 614; D3/313, 304, 311, 314,  
D3/315; D6/396, 397, 449, 450, 466,  
D6/469, 629; D24/227; 206/139,  
206/201-203, 427, 265, 504, 518, 519,  
206/524.1, 557, 561, 564, 565, 703, 704,  
206/705, 523, 586, 515, 521.1, 521.15,  
206/521.3, 521.6, 521.8, 521.4, 521.9,  
206/406; 220/4.26, 508; 229/406;  
426/119, 112, 298, 614; D11/143, 155,  
D11/156

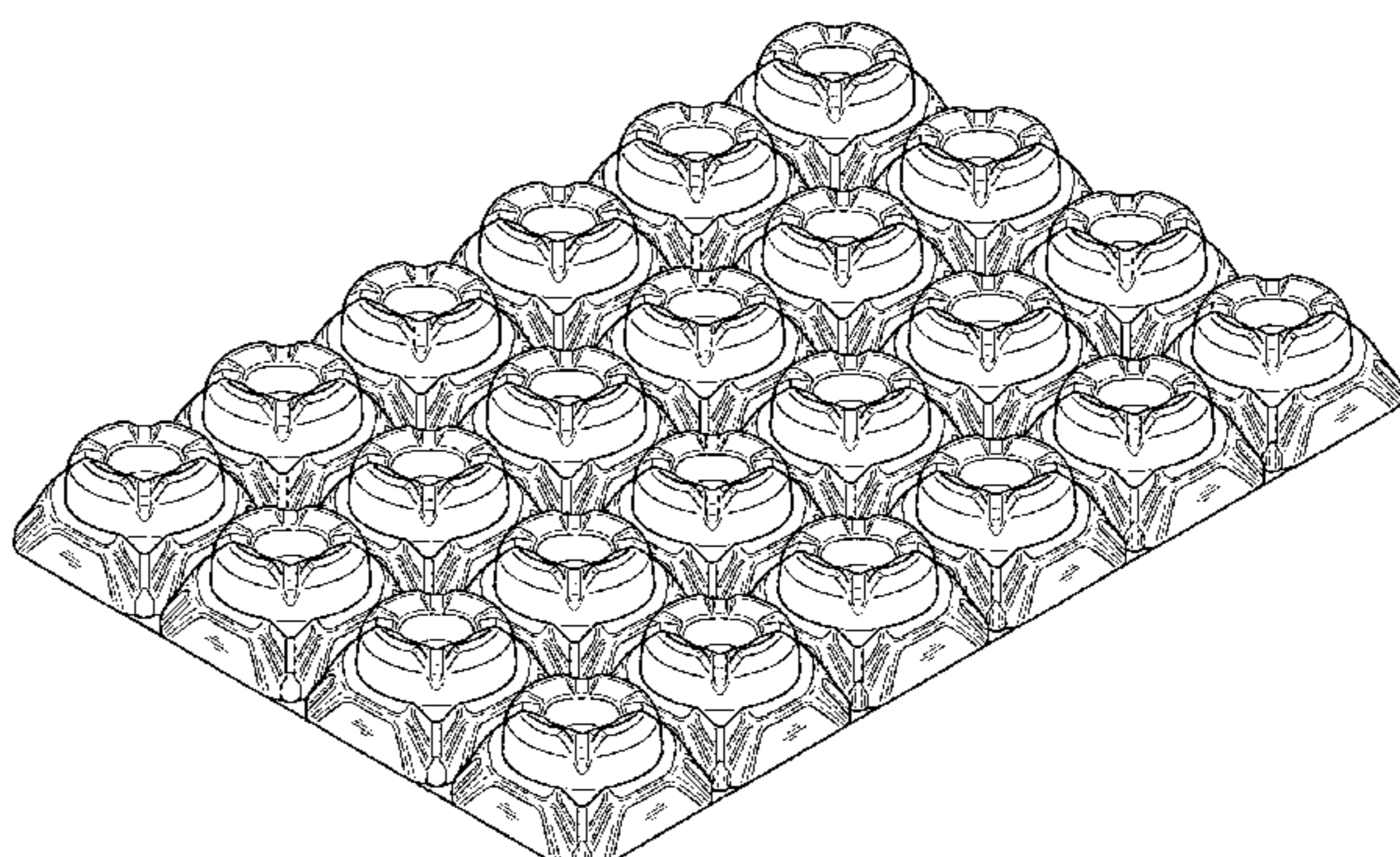
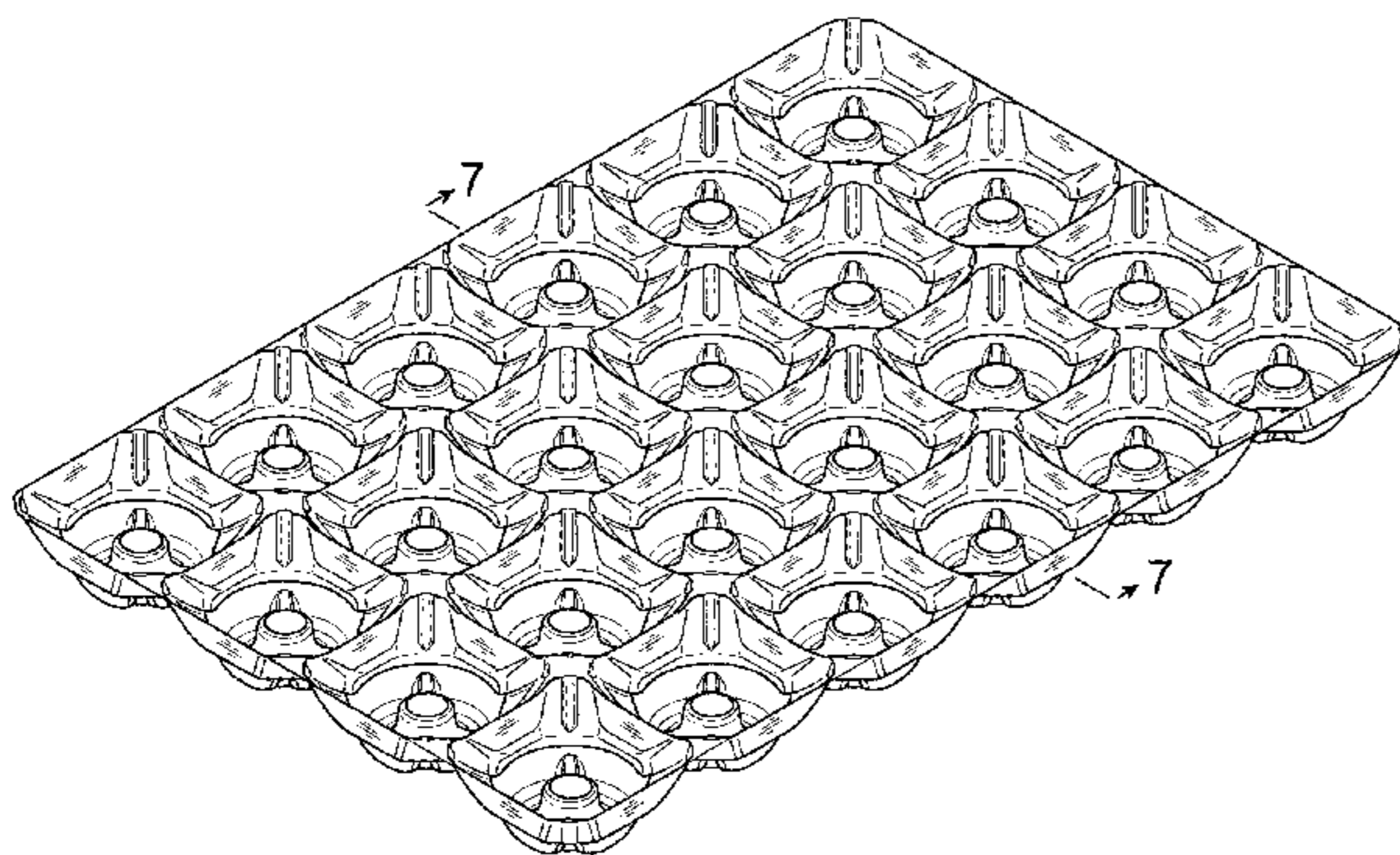
CPC ..... B65D 2543/00194; B65D 2543/00296;  
B65D 43/162; B65D 2543/00324; B65D  
83/0445

See application file for complete search history.

(56) **References Cited**

U.S. PATENT DOCUMENTS

335,569 A	2/1886	Dalphe	
2,569,681 A *	10/1951	Lennon	B65D 85/324 206/521.1
2,641,374 A	6/1953	Yuen	
2,656,945 A *	10/1953	Grant	B65D 85/322 217/26.5
2,691,456 A *	10/1954	Shepard	B65D 85/322 217/26.5
2,997,196 A *	8/1961	Emery	B65D 85/322 206/519
3,000,528 A *	9/1961	Kuhl	A01K 43/005 206/521.8
D201,847 S *	8/1965	Fleming, Jr. et al.	D9/456
D201,848 S *	8/1965	Fleming, Jr. et al.	D9/456
3,369,688 A	2/1968	Dike	
3,391,814 A	7/1968	Box	
3,420,395 A *	1/1969	Boyd	B65D 85/322 217/26.5
3,482,756 A	12/1969	Collie	
D225,836 S *	1/1973	Boyd	217/26.5
D229,674 S *	12/1973	Quigg	D9/456
4,037,722 A	7/1977	Bremer	
4,161,382 A *	7/1979	Padovani	B26F 1/14 264/163
D254,956 S	5/1980	Gilley	
4,256,224 A	3/1981	Hirota	
D261,990 S	11/1981	Roccaforte	
4,355,731 A *	10/1982	Carroll	B65D 85/322 206/521.1
4,360,231 A	11/1982	Bolin	
D281,581 S	12/1985	MacEwen	
D281,955 S	12/1985	Moller	
4,567,981 A	2/1986	Headon	
D285,905 S	9/1986	Segal	
D286,268 S	10/1986	Wolff	
4,700,837 A	10/1987	Hammett	
D292,887 S	11/1987	Schouten	
4,805,793 A	2/1989	Brandt et al.	
4,821,901 A *	4/1989	Bixler	B65D 85/322 206/520
D305,405 S *	1/1990	Wilkinson	D9/424
4,928,841 A	5/1990	Arthurs	
D308,822 S *	6/1990	Congleton	D9/757
D313,493 S	1/1991	Apps et al.	
D317,670 S	6/1991	Apps	
5,031,774 A	7/1991	Morris et al.	
5,064,101 A	11/1991	Richter et al.	
D322,917 S *	1/1992	Morris	D3/313



# US D793,252 S

D326,749 S	6/1992	Apps et al.		2010/0040744 A1*	2/2010	Park .....	A23B 5/0052
D329,932 S	9/1992	Apps					426/233
5,184,748 A	2/1993	Apps		2010/0108544 A1	5/2010	Biundo	
5,213,211 A	5/1993	Umiker		2010/0206759 A1	8/2010	Eiten et al.	
5,259,509 A	11/1993	Boal, Jr. et al.		2010/0213095 A1	8/2010	Eiten	
5,305,884 A	4/1994	Apps et al.		2010/0326872 A1	12/2010	Rivera et al.	
5,316,172 A	5/1994	Apps et al.		2011/0024318 A1	2/2011	Gilfert	
5,330,050 A	7/1994	Stansbury, Jr. et al.		2011/0284411 A1	11/2011	Delbrouck et al.	
5,377,862 A	1/1995	Oakes et al.		2013/0087477 A1	4/2013	Kuhn et al.	
5,643,656 A *	7/1997	Lin .....	B65D 81/127 108/51.3	2013/0233815 A1	9/2013	Lesbirel	
5,645,169 A	7/1997	Dull et al.		2014/0197064 A1	7/2014	Prince et al.	
5,673,792 A	10/1997	Aikio					
D389,403 S	1/1998	Rahr					
D410,842 S	6/1999	DiMarzo et al.					
D412,399 S *	8/1999	Apps .....	D3/312	CA	103676 A	2/1907	
6,012,583 A *	1/2000	Ramirez .....	B65D 85/324 206/508	CA	104487 A	4/1907	
D426,771 S	6/2000	Blow et al.		CA	130401 A	1/1911	
D427,482 S	7/2000	Mittmann		CA	131231 A	2/1911	
6,276,531 B1 *	8/2001	Andrews .....	B65D 85/32 206/511	CA	131364 A	2/1911	
6,279,770 B1	8/2001	Osbakk et al.		CA	133031 A	5/1911	
6,290,057 B1	9/2001	Hurley		CA	133271 A	5/1911	
6,367,645 B1	4/2002	Trygg		CA	133558 A	6/1911	
D461,719 S	8/2002	Nicodemus et al.		CA	201958 A	7/1920	
6,582,179 B1	6/2003	Simkowski		CA	205000 A	10/1920	
D494,468 S	8/2004	Vovan		CA	207213 A	1/1921	
D513,596 S	1/2006	Hamblin et al.		CA	208485 A	2/1921	
7,017,746 B2	3/2006	Apps		CA	208800 A	2/1921	
D524,651 S *	7/2006	Perret .....	D3/304	CA	214575 A	12/1921	
D535,881 S *	1/2007	Liukko .....	D3/304	CA	233432 A	8/1923	
D556,567 S	12/2007	Templeton		CA	235190 A	10/1923	
D561,025 S	2/2008	Gilfert		CA	237629 A	2/1924	
D561,588 S	2/2008	Gilfert		CA	237748 A	2/1924	
D567,672 S	4/2008	Sheu		CA	238588 A	3/1924	
7,467,714 B2	12/2008	Slat et al.		CA	238901 A	3/1924	
D587,116 S *	2/2009	Landry .....	D9/456	CA	244308 A	11/1924	
D590,715 S	4/2009	Gilfert		CA	245123 A	12/1924	
D594,660 S	6/2009	Lindstrom		CA	246304 A	1/1925	
D600,016 S	9/2009	Tiilikainen		CA	251304 A	6/1925	
D600,021 S	9/2009	Lindstrom		CA	256113 A	12/1925	
D606,422 S	12/2009	Schmidt		CA	2002417 A1	5/1990	
D615,758 S *	5/2010	Lindstrom .....	D3/304	CA	2019014 A1	1/1991	
D619,860 S *	7/2010	Kulzer .....	D7/553.2	CA	2030247 A1	8/1991	
D628,449 S	12/2010	Kulzer		CA	1301091 C	5/1992	
D628,450 S	12/2010	Kulzer		CA	2126179 A1	4/1994	
D632,960 S	2/2011	Gilfert		CA	2199971 A1	3/1996	
D642,937 S	8/2011	Birchmeier et al.		CA	2212083 A1	8/1996	
D653,107 S	1/2012	Margan		CA	2218138 A1	10/1996	
8,109,216 B2	2/2012	Nono et al.		CA	2195137 A1	7/1997	
D655,158 S	3/2012	Drozek et al.		CA	2207531 A1	4/1998	
D659,551 S *	5/2012	Ramirez .....	D9/757	CA	2255699 A1	9/1998	
8,235,214 B2	8/2012	Eiten et al.		CA	2242883 A1	3/1999	
D667,305 S	9/2012	Kuhn et al.		CA	2346126 A1	5/2000	
8,448,806 B2	5/2013	Hassell		CA	2368713 A1	11/2000	
D683,541 S *	6/2013	Lindstrom .....	D3/313	CA	2396000 A1	12/2000	
D689,376 S *	9/2013	Von der Ahe .....	D9/757	CA	2361121 A1	5/2002	
D700,053 S	2/2014	Chudleigh		CA	2408869 A1	4/2003	
D707,554 S	6/2014	Lavoie		CA	2608661 A1	12/2006	
D730,183 S	5/2015	Fahl		CA	2670323 A1	5/2008	
D743,793 S *	11/2015	Prince .....	D9/456	CA	2683012 A1	12/2008	
D744,341 S *	12/2015	Prince .....	D9/456	CA	2701030 A1	4/2009	
D750,975 S *	3/2016	Prince .....	D9/456	CA	2654672 A1	8/2009	
D766,663 S *	9/2016	Bergeron .....	D7/553.1	CA	2666087 A1	12/2009	
2002/0108880 A1	8/2002	Krupa et al.		CA	2669586 A1	12/2009	
2002/0148837 A1	10/2002	Apps		CA	2681682 A1	4/2010	
2005/0279651 A1	12/2005	Perret et al.		CA	2681686 A1	4/2010	
2006/0096942 A1	5/2006	Lane		CA	2755127 A1	9/2010	
2006/0260971 A1	11/2006	Rivera et al.		CA	2699144 A1	10/2010	
2006/0283755 A1	12/2006	Slat et al.		CA	2699804 A1	10/2010	
2007/0138177 A1 *	6/2007	Vovan .....	B65D 11/188 220/230	CA	2706290 A1	12/2010	
2007/0256954 A1 *	11/2007	Vovan .....	B65D 71/70 206/521.1	CA	2707995 A1	12/2010	
2008/0217200 A1	9/2008	Eiten et al.		CA	2713166 A1	3/2011	
2008/0302691 A1	12/2008	Olson et al.		CA	2804852 A1	1/2012	
2009/0108002 A1	4/2009	Delbrouck et al.		CA	2767549 A1	8/2012	
2009/0223854 A1	9/2009	Apps		DE	3108411 U1	9/1981	
				DE	3210033 U1	10/1992	
				DE	1425569 A1	1/1996	
				DE	102005029304 A1	1/2007	
				GB	1097870 A	1/1968	
				GB	2220196A A	1/1990	

## FOREIGN PATENT DOCUMENTS

WO	9741044	A1	11/1997
WO	9901345	A	1/1999
WO	0058173	A1	10/2000
WO	201055204	A1	5/2010
WO	201154700	A1	5/2011
WO	2011138788	A1	11/2011
WO	2012037993	A1	3/2012
WO	2013004248	A1	1/2013
WO	2013116269	A1	8/2013

OTHER PUBLICATIONS

Stackable bottle holders, draining tray sold separately; <http://www.baderbrewing.com/products/beer-bottling-wine-bottles-drying-racks/fastrack-stackable-bottle-drainer>; Oct. 23, 2013.  
Oct. 14, 2014—(CA) Examiner's Report—2837801.  
Canadian Office Action Application No. 2,837,801 dated May 26, 2014.

\* cited by examiner

*Primary Examiner* — Cathron Brooks  
*Assistant Examiner* — Teddy Falloway

(74) *Attorney, Agent, or Firm* — Banner & Witcoff, Ltd.

(57) **CLAIM**

The ornamental design for a tray for jugs, as shown and described.

**DESCRIPTION**

FIG. 1 is a top, front, right perspective view of a tray for jugs showing my new design;  
FIG. 2 is a bottom, front, left perspective view thereof;  
FIG. 3 is a right side view thereof;  
FIG. 4 is a left side view thereof;  
FIG. 5 is a front side view thereof;  
FIG. 6 is a rear side view thereof;  
FIG. 7 is a cross-sectional view at 7-7 in FIG. 1 thereof;  
FIG. 8 is a top view thereof; and,  
FIG. 9 is a bottom view thereof.

**1 Claim, 6 Drawing Sheets**

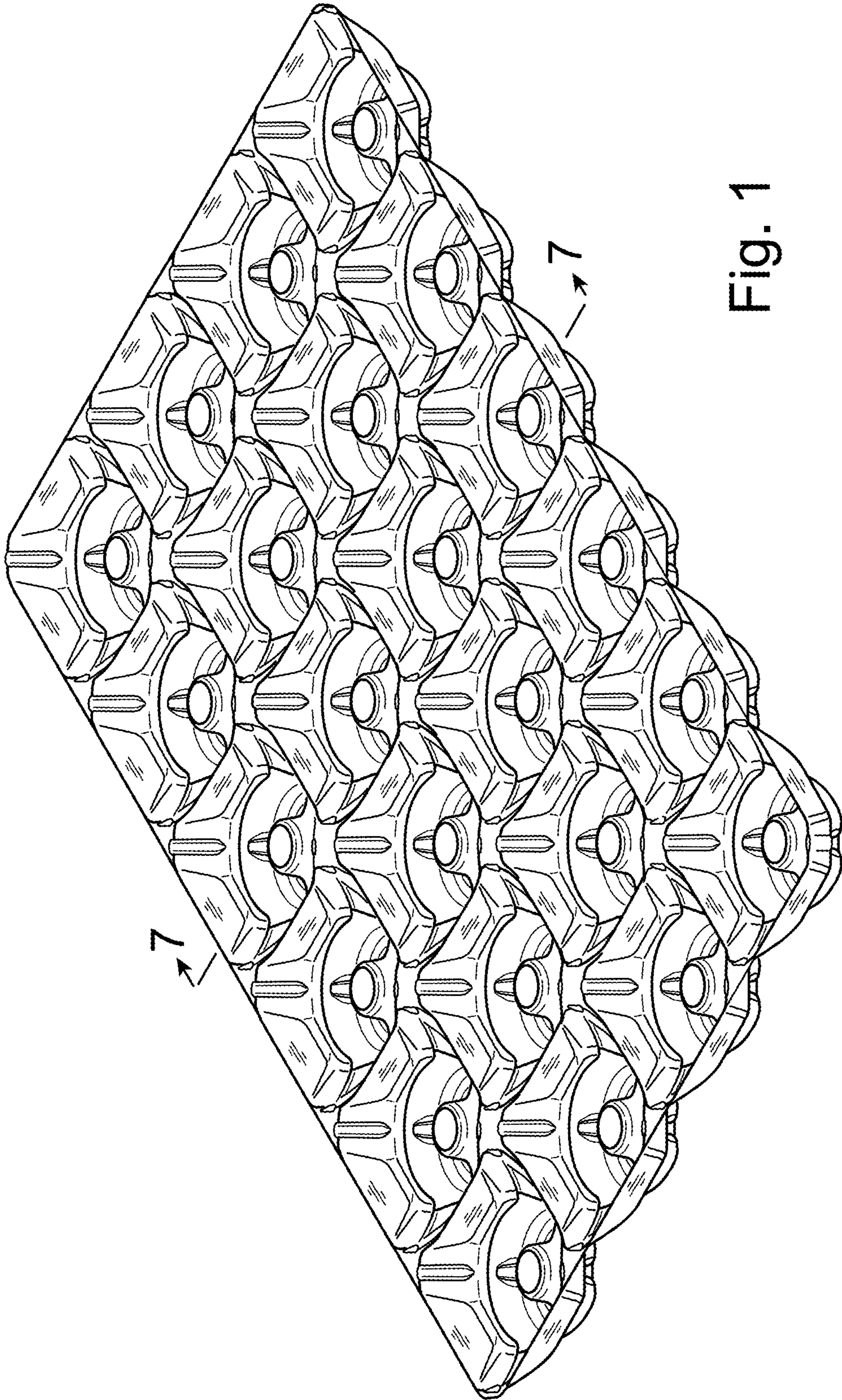


Fig. 1

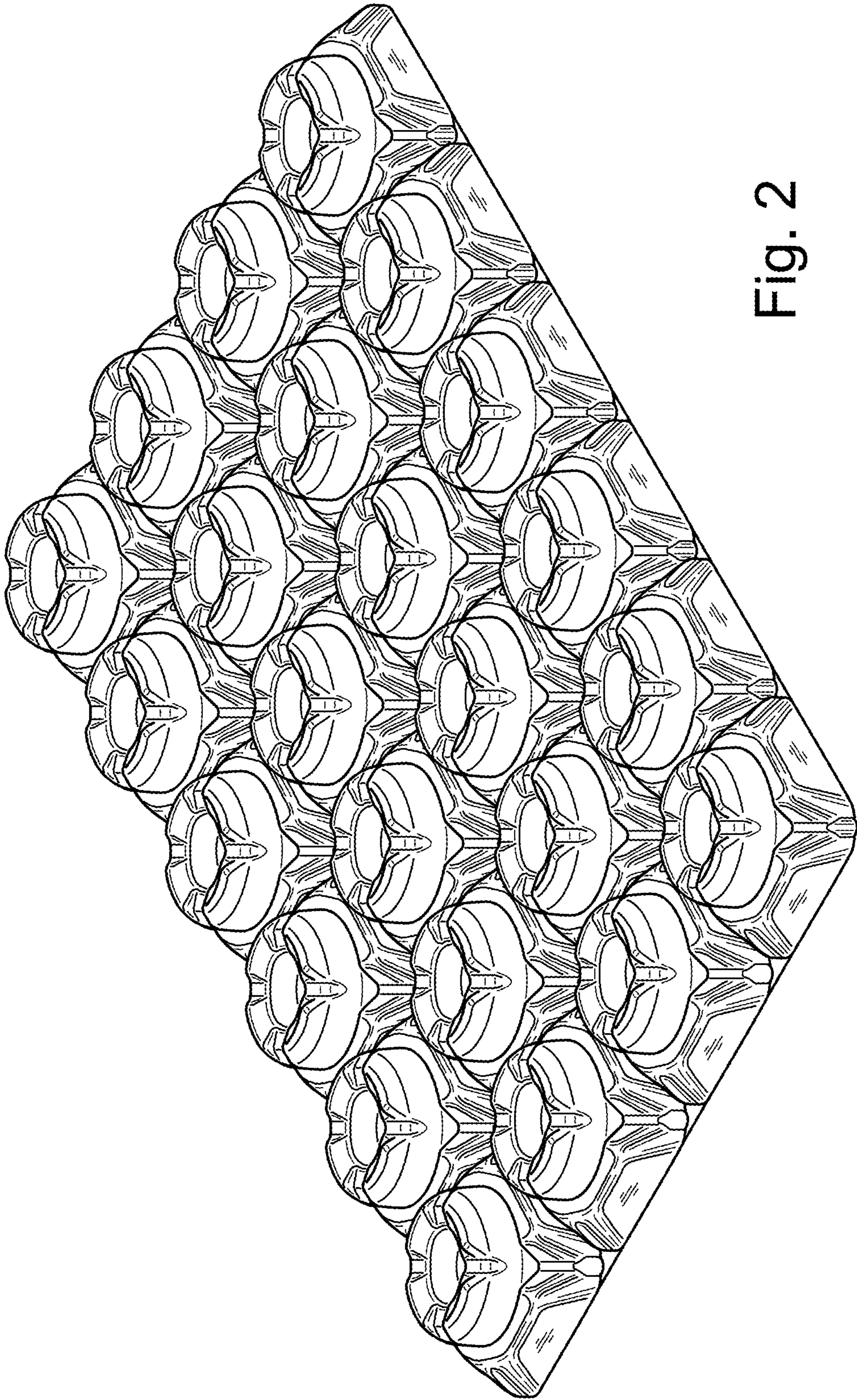


Fig. 2

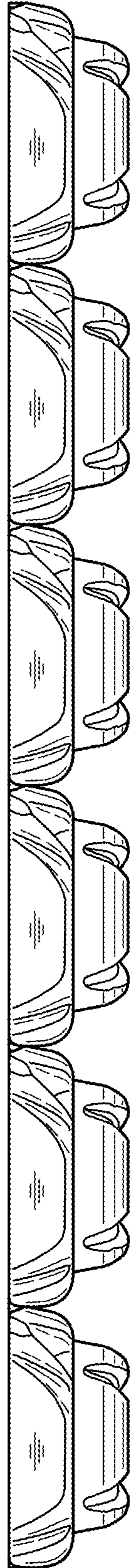


Fig. 3



Fig. 4

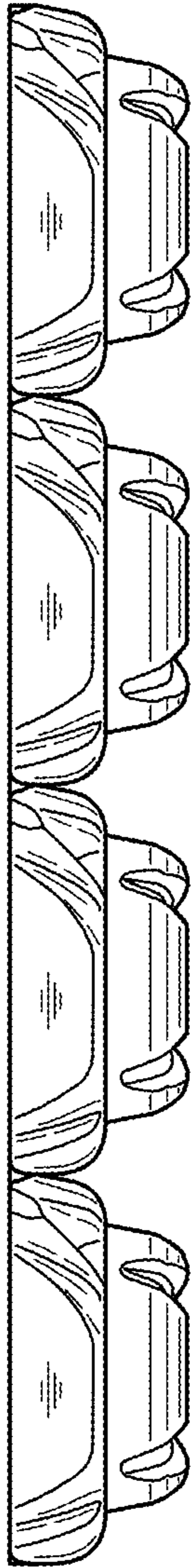


Fig. 5

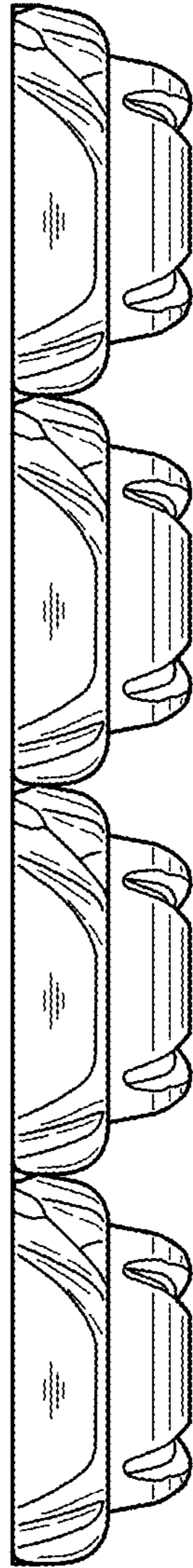


Fig. 6



Fig. 7

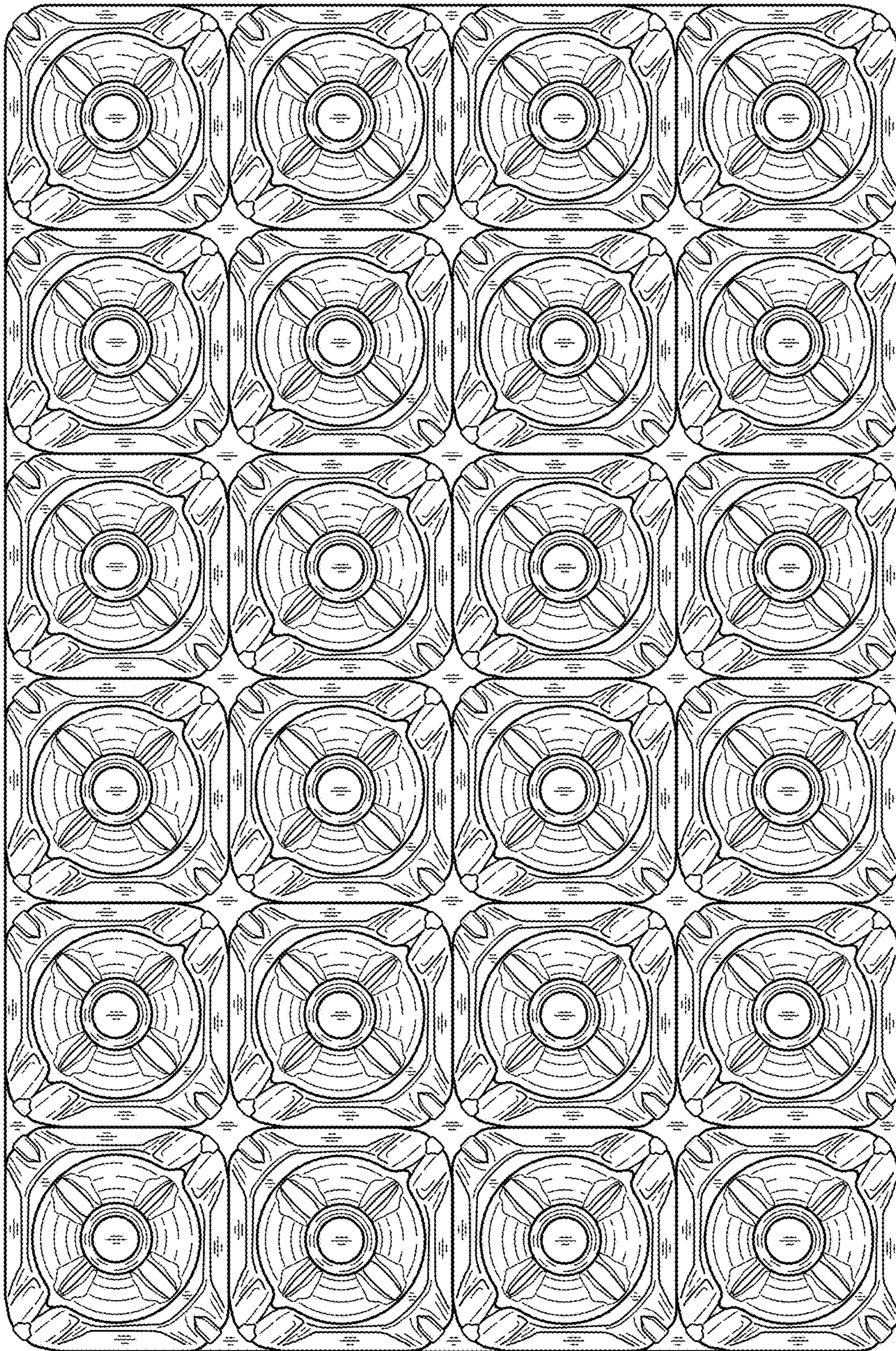


Fig. 8



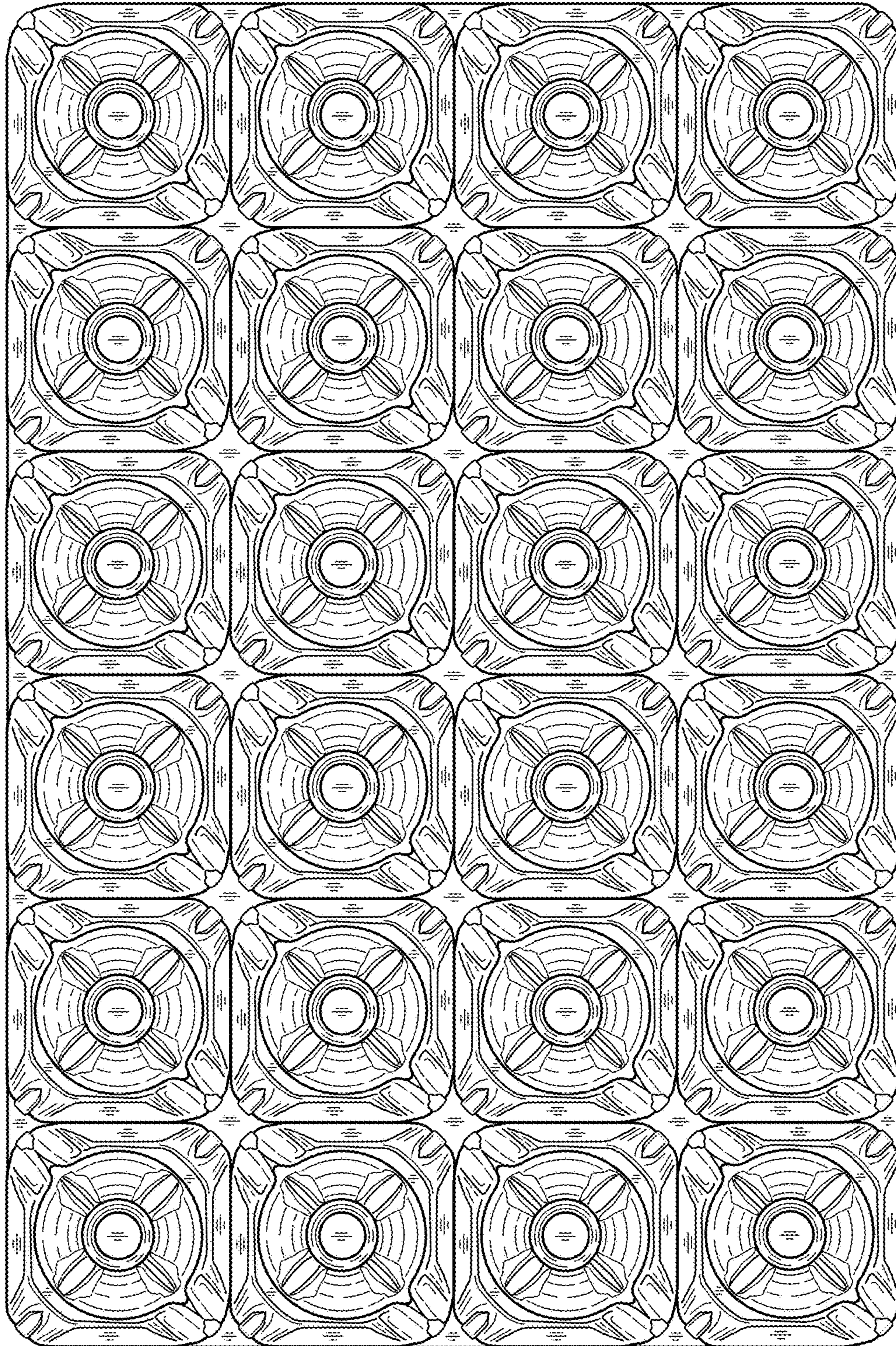


Fig. 9