



US00D793251S

(12) **United States Design Patent** (10) **Patent No.:** **US D793,251 S**
Jones et al. (45) **Date of Patent:** **** Aug. 1, 2017**

(54) **PACKAGING**

33/008; B65D 33/12; B65D 33/16; B65D 33/00; B65D 25/04

See application file for complete search history.

(71) Applicant: **LifeNet Health**, Virginia Beach, VA (US)

(56) **References Cited**

(72) Inventors: **Joshua Jones**, Virginia Beach, VA (US); **Payal Sohoni**, Virginia Beach, VA (US); **Uzair Rajput**, Virginia Beach, VA (US)

U.S. PATENT DOCUMENTS

3,070,275 A * 12/1962 Bostrom B65D 51/28 220/500
3,445,050 A * 5/1969 Friehe B65D 43/022 220/23.88

(Continued)

(73) Assignee: **LifeNet Health**, Virginia Beach, VA (US)

Primary Examiner — Cathron Brooks
Assistant Examiner — Teddy Falloway
(74) *Attorney, Agent, or Firm* — RatnerPrestia

(**) Term: **15 Years**

(57) **CLAIM**

(21) Appl. No.: **29/535,049**

The ornamental design for packaging, as shown and described.

(22) Filed: **Aug. 7, 2015**

DESCRIPTION

(51) **LOC (10) Cl.** **09-03**

(52) **U.S. Cl.**

USPC **D9/737**

(58) **Field of Classification Search**

USPC D9/702, 703, 705, 707, 709–711, 713, D9/720, 737; D7/549, 553.2, 590, 602; D3/201, 203.1, 203.3, 303, 202; 206/527, 206/4.27, 807, 260, 811, 103, 203, 207; 229/87.06, 87.08, 200, 120.02, 120.011; 220/554, 23.4, 500, 666; 426/106, 114, 426/115, 119, 120; 383/45, 47, 84, 100, 383/103, 107, 108, 113, 114, 200, 203, 383/205, 40, 15, 38, 69; 222/92, 107, 222/215, 206

CPC B65D 31/12; B65D 33/2566; B65D 81/3261; B65D 33/2508; B65D 33/2541; B65D 33/2591; B65D 2575/586; B65D

FIG. 1 is a perspective view of the inner tray lid of the packaging of our new design, shown separately for completeness of illustration.

FIG. 2 is a top view of the inner tray lid thereof.

FIG. 3 is a front view of the inner tray lid thereof.

FIG. 4 is a side view of the inner tray lid thereof.

FIG. 5 is a bottom view of the inner tray lid thereof.

FIG. 6 is a perspective view of the inner tray of the packaging of our new design, shown separately for completeness of illustration.

FIG. 7 is a top view of the inner tray thereof.

FIG. 8 is a front view of the inner tray thereof.

FIG. 9 is a side view of the inner tray thereof.

FIG. 10 is a bottom view of the inner tray thereof.

FIG. 11 is a perspective view of the outer tray of the packaging of our new design, shown separately for completeness of illustration.

FIG. 12 is a top view of the outer tray thereof.

FIG. 13 is a front view of the outer tray thereof.

FIG. 14 is a side view of the outer tray thereof.

FIG. 15 is a bottom view of the outer tray thereof; and,

(Continued)

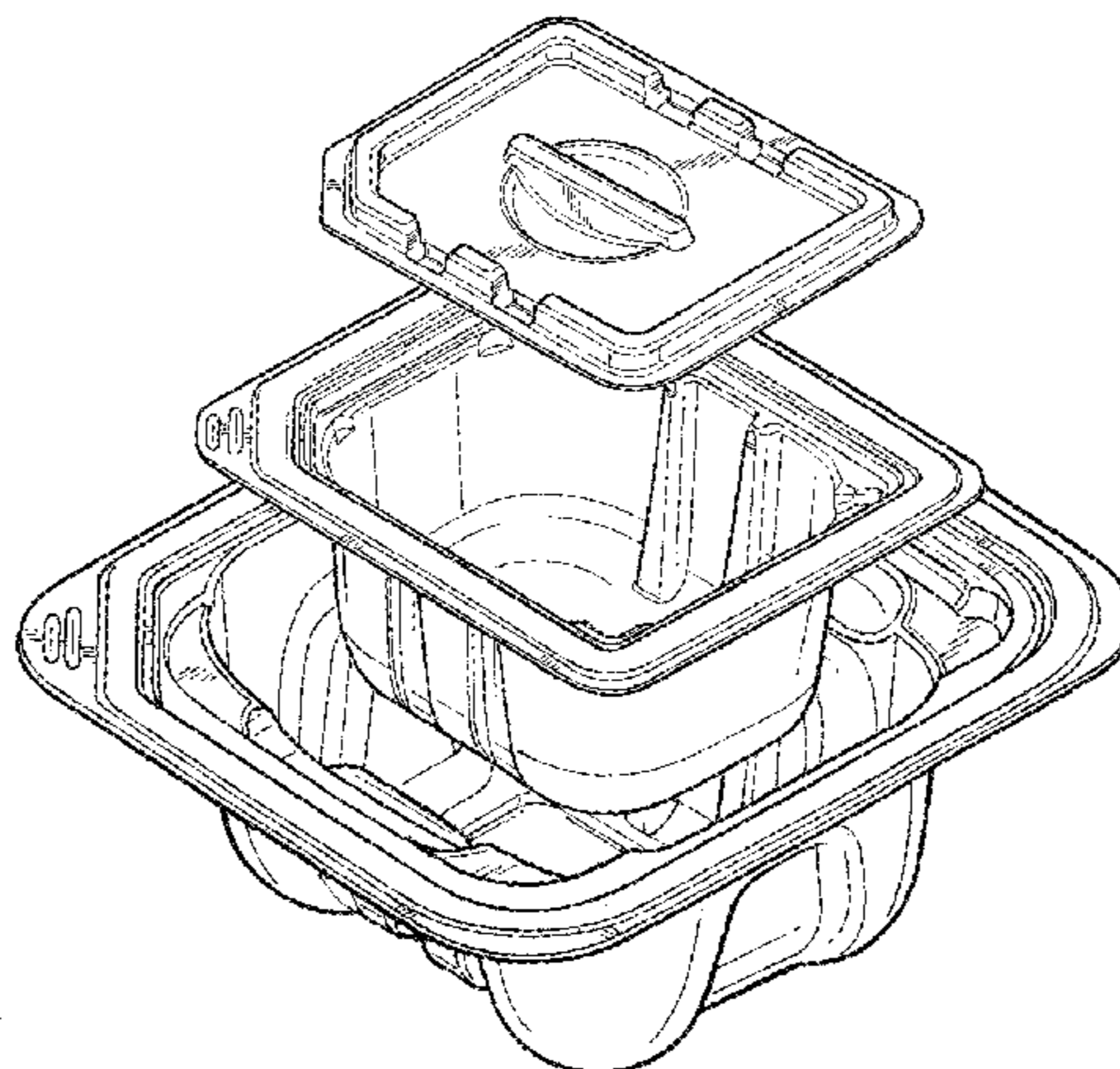


FIG. 16 is a perspective view of the packaging of our new design.

The broken lines shown illustrate portions of the packaging that form no part of the claimed design.

1 Claim, 10 Drawing Sheets

(56)

References Cited

U.S. PATENT DOCUMENTS

4,697,703 A * 10/1987 Will A61F 2/0095
206/363
4,750,619 A * 6/1988 Cohen A61F 2/0095
206/363
4,807,776 A * 2/1989 Cortopassi B65D 1/24
220/23.83
5,148,920 A * 9/1992 Walker B65D 81/1075
206/438
D356,256 S * 3/1995 Romanoff D3/282
5,720,391 A * 2/1998 Dohm A61F 2/0095
206/363
D392,884 S * 3/1998 Hayes D9/431
5,868,253 A * 2/1999 Krueger A61F 2/0095
206/363
D450,240 S * 11/2001 Haag D9/416
6,568,534 B2 * 5/2003 Zank A47J 27/12
206/508
6,622,864 B1 * 9/2003 Debbs A61L 2/26
206/363
D482,277 S * 11/2003 Castellanos D9/418
D485,473 S * 1/2004 Dais D7/629
D522,355 S * 6/2006 Castellanos D9/418

D531,054 S * 10/2006 Sagel D9/424
D551,091 S * 9/2007 Shahsavarani D9/737
7,320,404 B2 * 1/2008 Landis A61F 2/0095
206/438
D587,993 S * 3/2009 Vovan D9/416
D629,264 S * 12/2010 Curtin D7/602
D637,483 S * 5/2011 Snedden D9/425
D659,023 S * 5/2012 Hsu D9/737
D662,424 S * 6/2012 Lindsay D7/602
D665,662 S * 8/2012 Schick D9/425
8,240,477 B2 * 8/2012 Lightner B65D 77/0453
206/438
D684,855 S * 6/2013 BeVier D9/429
D690,198 S * 9/2013 Haracourt D7/602
D696,938 S * 1/2014 BeVier D7/602
D698,666 S * 2/2014 Sifuentes D9/425
D698,667 S * 2/2014 Snedden D9/425
D708,941 S * 7/2014 Das D9/425
8,911,807 B2 * 12/2014 Hinze B65D 77/2072
220/784
9,084,668 B2 * 7/2015 Hamas A61F 2/0095
9,108,766 B2 * 8/2015 Gosen B65D 21/0223
D741,166 S * 10/2015 Tyberghein D9/425
D764,948 S * 8/2016 Green D9/734
9,433,469 B2 * 9/2016 Kinyon A61F 2/0095
D769,986 S * 10/2016 Ting D21/500
9,474,686 B2 * 10/2016 Neal A61F 2/0095
D772,058 S * 11/2016 Urushidani D7/602
D772,059 S * 11/2016 Urushidani D7/602
2004/0058038 A1 * 3/2004 Lee A47J 47/14
426/107
2007/0059406 A1 * 3/2007 Shahsavarani A23B 7/148
426/106
2010/0140124 A1 * 6/2010 Hafner A61F 2/0095
206/363

* cited by examiner

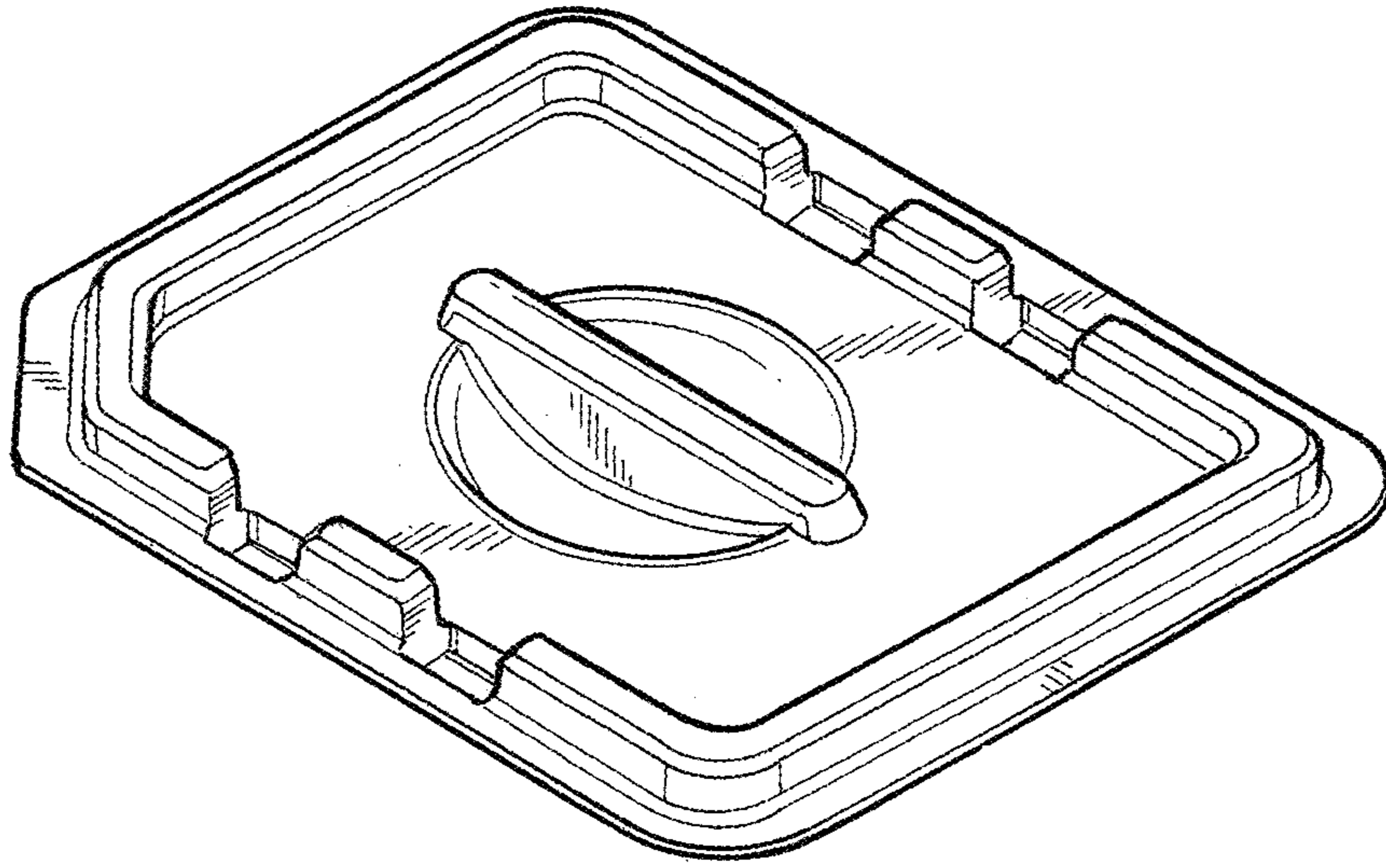


FIG. 1

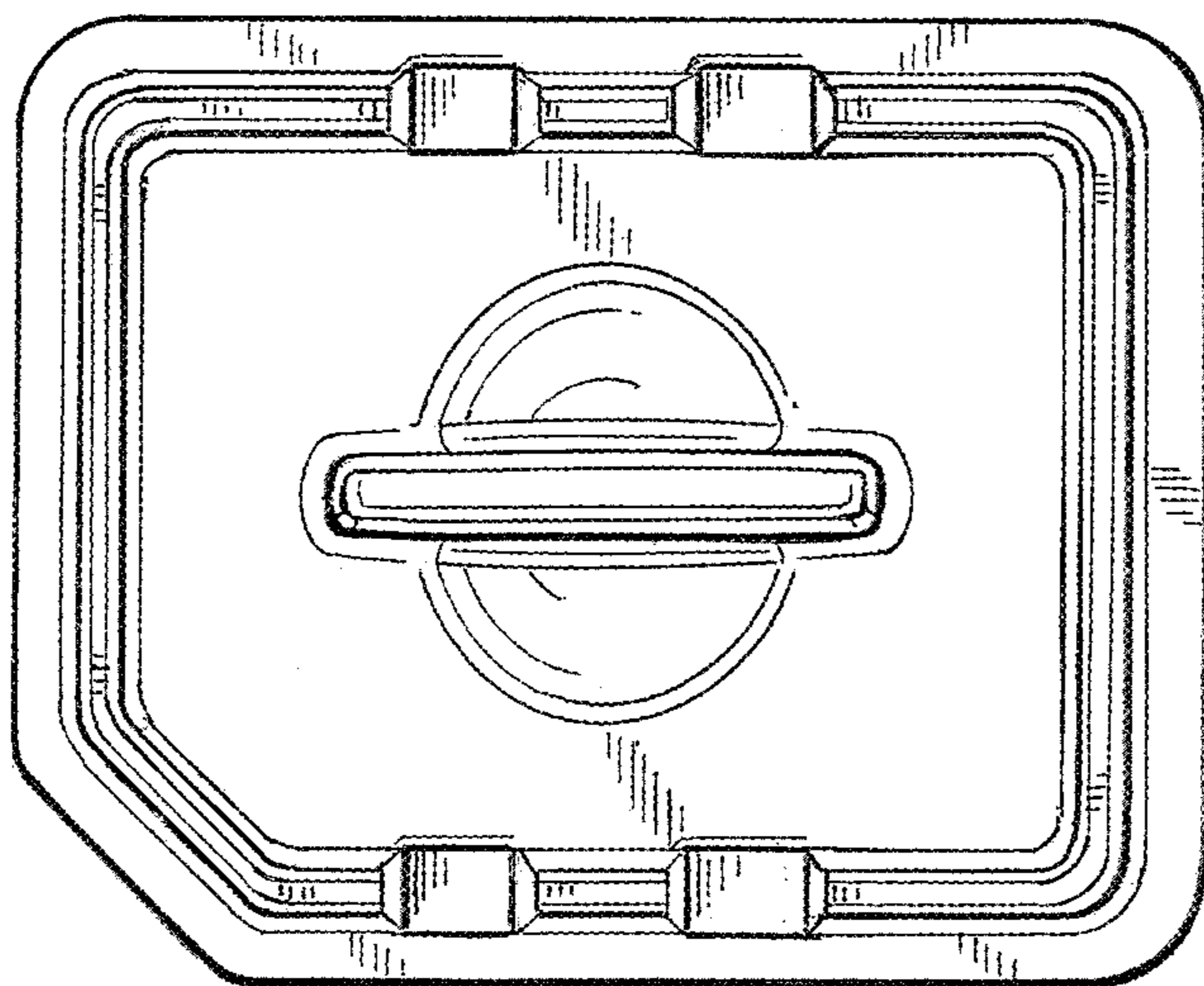


FIG. 2

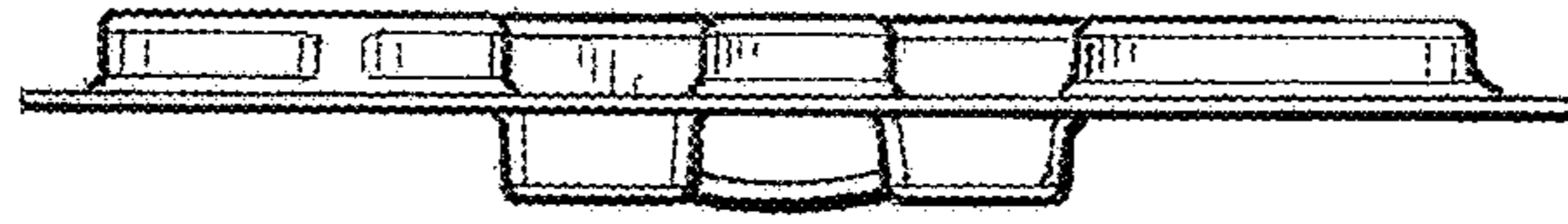


FIG. 3

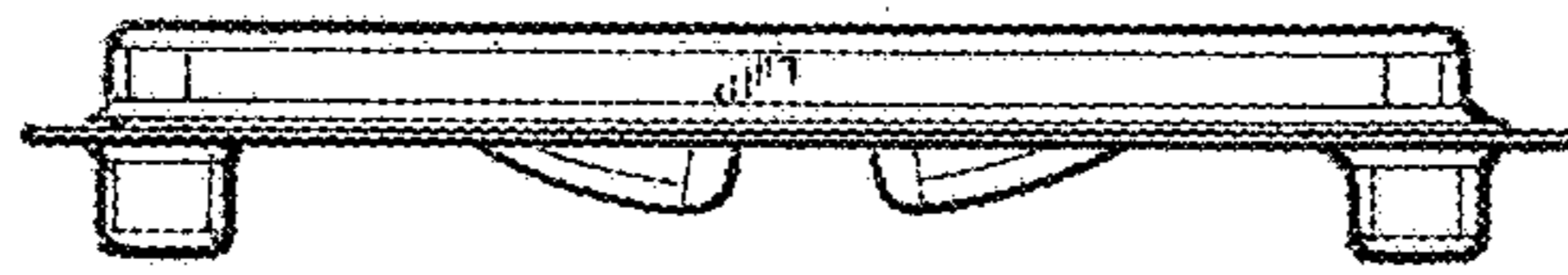


FIG. 4

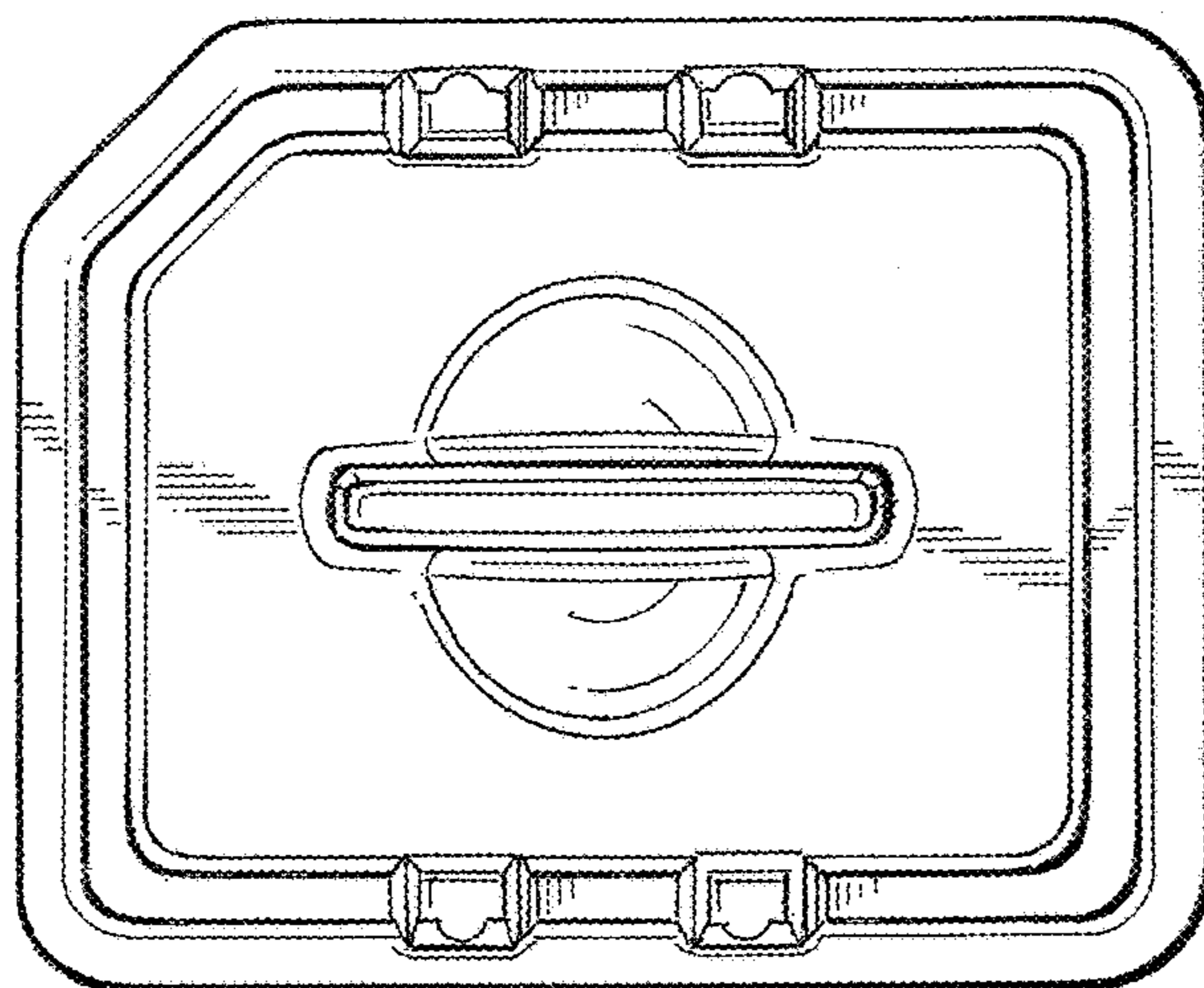


FIG. 5

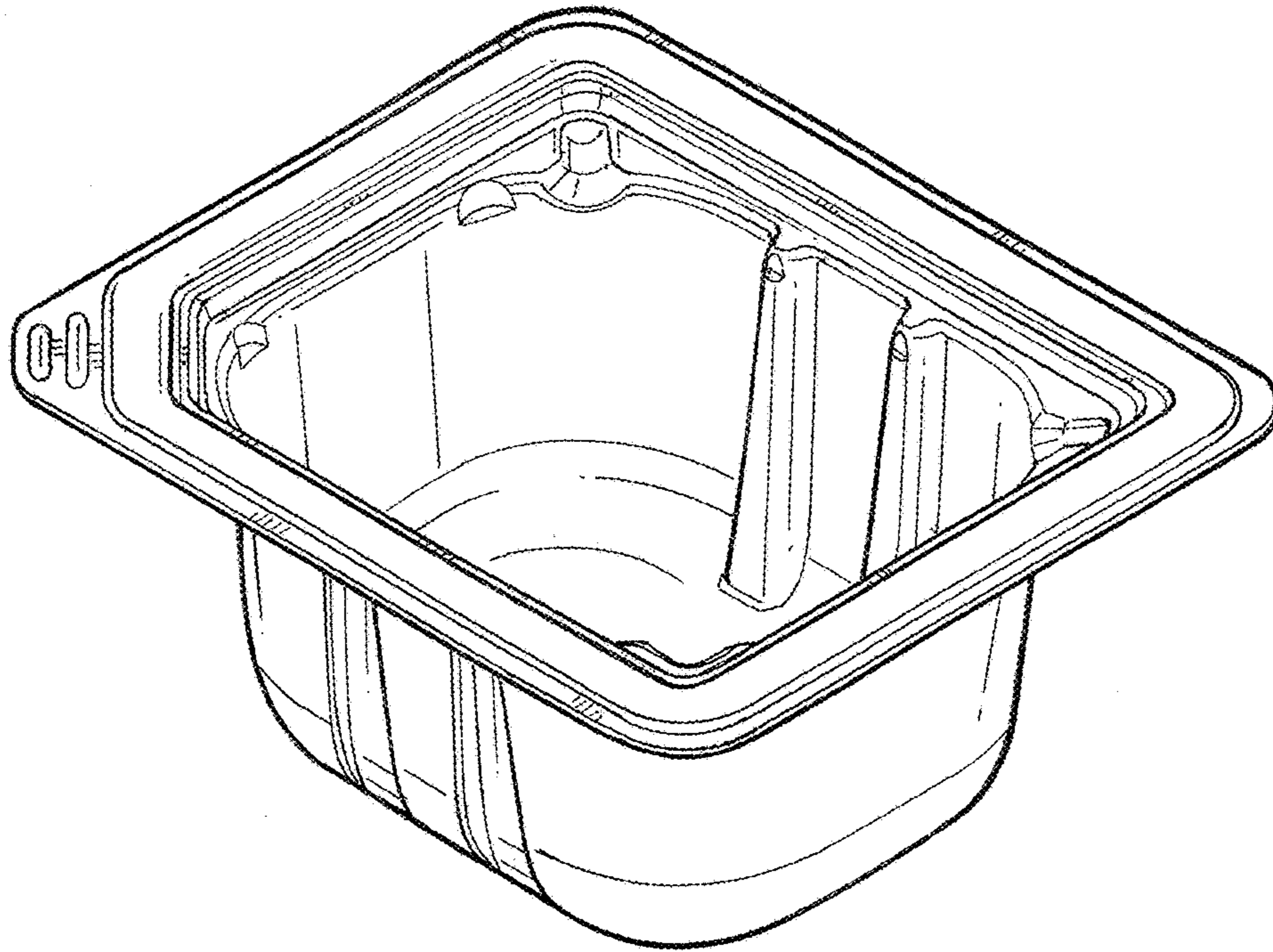


FIG. 6

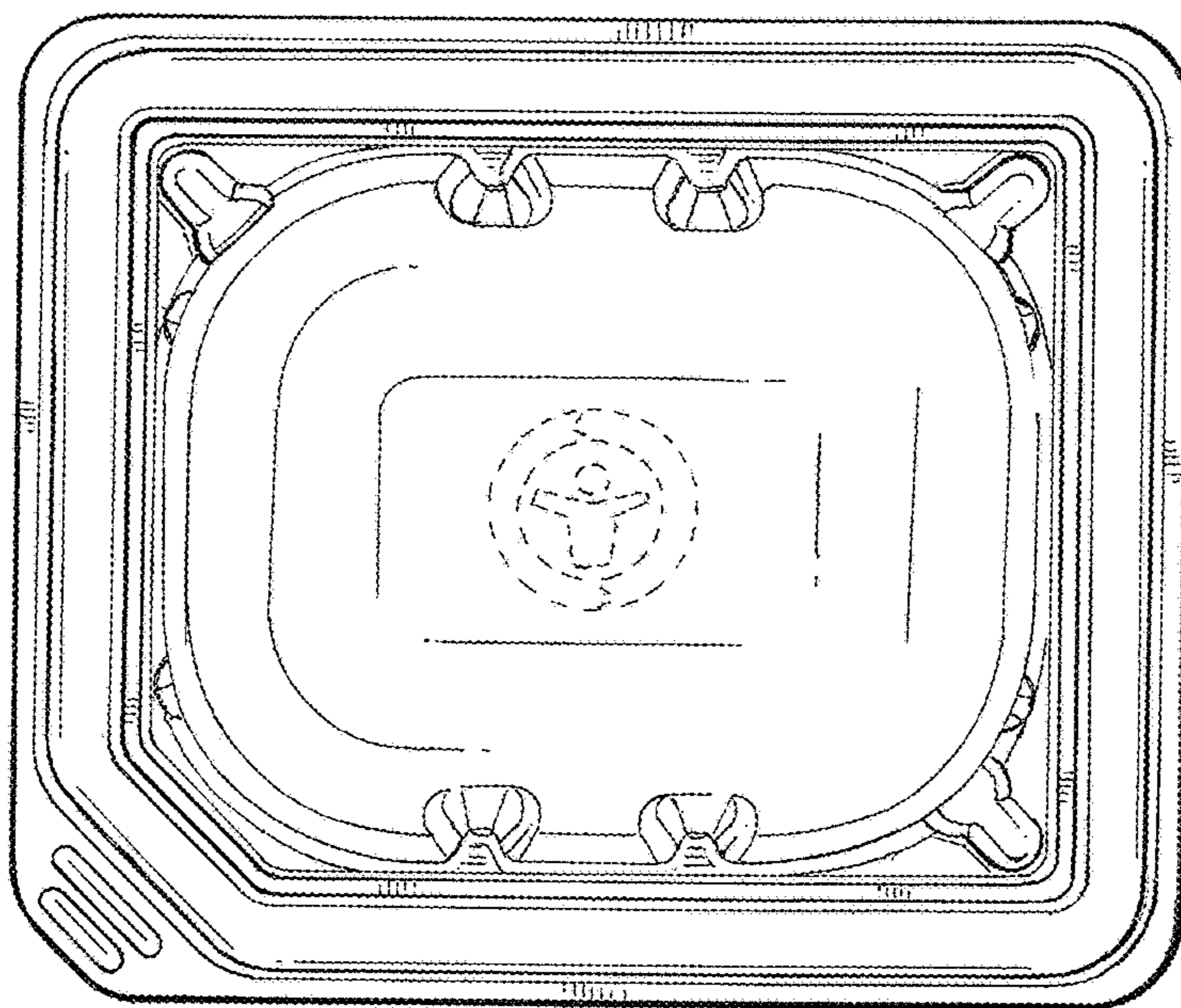


FIG. 7

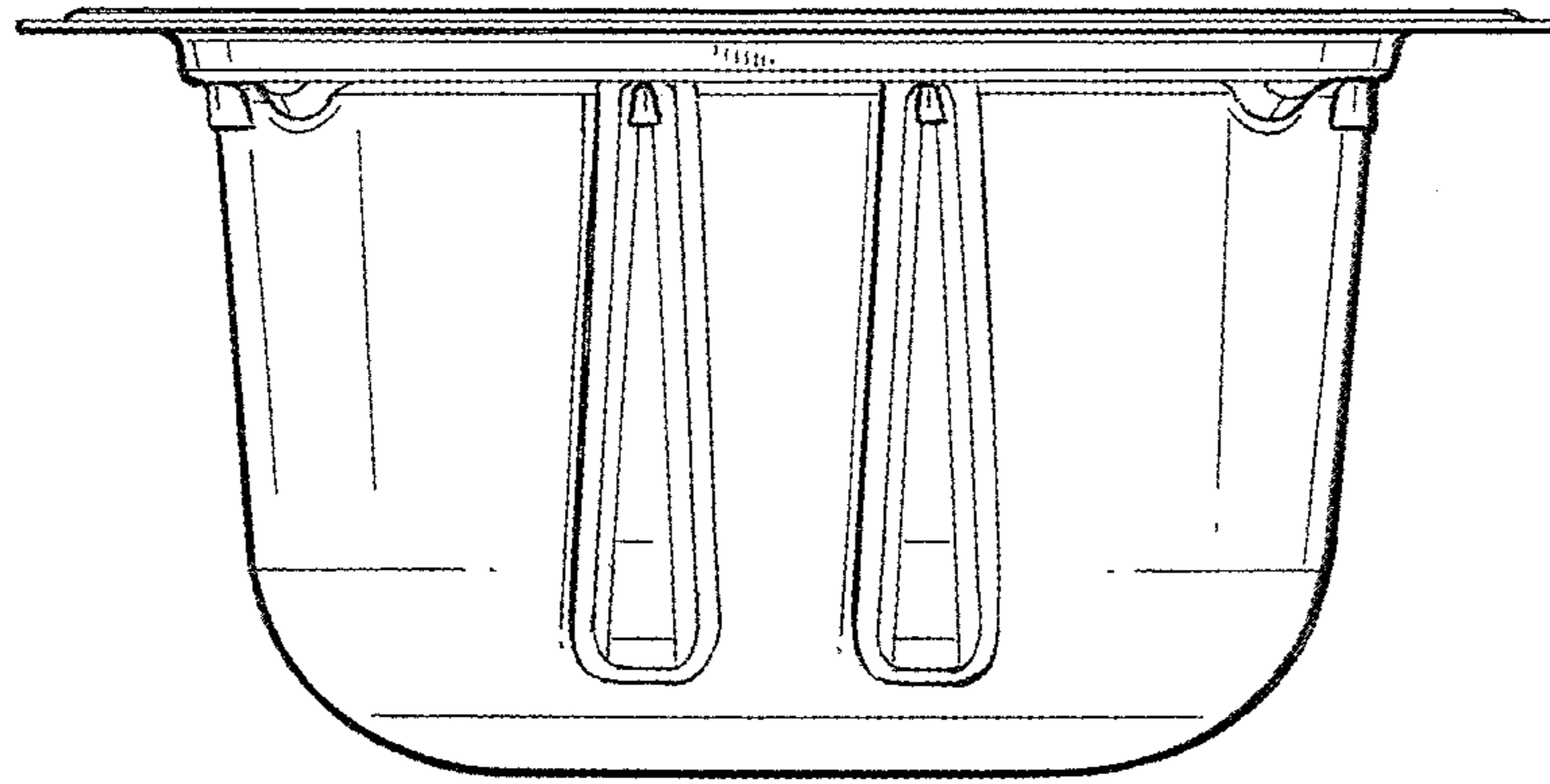


FIG. 8

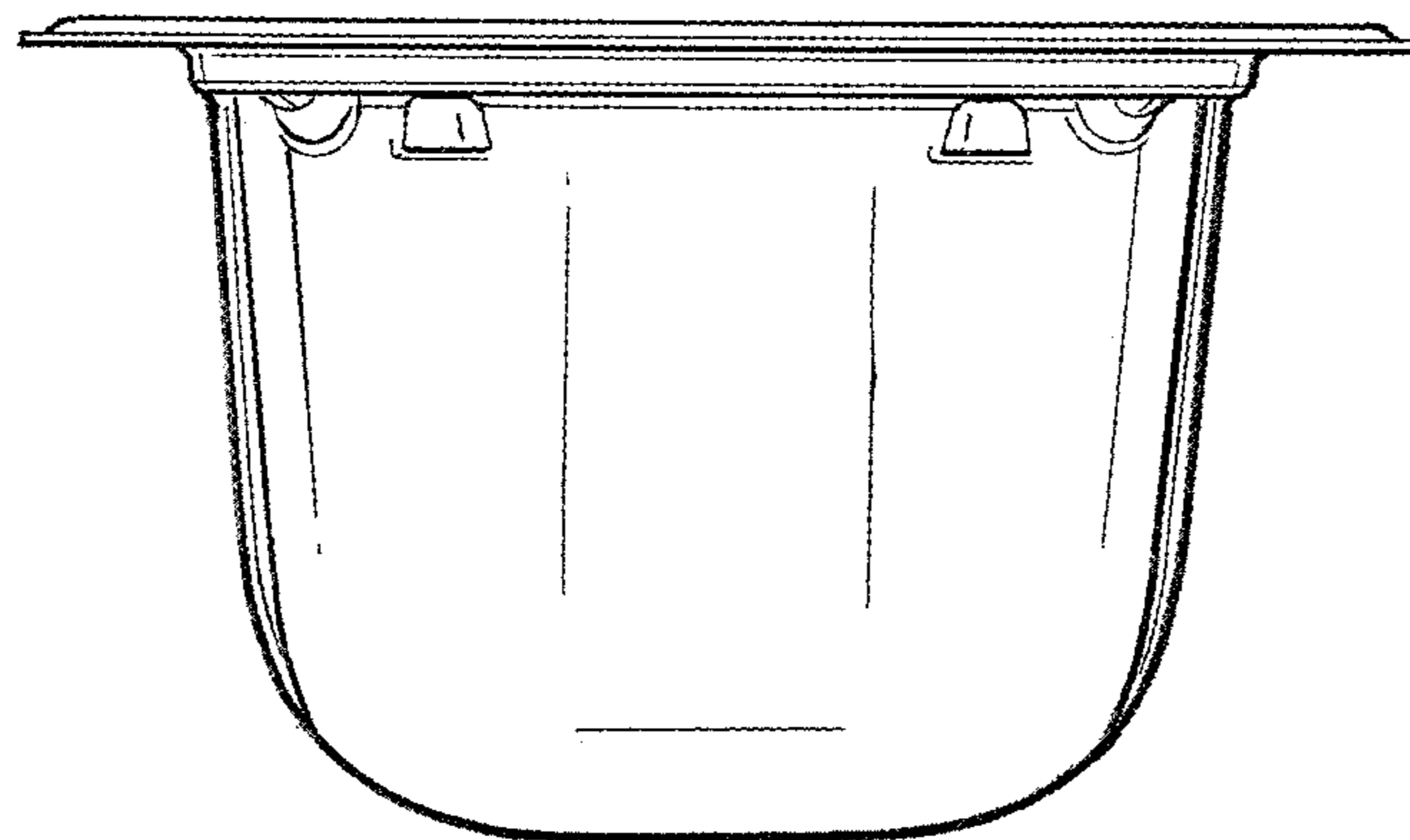


FIG. 9

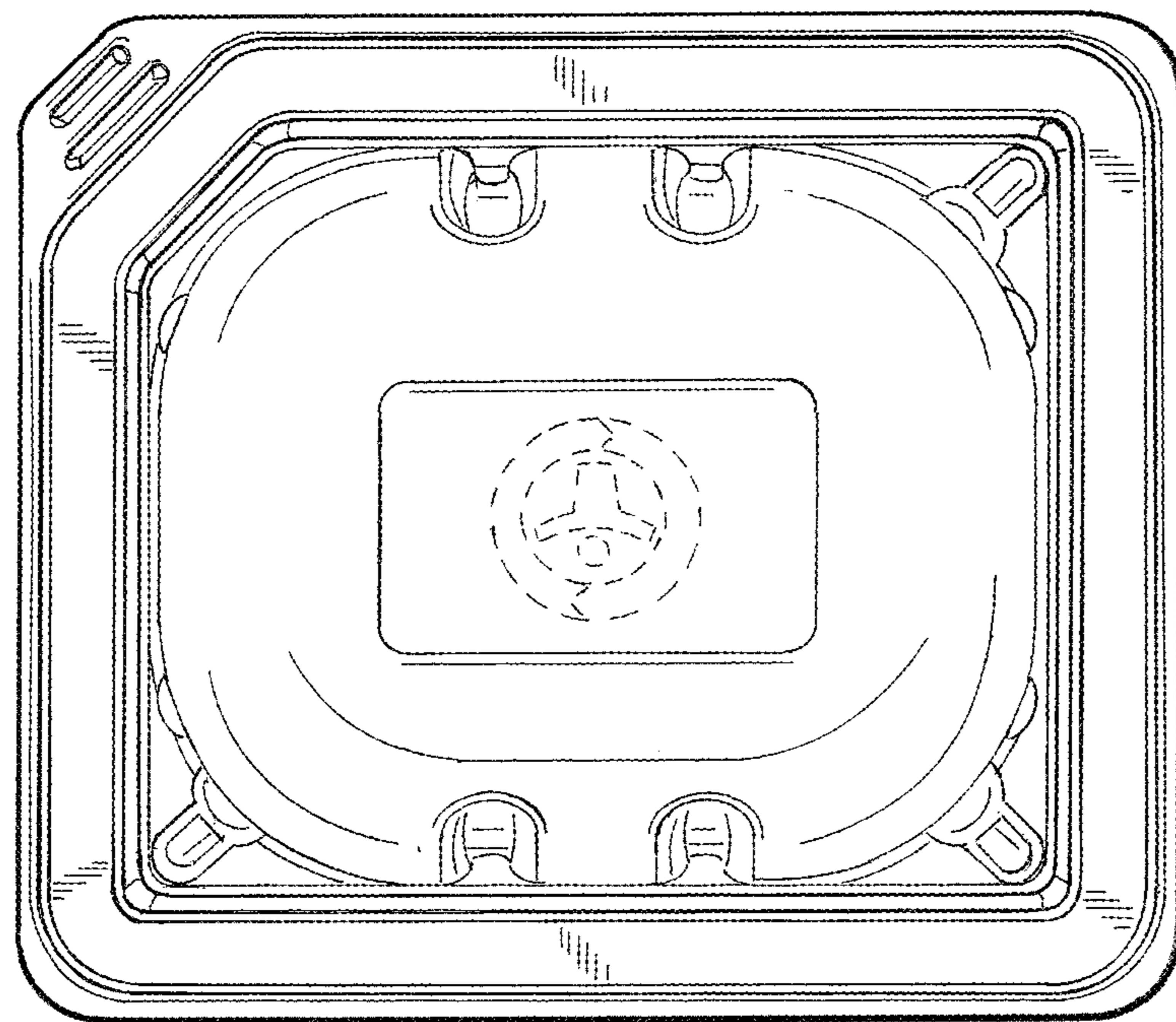


FIG. 10

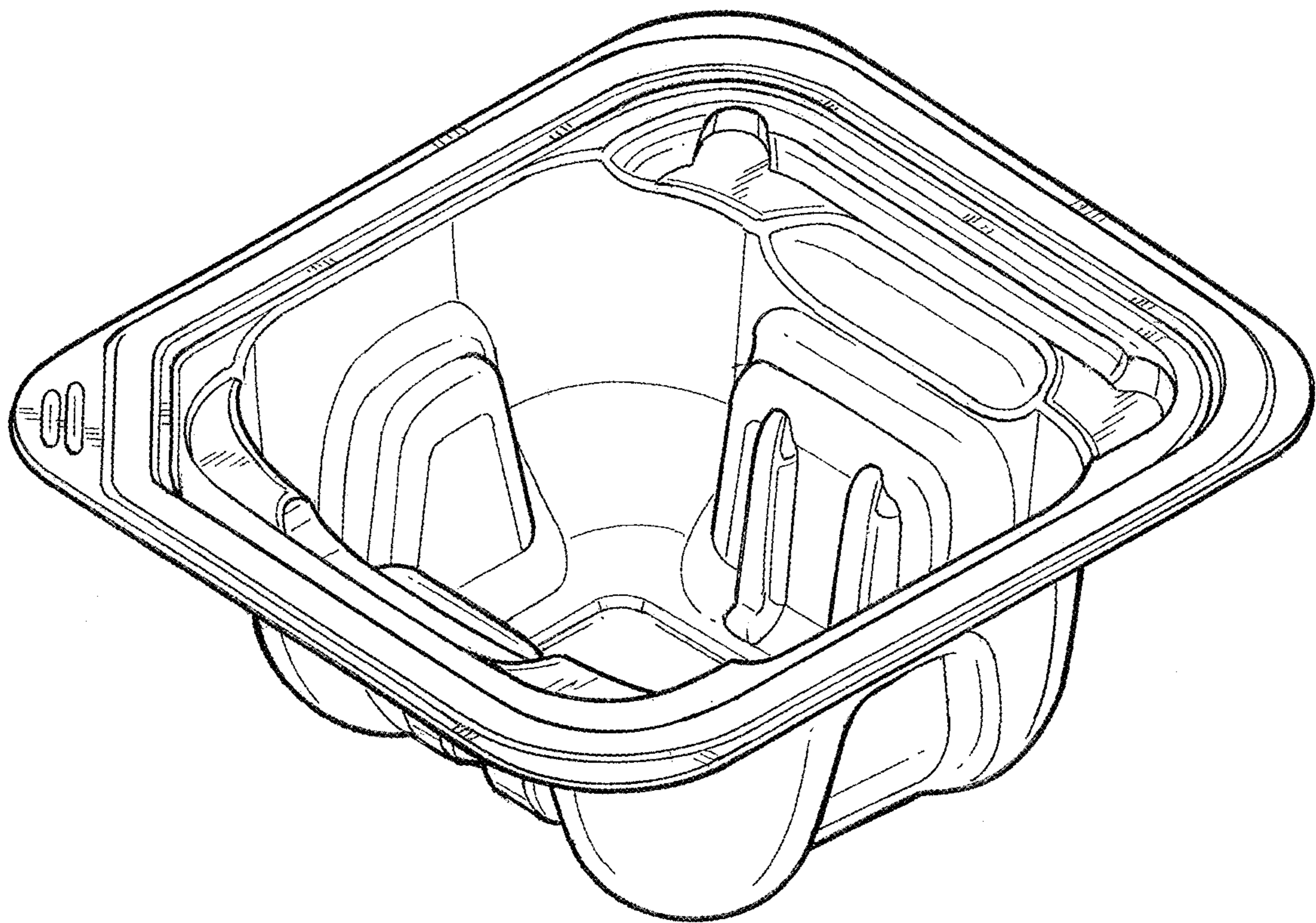


FIG. 11

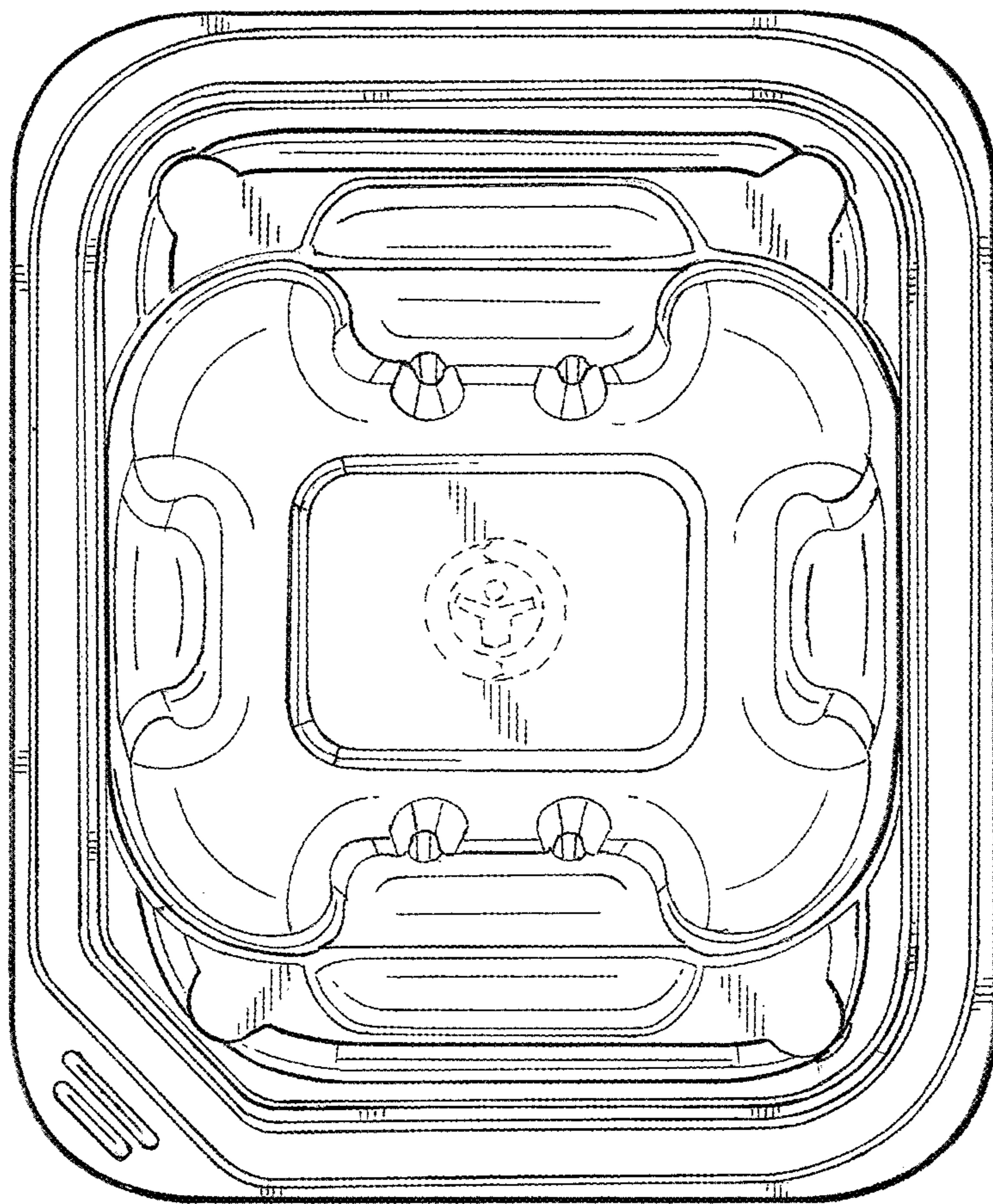


FIG. 12

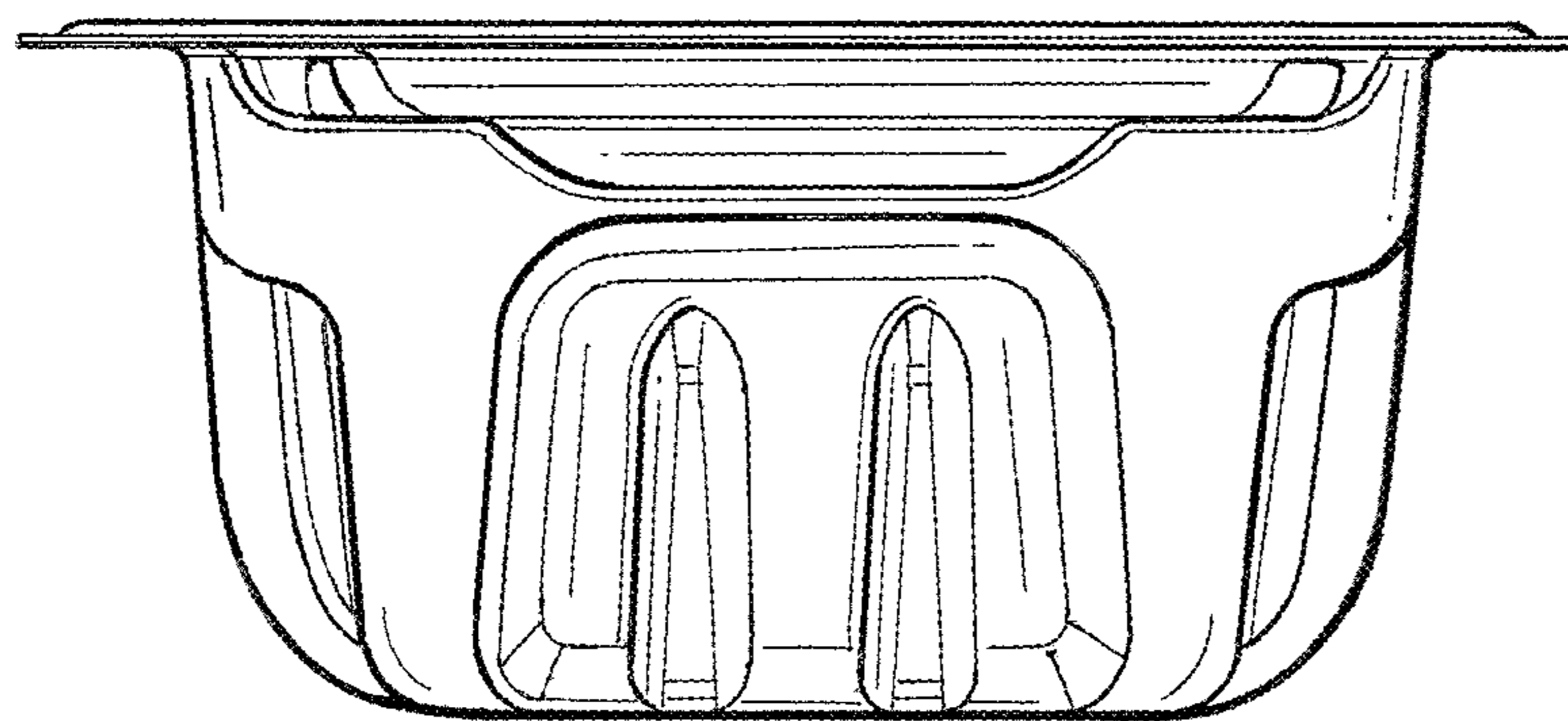


FIG. 13

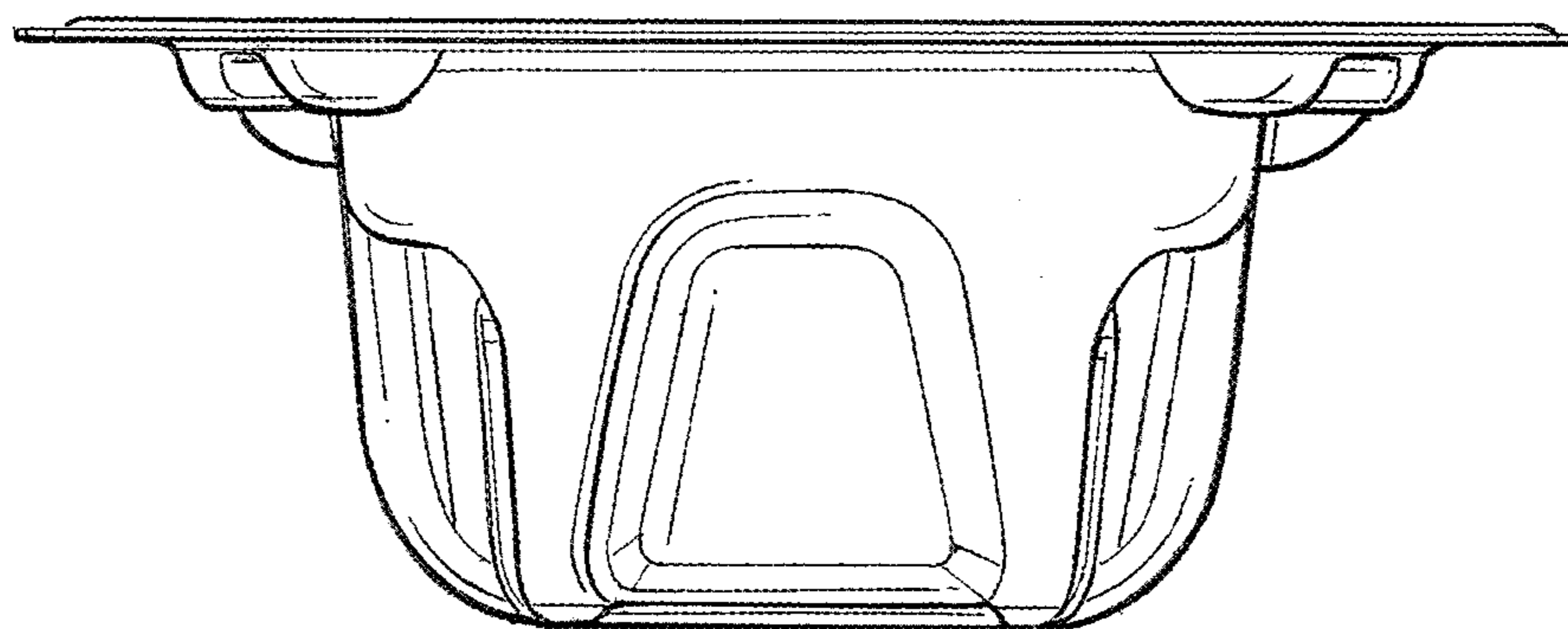


FIG. 14

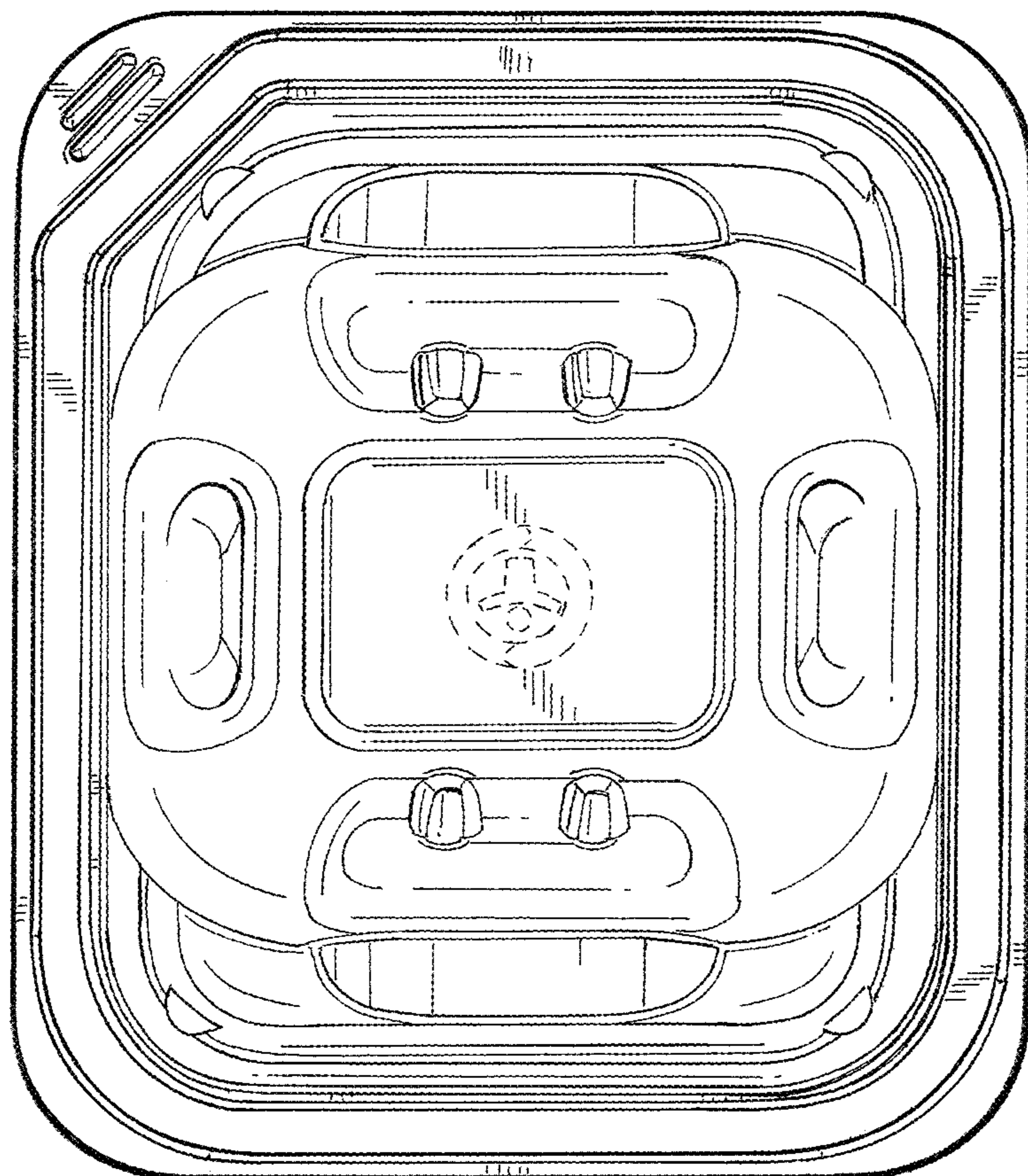


FIG. 15

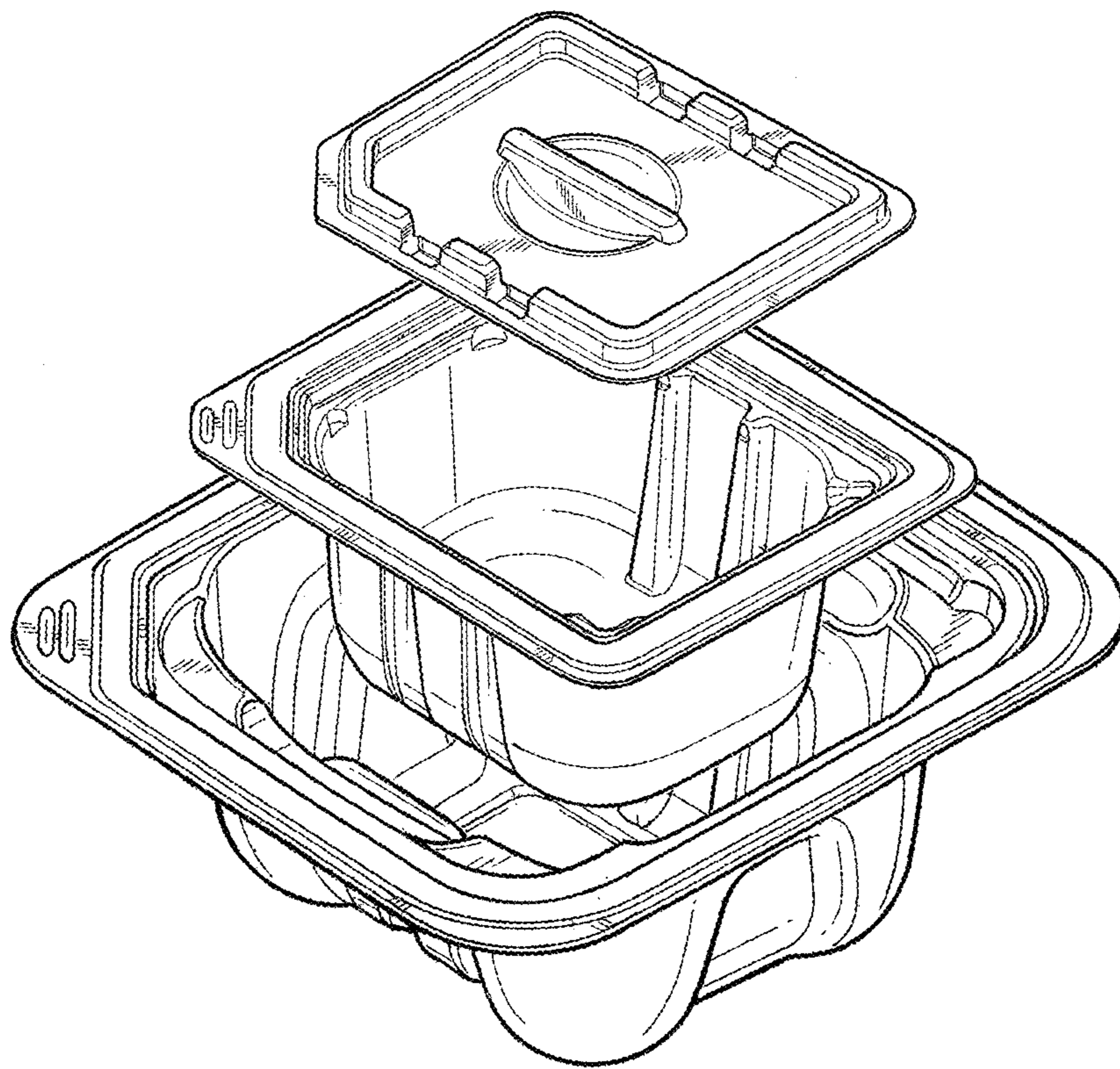


FIG. 16