



US00D793250S

(12) **United States Design Patent** (10) **Patent No.:** **US D793,250 S**  
**Wilkins et al.** (45) **Date of Patent:** **\*\* Aug. 1, 2017**

(54) **CONTAINER**  
(71) Applicant: **The Procter & Gamble Company**,  
Cincinnati, OH (US)  
(72) Inventors: **Guy Baskerville Wilkins**, Cincinnati,  
OH (US); **Brian Lee Floyd**, Cincinnati,  
OH (US)  
(73) Assignee: **The Procter & Gamble Company**,  
Cincinnati, OH (US)

D262,438 S 12/1981 Sears et al.  
D266,146 S 9/1982 Morris  
D279,650 S 7/1985 Aldrich, III et al.  
D279,654 S 7/1985 Grip et al.  
D280,289 S \* 8/1985 Aldrich, III ..... D9/542  
(Continued)

**FOREIGN PATENT DOCUMENTS**

CN 3540990 7/2006  
CN 301652575 8/2011  
(Continued)

(\*\*) Term: **15 Years**

**OTHER PUBLICATIONS**

(21) Appl. No.: **29/538,689**

U.S. Appl. No. 29/537,685, filed Aug. 28, 2015, Guy Baskerville  
Wilkins et al.

(22) Filed: **Sep. 7, 2015**

(Continued)

(51) **LOC (10) Cl.** ..... **09-01**

(52) **U.S. Cl.**  
USPC ..... **D9/726**

(58) **Field of Classification Search**  
USPC ..... D9/516, 522, 528, 529, 541-543, 549,  
D9/726; D28/4, 7; 215/381-385;  
220/660, 669, 675  
CPC ..... A45D 34/041; A61H 23/02; A61H  
2015/0064; A61H 2201/0107; A61H  
2201/105

*Primary Examiner* — Ian Simmons  
*Assistant Examiner* — Janice Lim  
(74) *Attorney, Agent, or Firm* — Kathleen Y. Carter;  
Carrie M. Schwartz

See application file for complete search history.

(57) **CLAIM**

The ornamental design for a container, as shown and  
described.

**DESCRIPTION**

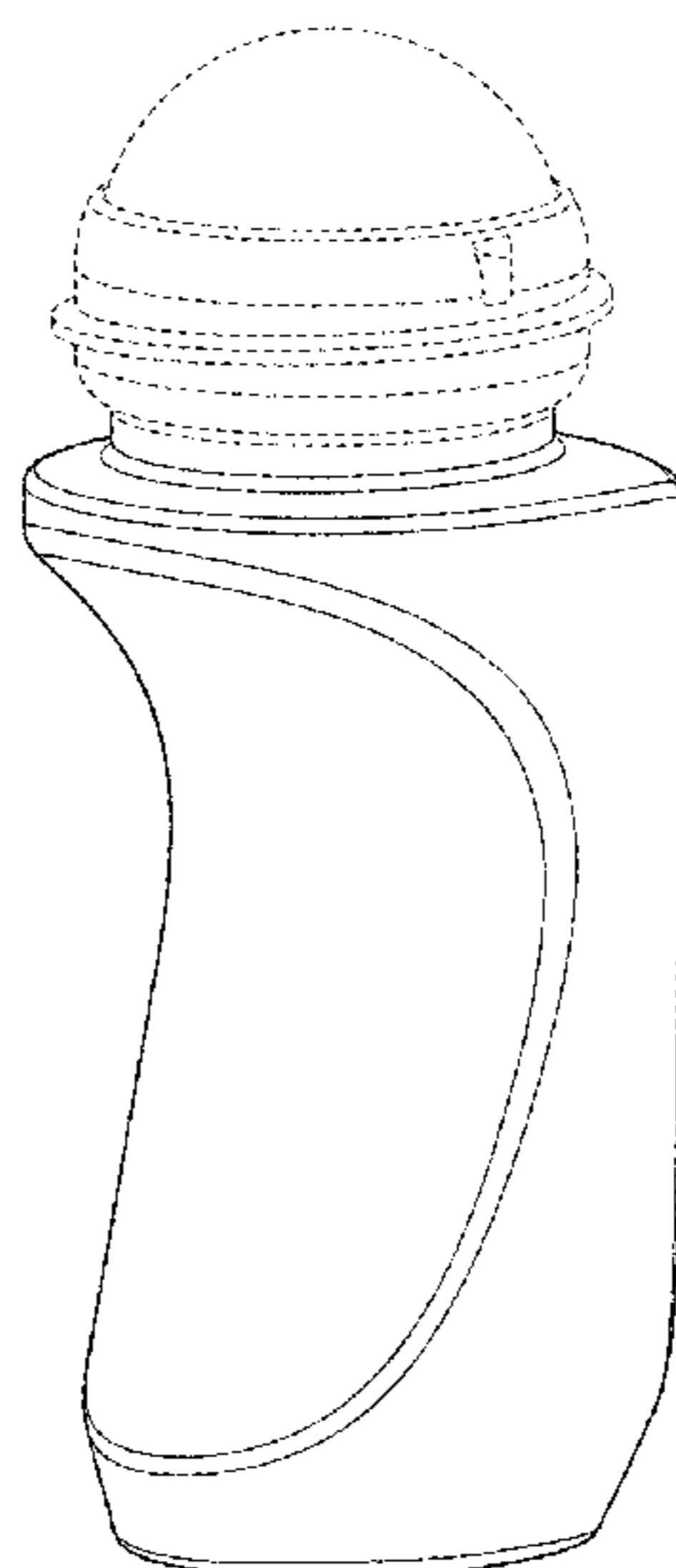
(56) **References Cited**

**U.S. PATENT DOCUMENTS**

D230,568 S \* 3/1974 Byrne ..... D24/115  
D243,585 S 3/1977 Angleman et al.  
D248,214 S 6/1978 DiNuccio  
D250,248 S 11/1978 Grip  
D251,181 S 2/1979 Angleman et al.  
D252,794 S 9/1979 Lucas  
D253,394 S 11/1979 Berghahn et al.  
D255,653 S 7/1980 Lipsz  
D255,990 S 7/1980 Lucas  
D256,095 S 7/1980 Sandonato  
D258,199 S 2/1981 Torongo, Jr.

FIG. 1 is an isometric view of a container, showing our new  
design;  
FIG. 2 is a front view thereof;  
FIG. 3 is a right view thereof;  
FIG. 4 is a back view thereof;  
FIG. 5 is a left view thereof;  
FIG. 6 is a top plan view thereof; and,  
FIG. 7 is a bottom plan view thereof.  
The broken line portions are included to show unclaimed  
subject matter only and form no part of the claimed design.

**1 Claim, 3 Drawing Sheets**



(56)

References Cited

U.S. PATENT DOCUMENTS

D287,335 S 12/1986 Anderson  
 D310,779 S \* 9/1990 Gloeckler ..... D9/529  
 D317,118 S 5/1991 Crawford  
 D330,860 S \* 11/1992 Gatrost ..... D9/542  
 D333,780 S 3/1993 Jones et al.  
 D337,939 S 8/1993 Smith, Jr.  
 D345,501 S 3/1994 Prince  
 D346,112 S 4/1994 Alcindor  
 D368,220 S 3/1996 Bicknell et al.  
 D368,427 S \* 4/1996 Bicknell ..... D9/529  
 D402,550 S 12/1998 Poisson  
 D426,770 S 6/2000 Crawford  
 D438,786 S \* 3/2001 Ghali ..... D9/685  
 D441,283 S 5/2001 Crawford  
 D442,080 S 5/2001 Crawford  
 D458,708 S \* 6/2002 Oates ..... D28/10  
 D458,835 S 6/2002 Delli-Venneri  
 D459,216 S 6/2002 Heijdenrijk  
 D462,449 S \* 9/2002 Morano ..... D24/197  
 D462,896 S \* 9/2002 Crawford ..... D9/693  
 D463,271 S 9/2002 Miranda  
 D474,685 S 5/2003 Finley  
 D474,963 S 5/2003 Gerstem et al.  
 D476,884 S 7/2003 Miranda  
 D480,633 S 10/2003 Miranda  
 D484,794 S 1/2004 Geardino et al.  
 D505,623 S 5/2005 Bernard  
 D508,414 S \* 8/2005 Lamb ..... D9/504  
 D512,639 S 12/2005 Weber  
 D513,593 S 1/2006 Weber  
 D514,943 S \* 2/2006 Weber ..... D9/529  
 D535,893 S 1/2007 Shurtleff et al.  
 D540,184 S 4/2007 Dibnah et al.  
 D554,529 S 11/2007 Green et al.  
 D561,608 S 2/2008 Hogben  
 D562,699 S 2/2008 Green et al.  
 D577,583 S 9/2008 Porter et al.  
 D577,584 S 9/2008 Porter et al.  
 D591,170 S 4/2009 Lux  
 D611,824 S \* 3/2010 Akkermans ..... D9/529  
 D615,419 S 5/2010 Owen  
 D617,943 S 6/2010 Bouix et al.  
 D618,561 S 6/2010 Lee  
 D620,366 S \* 7/2010 Bruscha ..... D9/444  
 D624,239 S 9/2010 Breidenbach et al.  
 D632,186 S 2/2011 Fischer  
 D644,939 S 9/2011 Teller  
 D645,763 S 9/2011 Lee  
 8,011,521 B2 \* 9/2011 Clark ..... B65D 1/0223  
 215/11.1  
 D654,376 S 2/2012 Song  
 D654,811 S 2/2012 Song  
 D659,549 S 5/2012 Fera et al.  
 D678,080 S \* 3/2013 van Haasteren ..... D9/725  
 D686,510 S \* 7/2013 Zerba ..... D9/726  
 D698,248 S 1/2014 Lambrecht et al.  
 2005/0258201 A1 \* 11/2005 Willows ..... B65D 25/22  
 224/148.4  
 2006/0213858 A1 \* 9/2006 Kraus ..... A61J 9/00  
 215/11.1

FOREIGN PATENT DOCUMENTS

CN 301652576 8/2011  
 CN 301677557 9/2011  
 CN 301677558 9/2011  
 CN 301677559 9/2011  
 DE M9709915-0001 5/1998  
 DE 49908116-0001 12/1999  
 DE 49910235-0001 2/2000  
 DE 40303209-0001 10/2003  
 DE 40303209-0002 10/2003

DE 40303209-0003 10/2003  
 DE 40303209-0004 10/2003  
 DE 40403093-0001 10/2004  
 DE 40403093-0002 10/2004  
 DE 40407237-0001 7/2005  
 DE 40501804-0001 9/2005  
 EM 000147145-0001 6/2004  
 EM 000324629-0015 6/2005  
 EM 000462817-0003 2/2006  
 EM 001118368-0001 5/2009  
 EM 001118368-0002 5/2009  
 EM 001627928-0001 11/2009  
 EM 001639089-0001 11/2009  
 ES I0142682 8/1998  
 ES I0143967 2/1999  
 ES I0146622 2/2000  
 ES I0148332 9/2000  
 GB 2018056 5/1992  
 GB 2028590 12/1993  
 GB 2036097 8/1994  
 GB 2036770 12/1994  
 GB 2036771 12/1994  
 GB 2070873 10/1998  
 GB 2076495 1/1999  
 GB 2086980 12/1999  
 GB 2082893 2/2000  
 GB 2092357 5/2000  
 GB 2092702 5/2000  
 GB 2092377 7/2000  
 GB 3014465 6/2004  
 JP D1163331 1/2003  
 JP D1223594 11/2004  
 JP D1227512 1/2005  
 JP D1271510 5/2006  
 JP D1416175 6/2011  
 KR 300271903.0000 3/2001  
 KR 300284109.0000 11/2001  
 KR 300432844.0000 12/2006  
 KR 300534072.0000 7/2009  
 KR 300542292.0000 10/2009  
 KR 300542295.0000 10/2009  
 KR 300552178.0000 2/2010  
 KR 300556923.0000 3/2010  
 KR 300580173.0000 11/2010  
 KR 300580926.0000 12/2010  
 KR 300580929.0000 12/2010  
 KR 300580930.0000 12/2010  
 KR 300607304.0000 7/2011  
 KR 300631509.0000 3/2012  
 KR 300631509.0001 3/2012  
 KR 300639808.0000 4/2012  
 KR 300658508.0000 9/2012  
 KR 300665933.0000 11/2012  
 RU 00048287 1/2001  
 RU 00049917 2/2002  
 RU 00051702 1/2003  
 RU 00057852 10/2005  
 RU 00058290 12/2005  
 RU 00059239 6/2006  
 RU 00083094 9/2012  
 WO D007583-001 12/1986  
 WO D030843-001 12/1994  
 WO D030844-001 12/1994  
 WO D044035-001 7/1998  
 WO D049631-001 1/2000  
 WO D050557-001 4/2000  
 WO D052124-001 8/2000  
 WO D052124-002 8/2000

OTHER PUBLICATIONS

U.S. Appl. No. 29/537,686, filed Aug. 28, 2015, Guy Baskerville  
 Wilkins et al.

\* cited by examiner

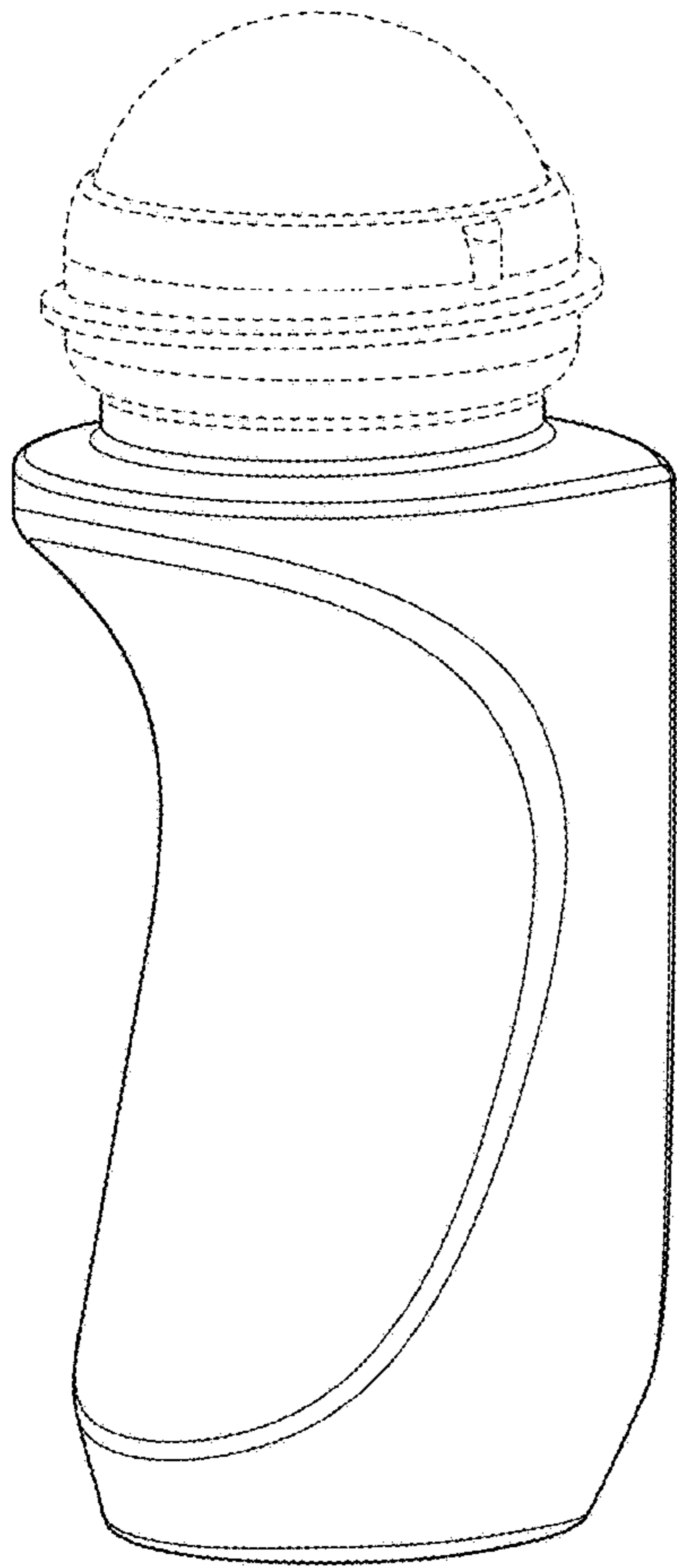


Fig. 1

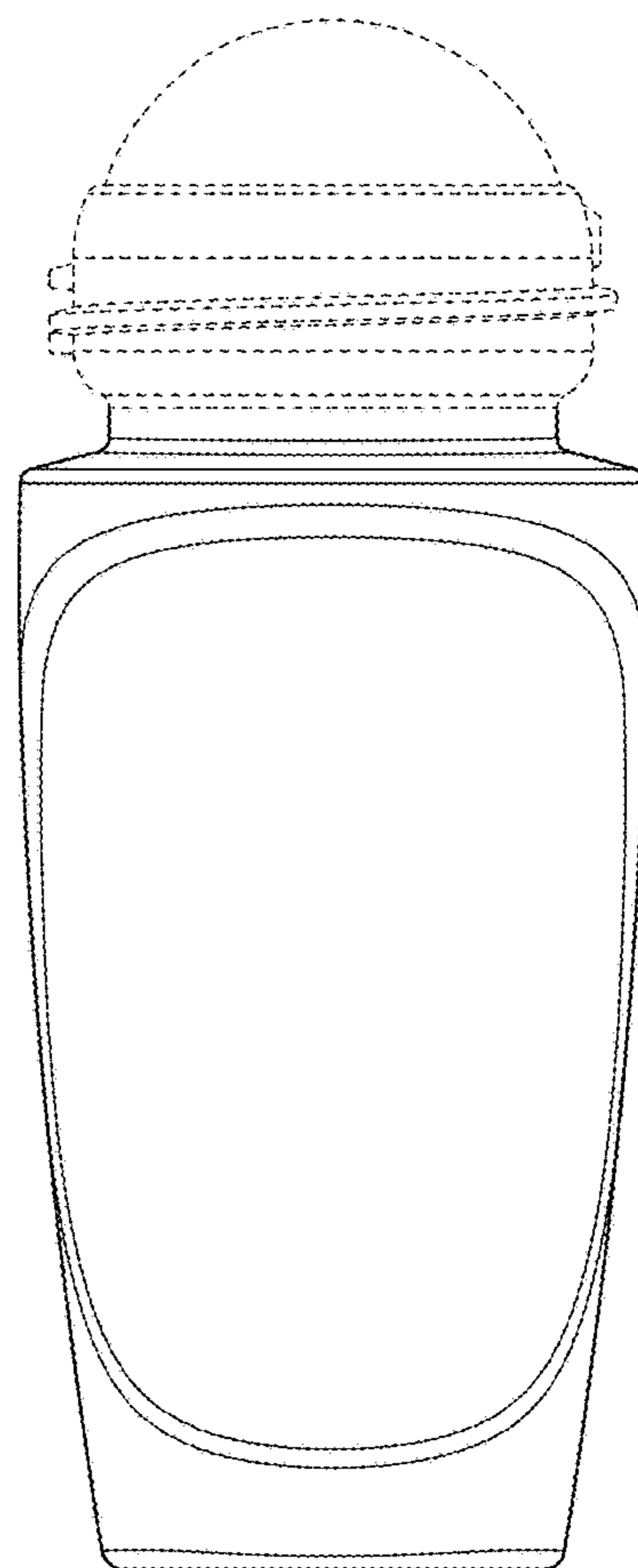


Fig. 2

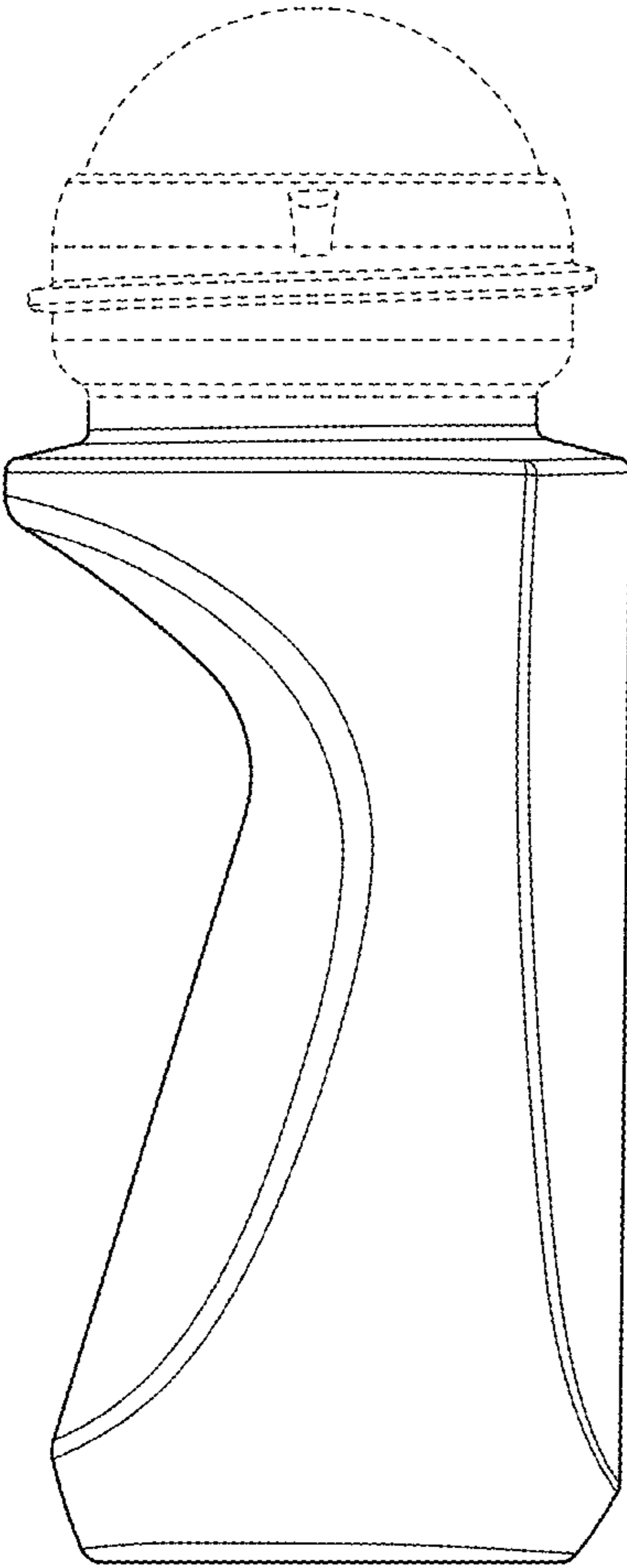


Fig. 3

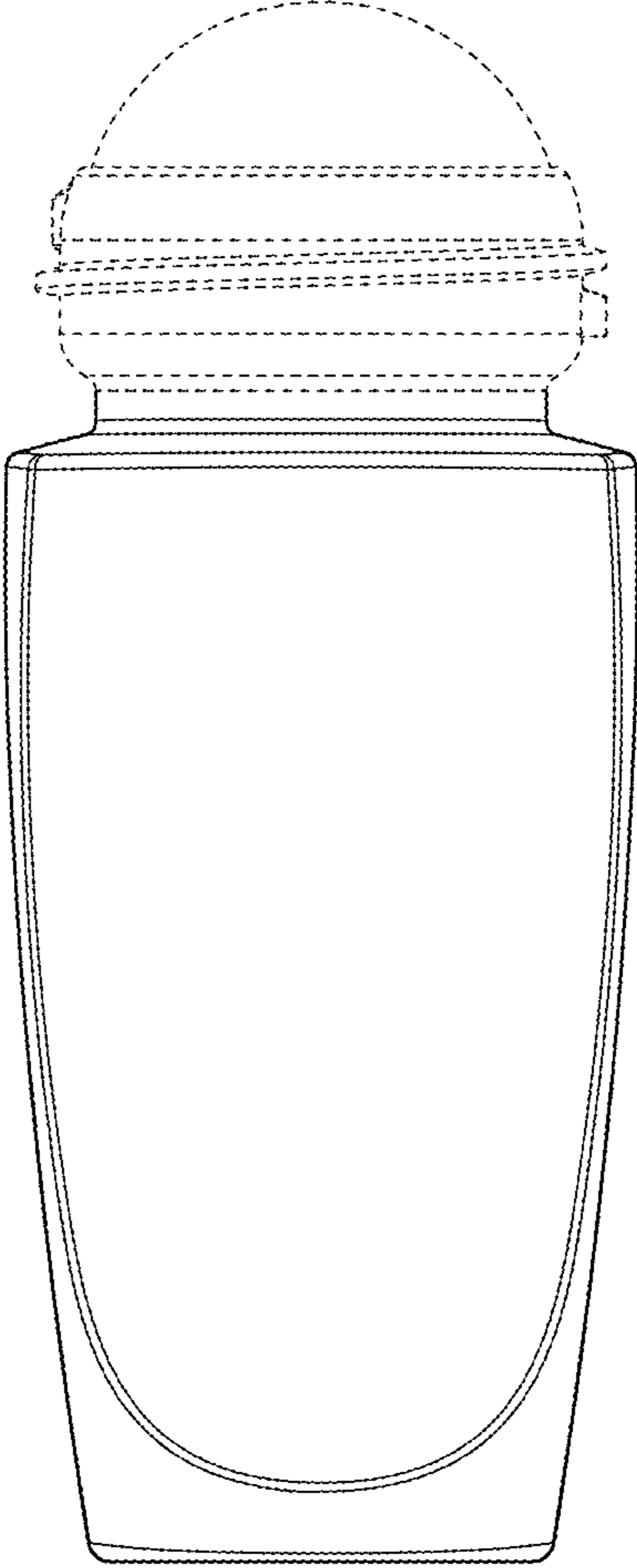


Fig. 4

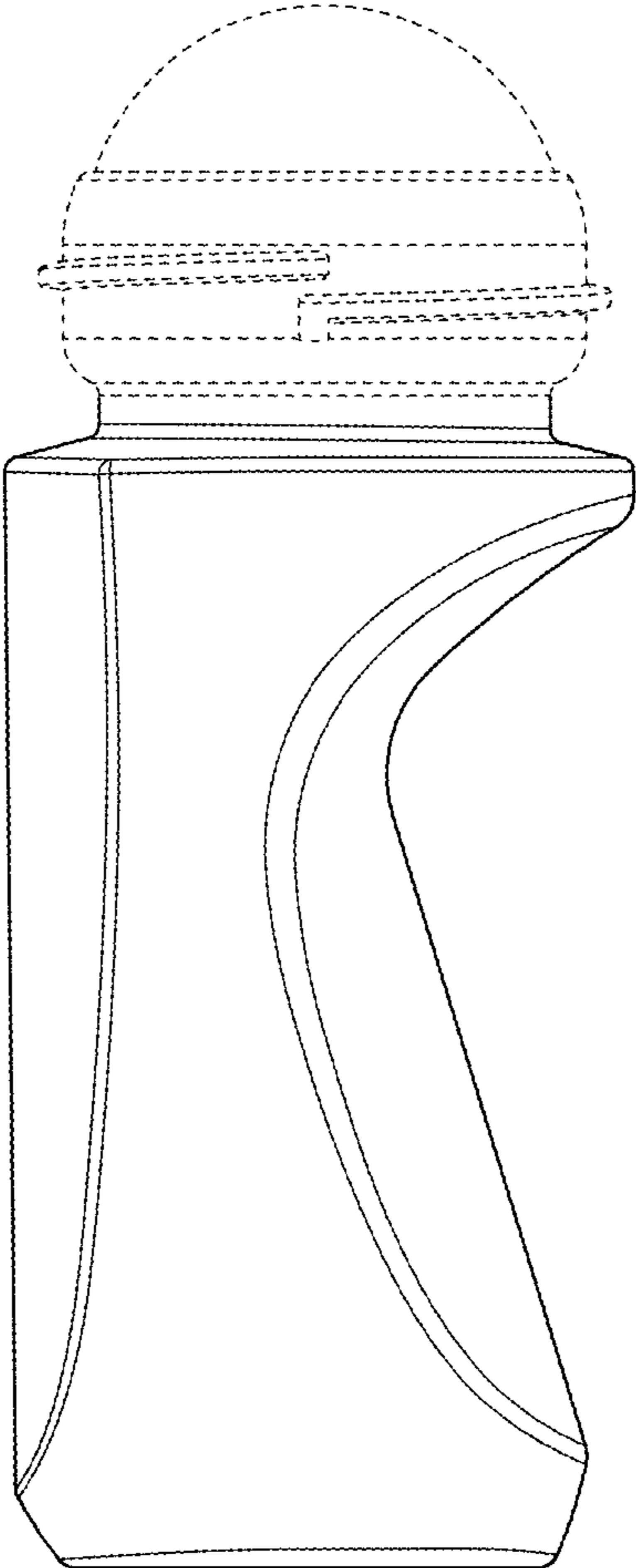


Fig. 5

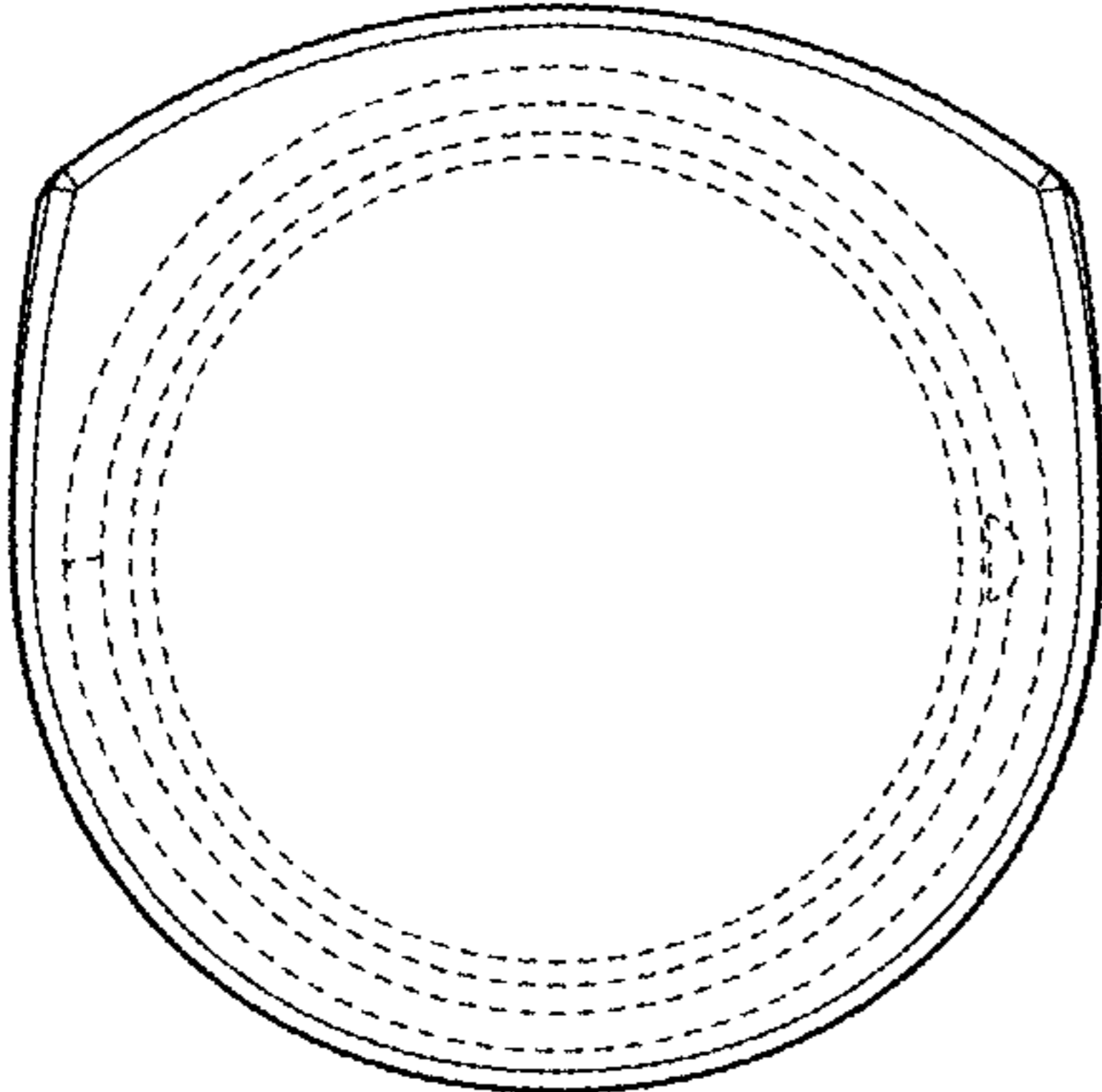


Fig. 6

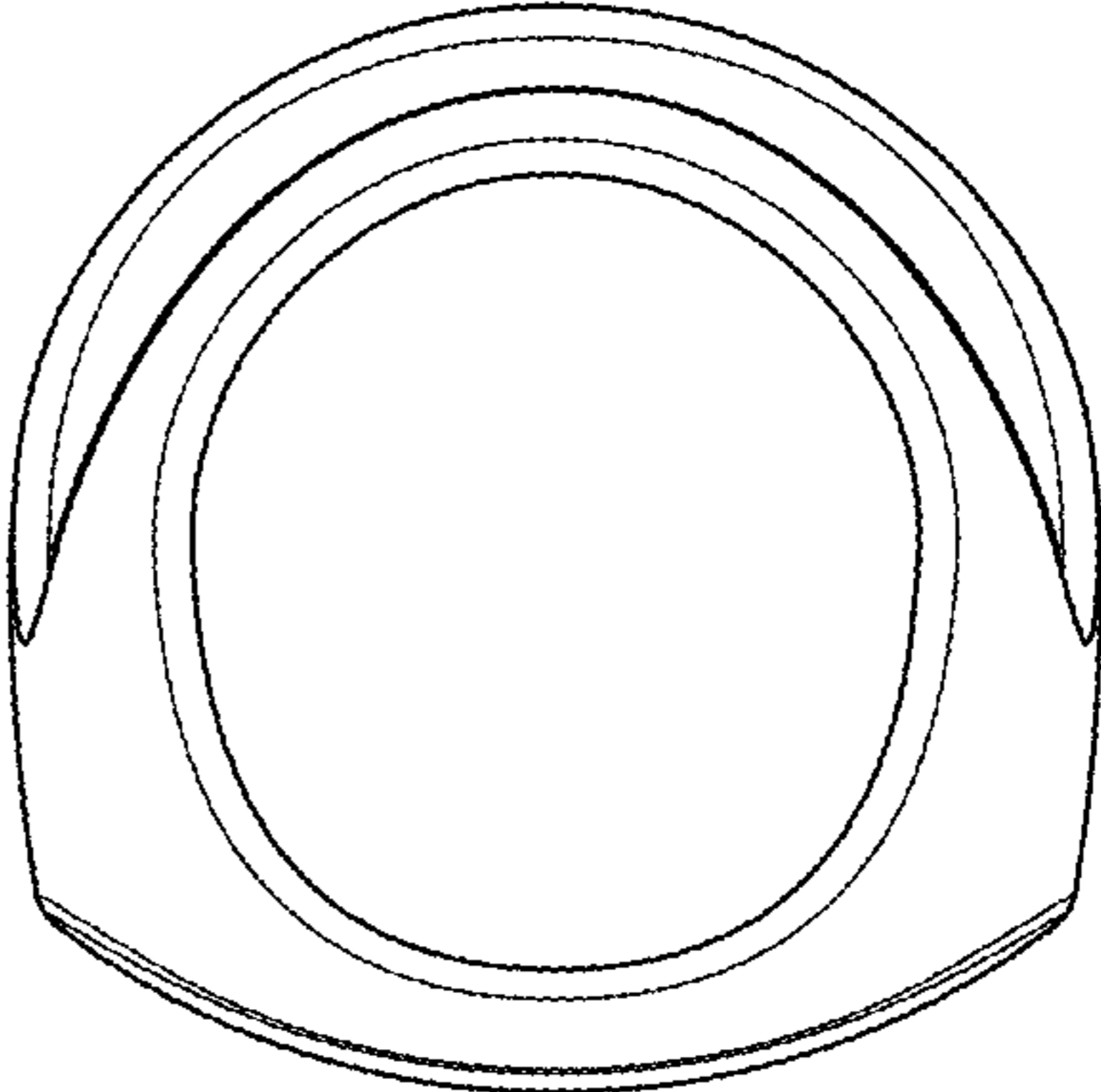


Fig. 7