

US00D793242S

(12) **United States Design Patent** (10) **Patent No.:** **US D793,242 S**  
**McGreevy** (45) **Date of Patent:** **\*\* Aug. 1, 2017**

(54) **BOTTLE**  
(71) Applicant: **Method Products, PBC**, San Francisco, CA (US)  
(72) Inventor: **Sean McGreevy**, Oakland, CA (US)  
(73) Assignee: **Method Products, PBC**, San Francisco, CA (US)  
(\*\*) Term: **15 Years**  
(21) Appl. No.: **29/560,944**  
(22) Filed: **Apr. 12, 2016**  
(51) **LOC (10) Cl.** ..... **09-01**  
(52) **U.S. Cl.**  
USPC ..... **D9/558**  
(58) **Field of Classification Search**  
USPC ..... D9/563, 570, 530, 537, 539, 545, 550, D9/551, 553, 554, 555, 556, 558, 559, D9/564, 572, 573, 574, 575; D7/507, D7/509, 511, 523, 534, 538, 540, 542, D7/545, 554, 302, 317, 321; D3/202; D23/211.1, 211.2, 255, 205, 260  
CPC ..... B65D 47/06; B65D 83/40  
See application file for complete search history.

D742,239 S \* 11/2015 Blanchard ..... D9/543  
D752,984 S \* 4/2016 Handy ..... D9/520  
D757,557 S \* 5/2016 Melms, Jr. .... D9/530  
D759,492 S \* 6/2016 Dominick ..... D9/542  
D768,498 S \* 10/2016 Hughes ..... D9/563  
D773,312 S \* 12/2016 Flood ..... D9/562

**OTHER PUBLICATIONS**

Method Wood Floor Cleaner, Almond—25 oz, posted on amazon.com, earliest product review posted Aug. 12, 2013, no production date given, [online], [site visited Dec. 29, 2016], Available from Internet, <URL: <https://www.amazon.com/Method-Wood-Floor-Cleaner-Almond/dp/B0013FOMB4?th=1>>.\*  
Keri, “Friday Five: save time and money,” Time is Mommy, Jun. 21, 2013, <<http://timeismoneymommy.com/friday-five-save-time-and-money-4/>>.

\* cited by examiner

*Primary Examiner* — Melanie H Tung  
*Assistant Examiner* — Fitzgerald Butac  
(74) *Attorney, Agent, or Firm* — Sterne, Kessler, Goldstein & Fox P.L.L.C.

(57) **CLAIM**

The ornamental design for a bottle, as shown and described.

**DESCRIPTION**

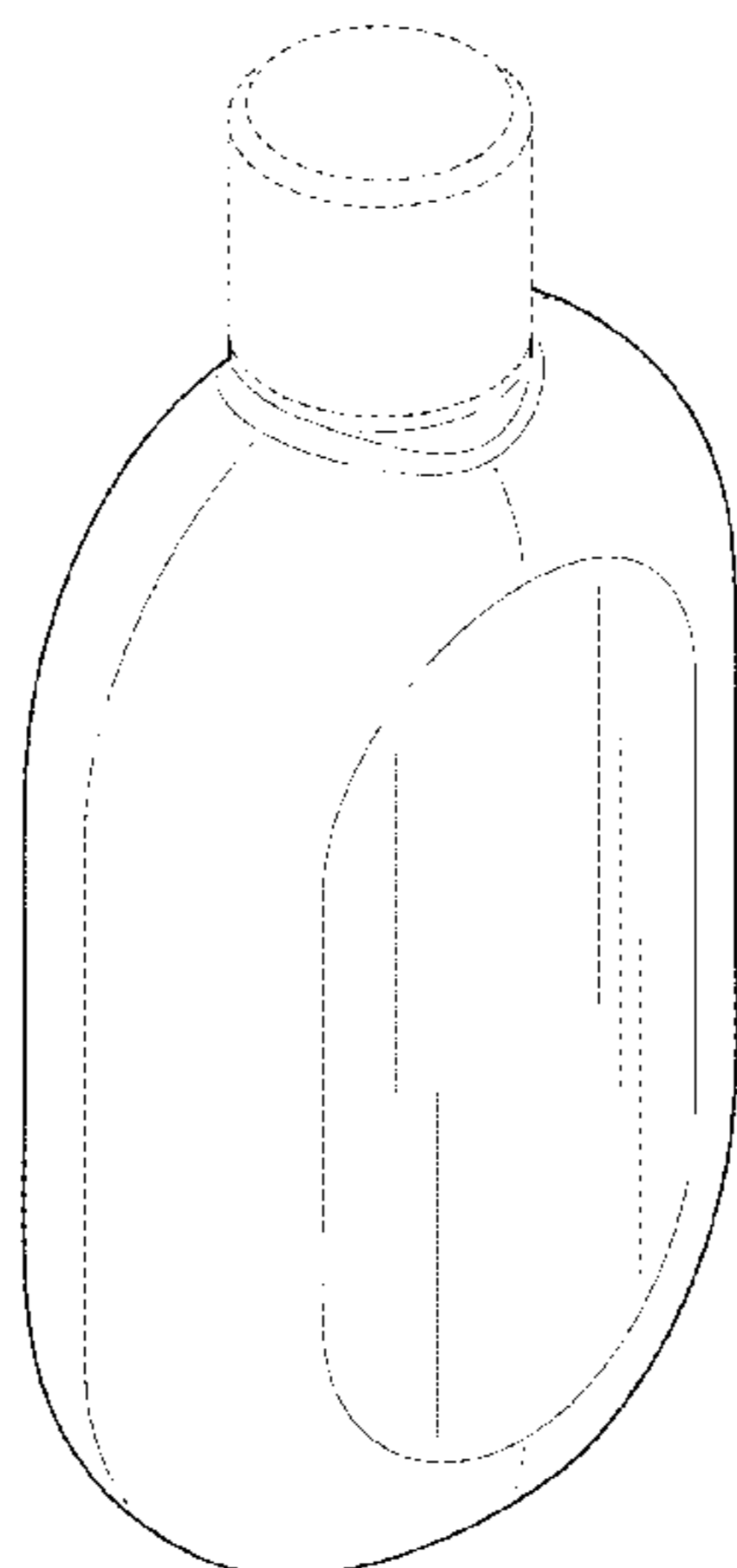
FIG. 1 is a top perspective view of a bottle showing the claimed design;  
FIG. 2 is a bottom perspective view thereof;  
FIG. 3 is a top view thereof;  
FIG. 4 is a bottom view thereof;  
FIG. 5 is a front view thereof;  
FIG. 6 is a rear view thereof;  
FIG. 7 is a left side view thereof; and,  
FIG. 8 is a right side thereof.  
The broken lines in the figures show portions of the bottle that form no part of the claimed design.

**1 Claim, 4 Drawing Sheets**

(56) **References Cited**

**U.S. PATENT DOCUMENTS**

D348,005 S \* 6/1994 Lathrop ..... D9/542  
D356,263 S \* 3/1995 Matsumoto ..... D9/552  
D356,469 S \* 3/1995 Musilli ..... D3/202  
D375,051 S \* 10/1996 Lathrop ..... D9/545  
D383,059 S \* 9/1997 Kelly ..... D9/521  
D499,208 S \* 11/2004 Angeletta ..... D28/7  
D505,748 S \* 5/2005 Angeletta ..... D28/7  
D565,422 S \* 4/2008 Cowan-Hughes ..... D9/563  
D652,735 S \* 1/2012 Chen ..... D9/542  
D660,170 S \* 5/2012 Hartford ..... D9/544  
D693,689 S \* 11/2013 Kim ..... D9/516  
D720,923 S \* 1/2015 Hadden ..... D3/202  
D724,896 S \* 3/2015 Williams ..... D7/511



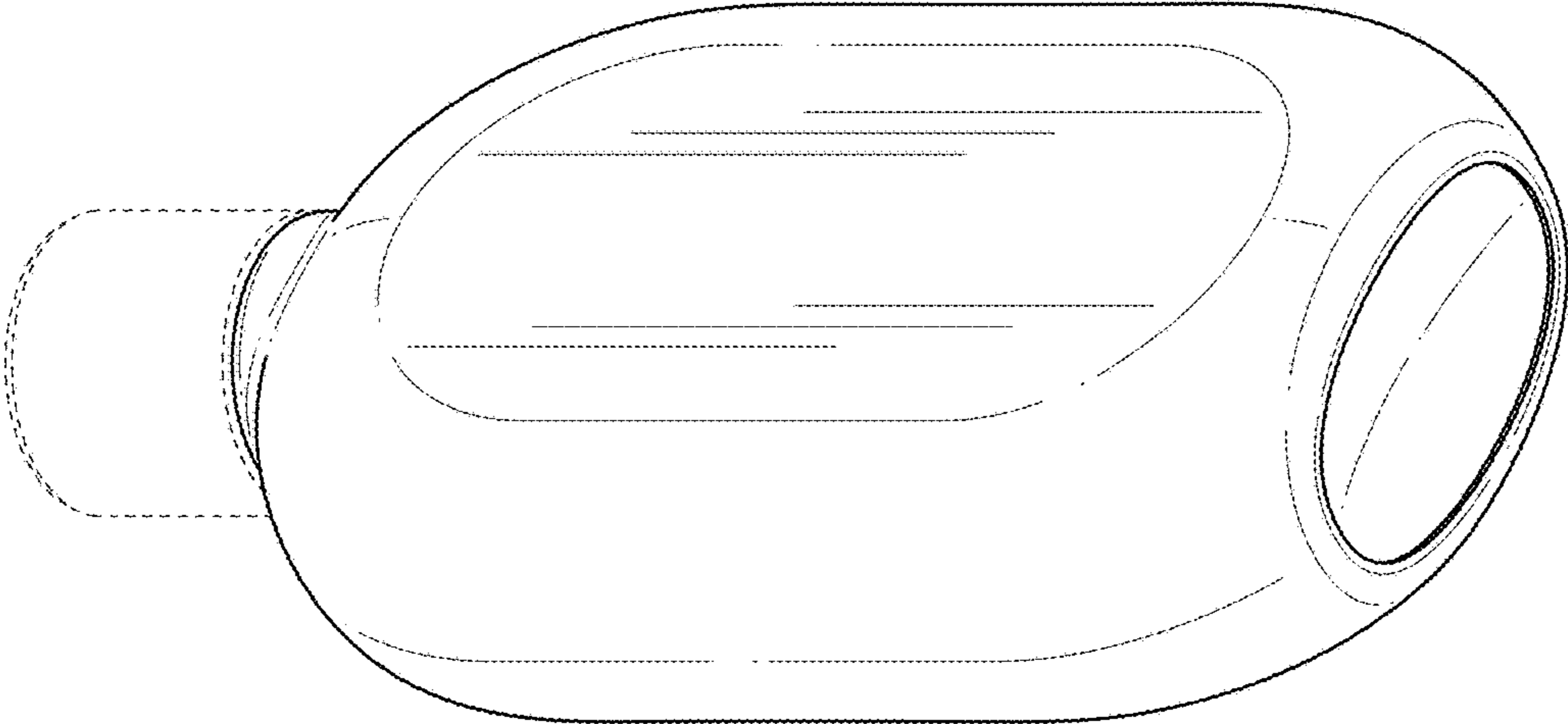


FIG. 1

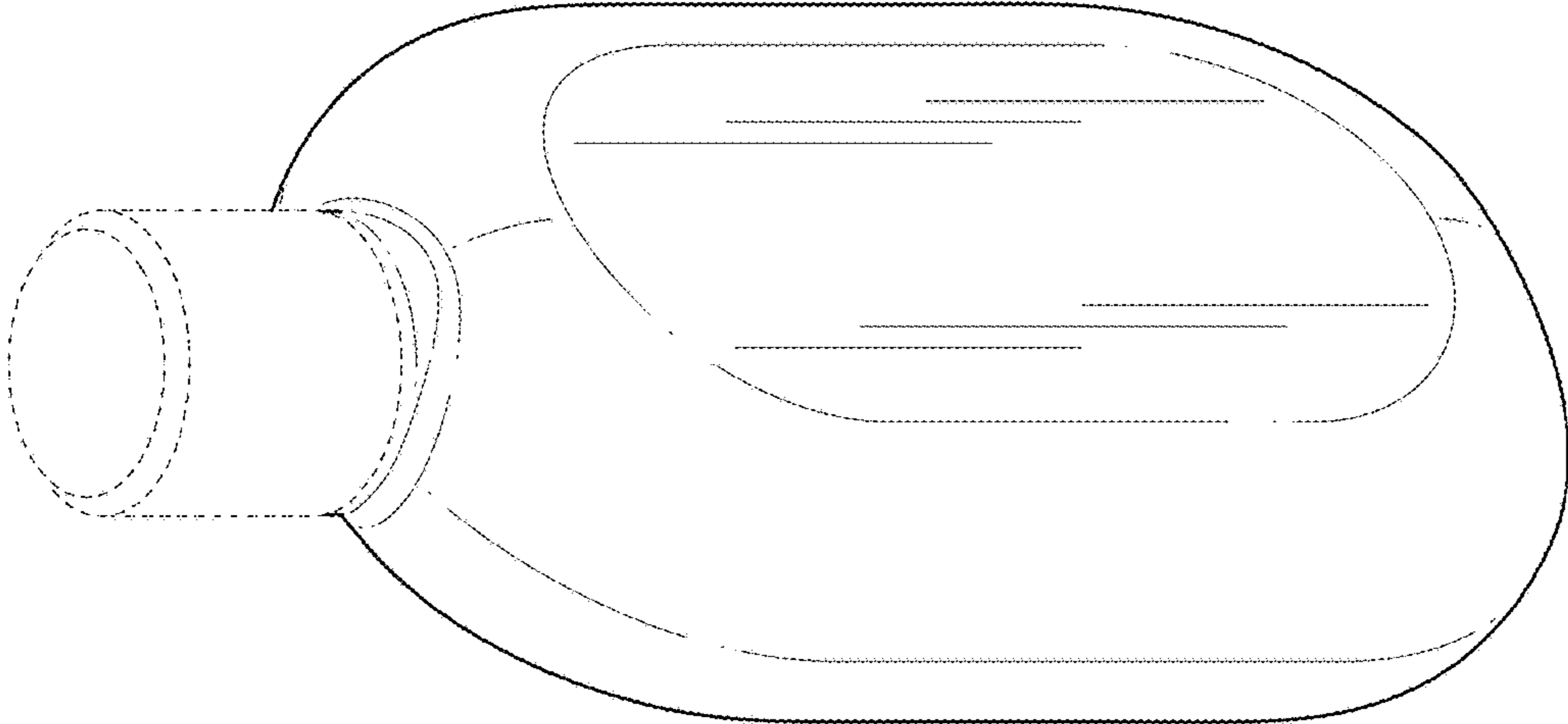


FIG. 2

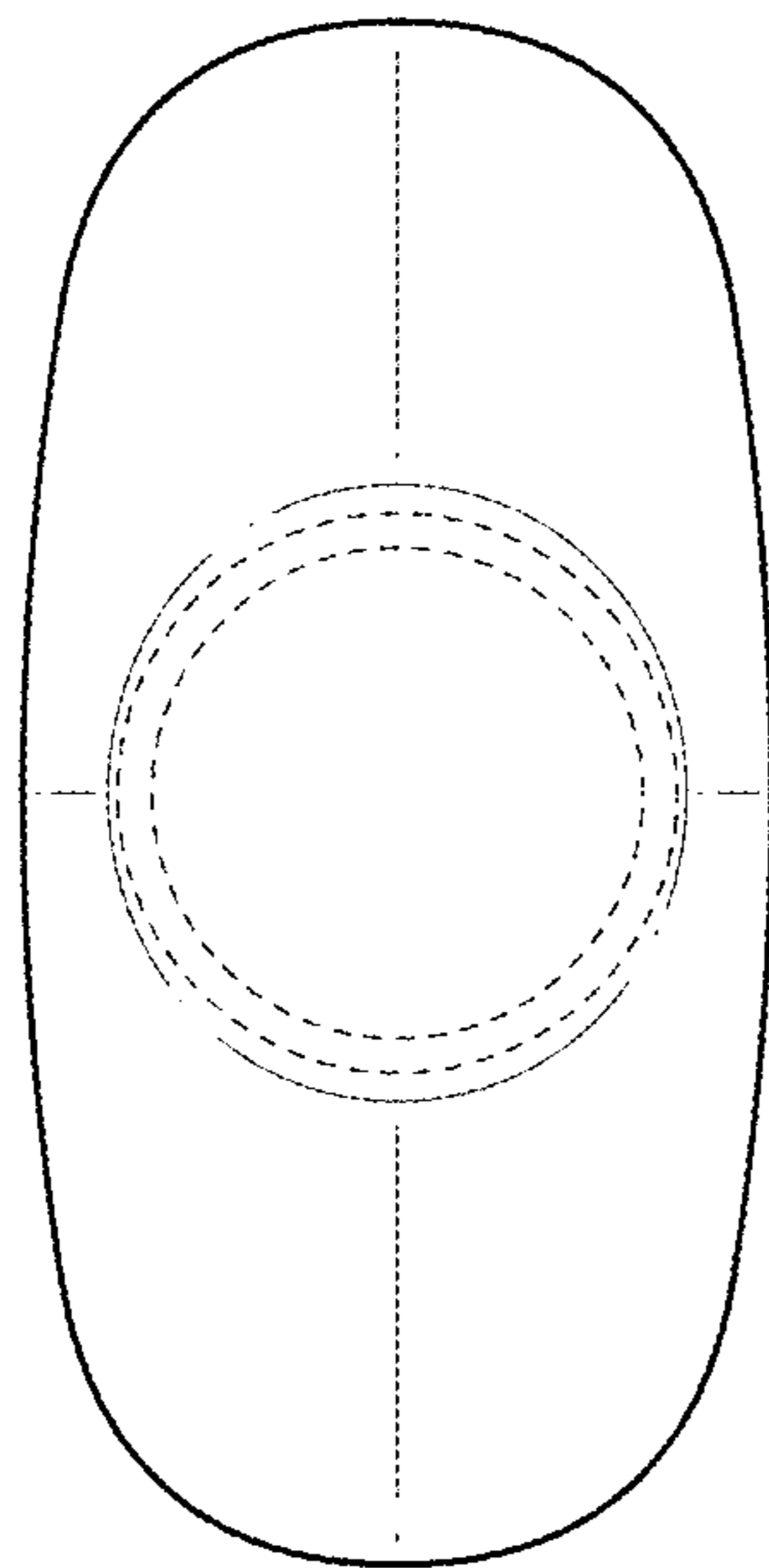


FIG. 3

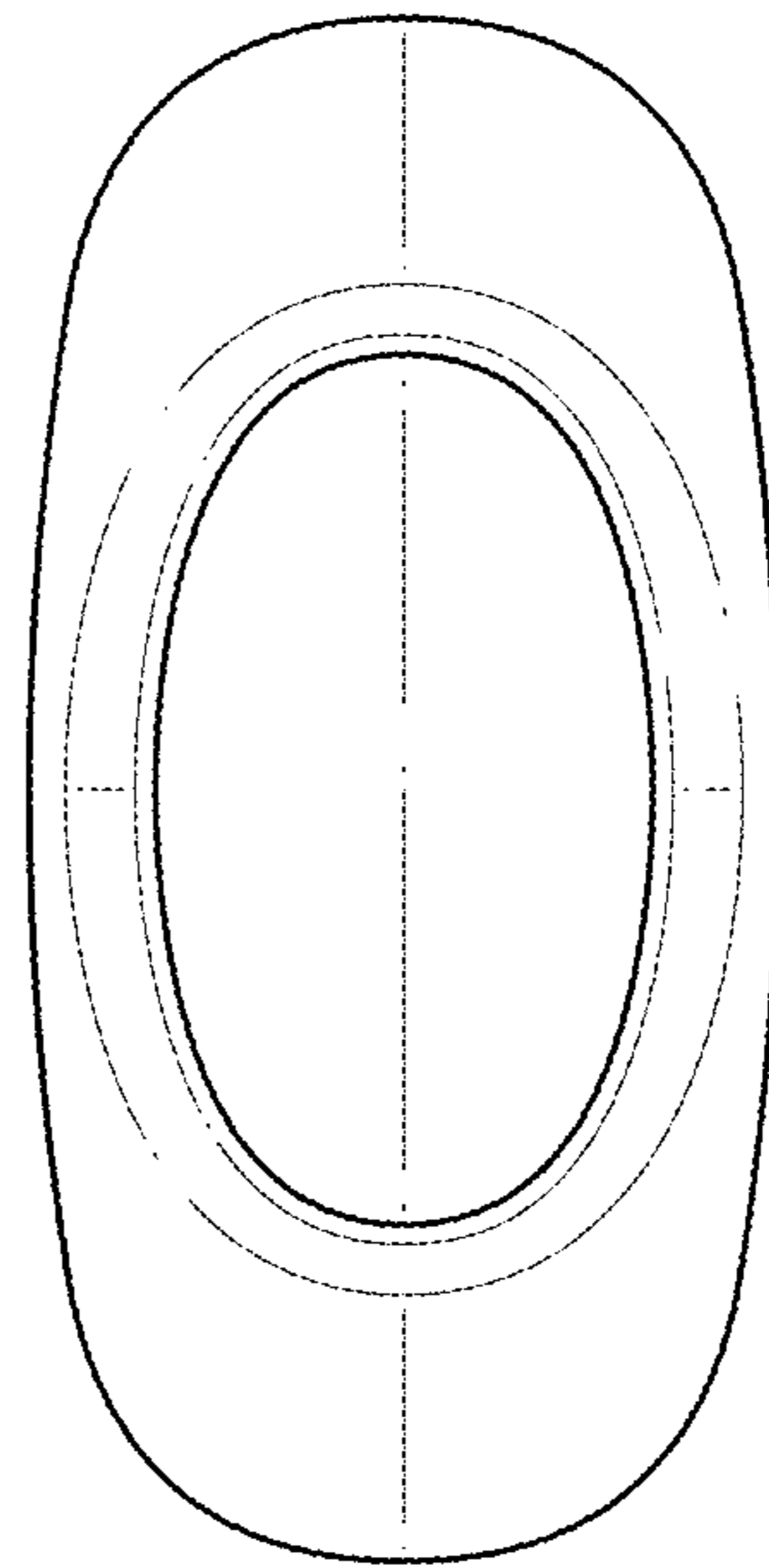


FIG. 4

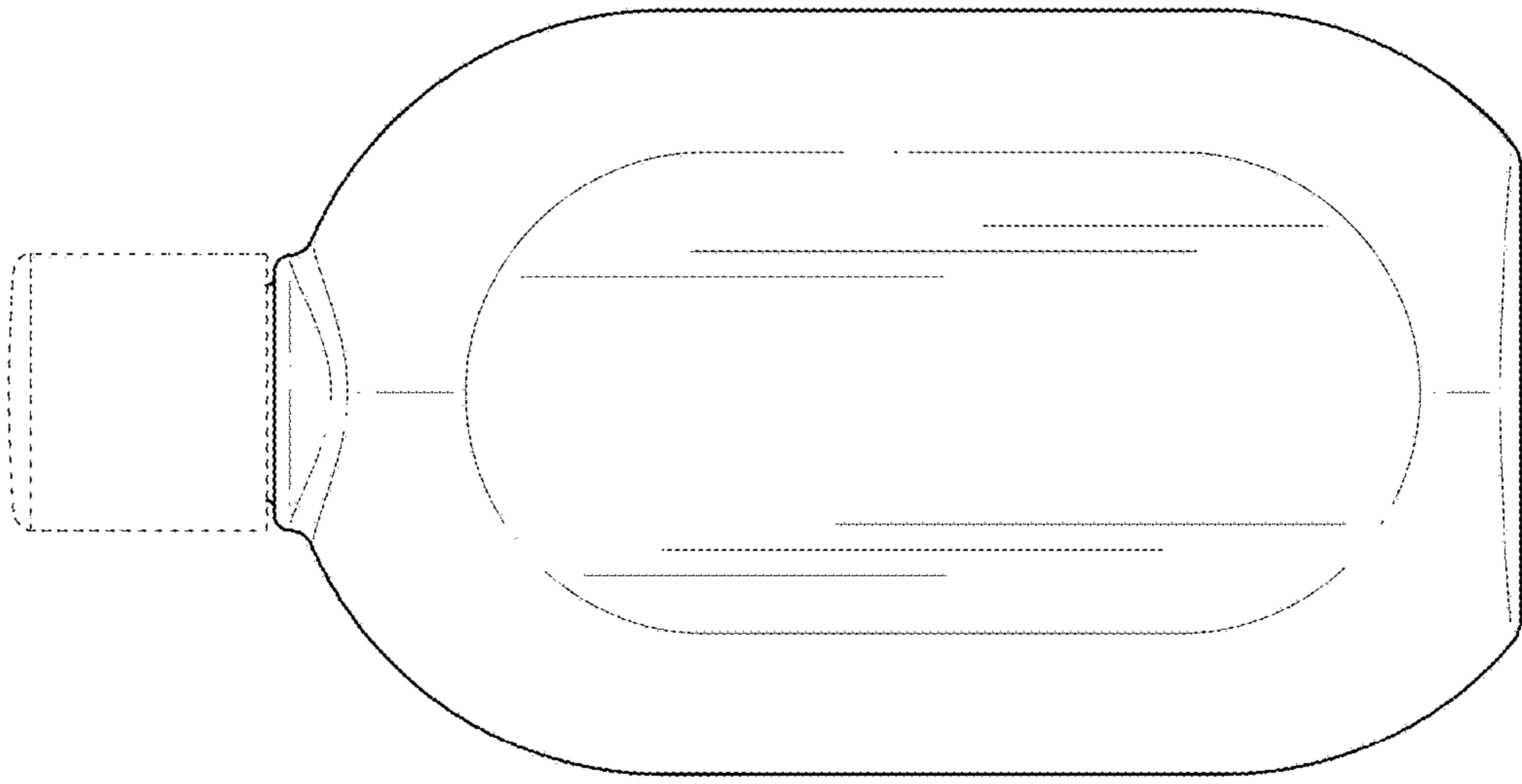


FIG. 6

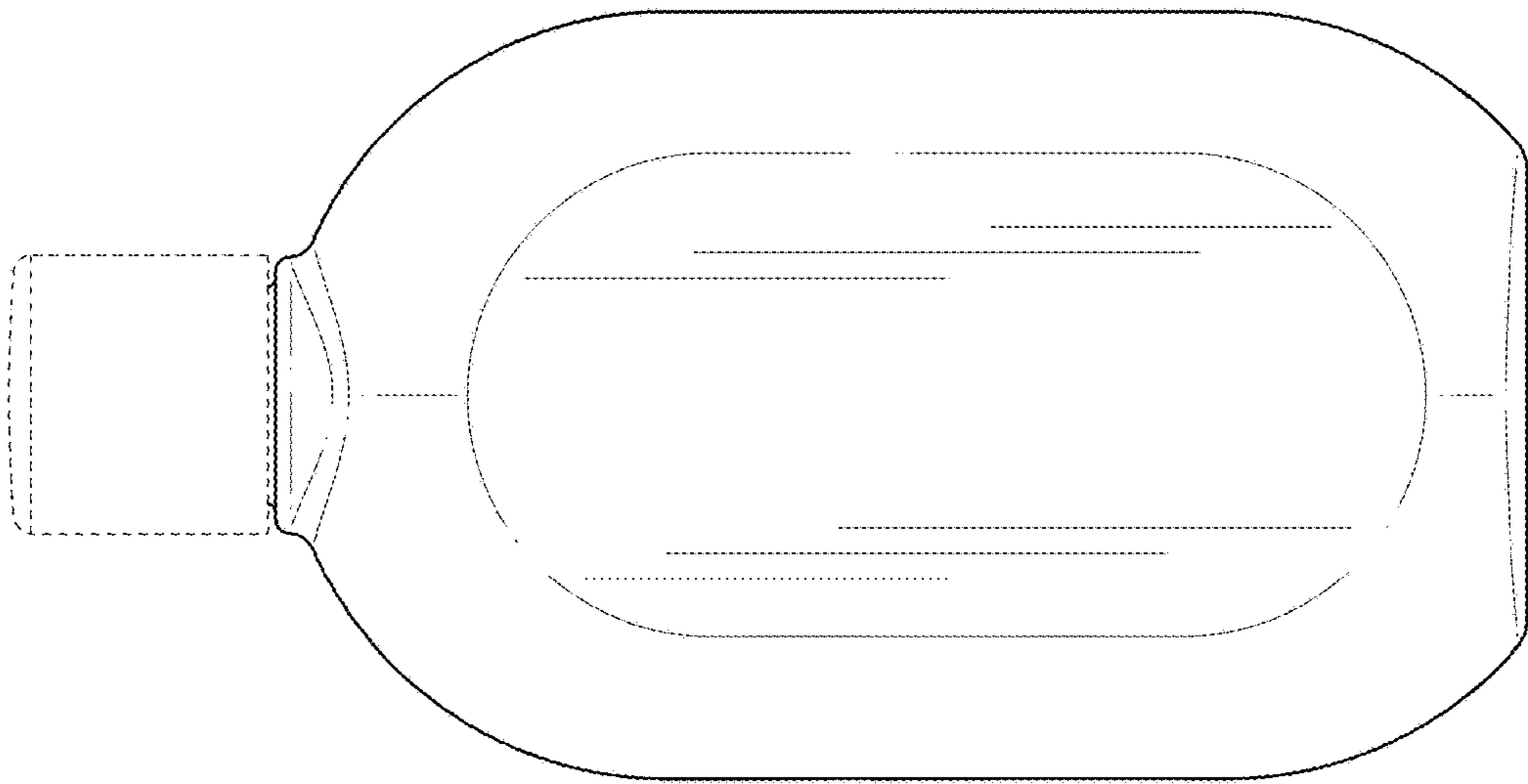


FIG. 5

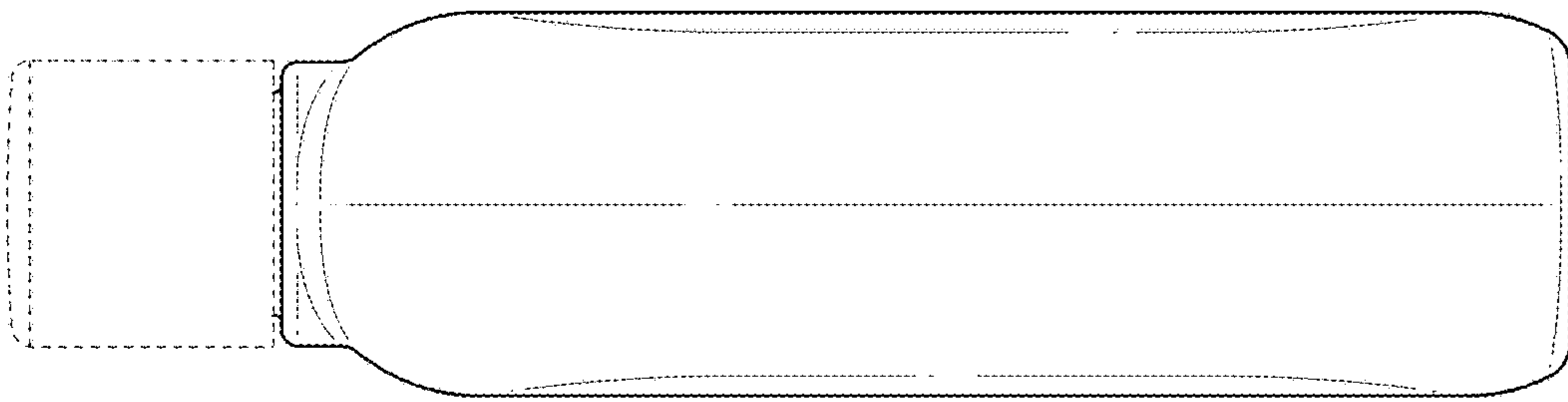


FIG. 8

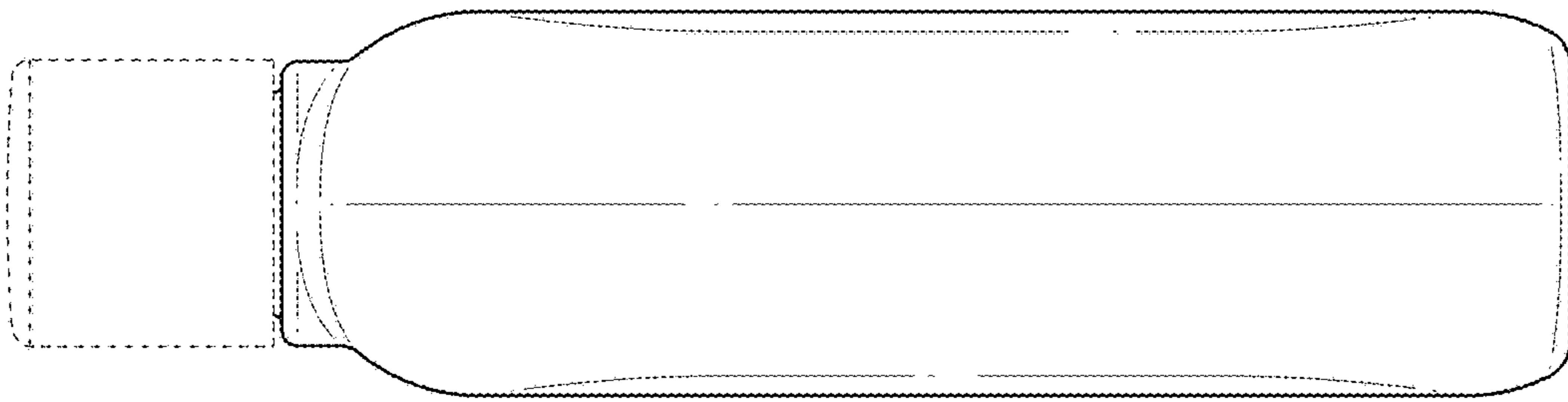


FIG. 7