



US00D793237S

(12) **United States Design Patent**  
**Vitale Rotta**

(10) **Patent No.:** **US D793,237 S**  
(45) **Date of Patent:** **\*\* Aug. 1, 2017**

(54) **BOTTLE**  
(71) Applicant: **SOCIETE DES EAUX DE VOLVIC,**  
Volvic (FR)  
(72) Inventor: **Sylvia Vitale Rotta,** Paris (FR)  
(73) Assignee: **SOCIETE DES EAUX DE VOLVIC,**  
Volvic (FR)  
(\*\*) Term: **15 Years**  
(21) Appl. No.: **29/530,521**  
(22) Filed: **Jun. 17, 2015**

D601,906 S \* 10/2009 Leruste ..... D9/560  
D612,251 S \* 3/2010 Lepoitevin ..... D9/539  
D618,107 S \* 6/2010 Zoppas ..... D9/541  
D619,011 S \* 7/2010 Zoppas ..... D9/541  
D631,753 S \* 2/2011 Russell ..... D9/560  
D637,495 S \* 5/2011 Gill ..... D9/538  
D643,729 S \* 8/2011 Lovelace, Jr. .... D9/538  
D651,091 S \* 12/2011 Boukobza ..... D9/520  
8,567,625 B2 \* 10/2013 Nemoto ..... B65D 1/0223  
215/384  
D734,159 S \* 7/2015 Brisson ..... D9/542  
D749,954 S \* 2/2016 Darr ..... D9/516  
D756,233 S \* 5/2016 Romero Salido ..... D9/520  
D757,556 S \* 5/2016 Lesueur ..... D9/520  
D758,873 S \* 6/2016 Appendini ..... D9/516  
D759,494 S \* 6/2016 Hanan ..... D9/552  
2007/0257003 A1 \* 11/2007 Colloud ..... B65D 1/0223  
215/382

(30) **Foreign Application Priority Data**  
Dec. 17, 2014 (EM) ..... 002599670-0001  
(51) **LOC (10) Cl.** ..... **09-01**  
(52) **U.S. Cl.**  
USPC ..... **D9/520; D9/565; D9/575**  
(58) **Field of Classification Search**  
USPC ..... D9/516, 520, 522, 530, 537, 539, 540,  
D9/542, 543, 544, 549, 560, 565-569,  
D9/571, 574, 715, 719  
CPC ..... B65D 81/00; B65D 1/02; B65D 1/0207;  
B65D 1/0223; B65D 1/0284; B65D  
2501/0027  
See application file for complete search history.

(Continued)

*Primary Examiner* — Ian Simmons  
*Assistant Examiner* — Keith Frank  
(74) *Attorney, Agent, or Firm* — DLA Piper LLP (US)

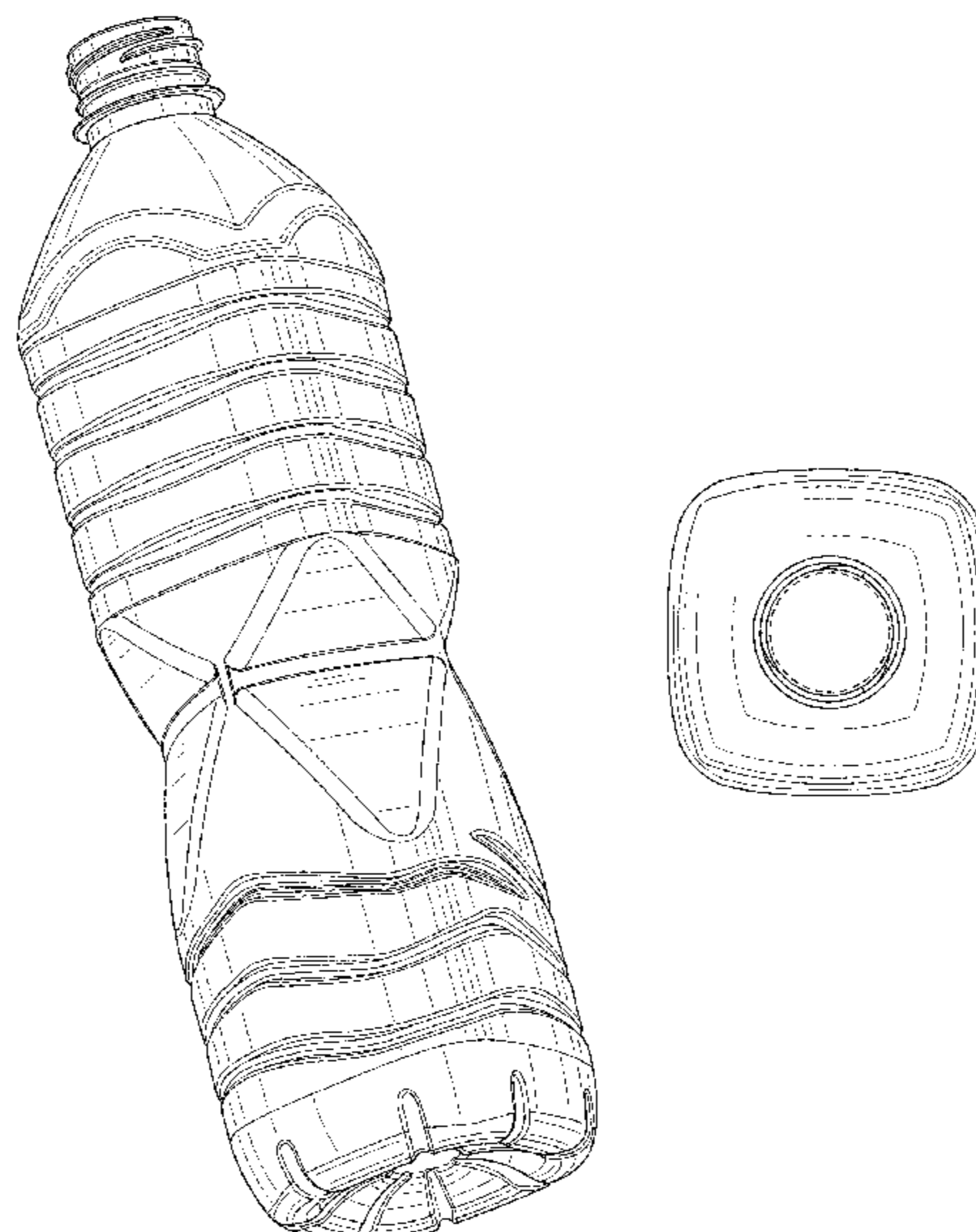
(56) **References Cited**  
U.S. PATENT DOCUMENTS  
D412,441 S \* 8/1999 Cheng ..... D9/434  
5,988,417 A \* 11/1999 Cheng ..... B65D 1/0223  
215/373  
D491,071 S \* 6/2004 Degeyter ..... D9/565  
D558,052 S \* 12/2007 Harper ..... D9/530  
D579,780 S \* 11/2008 Lepoitevin ..... D9/541  
7,581,654 B2 \* 9/2009 Stowitts ..... B65D 1/0223  
215/381

(57) **CLAIM**  
The ornamental design for a bottle, as shown and described.

**DESCRIPTION**

FIG. 1 is a perspective view of a bottle showing my new design;  
FIG. 2 is a front view of the bottle;  
FIG. 3 is a rear view of the bottle;  
FIG. 4 is a right side view of the bottle;  
FIG. 5 is a left side view of the bottle;  
FIG. 6 is a top view of the bottle; and,  
FIG. 7 is a bottom view of the bottle.  
The broken lines on the bottom shown in FIGS. 1 & 7 illustrate the portions of the bottle that form no part of the claimed design. The broken lines in FIG. 6 represent the bounds of the claimed design and form not part thereof.

**1 Claim, 7 Drawing Sheets**



(56)

**References Cited**

U.S. PATENT DOCUMENTS

2008/0041812	A1 *	2/2008	Stowitts .....	B65D 1/0223
				215/384
2014/0183202	A1 *	7/2014	Hanan .....	B65D 1/0284
				220/669

\* cited by examiner

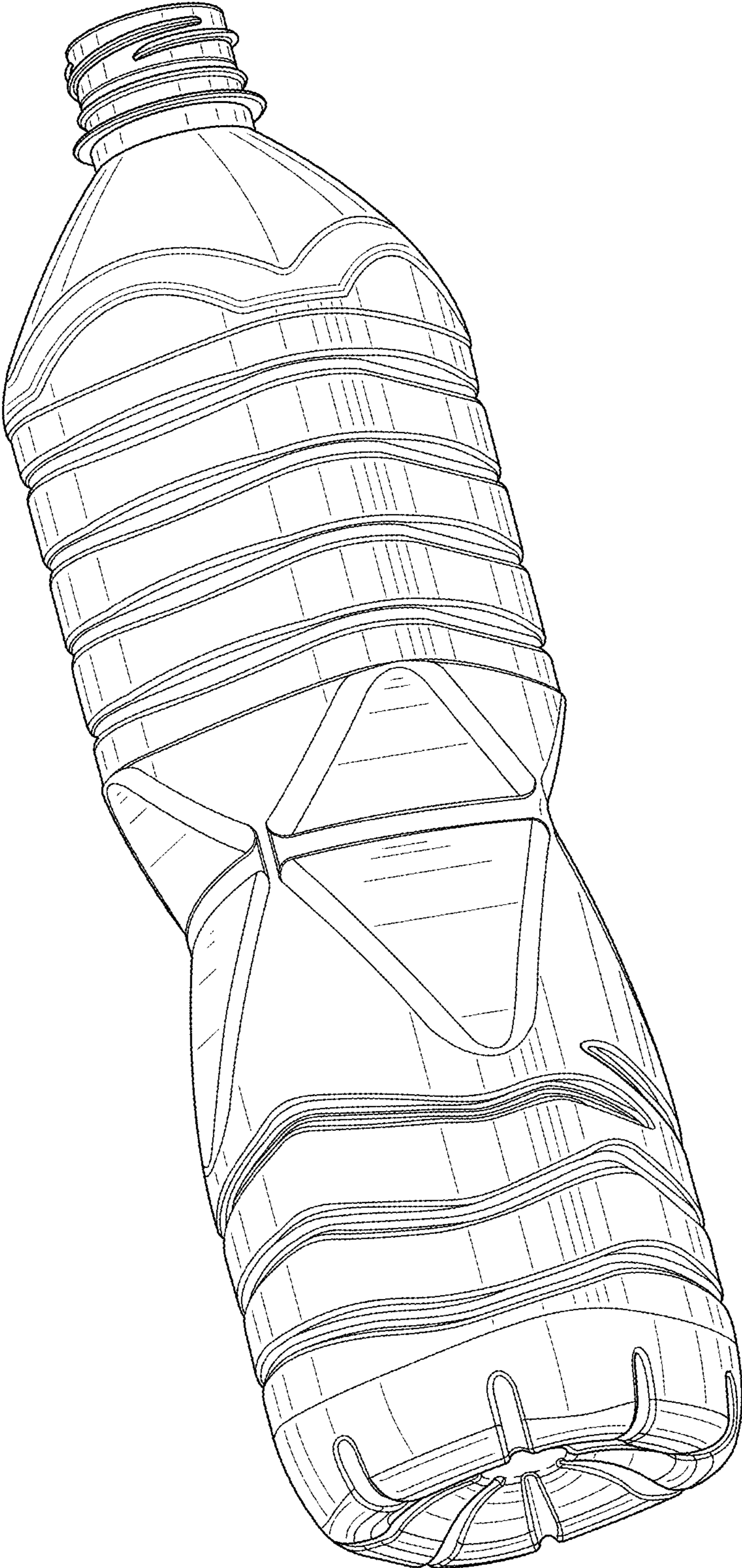


FIG. 1

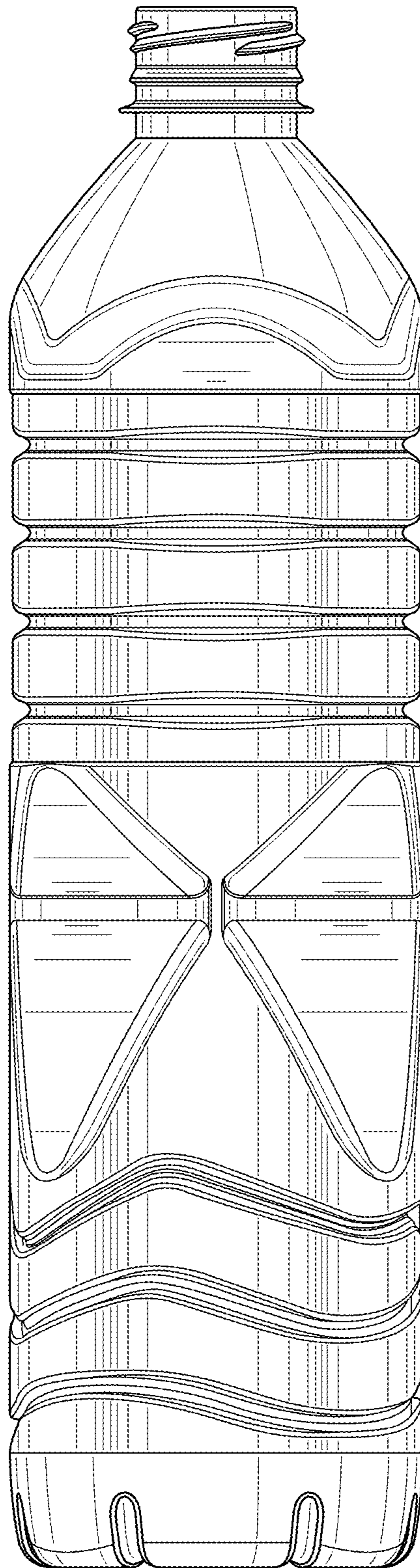


FIG. 2

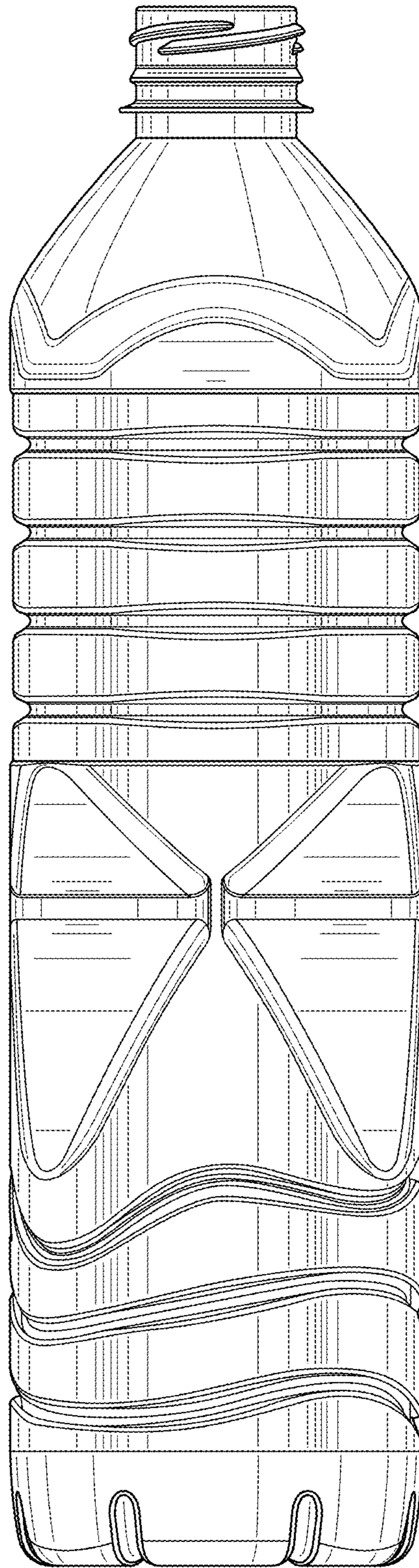


FIG. 3

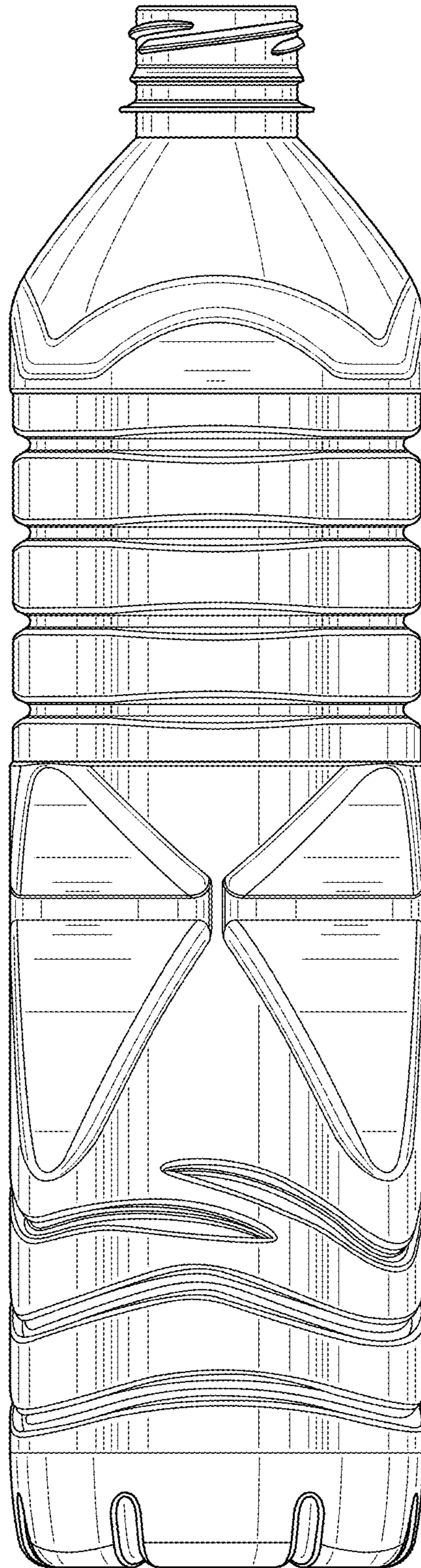


FIG. 4

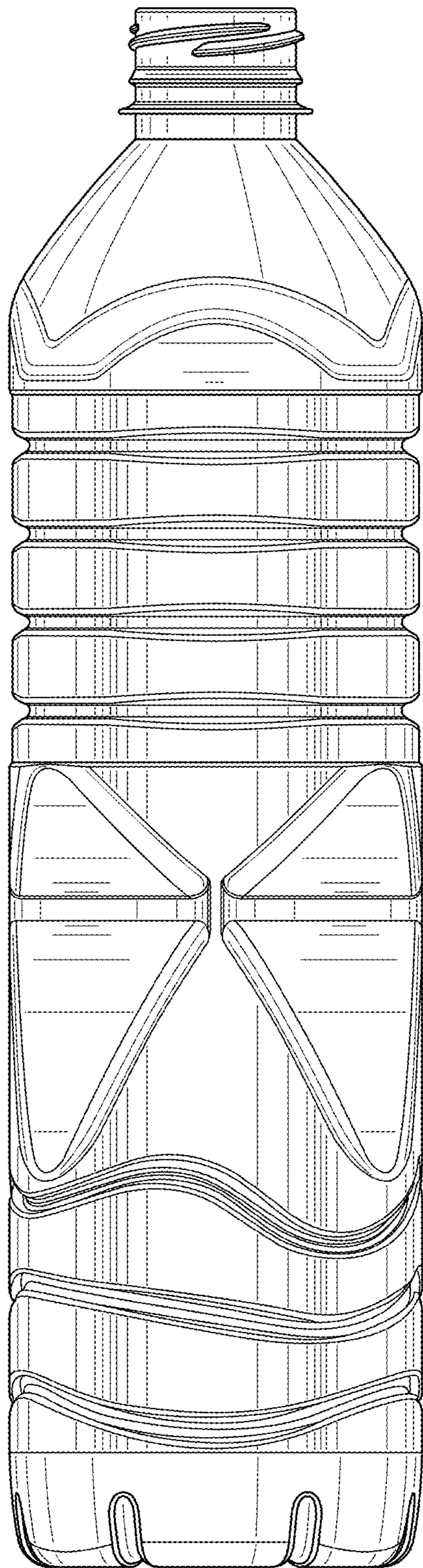


FIG. 5

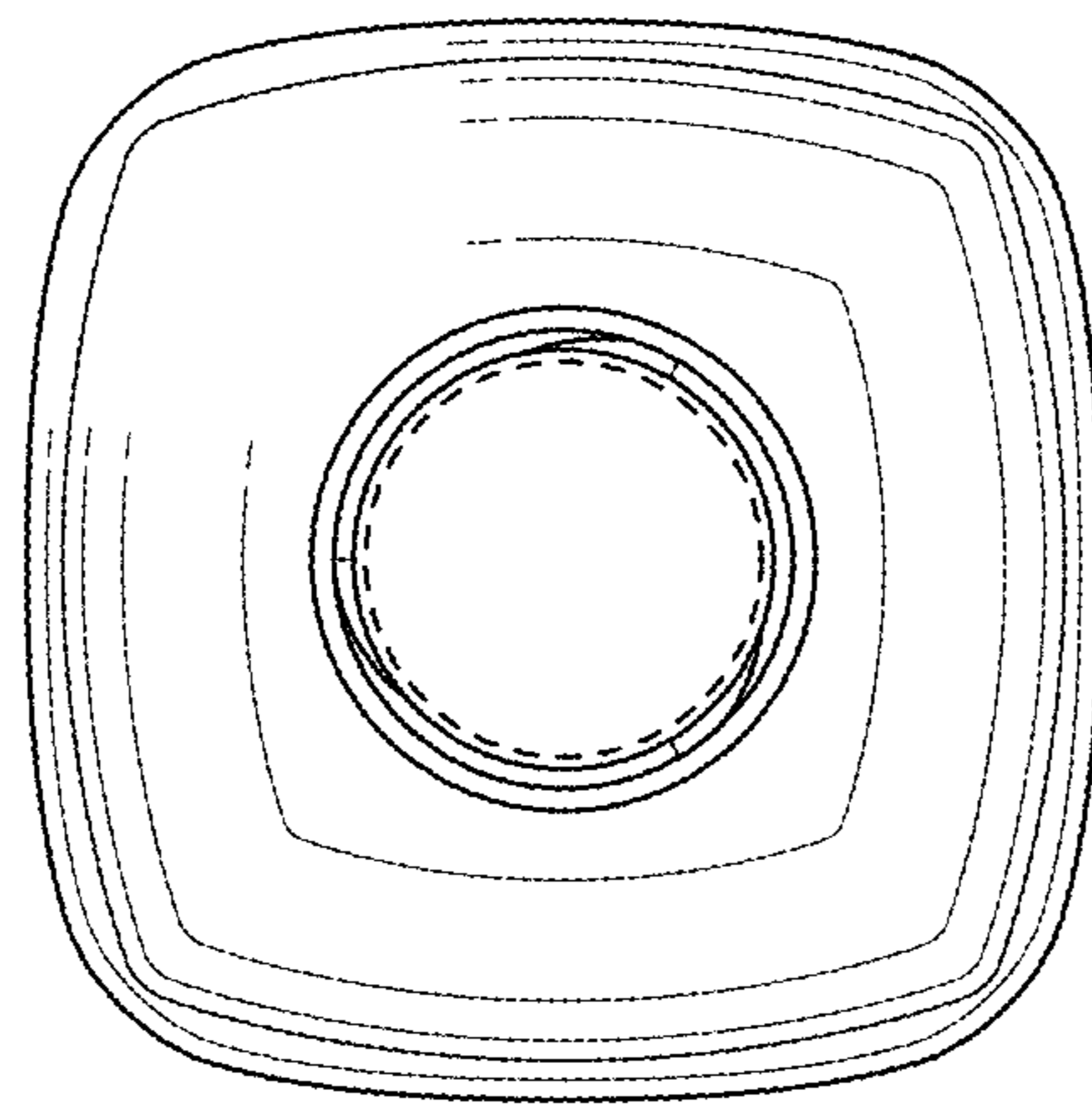


FIG. 6



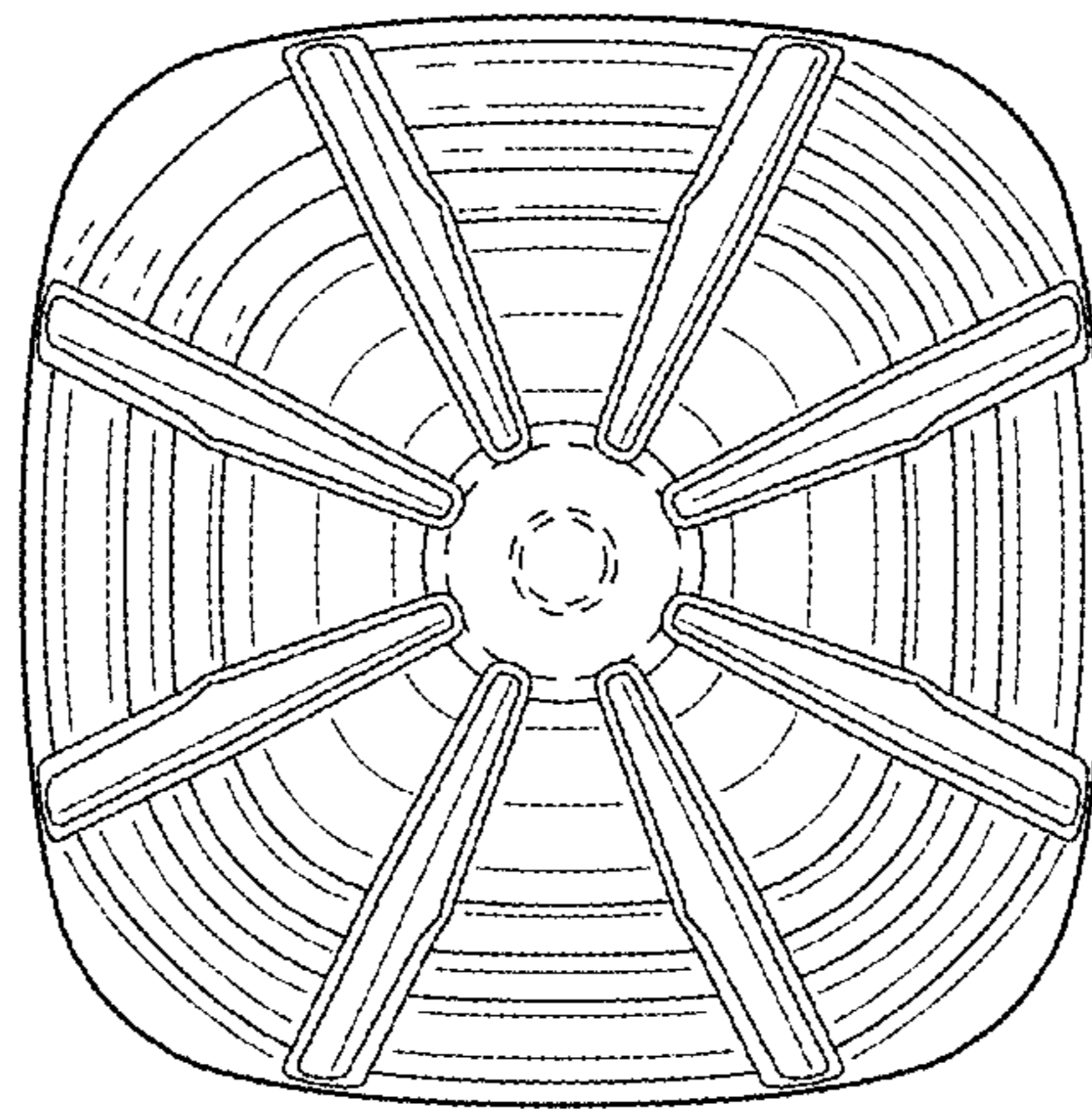


FIG. 7