



US00D793236S

(12) **United States Design Patent** (10) **Patent No.:** **US D793,236 S**  
**Santos et al.** (45) **Date of Patent:** **\*\* Aug. 1, 2017**

(54) **CONTAINER WITH LID**

(56) **References Cited**

(71) Applicant: **Natura Cosméticos S.A.**, São Paulo (BR)

U.S. PATENT DOCUMENTS

(72) Inventors: **Anderson da Silva Santos**, São Paulo (BR); **Fulvio Gargano Albano**, São Paulo (BR); **Luciana Hiromi Saito**, São Paulo (BR); **Alexandre Henrique Torres**, São Paulo (BR); **Carolina Ferreira Secchin**, São Paulo (BR)

D405,003 S *	2/1999	Dapsanse .....	D9/504
D412,440 S *	8/1999	Chuang .....	D9/503
D478,686 S *	8/2003	Jackel-Marken .....	D28/4
D605,523 S *	12/2009	Dibnah .....	D9/549
D630,097 S *	1/2011	Brochado .....	D9/503
D655,168 S *	3/2012	In .....	D9/504
D664,853 S *	8/2012	Kipry .....	D28/73
D695,116 S *	12/2013	Ahn .....	D9/454
D697,806 S *	1/2014	In .....	D9/454
D707,561 S *	6/2014	You .....	D9/454
D710,544 S *	8/2014	Shen .....	D28/77
D759,489 S *	6/2016	Lee .....	D9/503
D777,982 S *	1/2017	Son .....	D28/77

(73) Assignee: **NATURA COSMÉTICOS S.A.**, São Paulo-SP (BR)

\* cited by examiner

(\*\*) Term: **15 Years**

*Primary Examiner* — Anhdao Doan

(21) Appl. No.: **29/558,694**

*Assistant Examiner* — Mary Malley

(22) Filed: **Mar. 21, 2016**

(74) *Attorney, Agent, or Firm* — B. Aaron Schulman, Esq.; Stites & Harbison, PLLC

(51) **LOC (10) Cl.** ..... **09-01**

(57) **CLAIM**

(52) **U.S. Cl.**  
USPC ..... **D9/503**; D9/549; D9/454

The ornamental design for a container with lid, as shown and described.

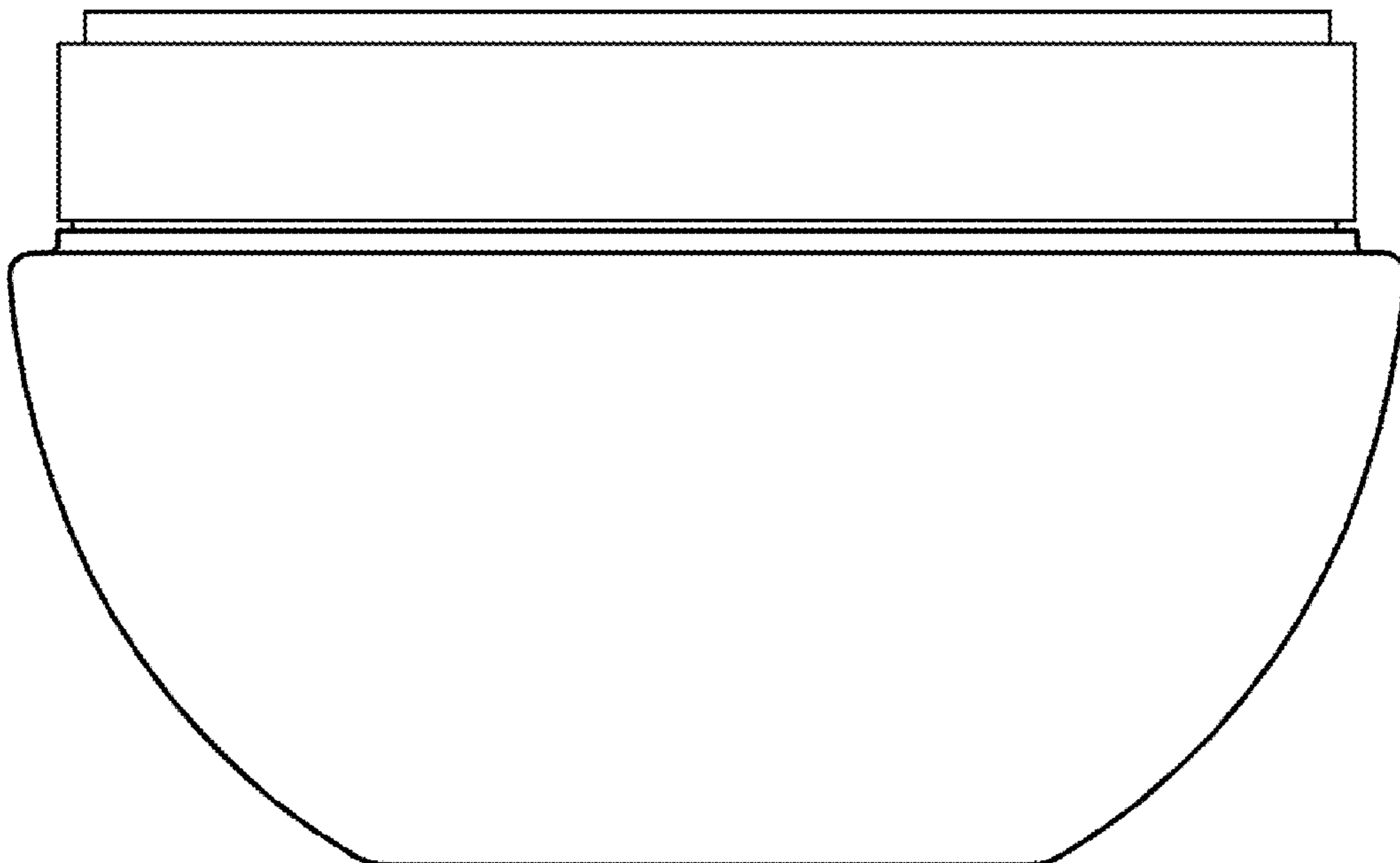
(58) **Field of Classification Search**  
USPC ..... D9/51–521, 529, 549, 558, 682, 686, D9/688–691, 551, 553, 556; D28/4, D28/76–78, 82, 91; D7/602, 537, 612, D7/615, 629; D12/197; D8/399; 215/379, 381–382; 220/660, 669–673, 220/675  
CPC ... B65D 1/00; B65D 1/02; B65D 1/07; B65D 1/0023; B65D 1/10; B65D 23/00; B65D 2501/00; B65D 2501/0009; B65D 33/00; B65D 75/5872

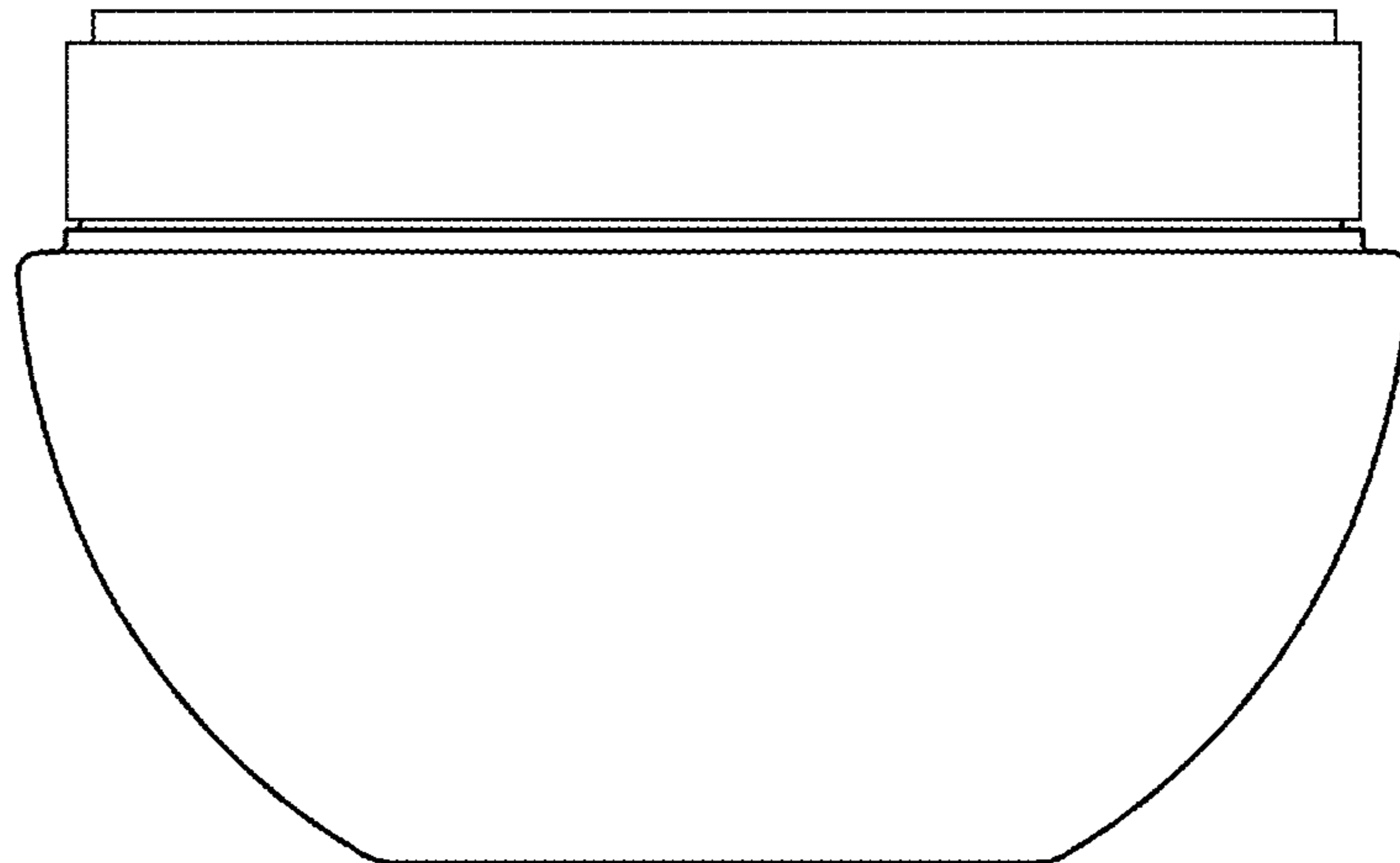
**DESCRIPTION**

FIG. 1 is a front elevational view of a showing the new design for the container with lid;  
FIG. 2 is a rear elevational view thereof;  
FIG. 3 is a left elevational view thereof;  
FIG. 4 is a right elevational view thereof;  
FIG. 5 is a top plan view thereof;  
FIG. 6 is a bottom plan view thereof; and,  
FIG. 7 is a perspective view thereof.

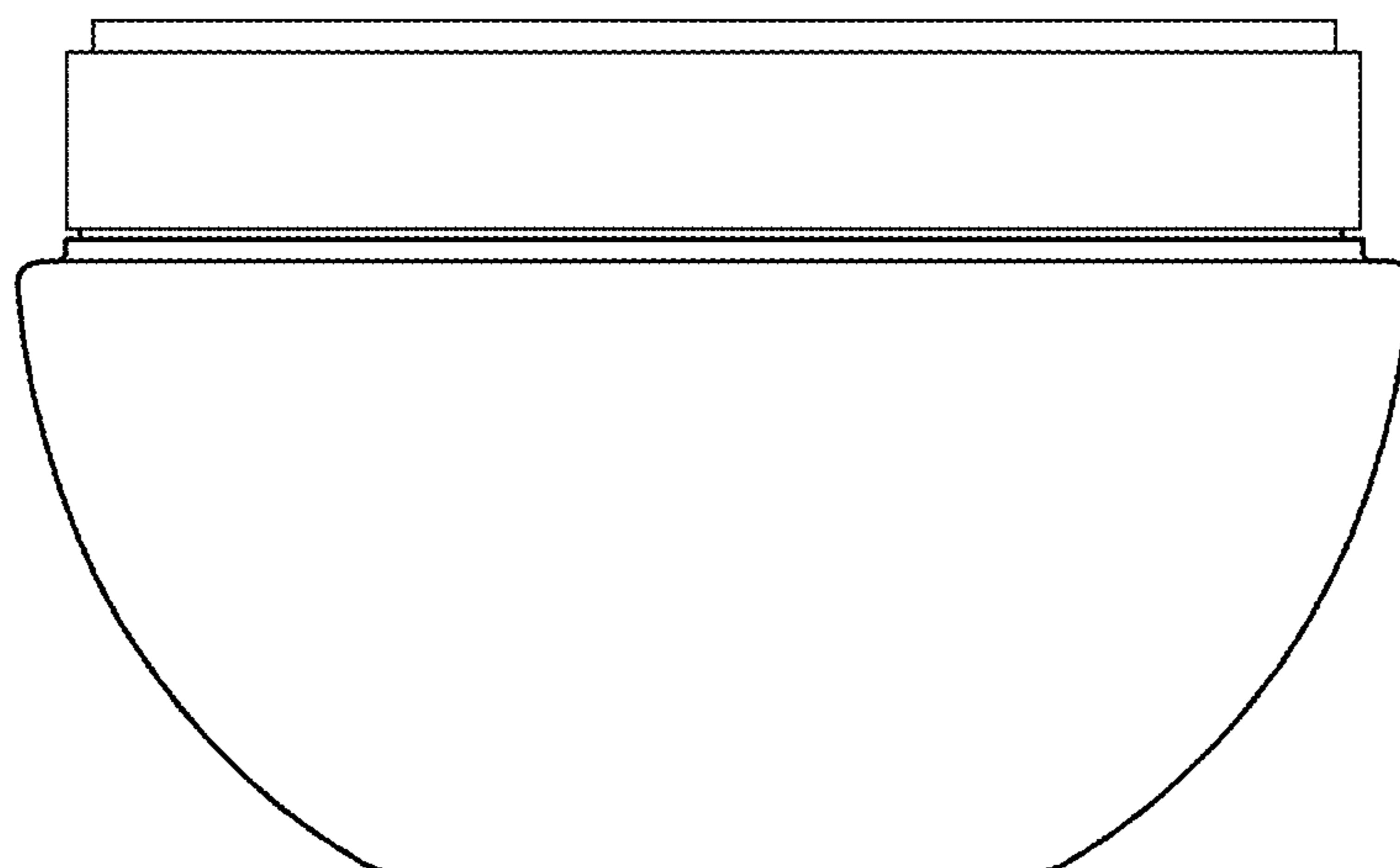
See application file for complete search history.

**1 Claim, 4 Drawing Sheets**

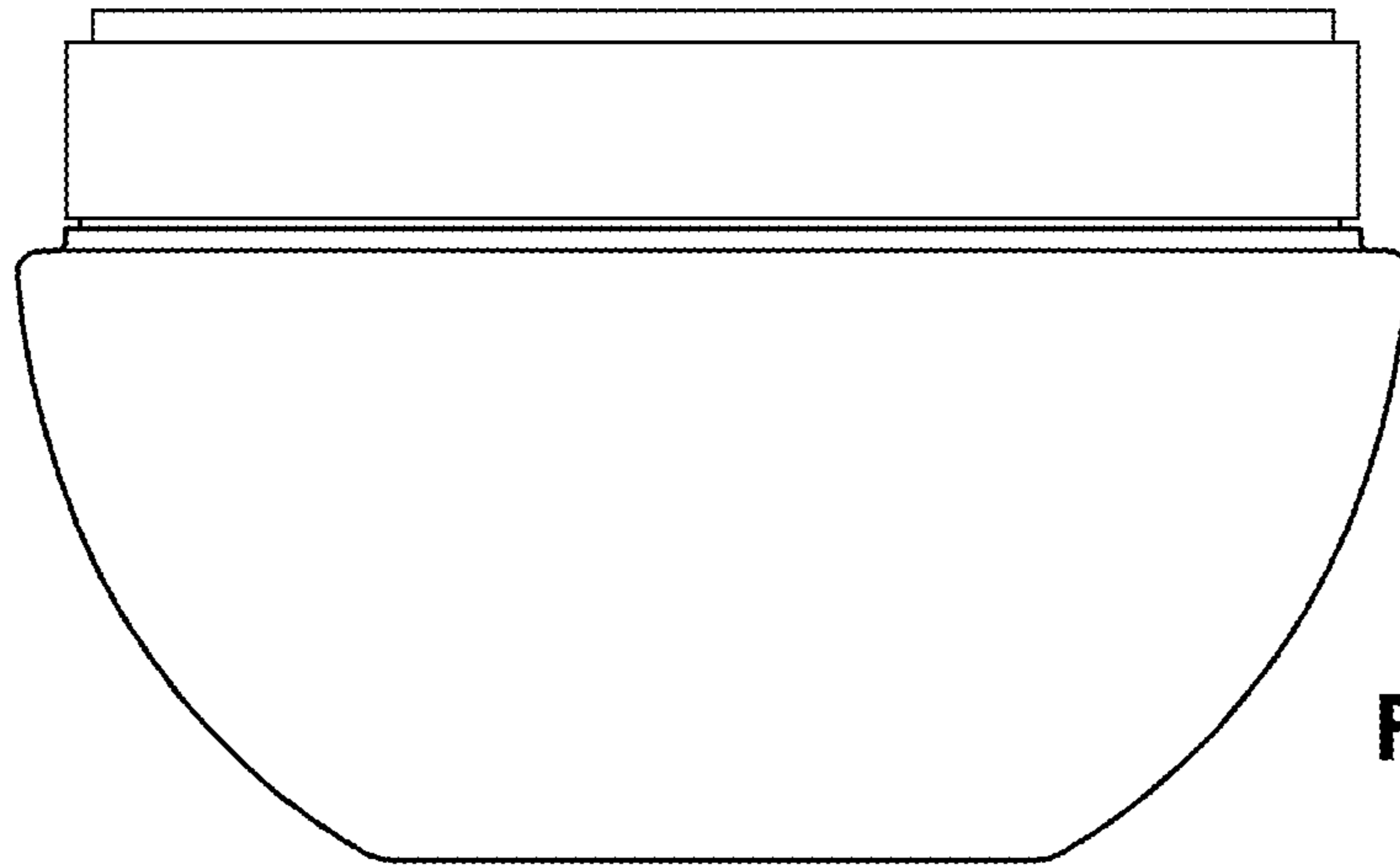




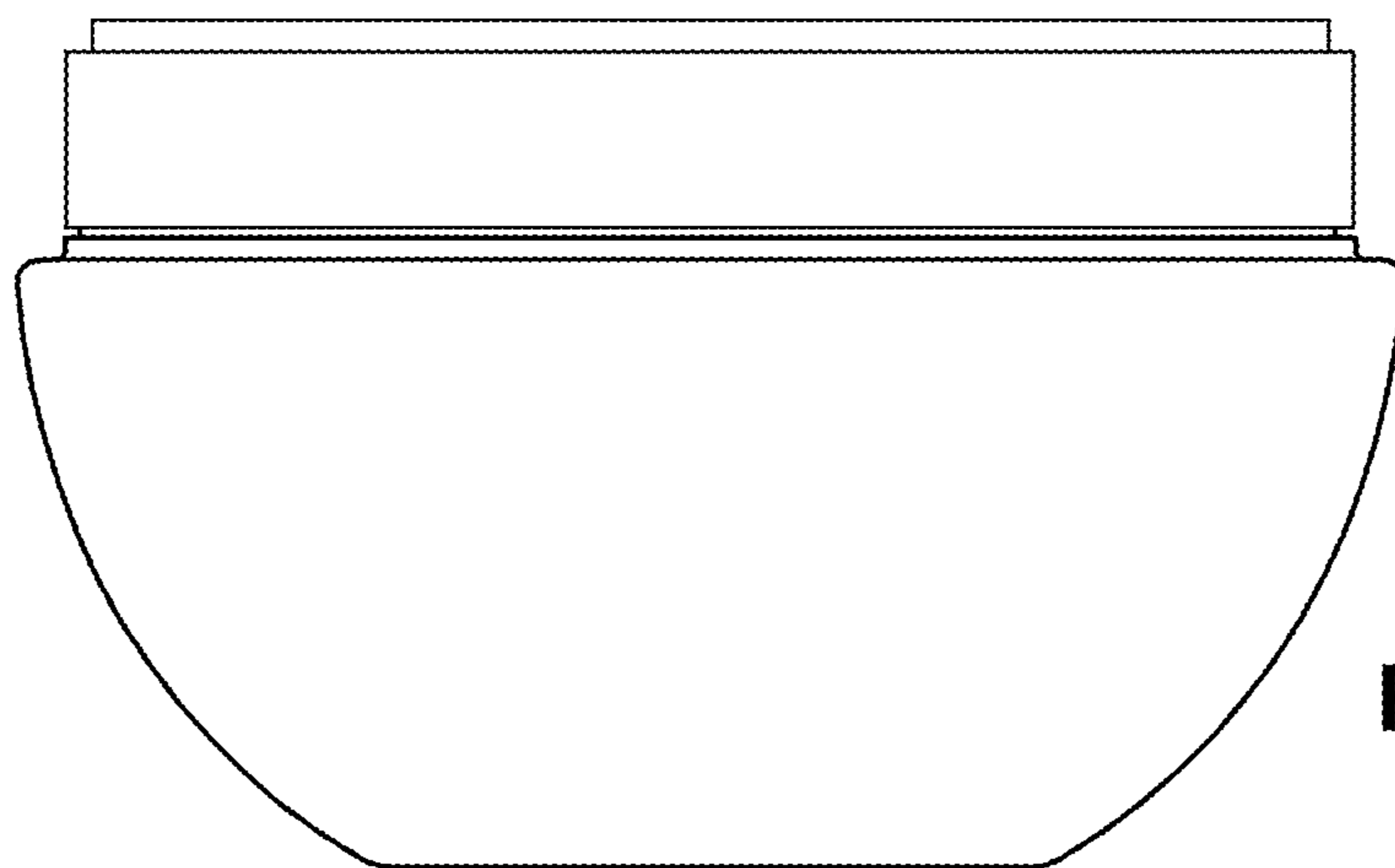
**FIG. 1**



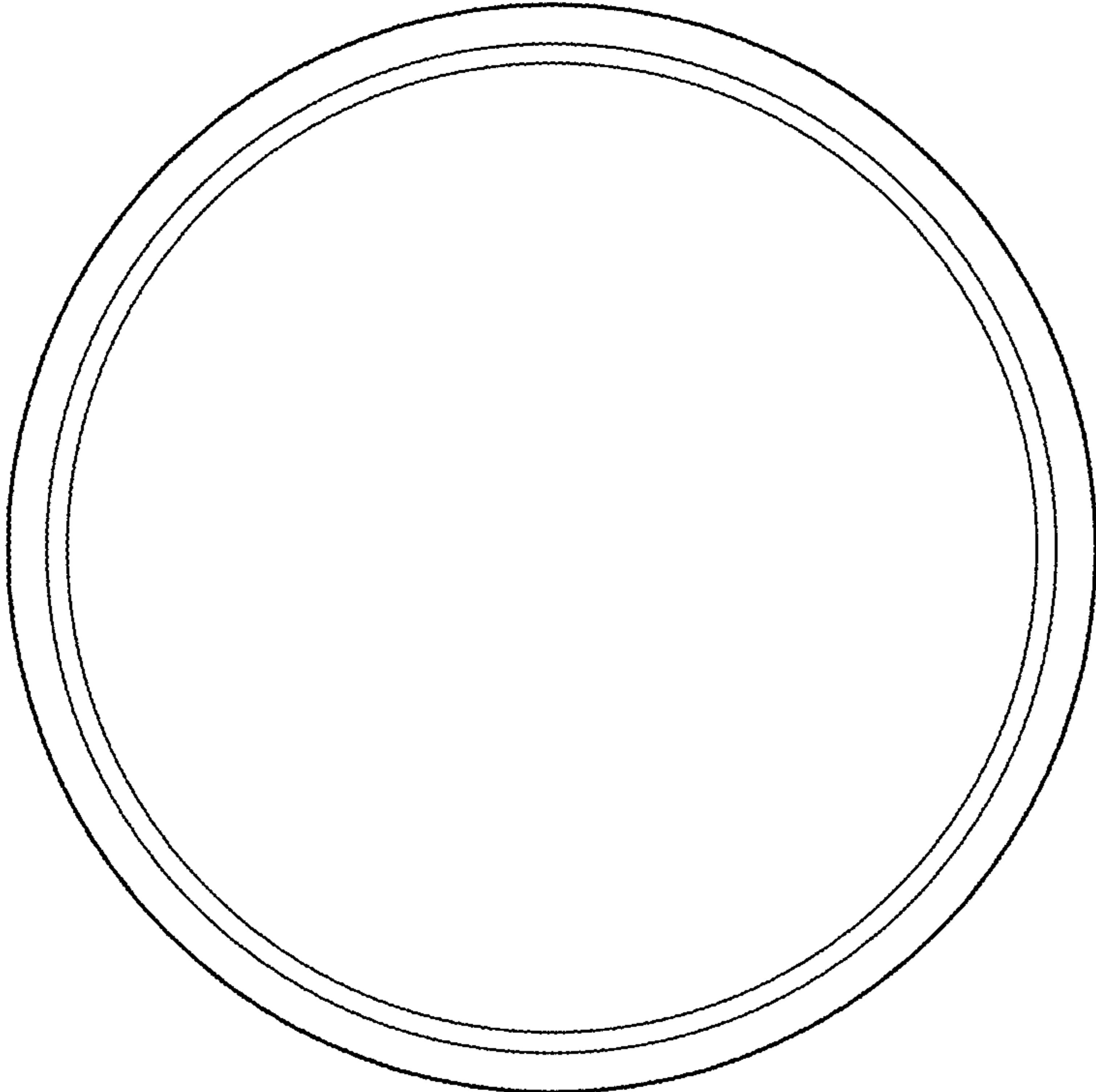
**FIG. 2**



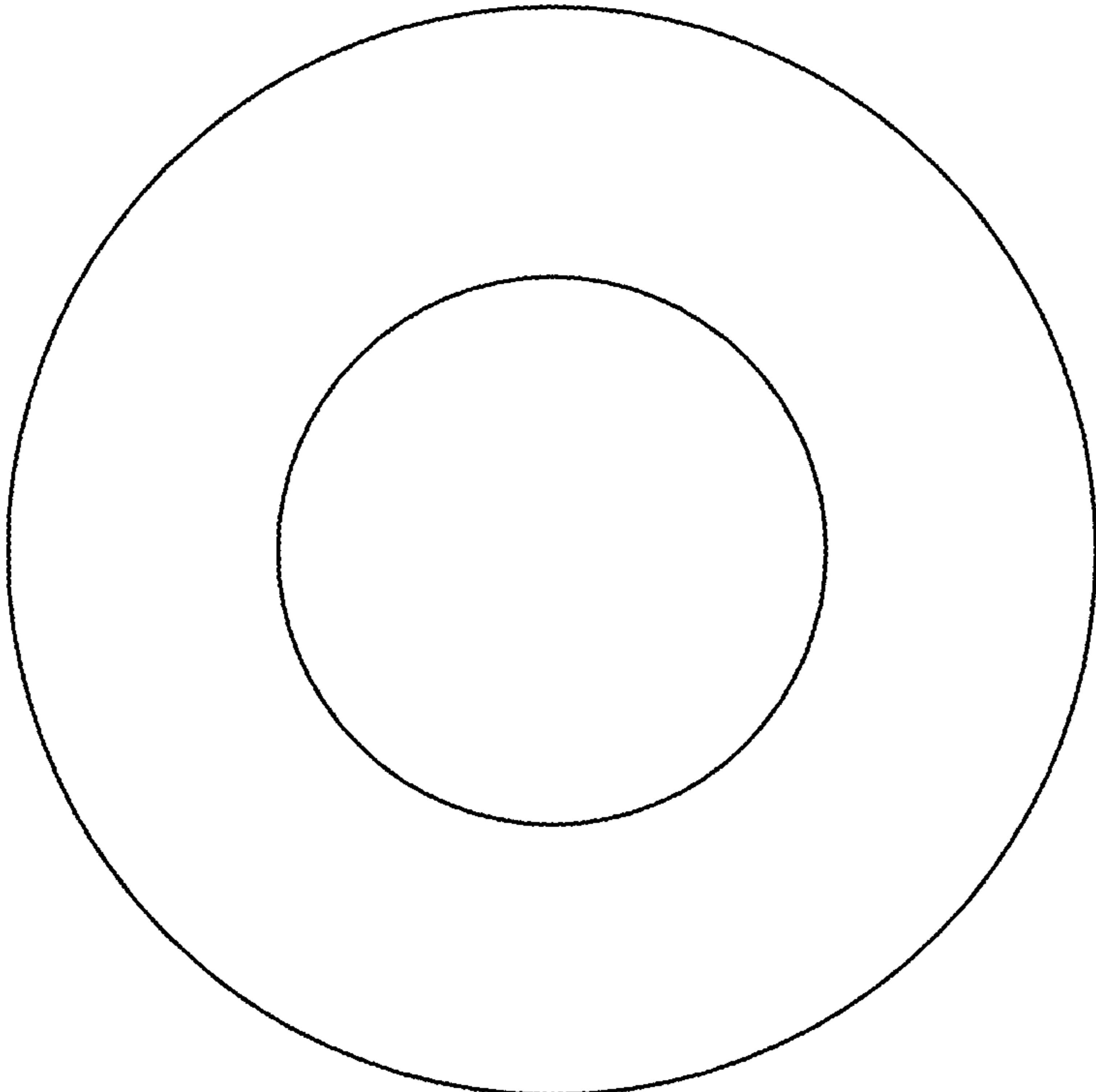
**FIG. 3**



**FIG. 4**



**FIG. 5**



**FIG. 6**

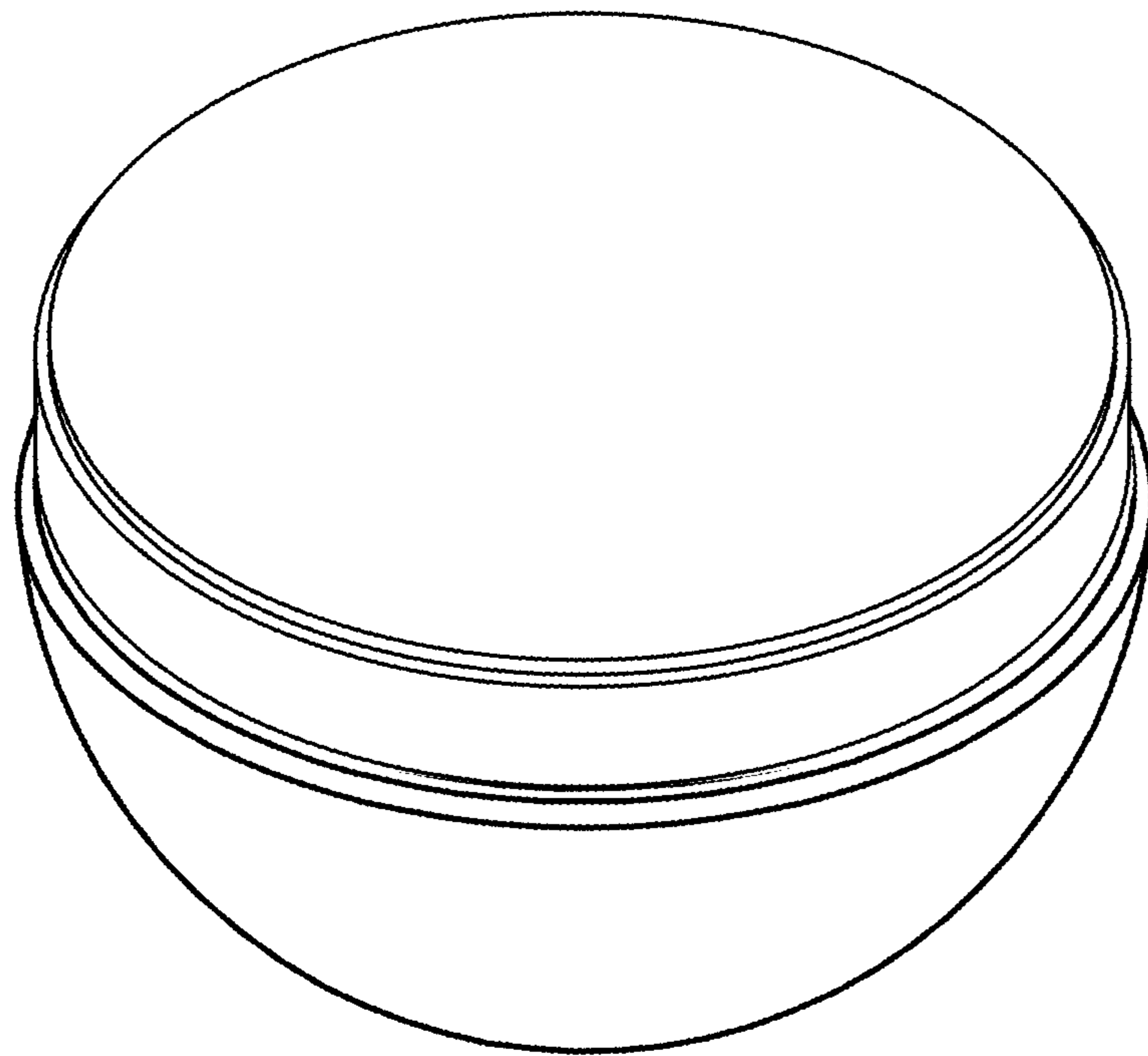


FIG. 7