



US00D793235S

(12) **United States Design Patent** (10) **Patent No.:** **US D793,235 S**  
**Bois** (45) **Date of Patent:** **\*\* Aug. 1, 2017**

(54) **CONTAINER**

FOREIGN PATENT DOCUMENTS

(71) Applicant: **Clariant Production (France) SAS,**  
Choisy le Roi (FR)

CN 303167267 \* 4/2015  
CN 303516927 \* 12/2015

(Continued)

(72) Inventor: **Dominique Bois,** Montreuil aux Lions  
(FR)

OTHER PUBLICATIONS

(73) Assignee: **CLARIANT PRODUCTION**  
**(FRANCE) SAS,** Choisy le Roi (FR)

U.S. Appl. No. 29/471,208, filed Oct. 29, 2013, Logel et al.  
(Continued)

(\*\*) Term: **15 Years**

*Primary Examiner* — Catherine Tuttle

(21) Appl. No.: **29/528,180**

*Assistant Examiner* — Mary Malley

(22) Filed: **May 27, 2015**

(74) *Attorney, Agent, or Firm* — Knobbe Martens Olson  
& Bear LLP

(30) **Foreign Application Priority Data**

Nov. 27, 2014 (EM) ..... 002586446

(51) **LOC (10) Cl.** ..... **09-01**

(52) **U.S. Cl.**  
USPC ..... **D9/503; D9/549; D9/435**

(58) **Field of Classification Search**  
USPC ..... D9/500–505, 516, 529, 530, 537, 538,  
D9/541, 549–559, 569, 570, 774, 776,  
D9/692, 694, 723–728, 745, 746, 562,  
D9/464, 435; D28/76–91.1;  
D24/216–232

CPC .... A45D 33/00; A45D 33/003; A45D 33/006;  
A45D 33/02; A45D 33/025; A45D 33/18;  
A45D 33/22; A45D 34/00; A45D  
2034/007; A45D 34/02; A45D 40/40;  
A45D 40/0068; A45D 40/0075; A45D  
2200/05; A45D 2200/051; A45D  
2200/052; A45D 2200/053

See application file for complete search history.

(56) **References Cited**

U.S. PATENT DOCUMENTS

D28,746 S 5/1898 Blount  
D30,094 S 1/1899 Busch  
D30,338 S 3/1899 Mann

(Continued)

(57) **CLAIM**

The ornamental design for a container, as shown and described.

**DESCRIPTION**

FIG. 1 is a top perspective view of the container embodying my new design.

FIG. 2 is a side view of the design of FIG. 1. The opposite view is a mirror image thereof.

FIG. 3 is a front view of the design of FIG. 1;

FIG. 4 is a rear view of the design of FIG. 1;

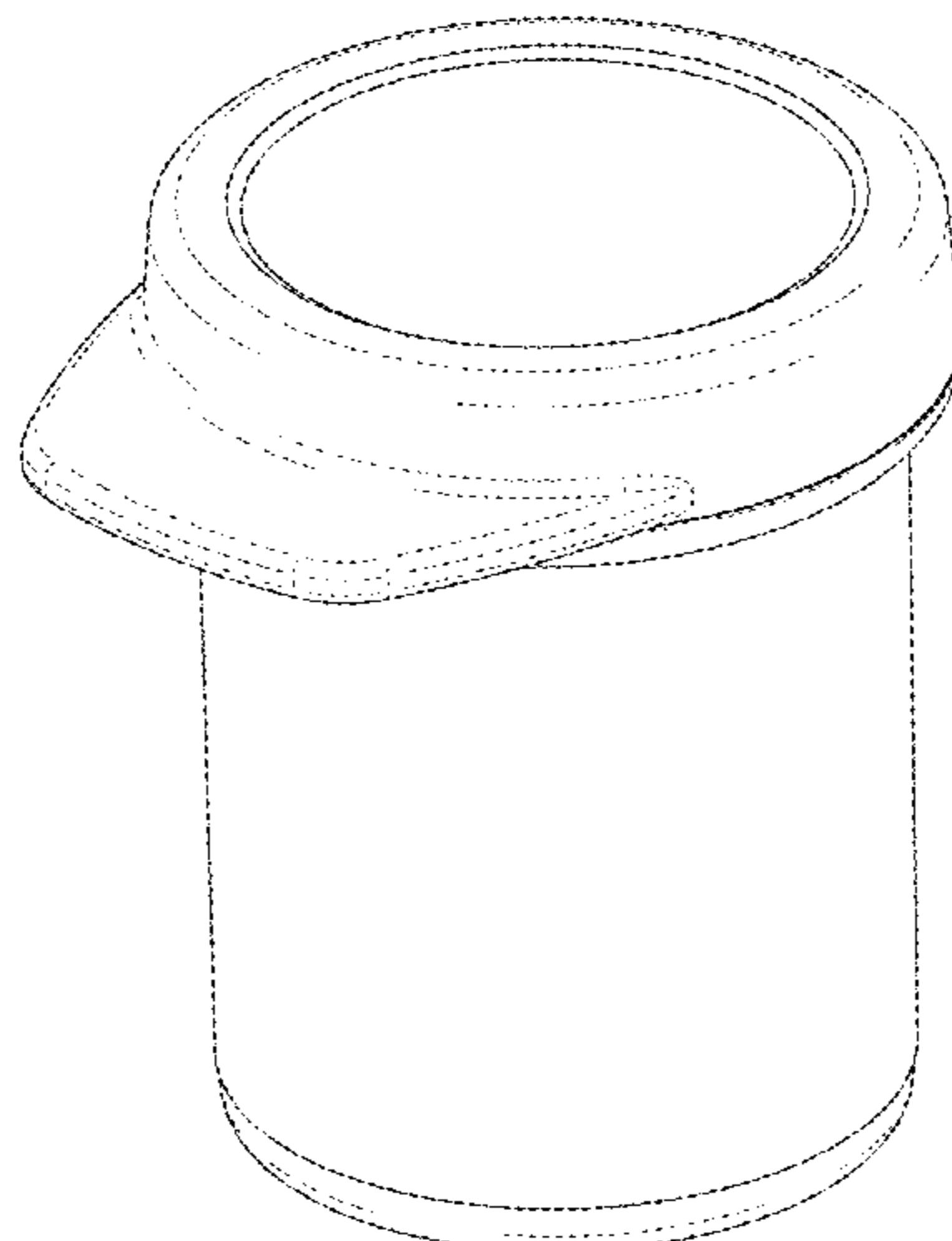
FIG. 5 is a top planar view of the design of FIG. 1;

FIG. 6 is a bottom planar rear view of the design of FIG. 1; and,

FIG. 7 is a side, part cross-sectional view of the design of FIG. 1.

The broken lines showing the hinge portion of the container form no part of the claimed design. The broken lines that illustrate the interior portions of the container in the FIG. 7 cross sectional view form no part of the claimed design.

**1 Claim, 7 Drawing Sheets**



(56)

References Cited

U.S. PATENT DOCUMENTS

D32,681 S 5/1900 Morgenthaler  
 D45,242 S 2/1914 Schulhoff  
 D136,321 S 9/1942 Voglesong  
 3,276,626 A 10/1966 Stevens  
 3,369,694 A 2/1968 Mauser  
 D214,997 S 8/1969 Churan  
 D215,417 S 9/1969 MacDonald  
 D219,265 S 11/1970 Churan  
 D279,651 S 7/1985 Freeman  
 4,550,844 A 11/1985 Lininger  
 D306,408 S \* 3/1990 Umbeck ..... D9/428  
 4,981,230 A 1/1991 Marshall et al.  
 D315,309 S 3/1991 Baughman  
 3,017,049 A 1/1992 Powell  
 D338,621 S 8/1993 Balson  
 D348,137 S 6/1994 Campbell  
 D379,588 S 6/1997 Pledger  
 D401,115 S 11/1998 Huang  
 6,026,739 A 2/2000 Dernoga  
 6,056,136 A 5/2000 Taber et al.  
 D427,069 S 6/2000 Carter  
 D441,089 S 4/2001 Bhullar  
 D530,205 S 10/2006 Lohrman  
 D563,560 S 3/2008 Copeland  
 7,374,358 B2 \* 5/2008 Neuner ..... A45D 40/267  
 401/122  
 D573,711 S 7/2008 Johnson et al.  
 D584,152 S 1/2009 VerWeyst  
 D599,655 S 9/2009 Friebe et al.  
 D604,608 S 11/2009 Lourenco  
 D604,614 S 11/2009 Janboecke  
 D610,008 S 2/2010 Baughmann  
 D613,874 S 4/2010 Lafond  
 D623,056 S 9/2010 Sessa  
 D625,190 S 10/2010 Pontes  
 D638,550 S 5/2011 Bedingham et al.  
 D641,628 S 7/2011 Baughmann  
 D644,337 S 8/2011 Belfance et al.  
 D644,739 S 9/2011 Belfance et al.  
 D644,740 S 9/2011 John et al.  
 8,051,998 B1 11/2011 Giraud  
 D654,366 S 2/2012 Presche et al.  
 D656,236 S 3/2012 Marechal et al.  
 8,372,015 B2 2/2013 Escutia  
 D690,200 S 9/2013 Arand  
 D694,100 S 11/2013 Schneider et al.  
 D695,541 S 12/2013 Dunn et al.  
 D709,624 S 7/2014 Baum  
 8,800,809 B2 8/2014 Portier  
 D715,507 S 10/2014 van Pruyssen  
 D716,653 S 11/2014 Balembois  
 8,875,919 B2 \* 11/2014 Rault ..... B29C 45/14  
 215/305  
 D722,689 S 2/2015 Miceli  
 D729,010 S 5/2015 Logel et al.  
 D730,734 S 6/2015 Rapparini

D736,621 S 8/2015 Ivancic  
 D737,678 S 9/2015 Danenberg  
 D741,035 S 10/2015 van Pruyssen  
 D744,335 S 12/2015 Rigollet  
 D752,975 S 4/2016 Gatto  
 D766,716 S \* 9/2016 Logel ..... D9/434  
 2005/0252878 A1 11/2005 Babcock  
 2008/0217337 A1 \* 9/2008 Rault ..... B65D 43/165  
 220/266  
 2010/0051636 A1 \* 3/2010 Logel ..... B65D 43/169  
 220/834  
 2010/0224646 A1 9/2010 Incorvia et al.  
 2010/0282783 A1 11/2010 Baughmann et al.  
 2011/0000930 A1 \* 1/2011 Logel ..... B65D 43/162  
 220/849  
 2011/0210021 A1 \* 9/2011 Logel ..... G01N 33/48778  
 206/223  
 2014/0110293 A1 4/2014 Dunn et al.  
 2014/0319162 A1 \* 10/2014 Bois ..... B65D 43/169  
 220/849  
 2015/0053579 A1 \* 2/2015 Lebon ..... B65D 81/264  
 206/204  
 2015/0283031 A1 10/2015 Lanier

FOREIGN PATENT DOCUMENTS

EM 002023994-0002 \* 4/2012  
 WO D067982-001 4/2006  
 WO D069747-001 2/2008  
 WO D070355-002 7/2008

OTHER PUBLICATIONS

U.S. Appl. No. 29/490,099, filed May 6, 2014, Lebon.  
 U.S. Appl. No. 29/490,104, filed May 6, 2014, Lebon.  
 U.S. Appl. No. 29/490,108, filed May 6, 2014, Lebon.  
 U.S. Appl. No. 29/489,583, filed Apr. 30, 2014, Logel et al.  
 U.S. Appl. No. 29/503,018, filed Sep. 22, 2014, Bois.  
 U.S. Appl. No. 29/503,016, filed Sep. 22, 2014, Bois.  
 U.S. Appl. No. 29/506,432, filed Oct. 15, 2014, Logel et al.  
 U.S. Appl. No. 29/506,437, filed Oct. 15, 2014, Logel et al.  
 U.S. Appl. No. 29/507,653, filed Oct. 29, 2014, Logel et al.  
 U.S. Appl. No. 29/512,222, filed Dec. 17, 2014, Bois.  
 U.S. Appl. No. 29/518,762, filed Feb. 26, 2015, Lebon.  
 Container w/ Lid. Jan. 23, 2014, visited Sep. 29, 2016. <URL:http://www.webstaurantstore.com/2-qt-microwavable-translucent-plastic-deli-container-with-lid-10-pack/1286064%20%20%20%20COMBOKIT.html?utm\_source=Google&utm\_medium=cpc&utm\_campaign=GoogleShopping&gclid=CjwKEAajw97K\_BRCwmNTK26iM-hMSJABrkNtbsDXaq7mPh36UHz-gOuS18fnp85mFStl3kFG47xTlfRoCfETw\_wcB>.  
 Vacuum Sealer Advice. Best Food Storage Containers. Jan. 23, 2016 [earliest online date], [site visited Sep. 29, 2016]. Available from Internet, <URL:http://www.vacuumsealeradvice.com/best-food-storage-containers/>.

\* cited by examiner



FIGURE 1

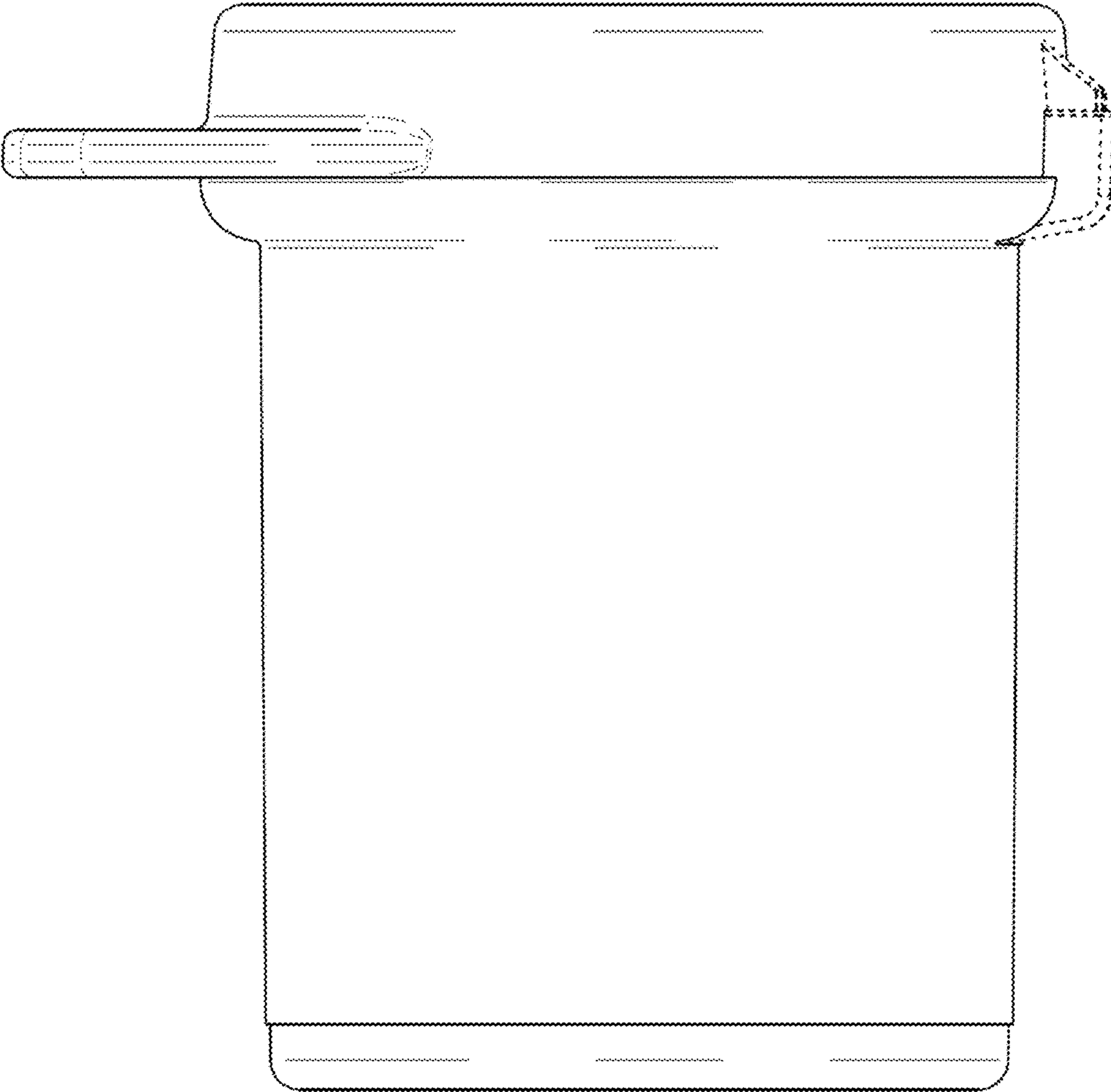


FIGURE 2

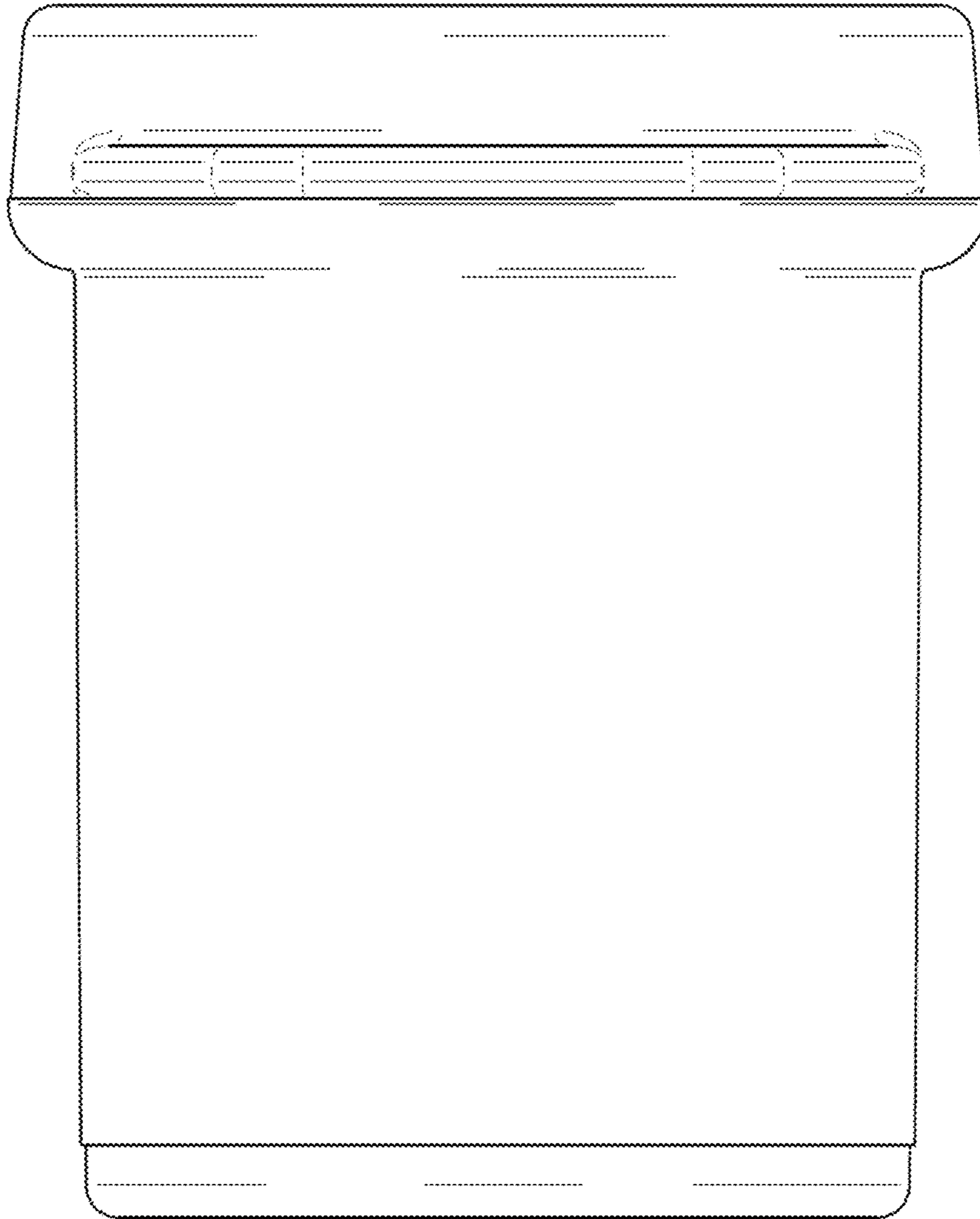


FIGURE 3

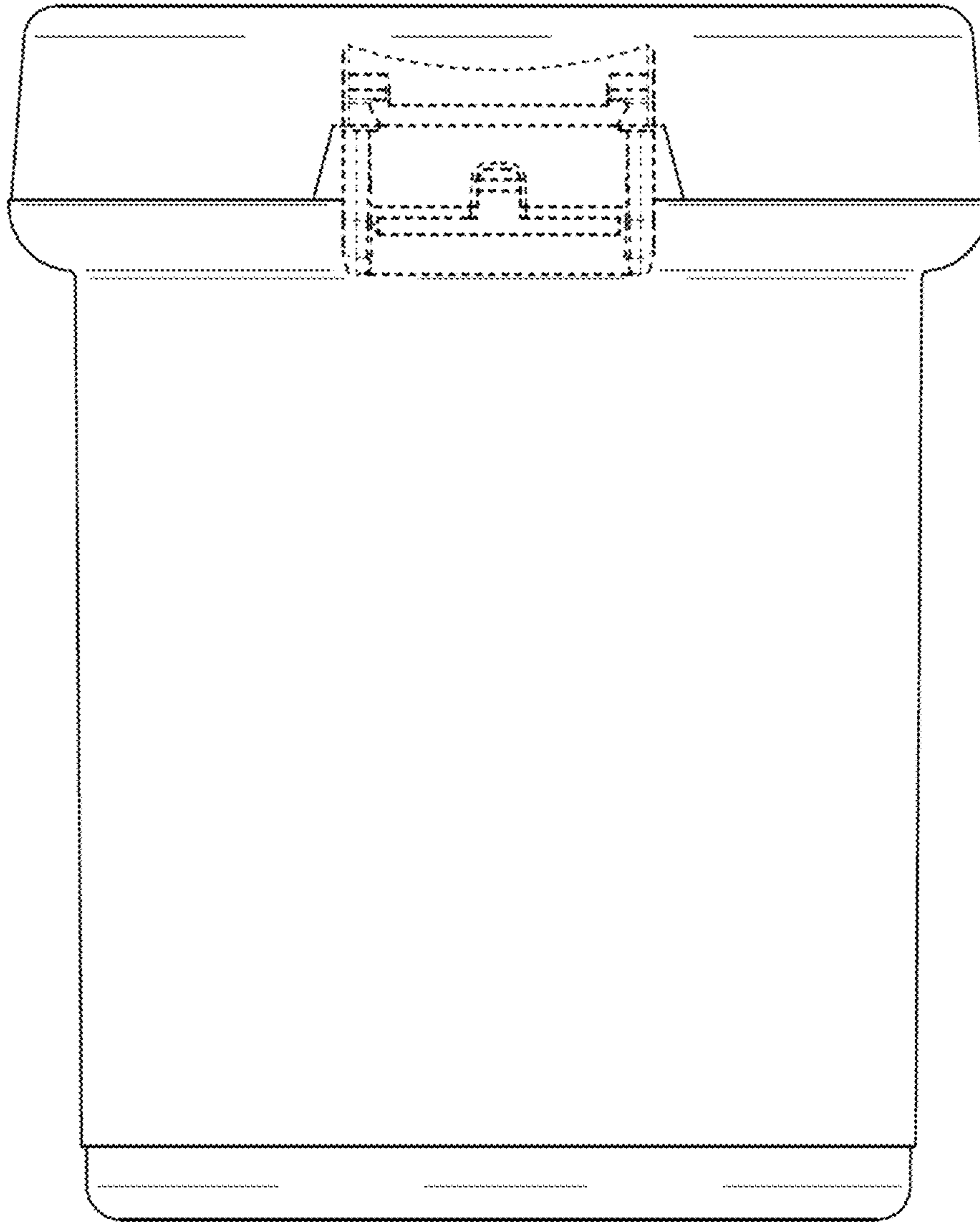


FIGURE 4

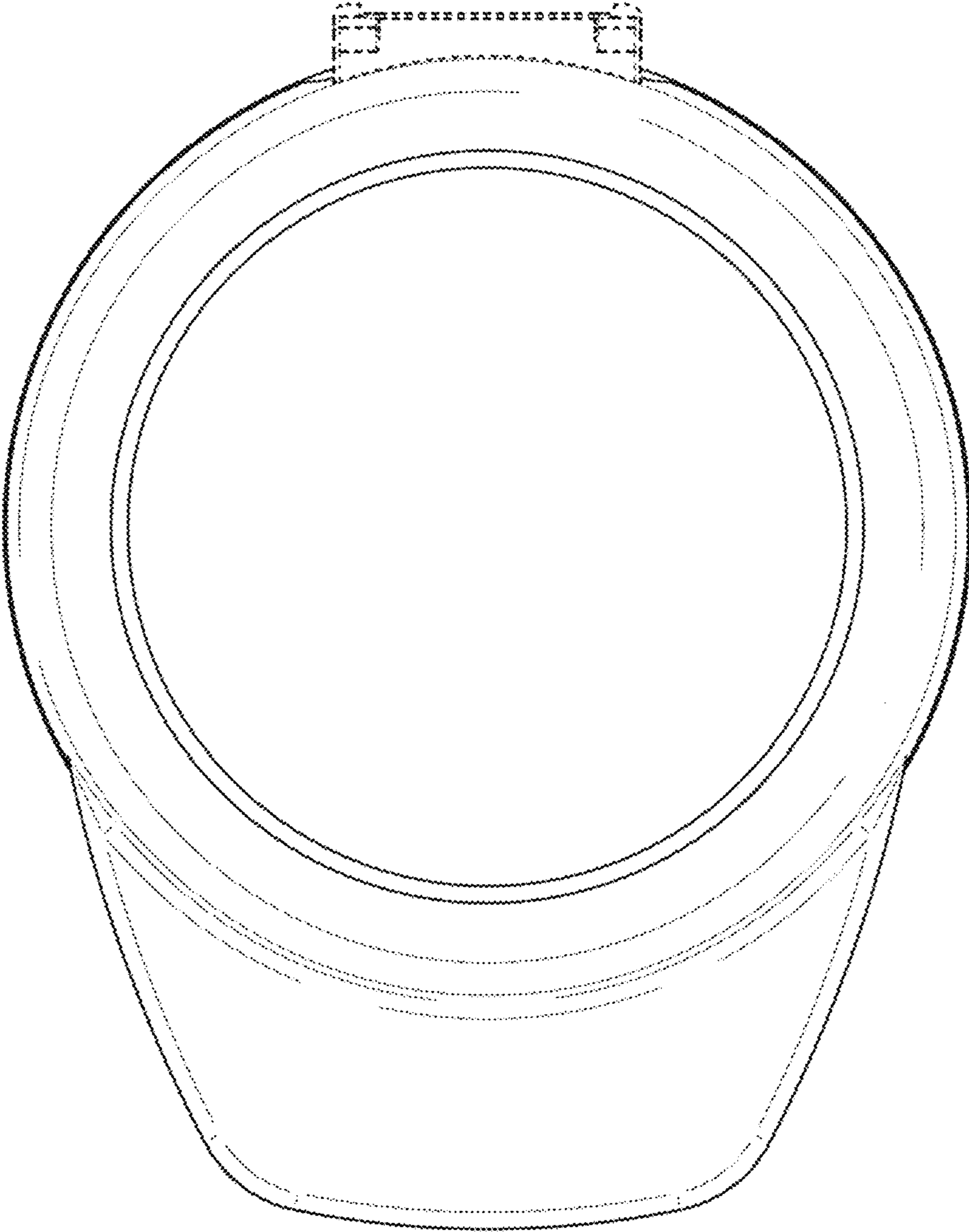


FIGURE 5

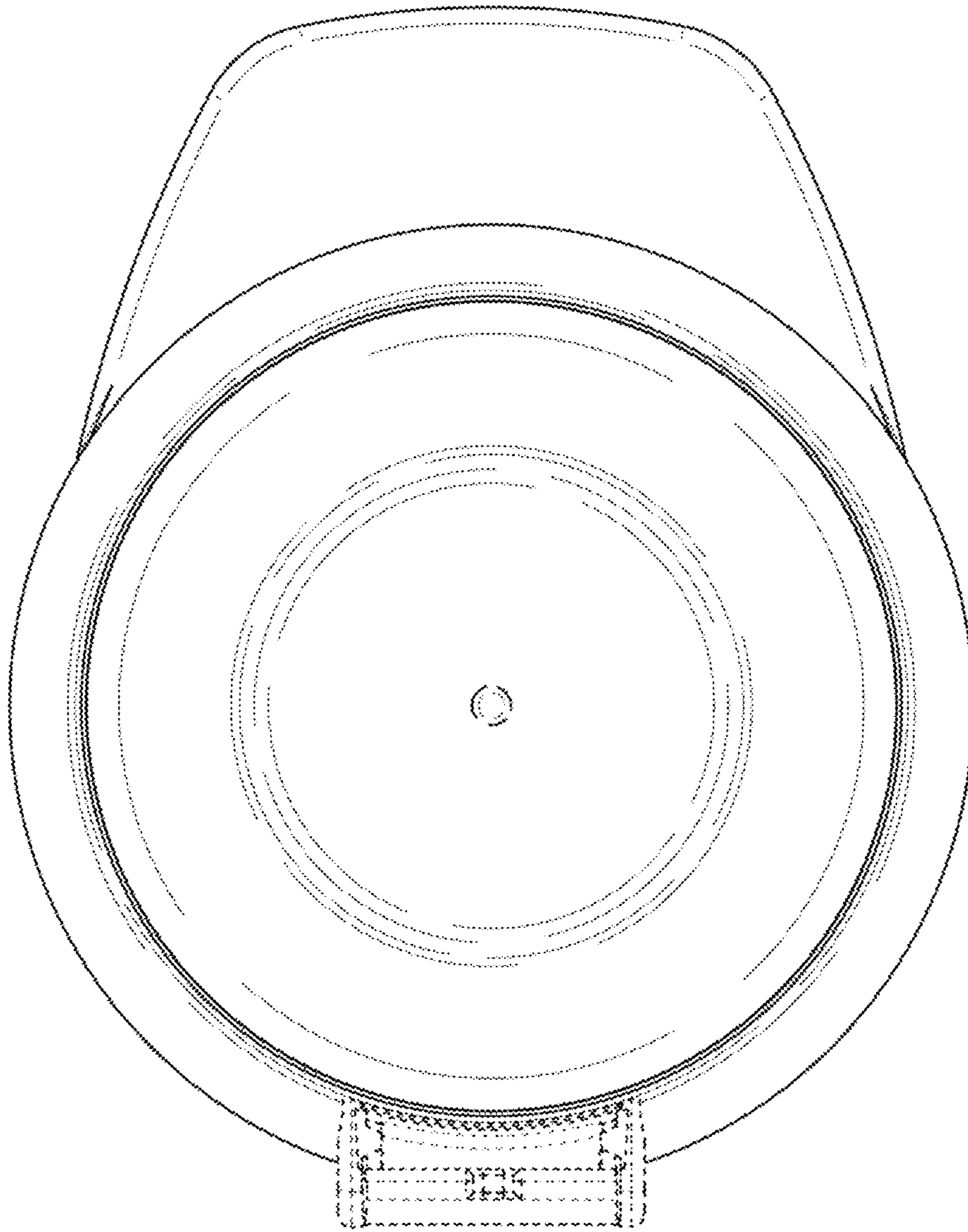


FIGURE 6



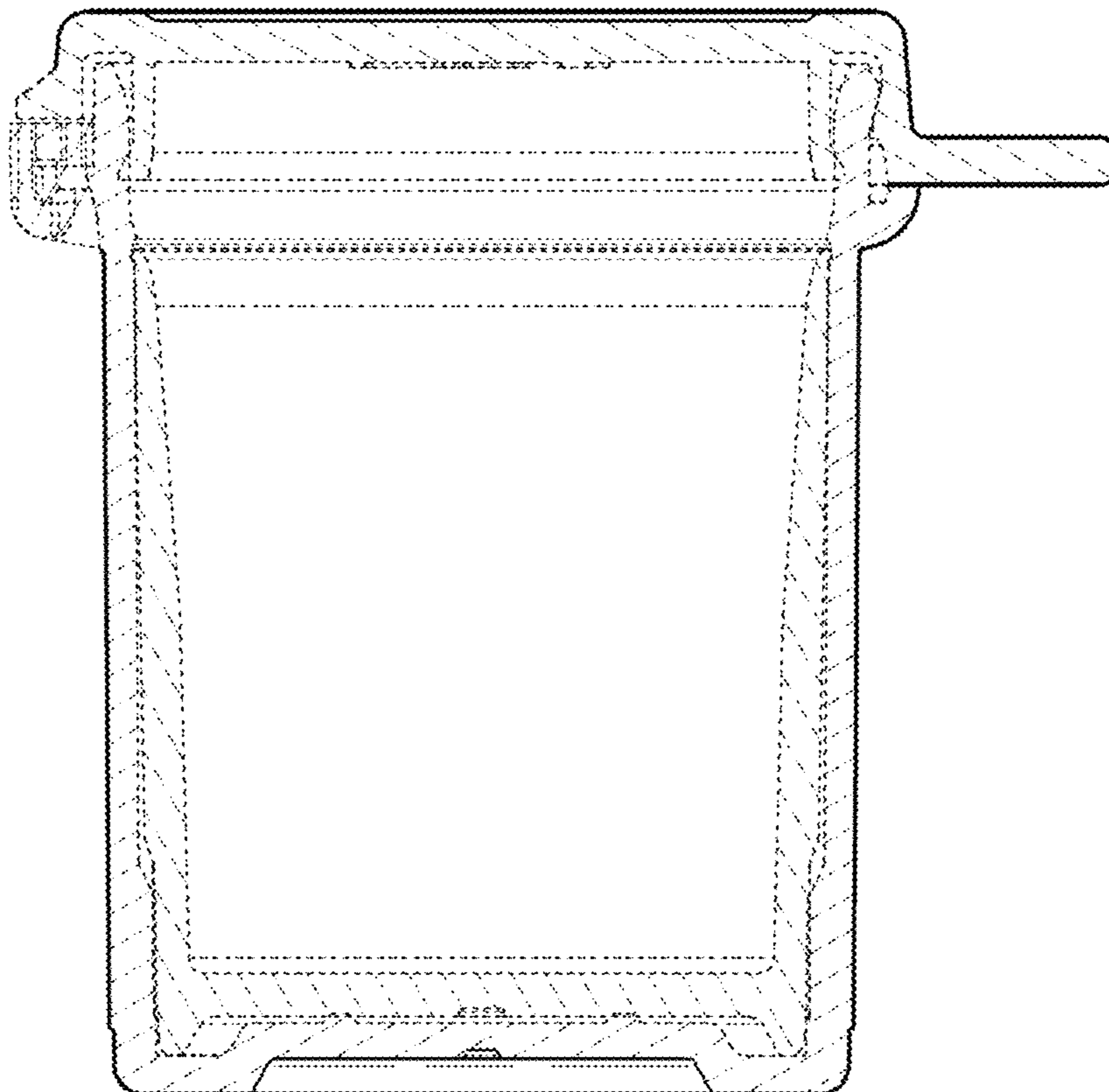


FIGURE 7