

US00D793234S

(12) **United States Design Patent**
Fleming

(10) **Patent No.: US D793,234 S**

(45) **Date of Patent: ** Aug. 1, 2017**

(54) **STORAGE BOX WITH DISPLAY**

(71) Applicant: **Jeanine Fleming**, Plano, TX (US)

(72) Inventor: **Jeanine Fleming**, Plano, TX (US)

(**) Term: **15 Years**

(21) Appl. No.: **29/533,852**

(22) Filed: **Jul. 22, 2015**

(51) **LOC (10) Cl.** **09-03**

(52) **U.S. Cl.**
USPC **D9/457**; D9/418

(58) **Field of Classification Search**
USPC D5/55, 99; D9/414, 415, 418, 432,
D9/434-436, 455-457, 499, 702, 707,
D9/748; D19/1, 100; D20/22, 27, 43
CPC B65D 5/526; B65D 27/36
See application file for complete search history.

(56) **References Cited**

U.S. PATENT DOCUMENTS

3,200,983 A	8/1965	Walter	
D283,087 S	3/1986	Lutz	
D368,588 S	4/1996	Goraleski et al.	
D373,308 S	* 9/1996	Chapman	D9/415
D388,468 S	* 12/1997	Rife	D20/42
D447,937 S	* 9/2001	Tsuruishi	D9/415
D449,944 S	11/2001	Wolf	
D451,802 S	12/2001	Dardashti	
D452,153 S	12/2001	Dardashti	
D531,494 S	* 11/2006	Papiri	D9/415
D604,983 S	* 12/2009	Rossell	D19/3
D670,343 S	* 11/2012	Byford	D20/43
D681,110 S	* 4/2013	Sato	D19/1
D702,114 S	* 4/2014	Smith	D9/414
D709,759 S	* 7/2014	Ivancic	D9/418
D715,360 S	* 10/2014	Turner	D20/43
D717,872 S	* 11/2014	Byford	D20/43

(Continued)

FOREIGN PATENT DOCUMENTS

CN	302847424	6/2014
GB	2062440	4/1997
JP	1120240	9/2001

OTHER PUBLICATIONS

Live Love Latte. Inspired Project Organization {Jewelry Boutique} #21 of 30; pp. 28 and 29. Jan. 17, 2014 [earliest online date], [site visited Nov. 3, 2016]. Available from Internet, <URL:http://livelovelatte.net/page/12/>.*

(Continued)

Primary Examiner — Robert M Spear
Assistant Examiner — Darcey E Heflin
(74) *Attorney, Agent, or Firm* — Conley Rose, P.C.;
Kristin Jordan Harkins

(57) **CLAIM**

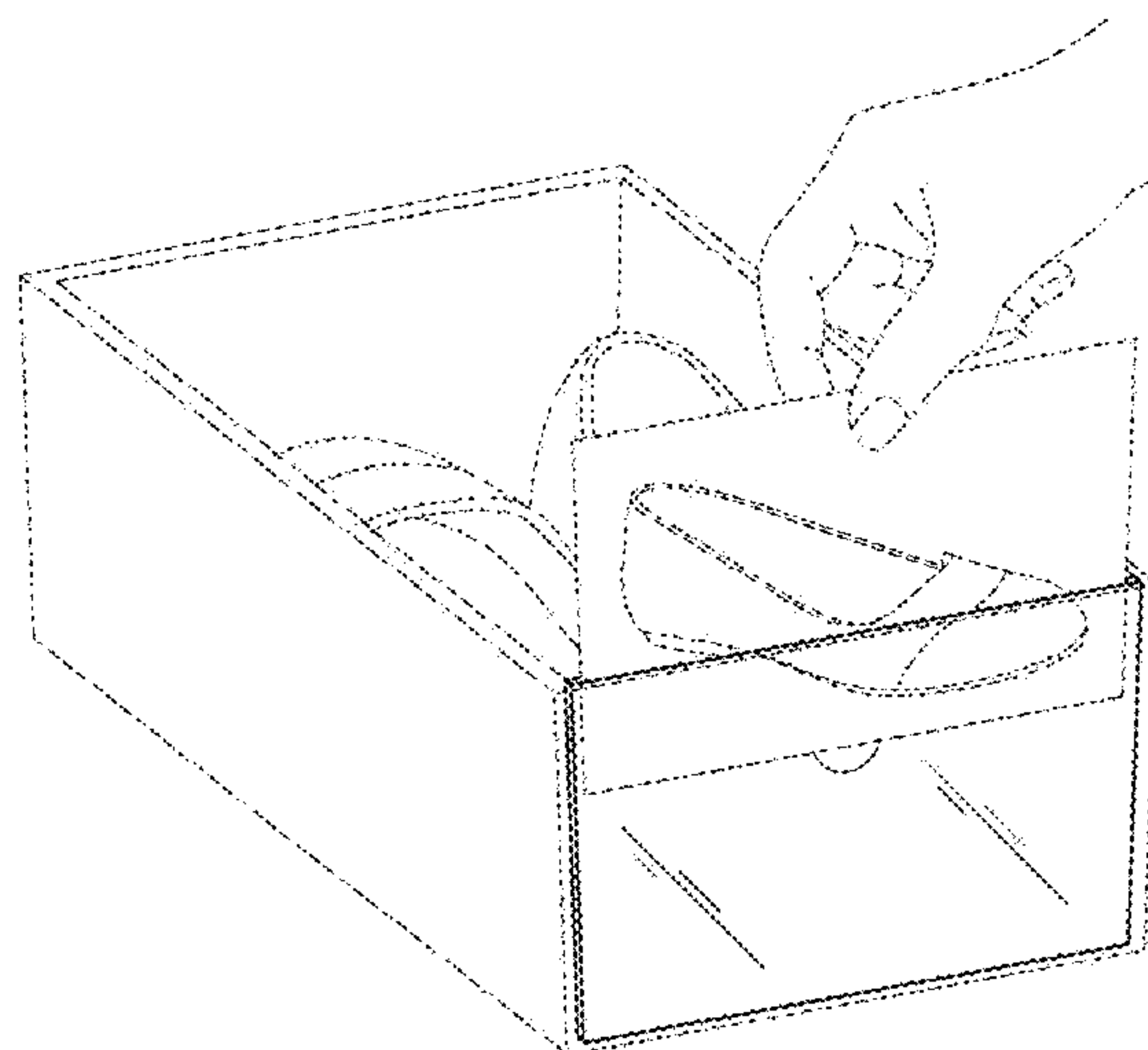
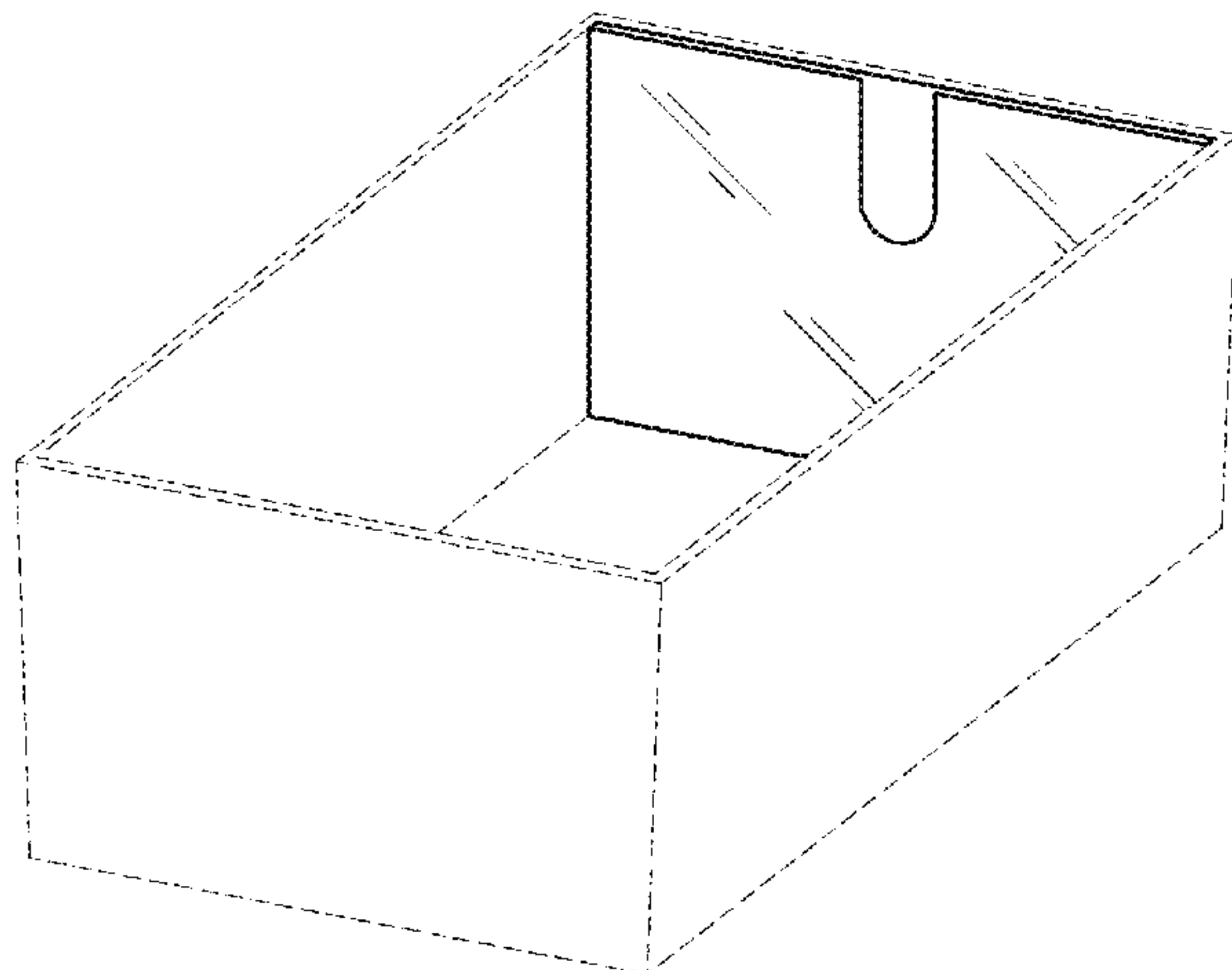
The ornamental design for a storage box with display, as shown and described.

DESCRIPTION

FIG. 1 is a rear perspective view of a first embodiment of a storage box with display in accordance with our new design, shown with a pair of shoes in the box; FIG. 2 is another rear perspective view of the storage box with display, shown without a pair of shoes in the box; FIG. 3 is a top elevation view thereof; FIG. 4 is a bottom elevation view thereof; FIG. 5 is a side elevation view thereof; FIG. 6 is another side elevation view thereof; FIG. 7 is a front elevation view thereof; FIG. 8 is a rear elevation view thereof; and, FIG. 9 is a front perspective view thereof depicting a display photo or card being inserted into the storage box with display.

The broken lines shown in the drawings are only provided to illustrate the environment of the design, and form no part of the claimed design.

1 Claim, 5 Drawing Sheets



(56)

References Cited

U.S. PATENT DOCUMENTS

D729,318 S * 5/2015 Maman D20/42
D740,118 S * 10/2015 Kawai D20/27
D752,682 S * 3/2016 Sato D19/1
D778,366 S * 2/2017 Kott D20/43

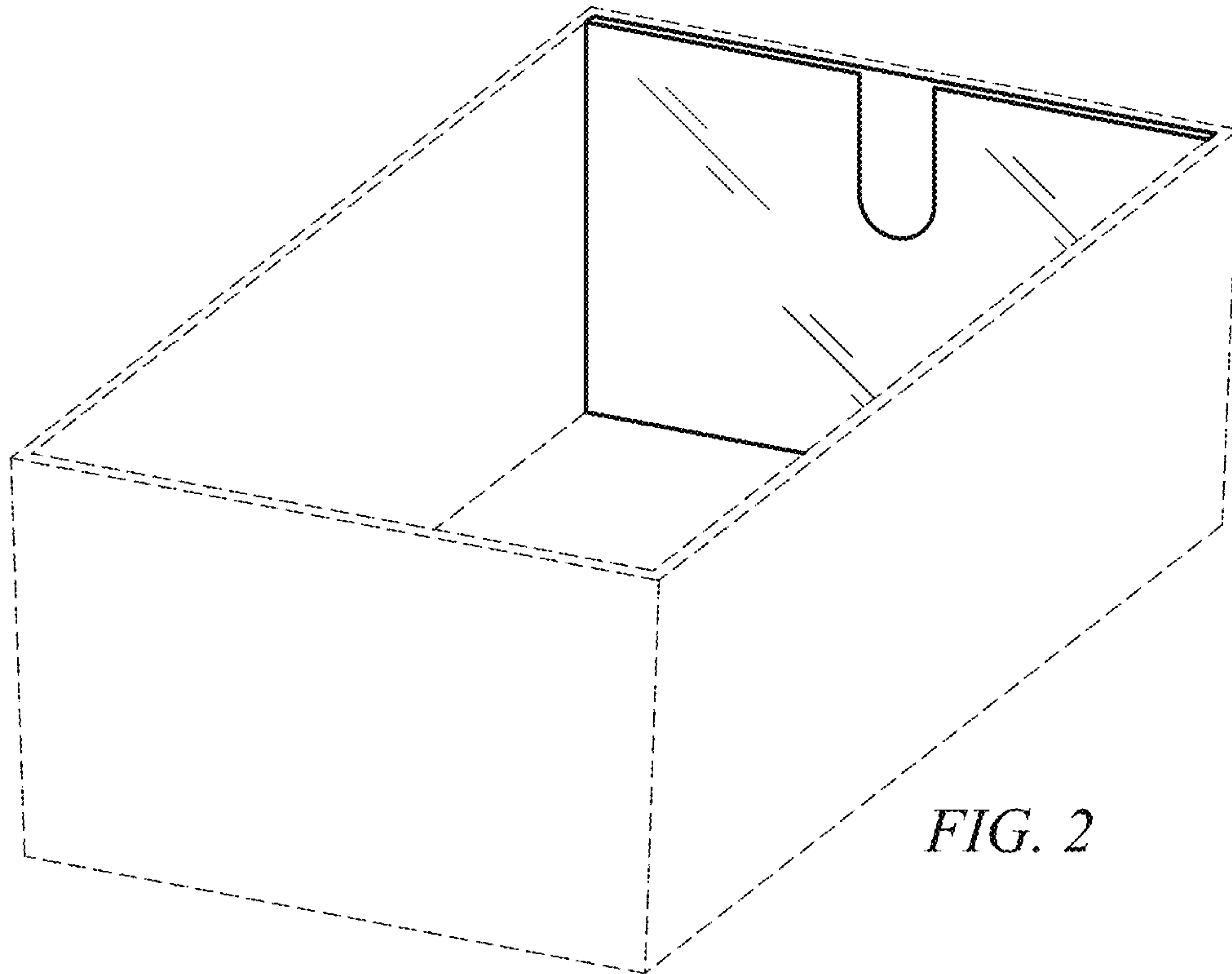
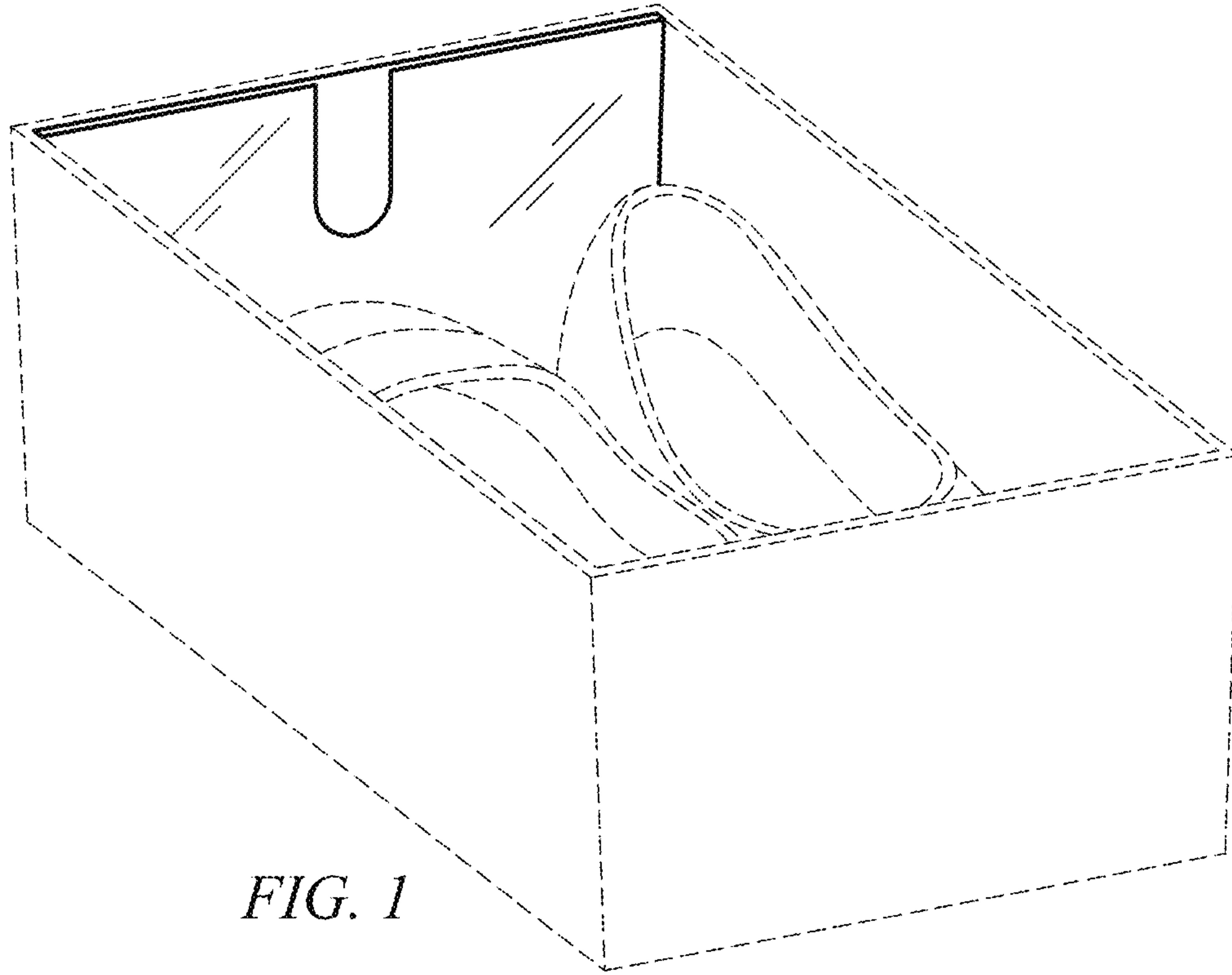
OTHER PUBLICATIONS

Staples. Azar Acrylic Wall Mount Brochure Holder. Oct. 23, 2014 [earliest online date], [site visited Feb. 21, 2017]. Available from Internet, <URL:http://www.staples.com/Azar-Acrylic-Wall-Mount-Brochure-Holder-15-75-x-23-75-2-Pack-252069-/product_82950>.*

Staples. FFR Merchandising Tru-Vu Easel Styrene Sign Holder with Side Pocket. 2016 [earliest online date], [site visited Feb. 21, 2017]. Available from Internet, <URL:http://www.staples.com/FFR-Merchandising-Tru-Vu-Easel-Styrene-Sign-Holder-with-Side-Pocket-12-5-/product_243283>.*

Acletong Supplier. Acrylic Menu Books Restaurant Covers Display Table. 2017 [earliest online date], [site visited Feb. 21, 2017]. Available from Internet, <URL:<http://www.acletongsupplier.texascatalog.us/item-detail/acrylic-menu-books-restaurant-covers-display-table.acletong>>.*

* cited by examiner



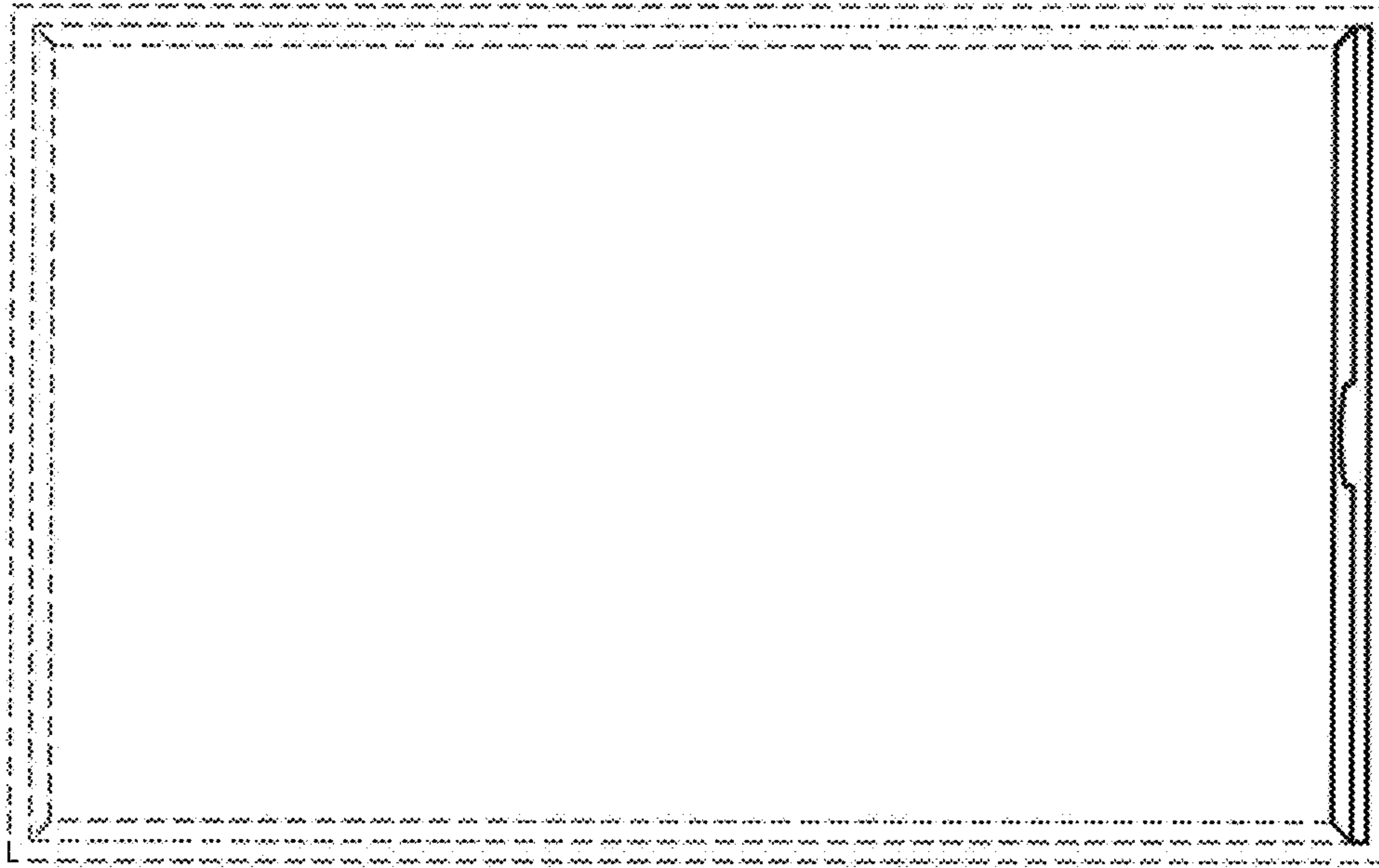


FIG. 3

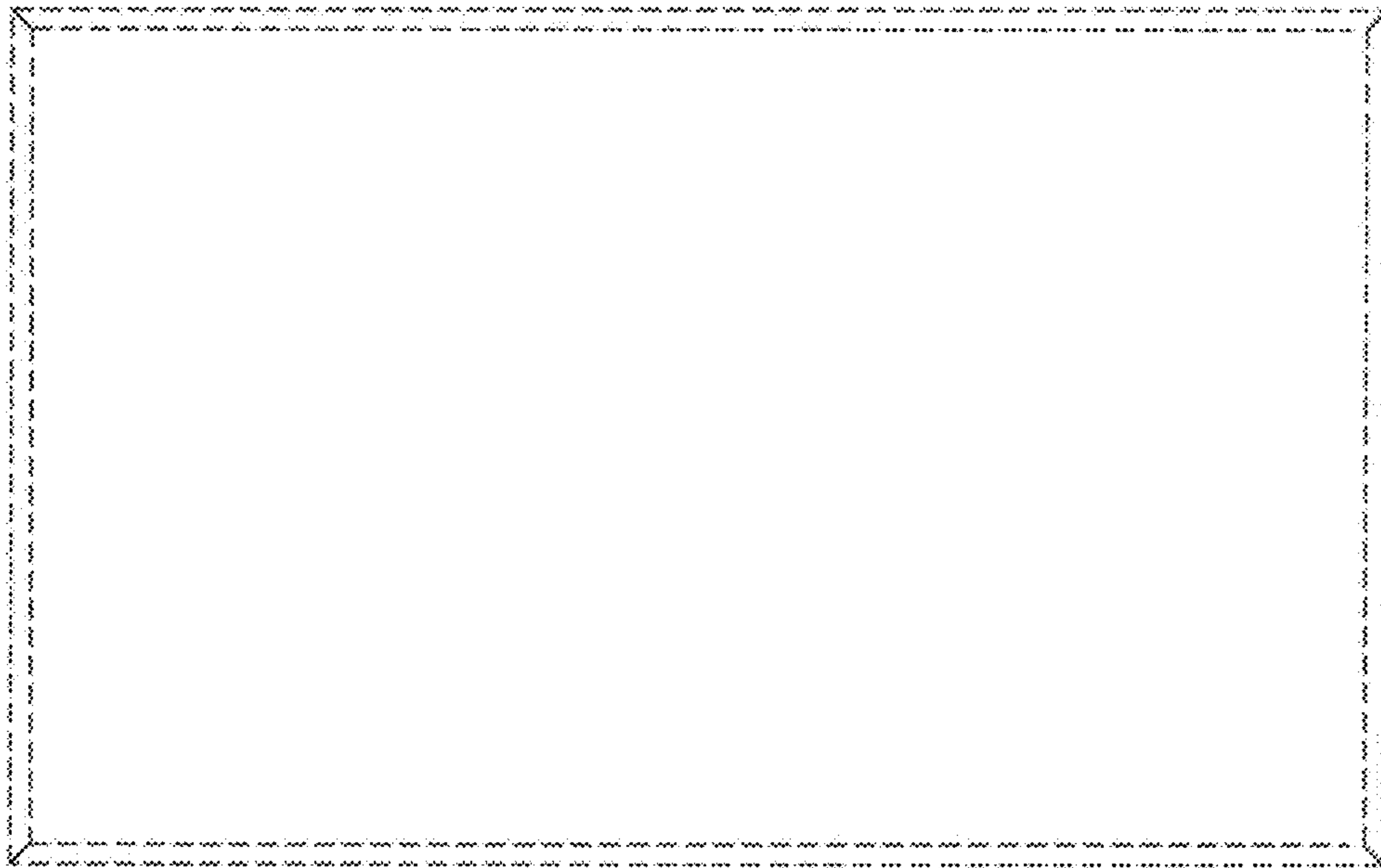


FIG. 4



FIG. 5

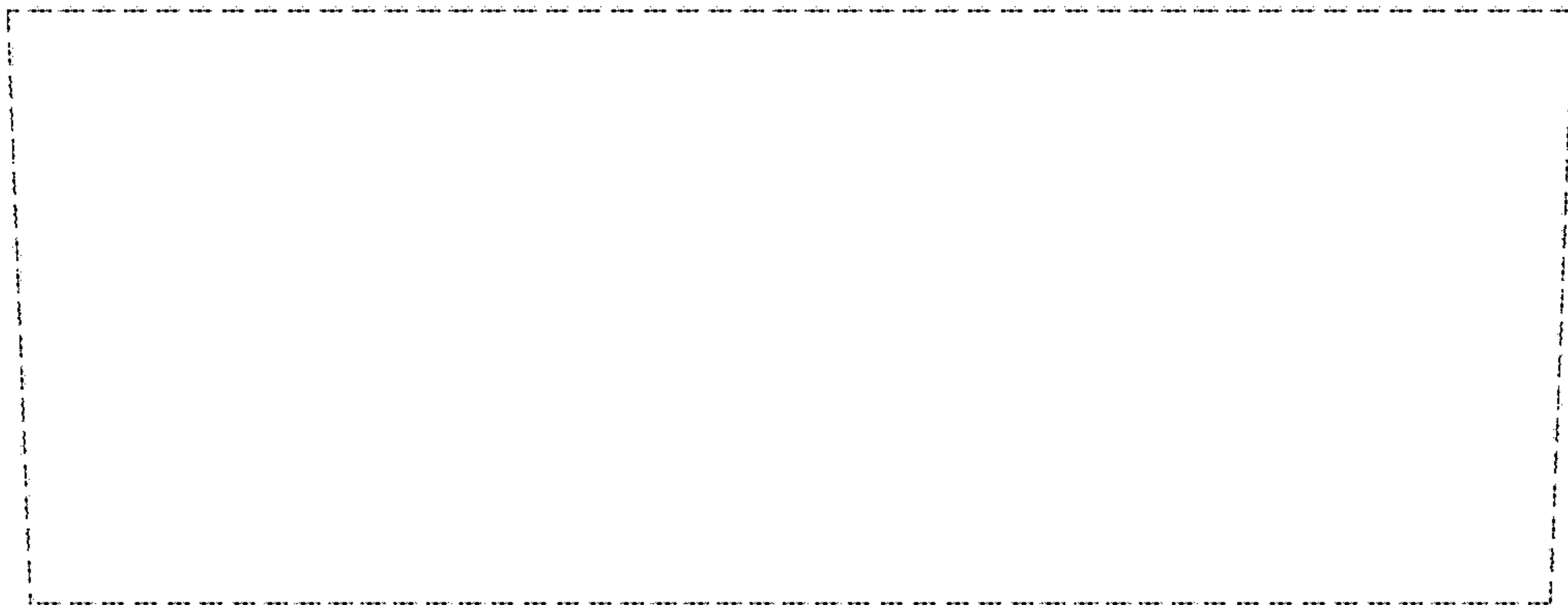


FIG. 6

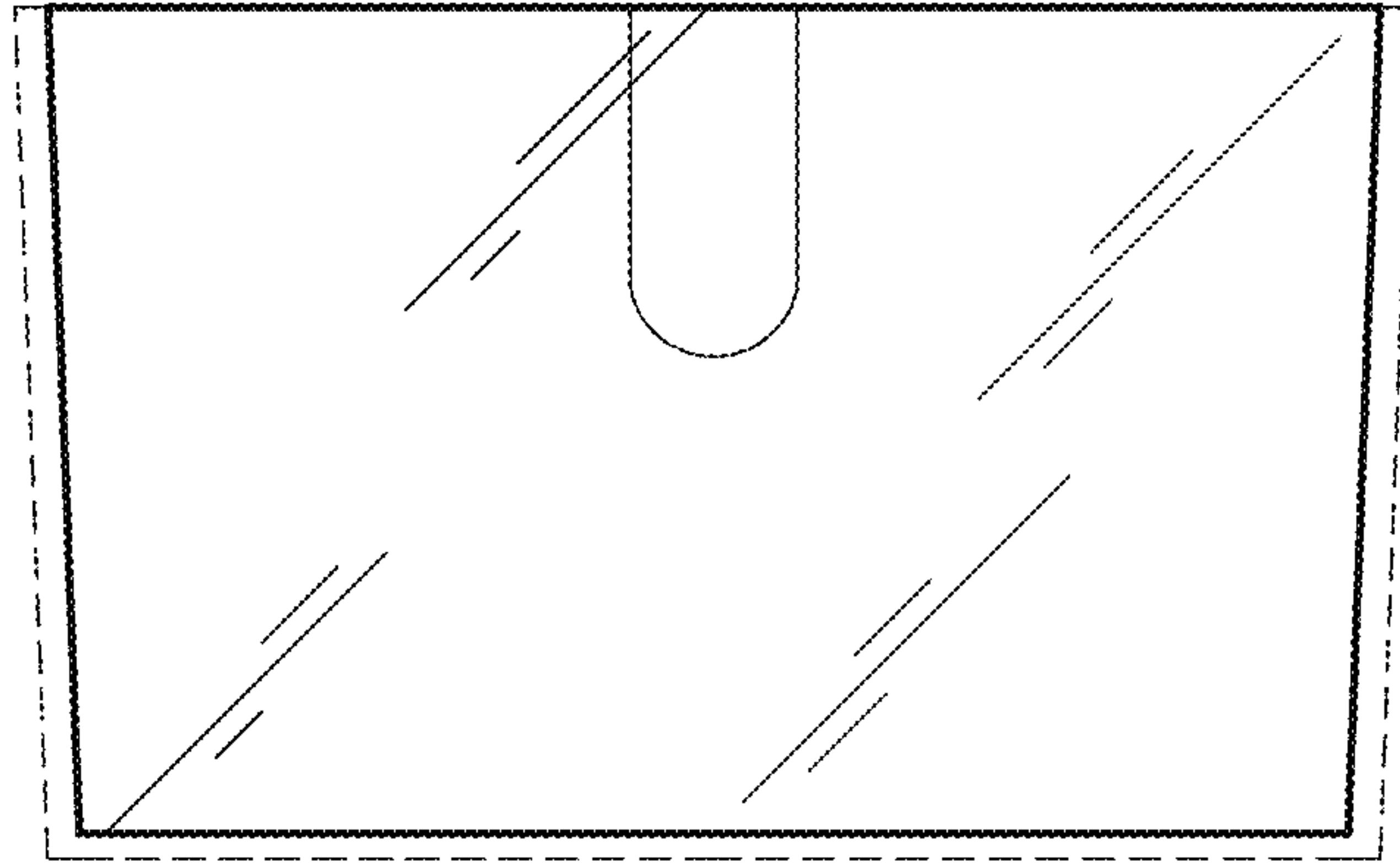


FIG. 7



FIG. 8

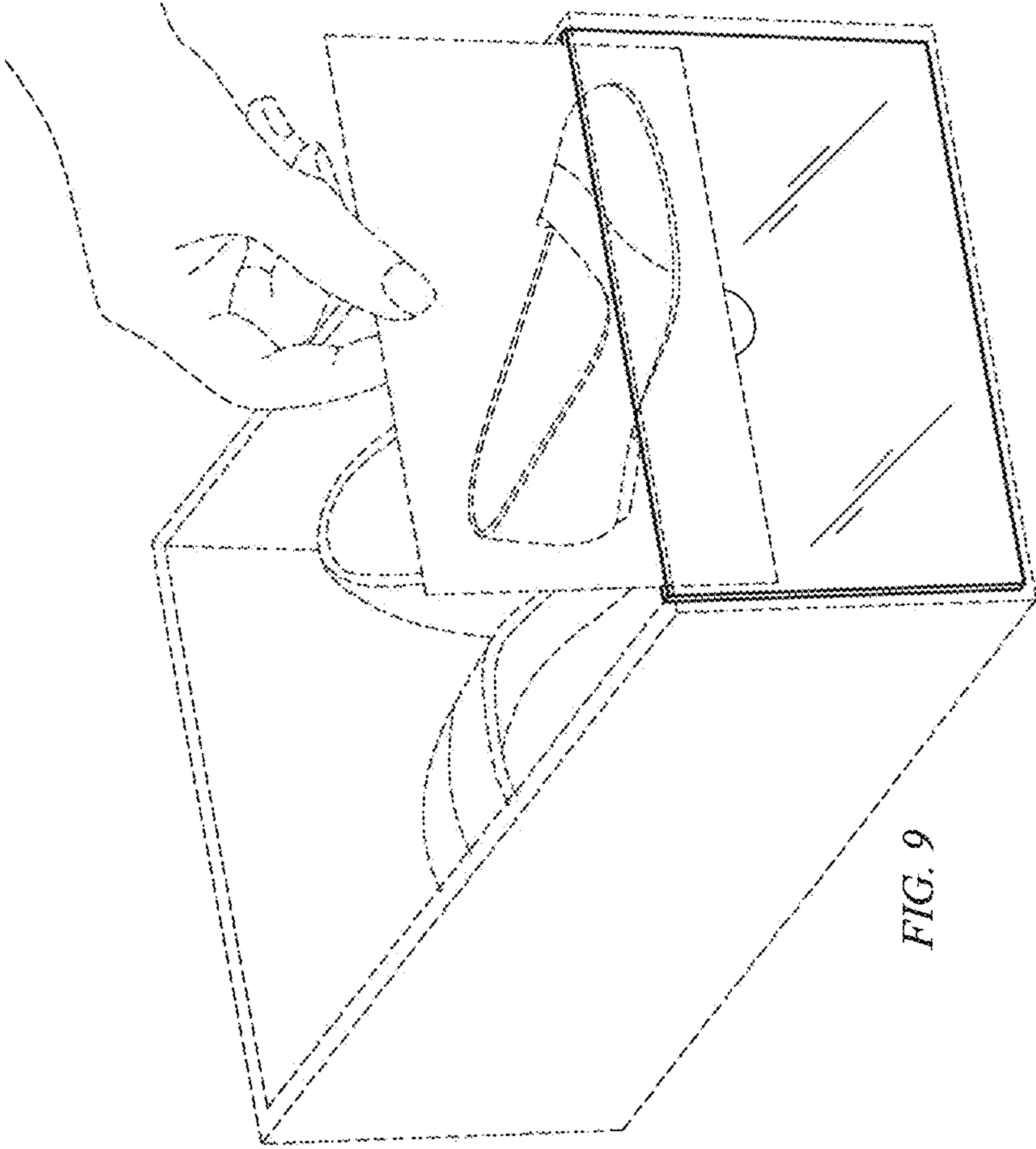


FIG. 9

UNITED STATES PATENT AND TRADEMARK OFFICE
CERTIFICATE OF CORRECTION

PATENT NO. : D793,234 S
APPLICATION NO. : 29/533852
DATED : August 1, 2017
INVENTOR(S) : Jeanine Fleming

Page 1 of 1

It is certified that error appears in the above-identified patent and that said Letters Patent is hereby corrected as shown below:

On the Title Page

Item (57) Description

Line 2: "storage box with display" should be "Storage Box with Display"

Line 4: "storage box with display" should be "Storage Box with Display"

Line 13: "storage box with display" should be "Storage Box with Display"

Signed and Sealed this
Seventh Day of November, 2017



Joseph Matal

*Performing the Functions and Duties of the
Under Secretary of Commerce for Intellectual Property and
Director of the United States Patent and Trademark Office*