



US00D793232S

(12) **United States Design Patent** (10) **Patent No.:** **US D793,232 S**
Buck (45) **Date of Patent:** **** Aug. 1, 2017**

(54) **BEVERAGE LID WITH FOOD CONTAINER**

(71) Applicant: **Ronald Mark Buck**, Encinitas, CA (US)

(72) Inventor: **Ronald Mark Buck**, Encinitas, CA (US)

(73) Assignee: **SNACKTOPS, INC.**, Carlsbad, CA (US)

(**) Term: **15 Years**

(21) Appl. No.: **29/577,533**

(22) Filed: **Sep. 13, 2016**

(51) **LOC (10) Cl.** **09-07**

(52) **U.S. Cl.**
USPC **D9/449**

(58) **Field of Classification Search**
USPC D9/414, 417, 428, 432, 434, 435, D9/443-450, 452-456, 499, 682-685; D7/387, 392, 392.1, 393, 396.1-396.4, D7/398, 401.1, 507, 509-511, 538, 900; D3/202, 294, 318; D28/91.1; D6/580, D6/699, 699.4, 702; D8/349, 354, 382, D8/107, 300, 321, 322
CPC .. A61J 1/00; A61J 1/1412; B65D 1/00; B65D 1/02; B65D 1/10; B65D 1/46; B65D 2585/56; B65D 2585/545; B65D 41/00; B65D 41/38; B65D 41/56; B65D 41/62; B65D 47/00; B65D 47/06; B65D 47/08; B65D 2543/00046; B65D 2543/00092; B65D 2543/00296; B65D 5/46; B65D 2251/00

See application file for complete search history.

(56) **References Cited**

U.S. PATENT DOCUMENTS

D285,656 S * 9/1986 Champion D7/511
D291,779 S * 9/1987 Inaba D9/445

D313,462 S * 1/1991 Hart D23/225
D416,171 S * 11/1999 Cautereels D7/392
D440,155 S * 4/2001 Schaefer D7/392.1
D449,986 S * 11/2001 Schaefer D9/434

(Continued)

Primary Examiner — Karen S Acker

Assistant Examiner — Wendy Arminio

(74) *Attorney, Agent, or Firm* — Manuel de la Cerra

(57) **CLAIM**

The ornamental design for a beverage lid with food container, as shown and described.

DESCRIPTION

FIG. 1 is a top perspective view of a first embodiment of a beverage lid with food container.

FIG. 2 is an exploded top perspective view of the design of FIG. 1 showing the manner of assembly of the two parts.

FIG. 3 is an exploded bottom perspective view thereof.

FIG. 4 is an exploded top perspective view of a second embodiment of a beverage lid with food container shown made of transparent material and showing the manner of assembly of the two parts.

FIG. 5 is an exploded bottom perspective view thereof.

FIG. 6 is a top perspective view of the design of FIG. 1 shown in a position of use attached to an unclaimed beverage container and straw.

FIG. 7 is an exploded top perspective view thereof, showing the manner of assembly of the design of FIG. 1 with an unclaimed beverage container and straw.

FIG. 8 is a top view of both parts of the design of FIG. 1. FIG. 9 is a bottom view thereof.

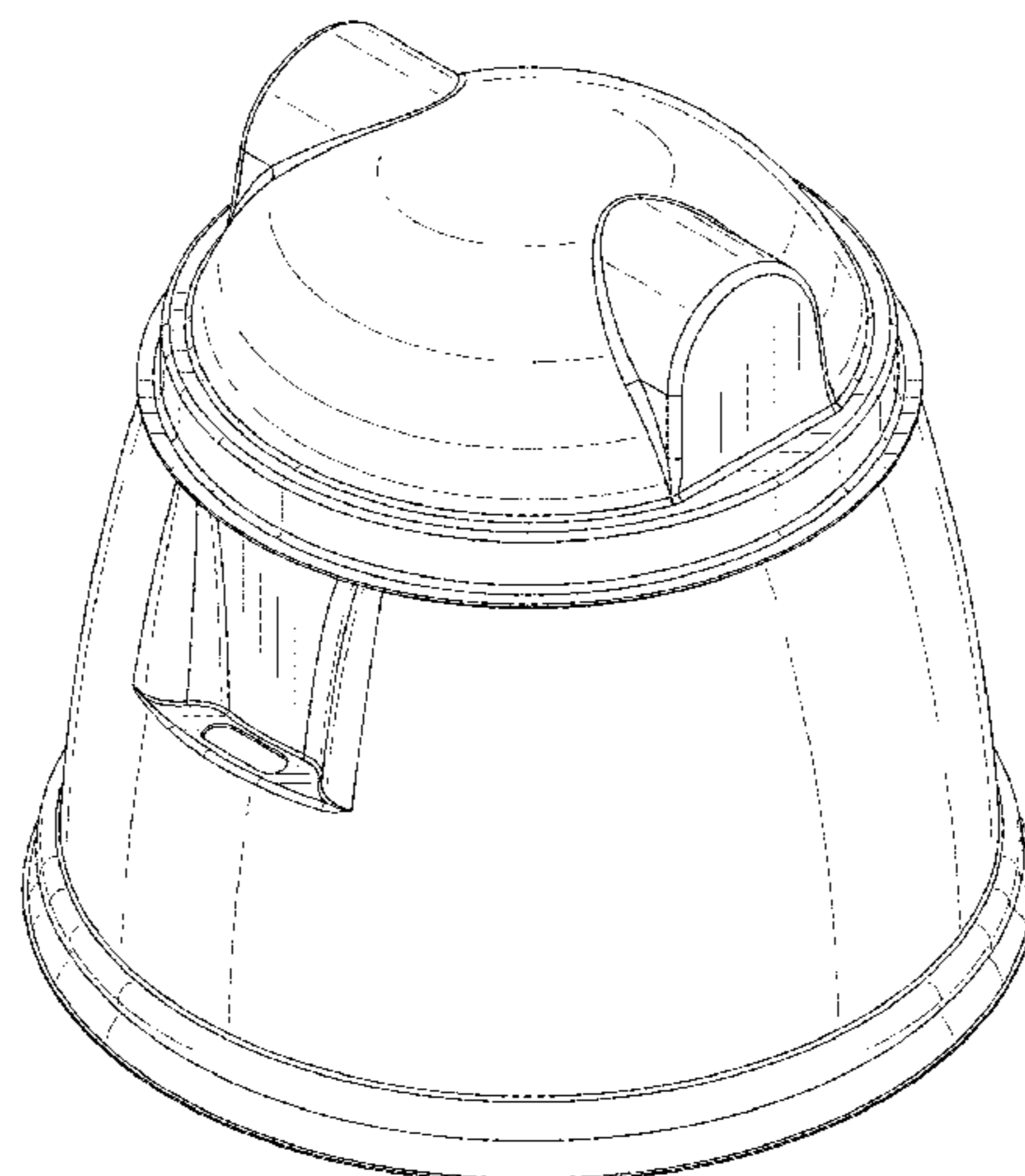
FIG. 10 is a front view thereof.

FIG. 11 is a rear view thereof; and,

FIG. 12 is a left-side view thereof; (the right-side view is a mirror image).

The broken lines of FIGS. 6 and 7 depict environmental subject matter that forms no part of the claimed design.

1 Claim, 11 Drawing Sheets



(56)

References Cited

U.S. PATENT DOCUMENTS

6,357,619 B1 * 3/2002 Schaefer B65D 43/0212
 220/709
 D554,432 S * 11/2007 Roth D7/510
 D595,537 S * 7/2009 Mansfield 206/219
 D643,285 S * 8/2011 Zomorodi D9/429
 8,011,205 B2 * 9/2011 Roth A47J 41/0044
 62/457.6
 8,070,011 B2 * 12/2011 Fukano B65D 51/1605
 220/367.1
 D663,203 S * 7/2012 Bodkin D9/436
 D668,153 S * 10/2012 Mavin D9/443
 D703,043 S * 4/2014 Kovitz D9/435
 D705,654 S * 5/2014 Wurth D21/654
 D764,291 S * 8/2016 Lemke D9/436
 D775,957 S * 1/2017 Hunt D7/629
 D777,032 S * 1/2017 Buck D9/447
 D784,072 S * 4/2017 Baron D7/392.1
 2008/0105681 A1 * 5/2008 Vovan B65D 21/0222
 220/288
 2013/0068772 A1 * 3/2013 Durdon B65D 43/0212
 220/521
 2013/0119065 A1 * 5/2013 Buck A47G 19/2205
 220/523
 2013/0305515 A1 * 11/2013 Miller B65D 51/24
 29/428
 2014/0030390 A1 * 1/2014 Coyle B65D 43/02
 426/108
 2016/0009465 A1 * 1/2016 Pan B65D 51/28
 220/212

* cited by examiner

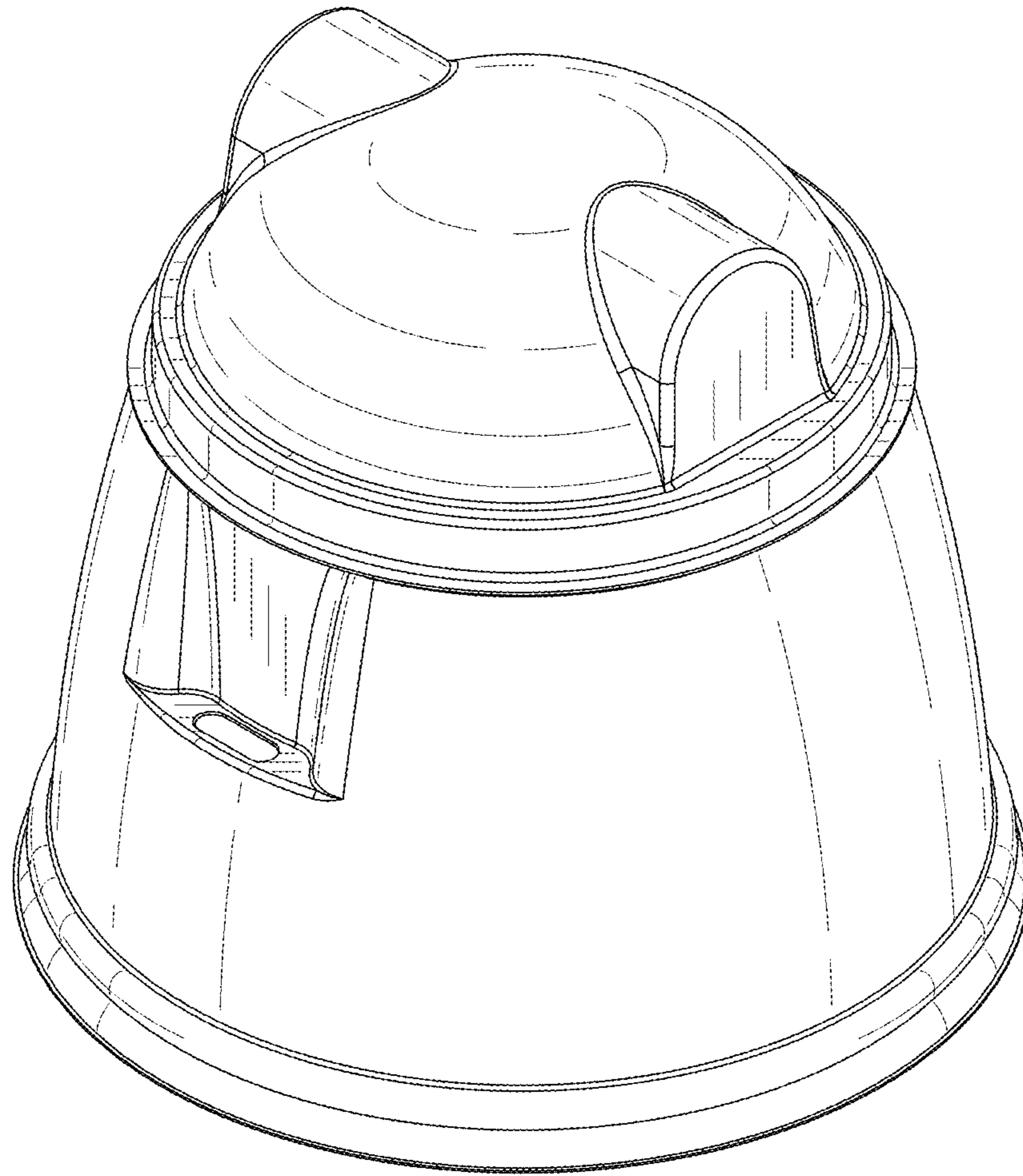


FIG. 1

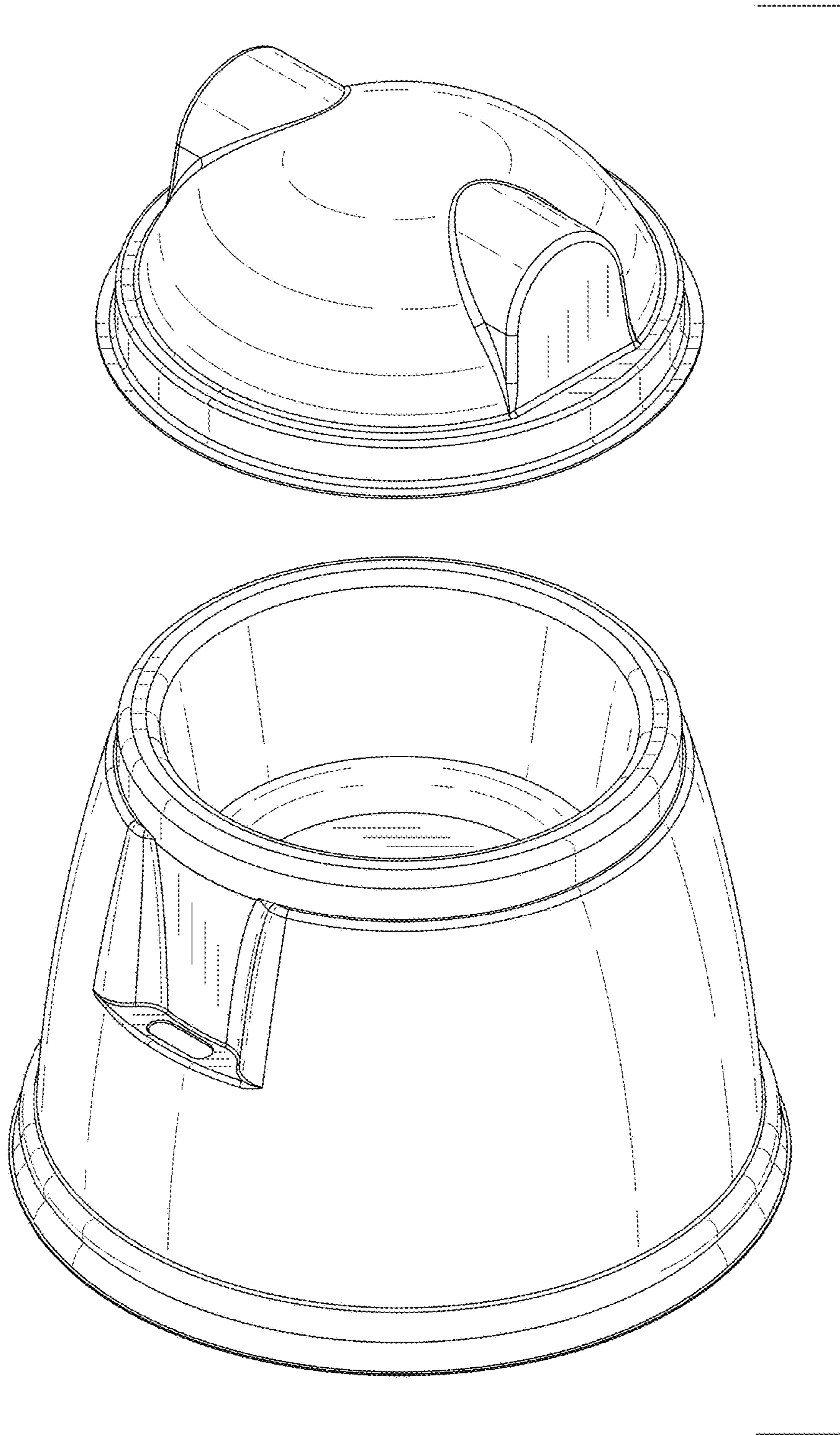


FIG. 2

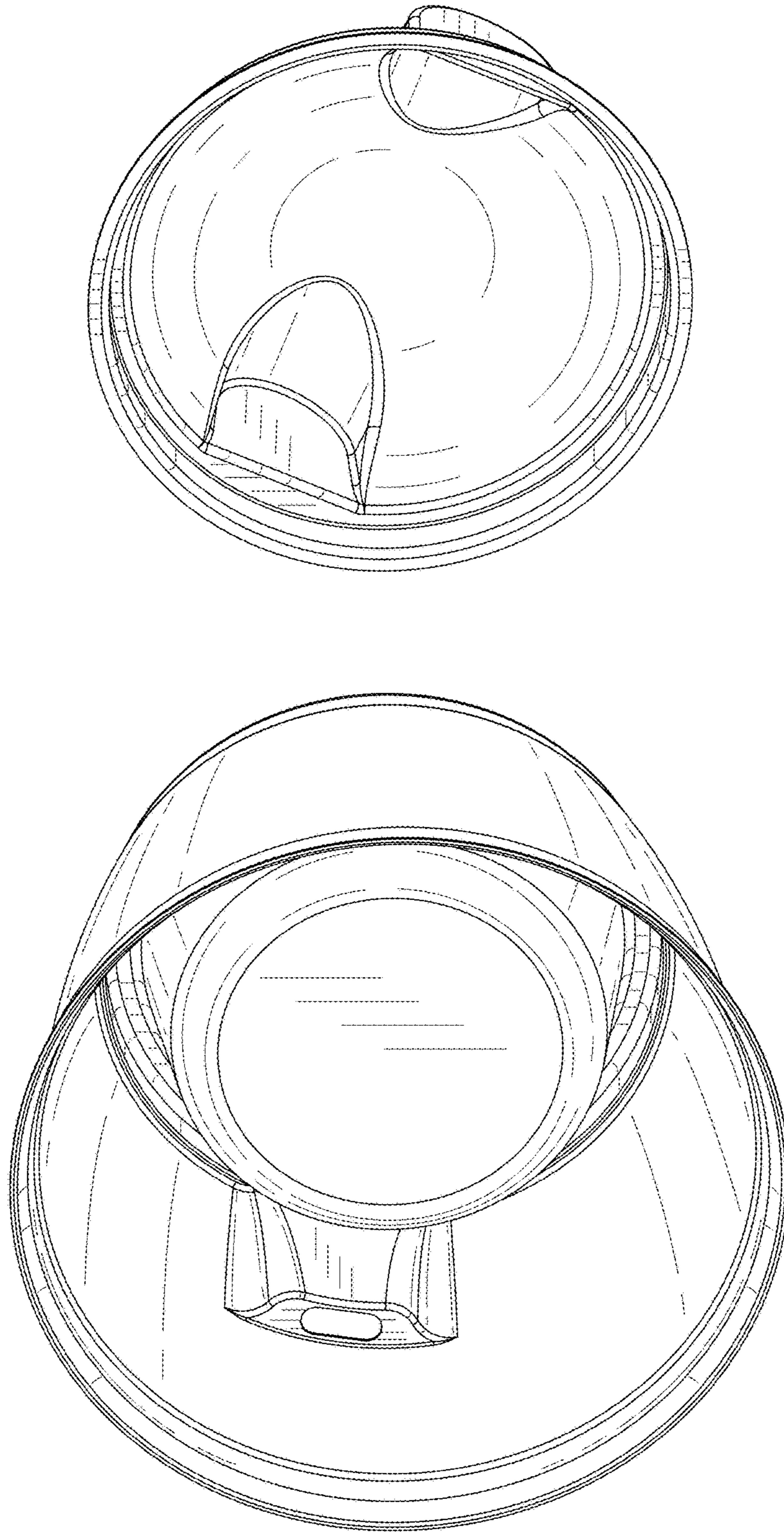


FIG. 3

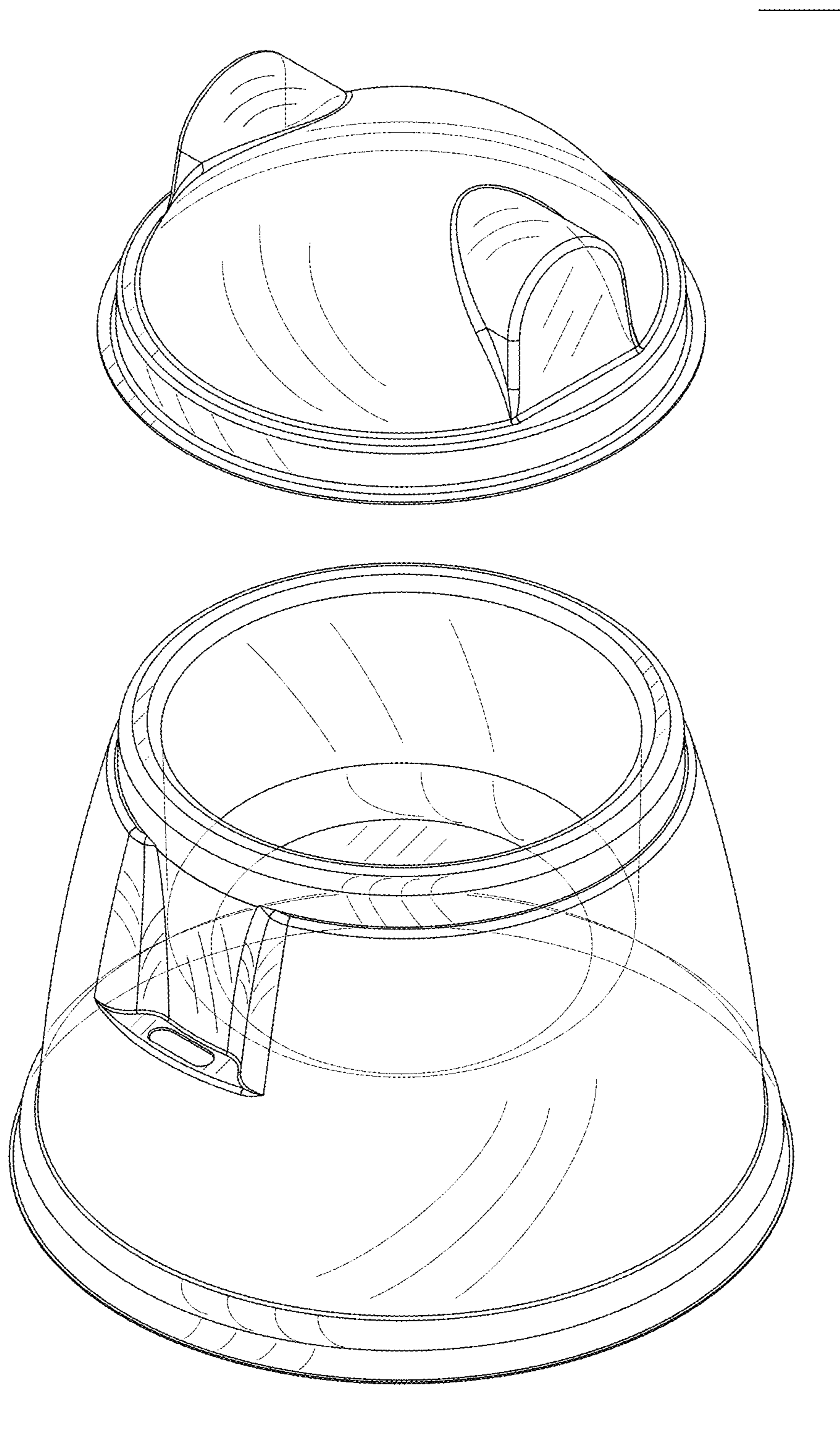


FIG. 4

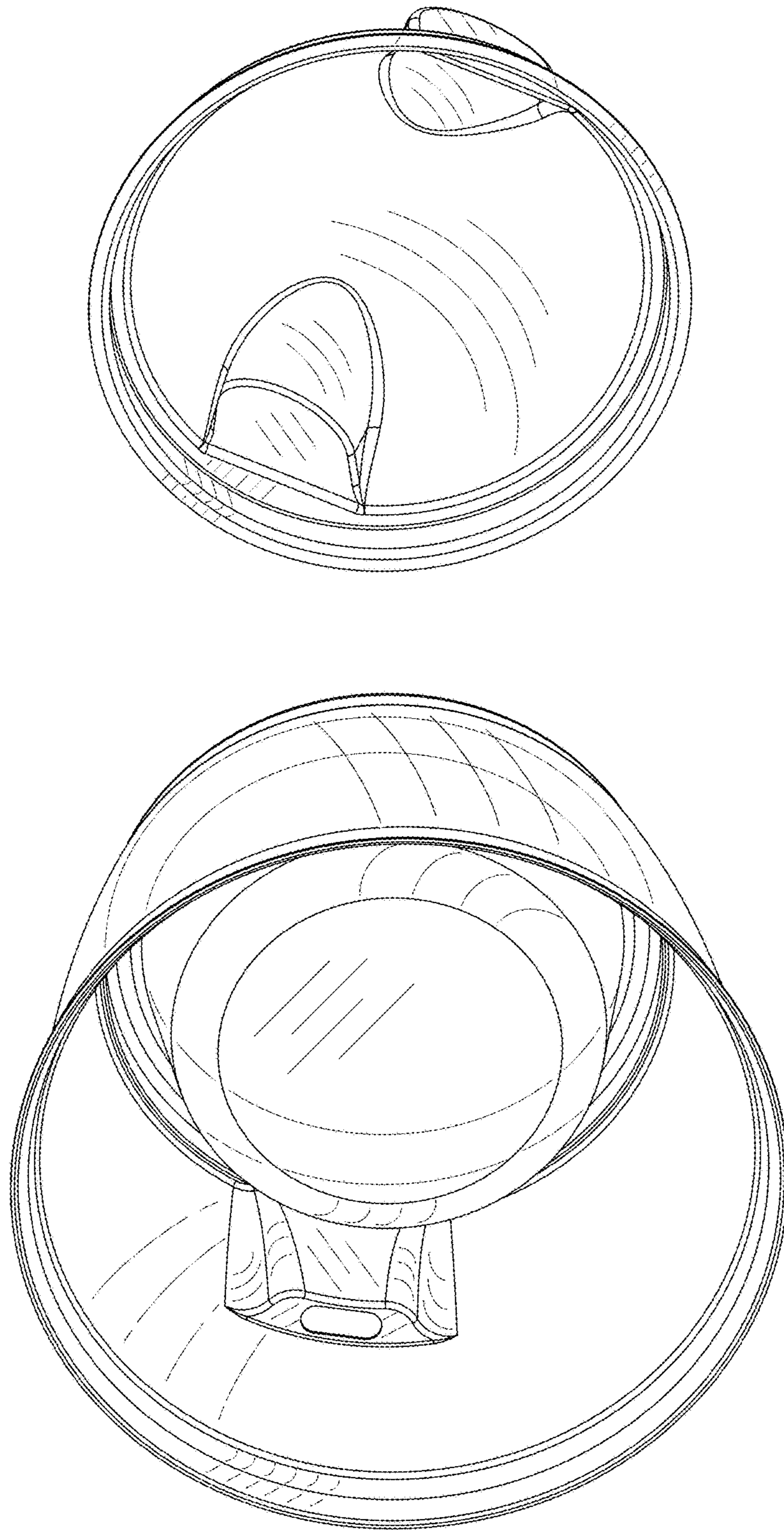


FIG. 5

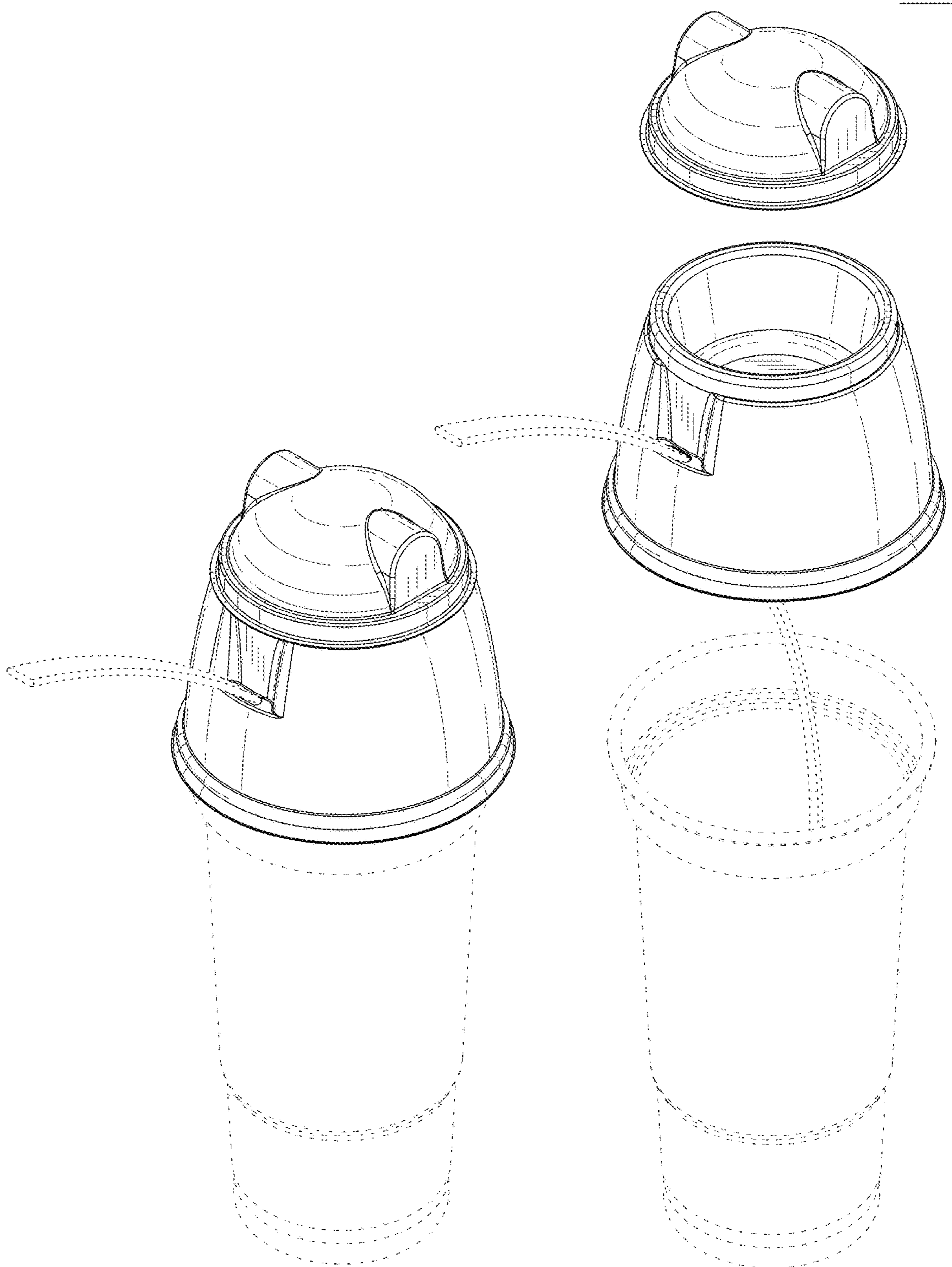


FIG. 6

FIG. 7

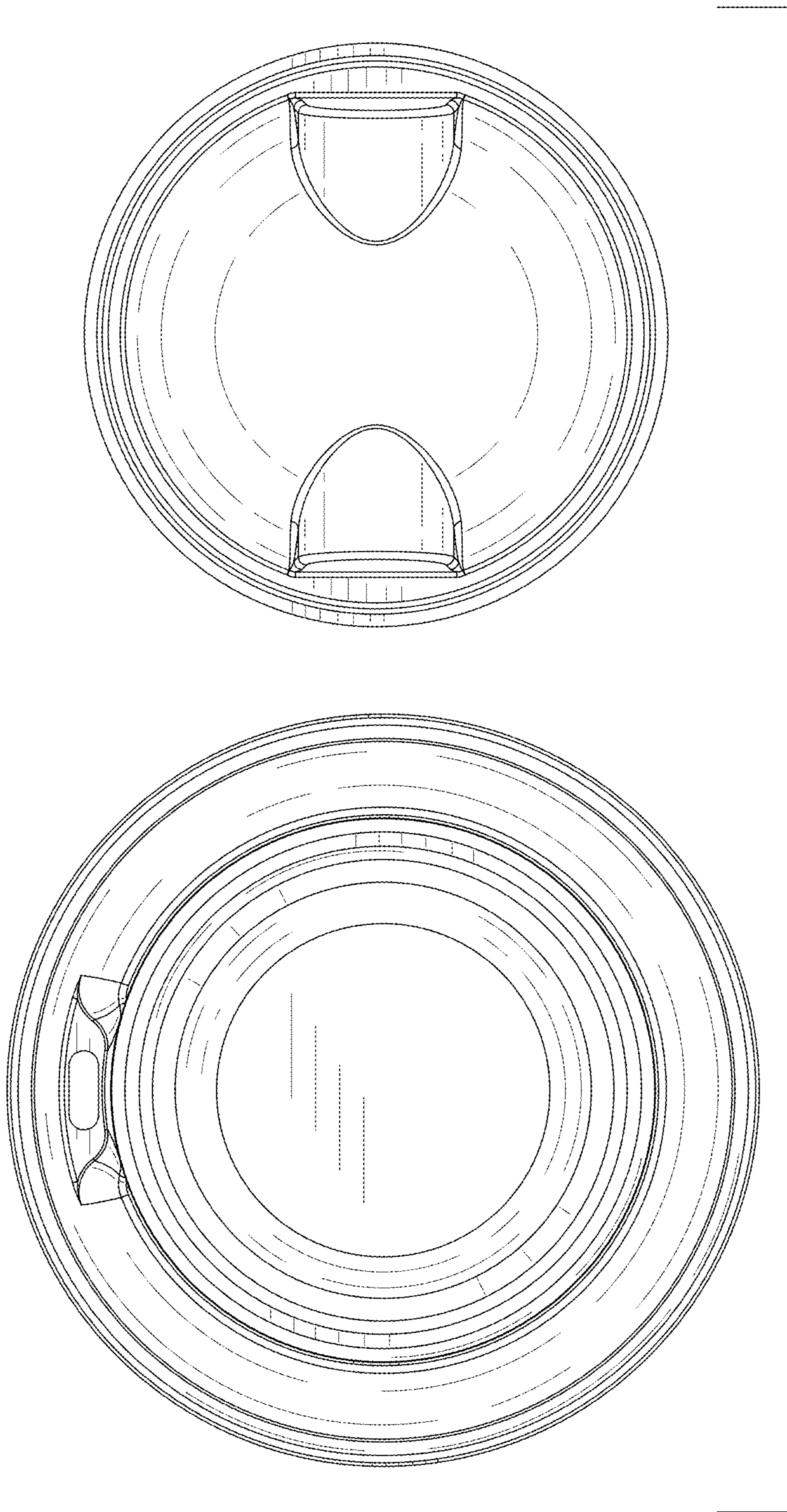


FIG. 8

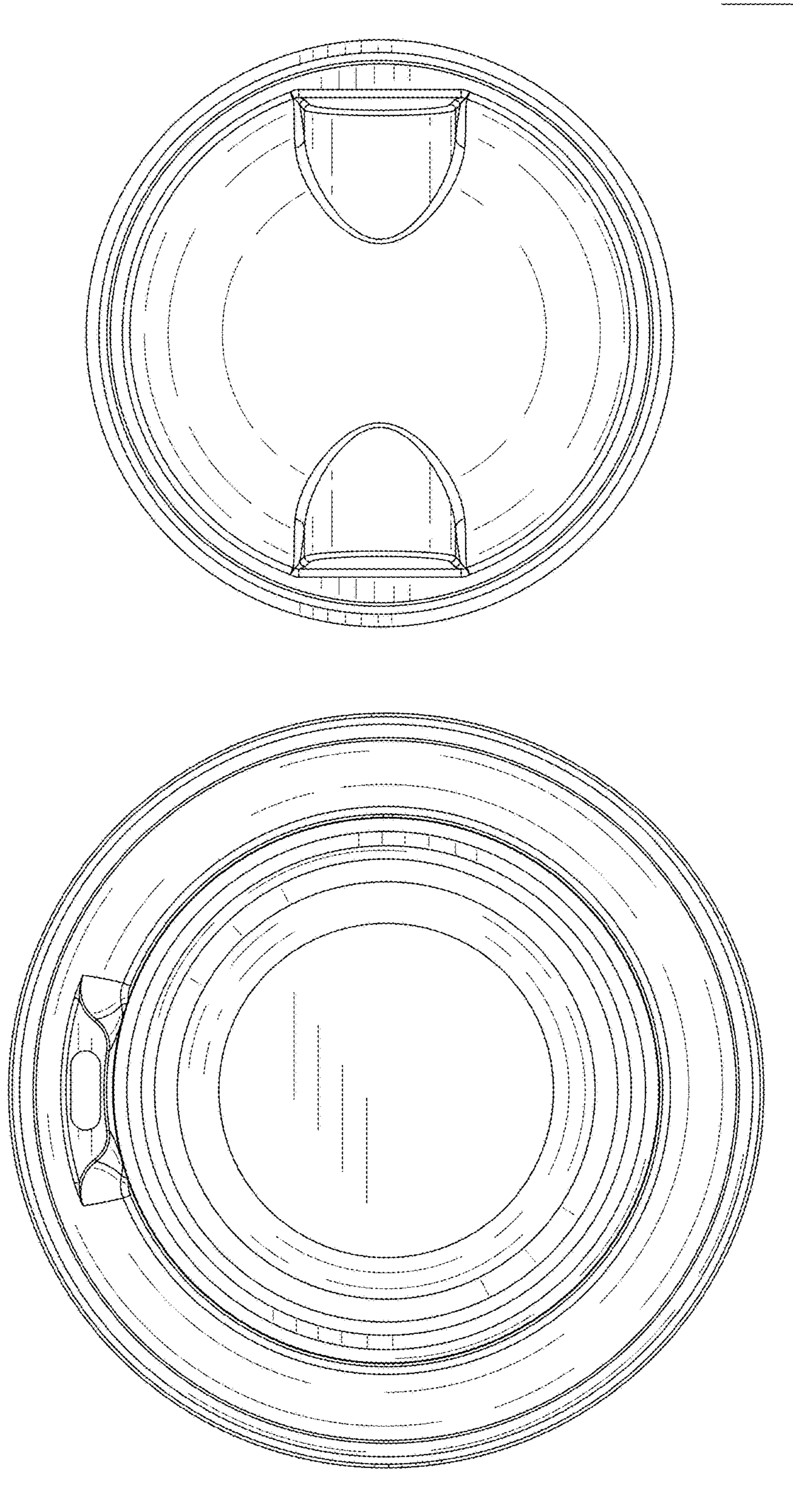


FIG. 9

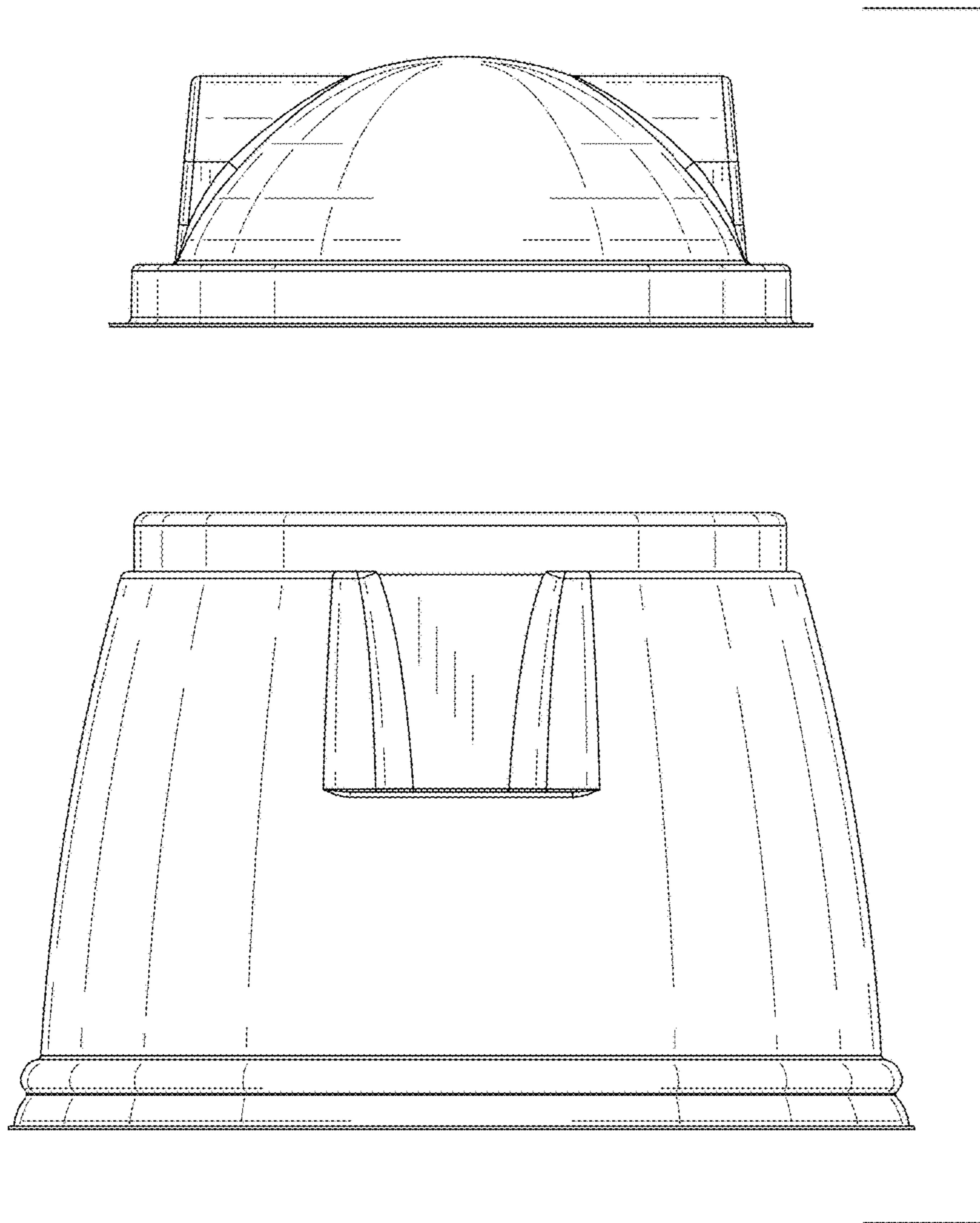


FIG. 10

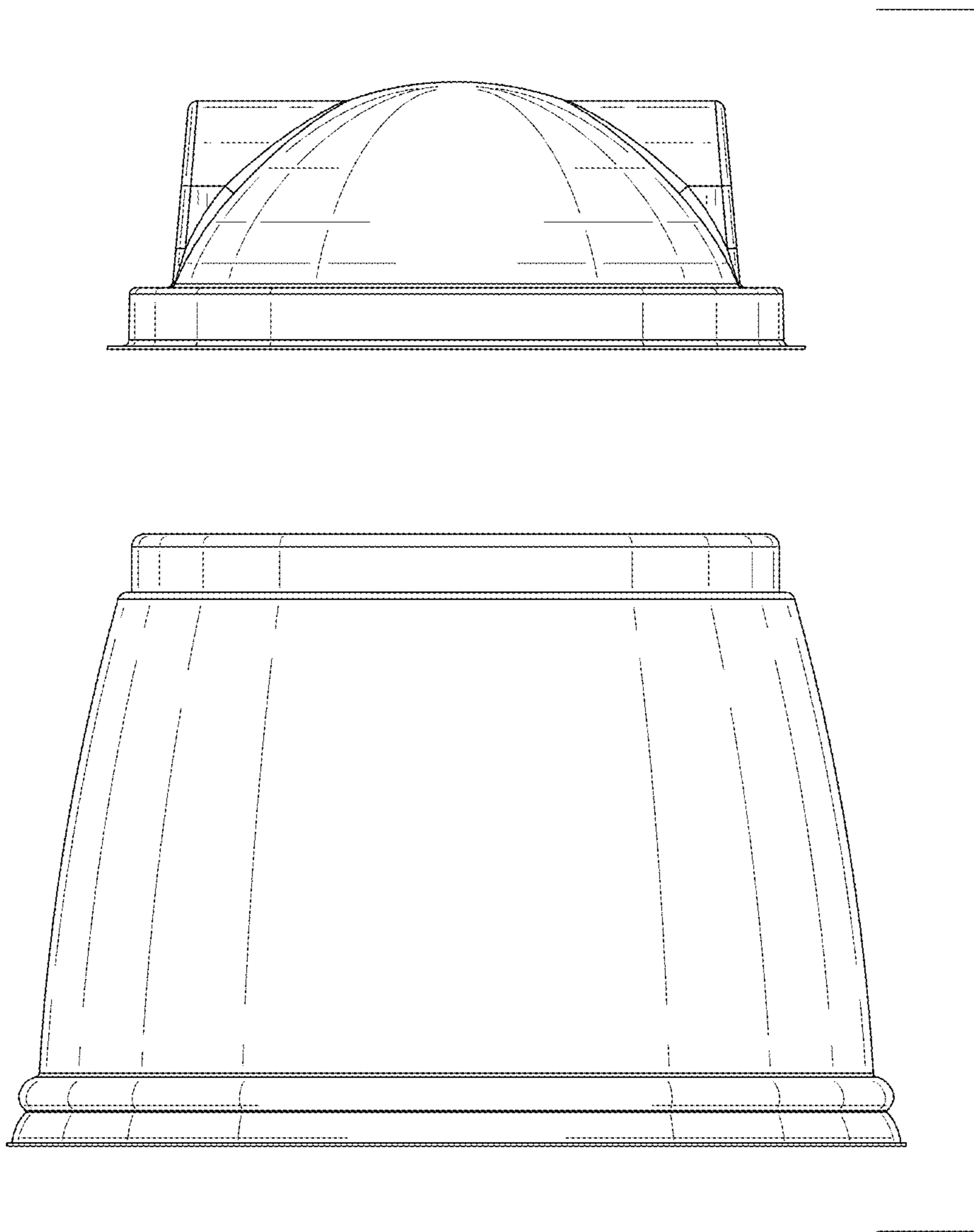


FIG. 11

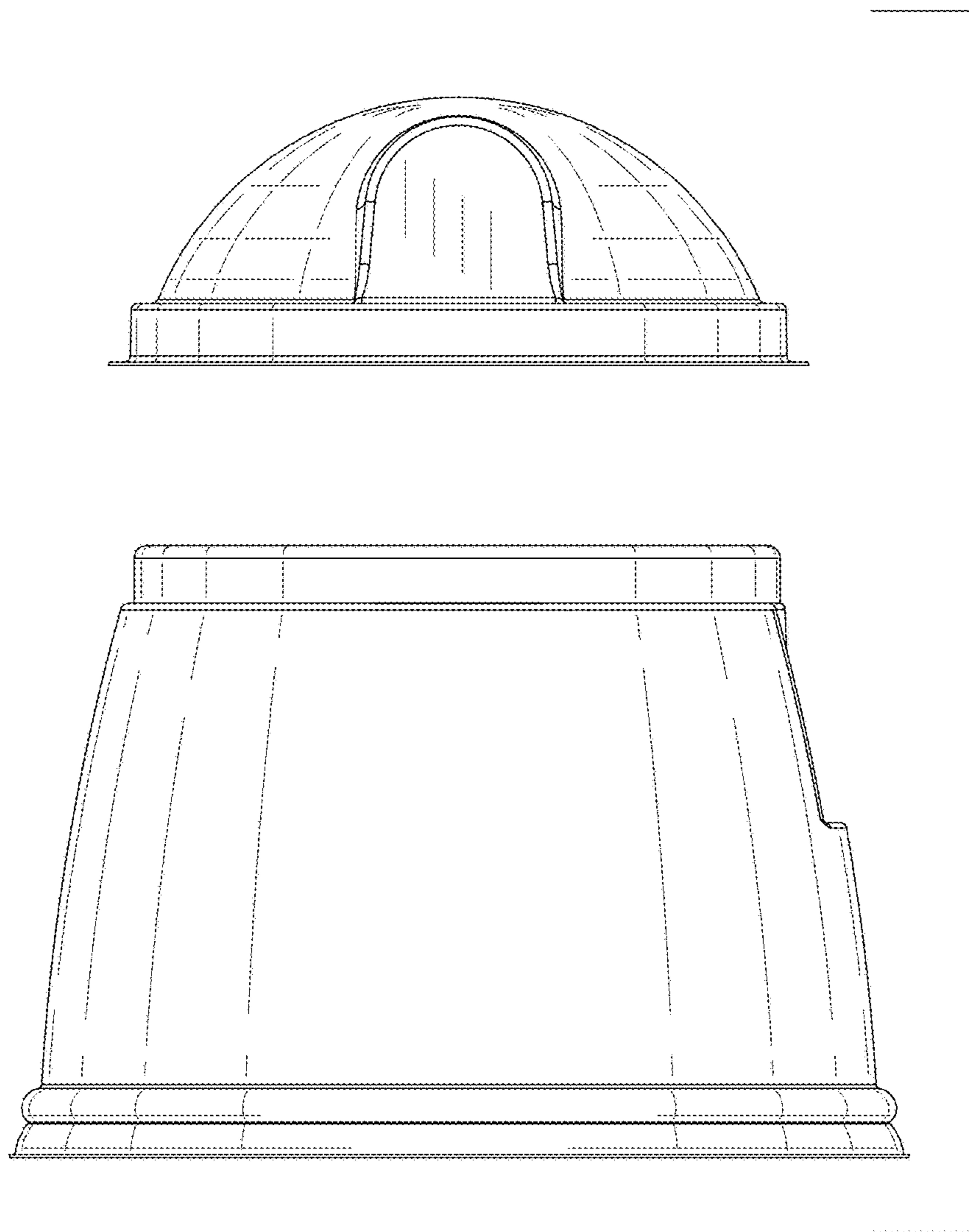


FIG. 12