

US00D793231S

(12) **United States Design Patent** (10) **Patent No.:** **US D793,231 S**
Langfelder et al. (45) **Date of Patent:** **** Aug. 1, 2017**

(54) **CLOSURE FOR A CONTAINER COVER** 2,839,267 A 6/1958 Sieradzki
D187,163 S * 2/1960 Gunter D9/447
(71) Applicant: **RTODDS ENGINEERING, LLC,** 2,086,674 A 4/1963 Scheuerman
Palm Coast, FL (US) 3,371,906 A 3/1968 Lubold
3,478,922 A * 11/1969 Mole B60K 15/04
220/229
(72) Inventors: **Ken Langfelder,** Sebastian, FL (US); 3,572,632 A 3/1971 Bengtsson et al.
Robert Todd Swinderman, Palm 3,882,628 A 5/1975 Stouder
Coast, FL (US) 3,955,306 A 5/1976 Handa
D303,563 S 9/1989 Palmer
(73) Assignee: **RTODDS ENGINEERING, LLC,** 4,884,717 A * 12/1989 Bussard B65D 47/06
Palm Coast, FL (US) 220/229
4,895,565 A 1/1990 Hillstead
(**) Term: **15 Years** 5,111,854 A * 5/1992 Begley B65B 69/00
141/312
(21) Appl. No.: **29/548,916** D341,779 S * 11/1993 Lewis D9/435
D369,201 S 4/1996 Salvo et al.

(22) Filed: **Dec. 17, 2015**
(51) **LOC (10) Cl.** **09-07**
(52) **U.S. Cl.**
USPC **D9/449**
(58) **Field of Classification Search**
USPC D9/414, 415, 420, 426, 428, 429, 434,
D9/435, 443-450, 452-457, 499, 682,
D9/685, 686; D7/387, 392, 392.1, 393,
D7/396.2, 396.3, 396.4, 401.1, 507,
D7/509-511, 538, 900; D3/202, 203.2,
D3/318; D28/91.1
CPC .. A61J 1/00; A61J 1/1412; B65D 1/00; B65D
1/02; B65D 1/10; B65D 1/46; B65D
2585/56; B65D 41/00; B65D 41/38;
B65D 41/56; B65D 41/62; B65D 47/00;
B65D 47/06; B65D 47/08; B65D
2543/00046; B65D 2543/00092; B65D
2543/00296; B65D 5/46; B65D 2251/00
See application file for complete search history.

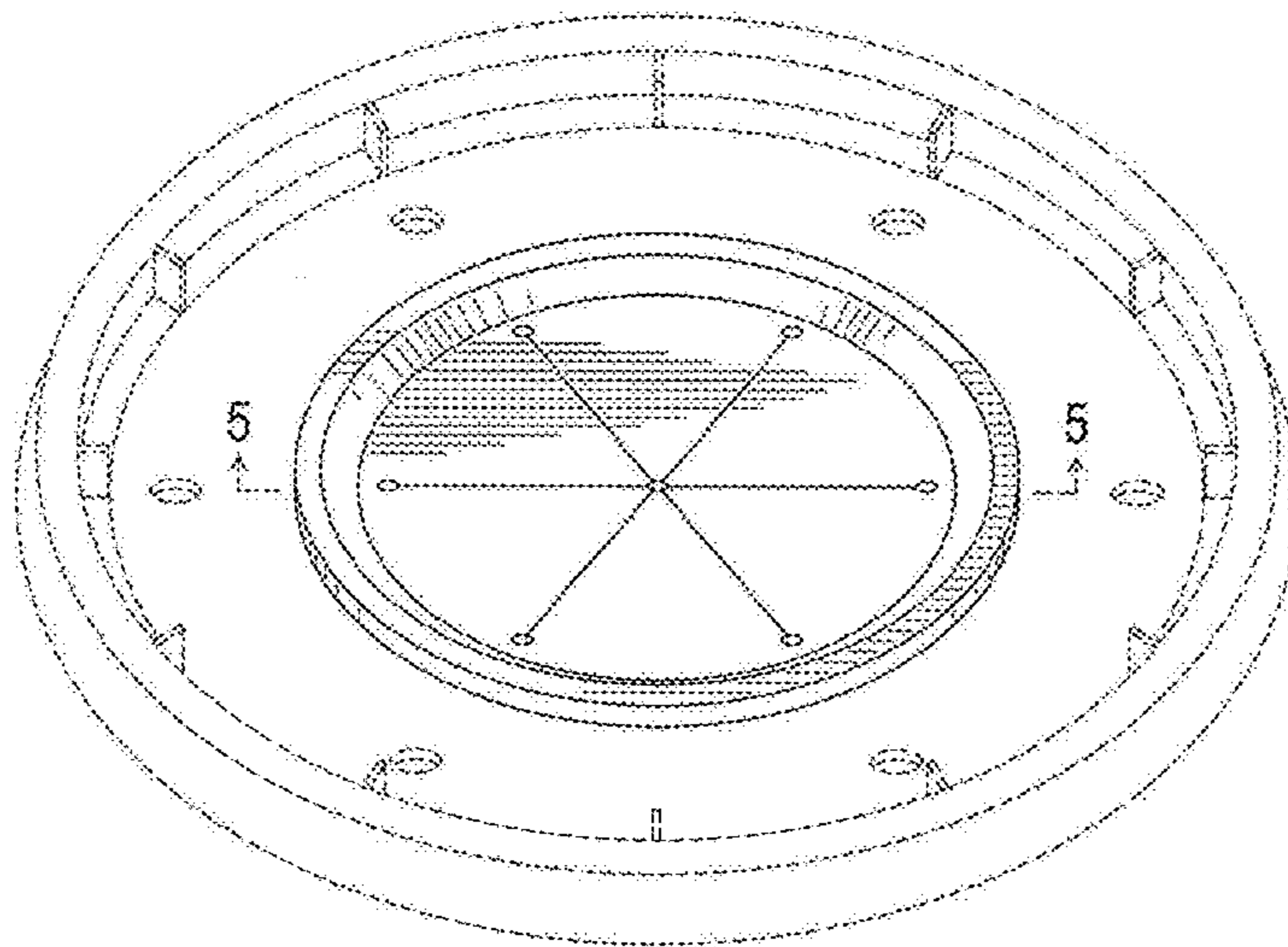
(56) **References Cited**
U.S. PATENT DOCUMENTS
571,708 A * 11/1896 Thompson B65D 47/247
137/845
665,651 A 1/1901 Courteen

(Continued)
Primary Examiner — Karen S Acker
Assistant Examiner — Wendy Arminio
(74) *Attorney, Agent, or Firm* — Terry M. Sanks, Esq.;
Beusse Wolter Sanks & Maire, PLLC

(57) **CLAIM**
The ornamental design for a closure for a container cover, as shown and described.

DESCRIPTION
FIG. 1 is a perspective view of a closure for a container cover shown in a position of use on a container cover drawn in broken lines.
FIG. 2 is a side view of the closure for a container cover.
FIG. 3 is a top view of the closure for a container cover.
FIG. 4 is a bottom view of the closure for a container cover; and,
FIG. 5 is a cross sectional side view taken along line 5-5 of FIG. 1.
The broken lines in FIGS. 1 and 5 illustrating a container cover depict environment that forms no part of the claimed design.

1 Claim, 2 Drawing Sheets



(56)

References Cited

U.S. PATENT DOCUMENTS

5,794,661	A *	8/1998	Natalizia	E03D 11/11 137/515
D425,600	S	5/2000	Pas et al.	
6,656,514	B1 *	12/2003	Tubbs	B65D 47/0823 220/229
7,021,481	B2	4/2006	St. Germain et al.	
D617,188	S *	6/2010	Sturk	D9/443
D623,519	S *	9/2010	Richardson	D9/454
8,127,519	B2 *	3/2012	Stravitz	B65F 1/0006 53/469
8,302,798	B2	11/2012	Moss	
8,307,491	B1 *	11/2012	Michel	B01F 13/002 15/210.1
8,403,811	B2	3/2013	Ulrey et al.	
8,430,811	B2	4/2013	Hess et al.	
D700,513	S *	3/2014	Carsrud	D9/447
D730,185	S *	5/2015	Blanco	D9/439
D751,392	S *	3/2016	Wu	D7/392.1
D752,915	S *	4/2016	Castriota	D7/354
D766,720	S *	9/2016	Ware	D9/447
2005/0263523	A1 *	12/2005	Moss	B65D 43/0212 220/229

* cited by examiner

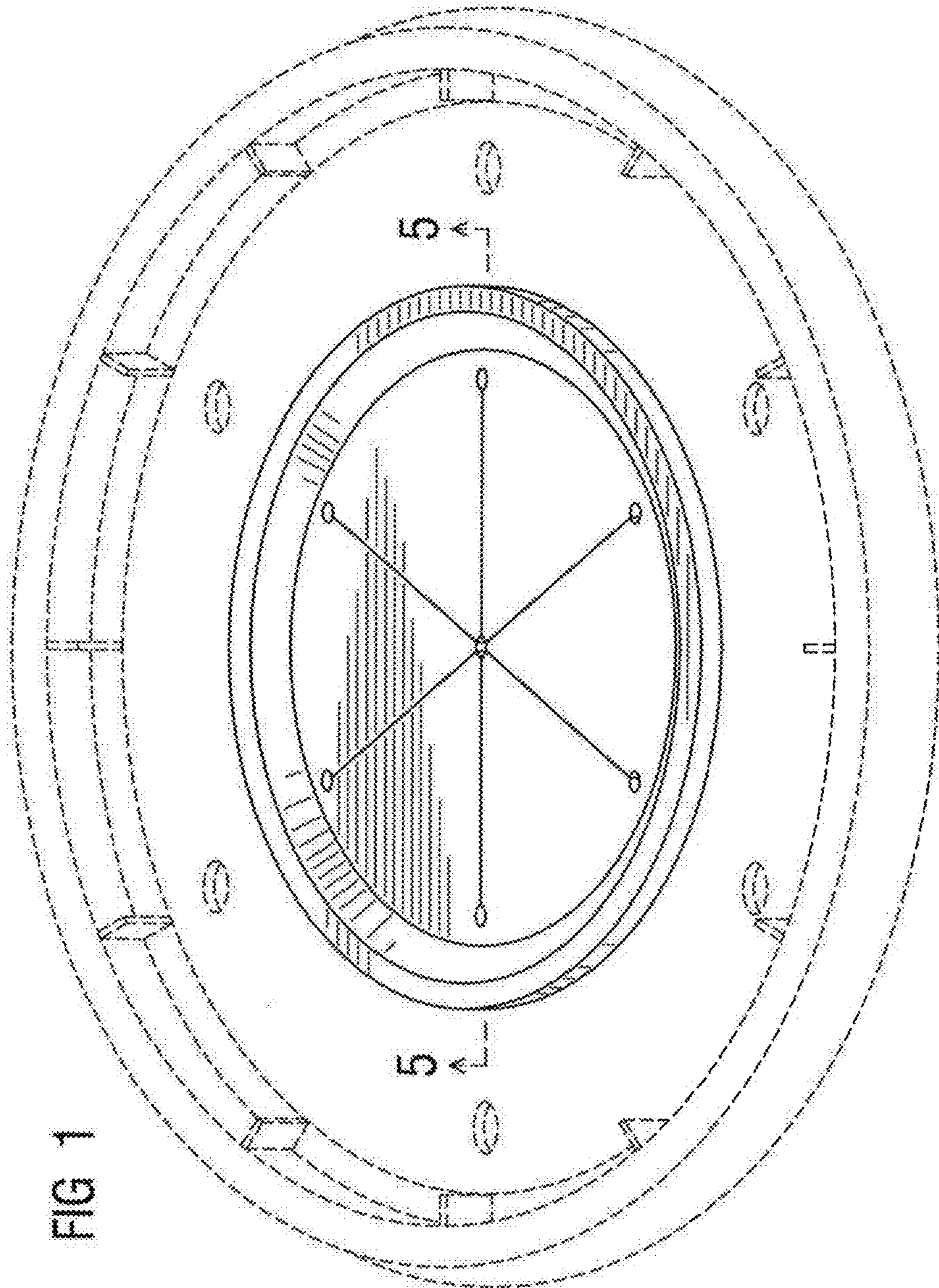


FIG 2



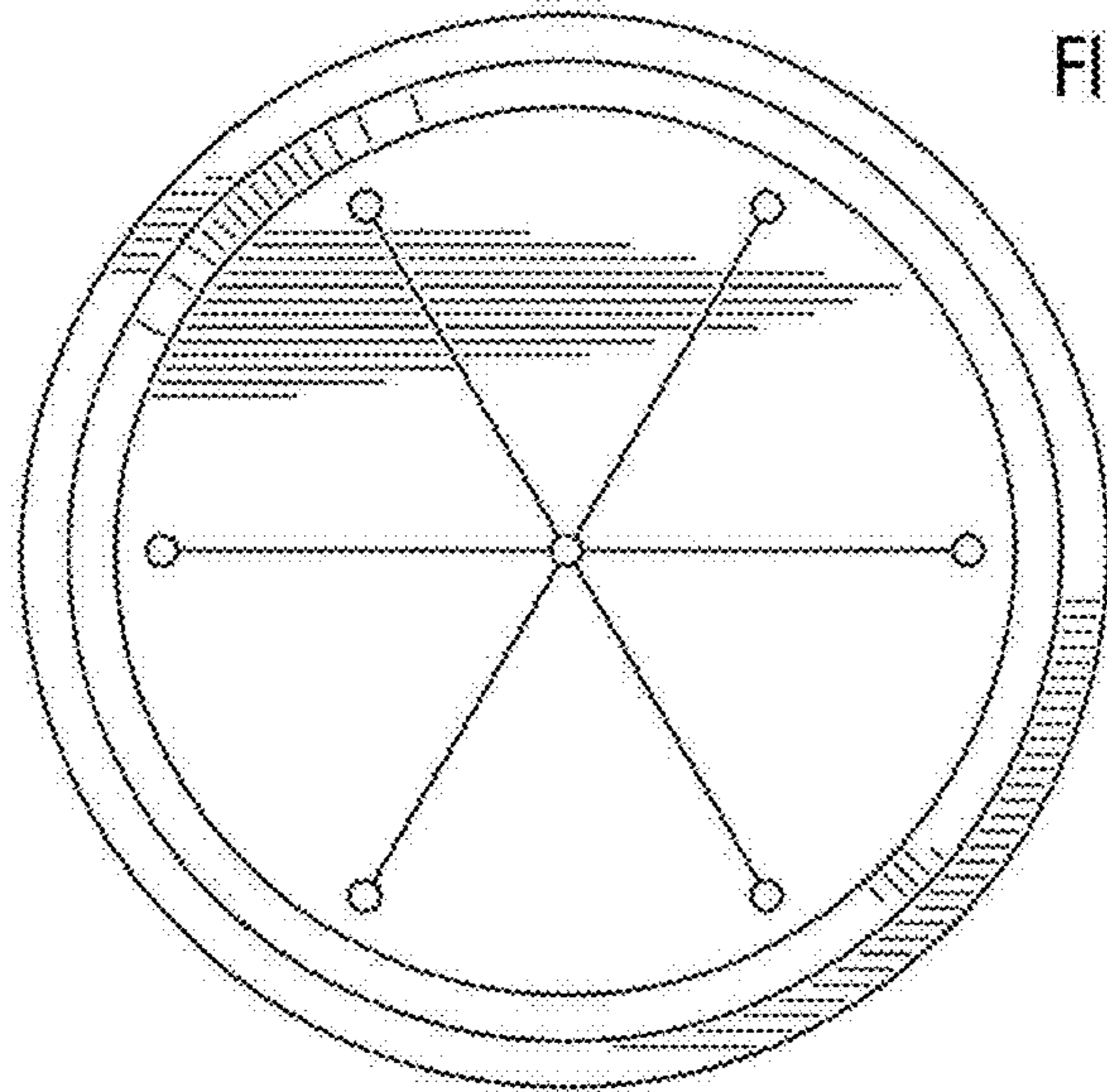


FIG 3

FIG 4

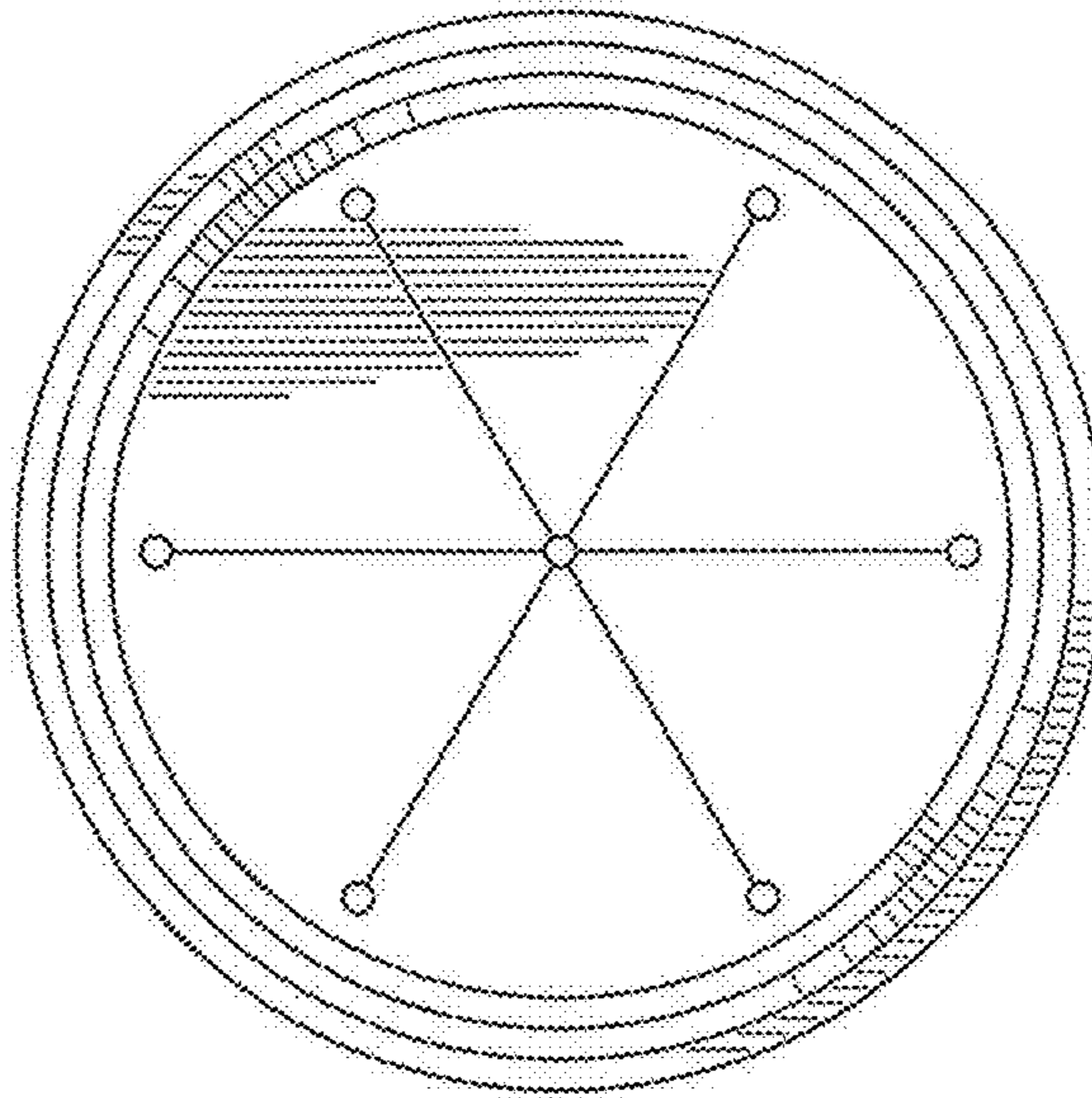


FIG 5

