



US00D793230S

(12) **United States Design Patent**
Kagawa et al.

(10) **Patent No.:** **US D793,230 S**

(45) **Date of Patent:** **** Aug. 1, 2017**

(54) **PACKAGING CONTAINER**

(71) Applicant: **FUJIFILM CORPORATION**,
Minato-ku, Tokyo (JP)

(72) Inventors: **Yusuke Kagawa**, Kanagawa (JP);
Nobuyuki Kimoto, Kanagawa (JP)

(73) Assignee: **FUJIFILM Corporation**, Tokyo (JP)

(**) Term: **14 Years**

(21) Appl. No.: **29/525,473**

(22) Filed: **Apr. 30, 2015**

(30) **Foreign Application Priority Data**

Nov. 27, 2014 (JP) 2014-026484
Nov. 27, 2014 (JP) 2014-026485

(51) **LOC (10) Cl.** **09-07**

(52) **U.S. Cl.**
USPC **D9/434**

(58) **Field of Classification Search**
USPC D9/414, 416, 419, 420, 422, 430,
D9/432-435, 443, 449, 456, 499, 707,
D9/709

(Continued)

(56) **References Cited**

U.S. PATENT DOCUMENTS

948,202 A * 2/1910 Bingham G09F 3/20
229/160.2
2,393,277 A * 1/1946 Beardsell B65D 5/18
206/418

(Continued)

OTHER PUBLICATIONS

Natuerlich Verpacken. Mini cardboard biox with hinged lid and locking tab. 2016 [earliest online date], [site visited Jan. 17, 2017]. Available from Internet, <URL:https://www.natuerlich-verpacken.de/epages/63219007.sf/en_GB/?ObjectPath=/Shops/63219007/Products/1342110066>.*

(Continued)

Primary Examiner — Robert M Spear

Assistant Examiner — Darcey E Hefflin

(74) *Attorney, Agent, or Firm* — SOLARIS Intellectual Property Group, PLLC

(57) **CLAIM**

The ornamental design for a packaging container, as shown and described.

DESCRIPTION

FIG. 1 is a front elevational view of a first embodiment of a packaging container showing the new design;
FIG. 2 is a top plan view of the packaging container shown in FIG. 1;

FIG. 3 is a right side elevational view of the packaging container shown in FIG. 1;

FIG. 4 is a left side elevational view of the packaging container shown in FIG. 1;

FIG. 5 is a sectional view taken along 5-5 in FIG. 1;

FIG. 6 is a perspective view of the packaging container shown in FIG. 1;

FIG. 7 is a perspective reference view of the packaging container shown in FIG. 1, shown with a top portion of the packaging container in an alternate position;

FIG. 8 is a front elevational view of a second embodiment, symmetric to the first embodiment, of a packaging container showing the new design;

FIG. 9 is a top plan view of the packaging container shown in FIG. 8;

FIG. 10 is a right side elevational view of the packaging container shown in FIG. 8;

FIG. 11 is a left side elevational view of the packaging container shown in FIG. 8;

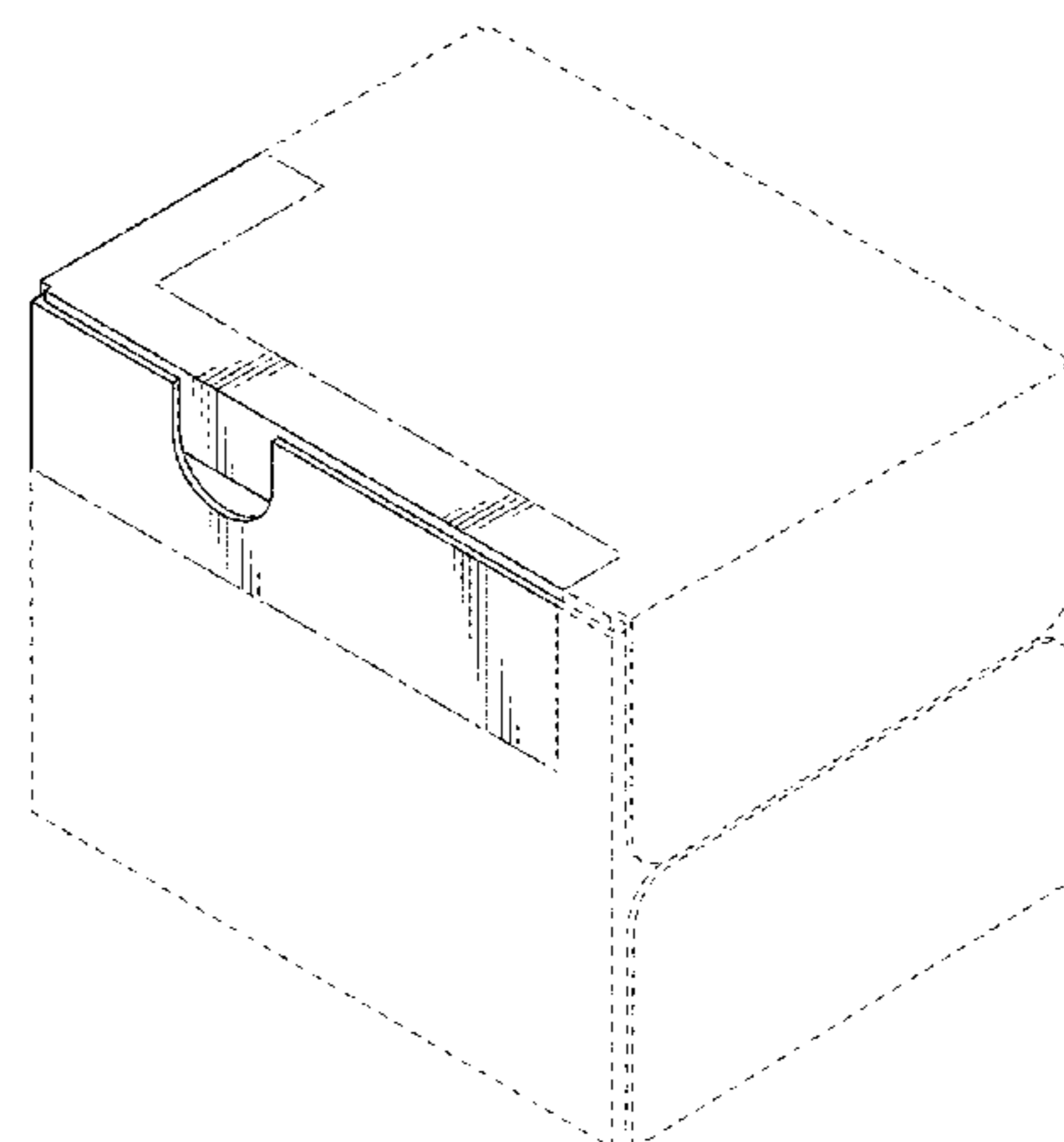
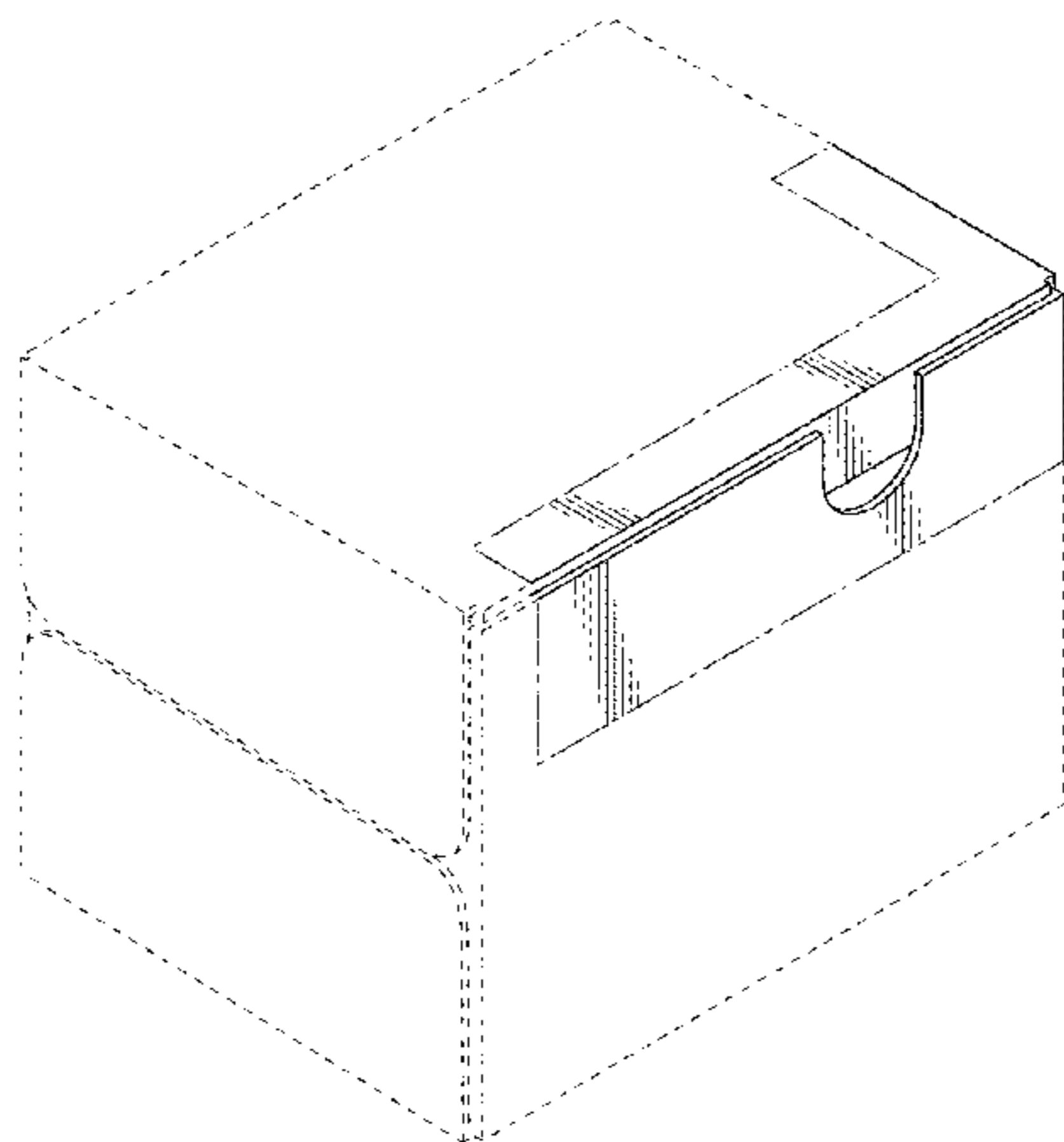
FIG. 12 is a sectional view taken along 12-12 in FIG. 8;

FIG. 13 is a perspective view of the packaging container shown in FIG. 8; and,

FIG. 14 is a perspective reference view of the packaging container shown in FIG. 8, shown with a top portion of the packaging container in an alternate position.

The bottom and rear surfaces of the packaging container are flat and unornamented in both of the first and second embodiments.

(Continued)



In the drawings, the evenly-spaced broken lines showing portions of a packaging container depict environment and form no part of the claimed design. The dash-dot-dash lines represent boundaries of the claimed design and form no part thereof.

1 Claim, 10 Drawing Sheets

(58) Field of Classification Search

CPC B65D 5/0254; B65D 5/542; B65D 85/38
See application file for complete search history.

(56)

References Cited

U.S. PATENT DOCUMENTS

2,839,236 A *	6/1958	Dunning	B65D 5/6667 229/145
3,356,281 A *	12/1967	Buttery	B65D 5/0254 229/120.12
5,044,549 A *	9/1991	Beales	B65D 5/6697 229/114

D432,912 S *	10/2000	Lubineau-Bigot	D9/416
D438,105 S *	2/2001	Conner	D9/430
D438,463 S *	3/2001	Schill	D9/416
D444,381 S *	7/2001	Barr	D9/416
D447,689 S *	9/2001	Navet	D9/430
D582,268 S *	12/2008	Zanaletti	D9/432
RE43,304 E *	4/2012	Zanaletti	D9/422
D735,576 S *	8/2015	Aldridge	D9/435
D753,994 S *	4/2016	Pantelleria	D9/416
2004/0084350 A1 *	5/2004	Kim	B65D 5/542 206/736
2004/0222110 A1 *	11/2004	Holmon	B65D 5/0254 206/232
2016/0144996 A1 *	5/2016	Kagawa	B65D 5/0254 206/387.1

OTHER PUBLICATIONS

Made in China. Rectangle Color Paper Box with Tuck Tab Closure Lid. 2017 [earliest online date], [site visited Jan. 17, 2017]. Available from Internet, <URL:<http://xdpress.en.made-in-china.com/product/SBXxlyYHCpWU/China-Rectangle-Color-Paper-Box-with-Tuck-Tab-Closure-Lid.html>>.*

* cited by examiner

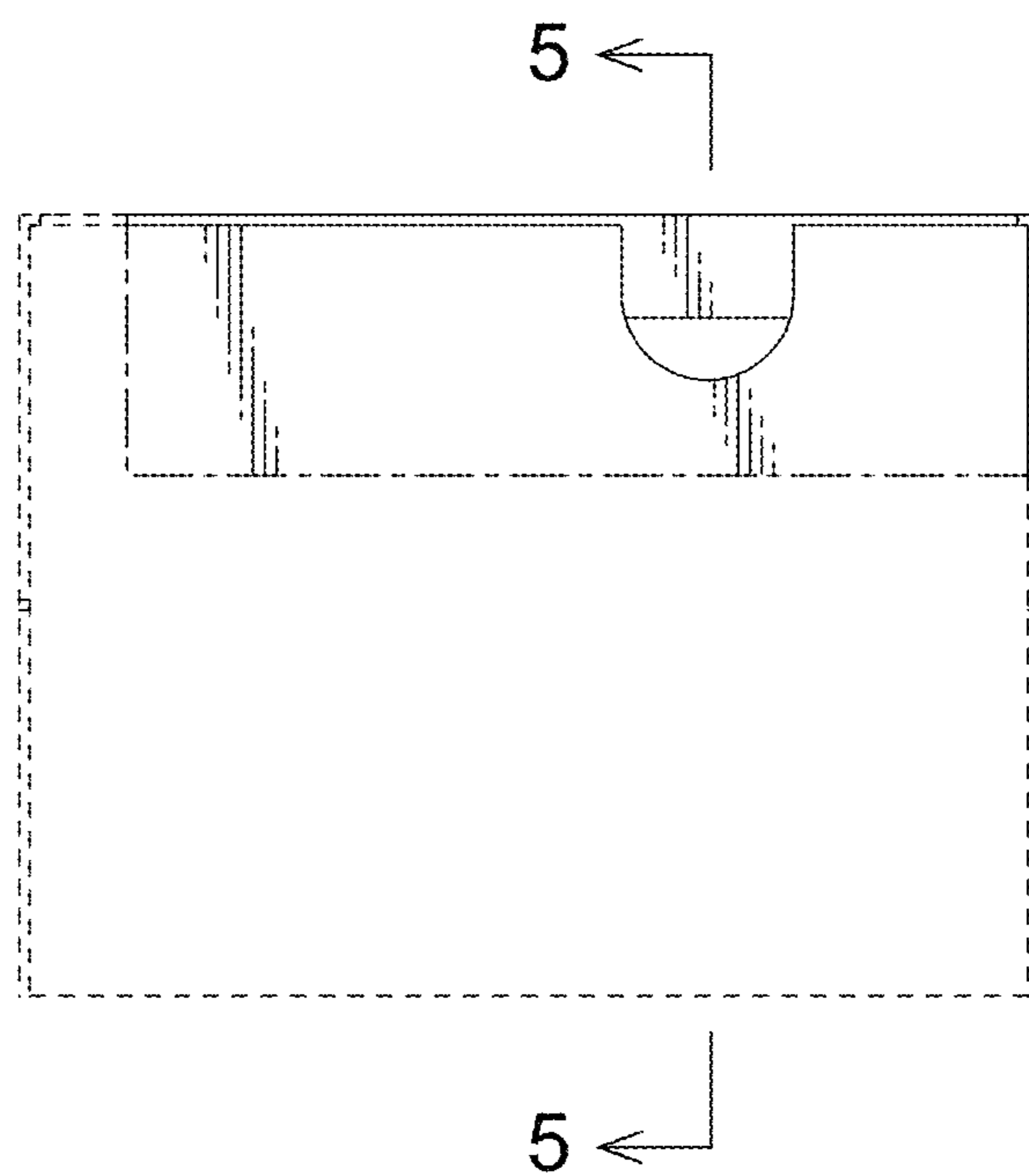


FIG.1

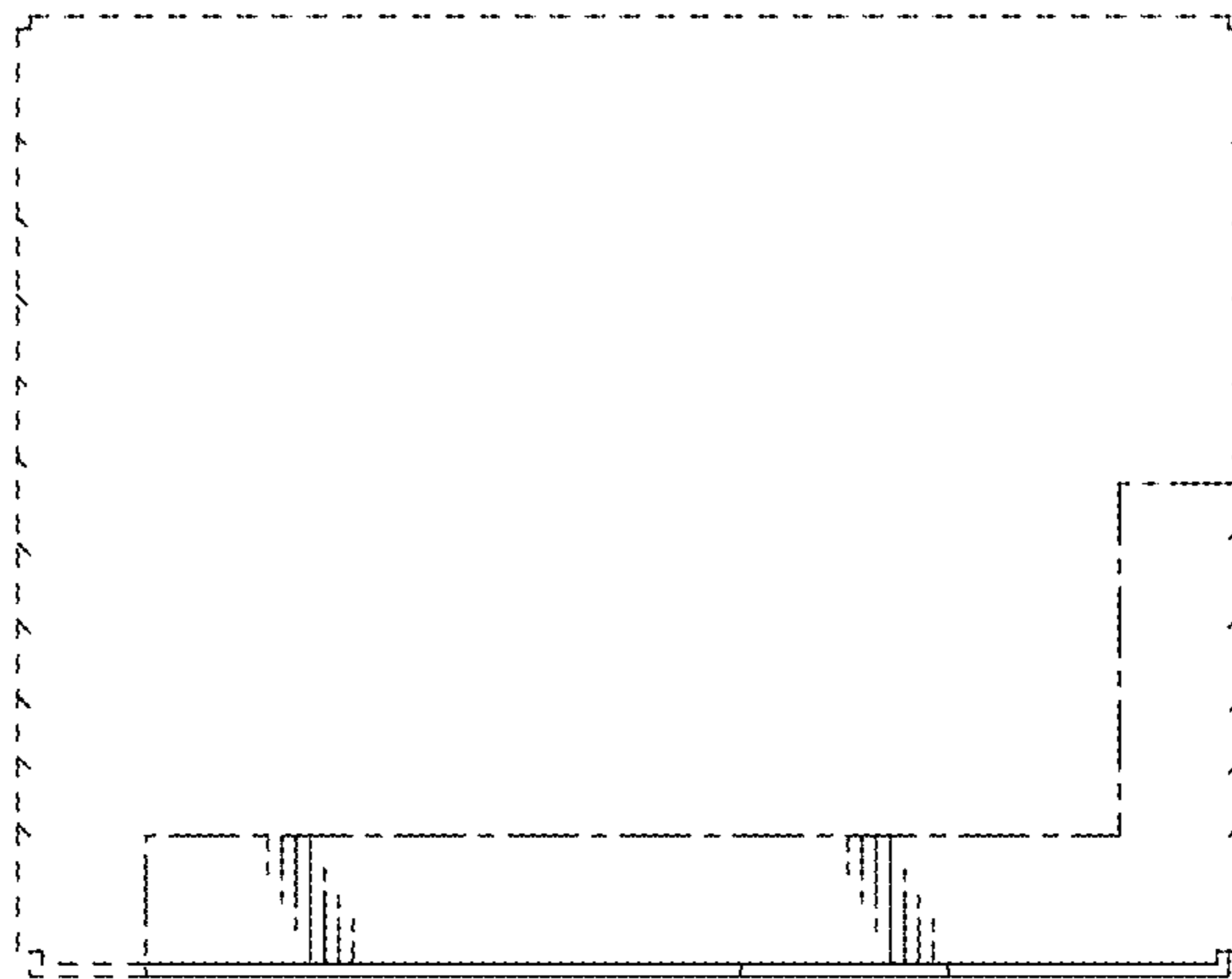


FIG.2

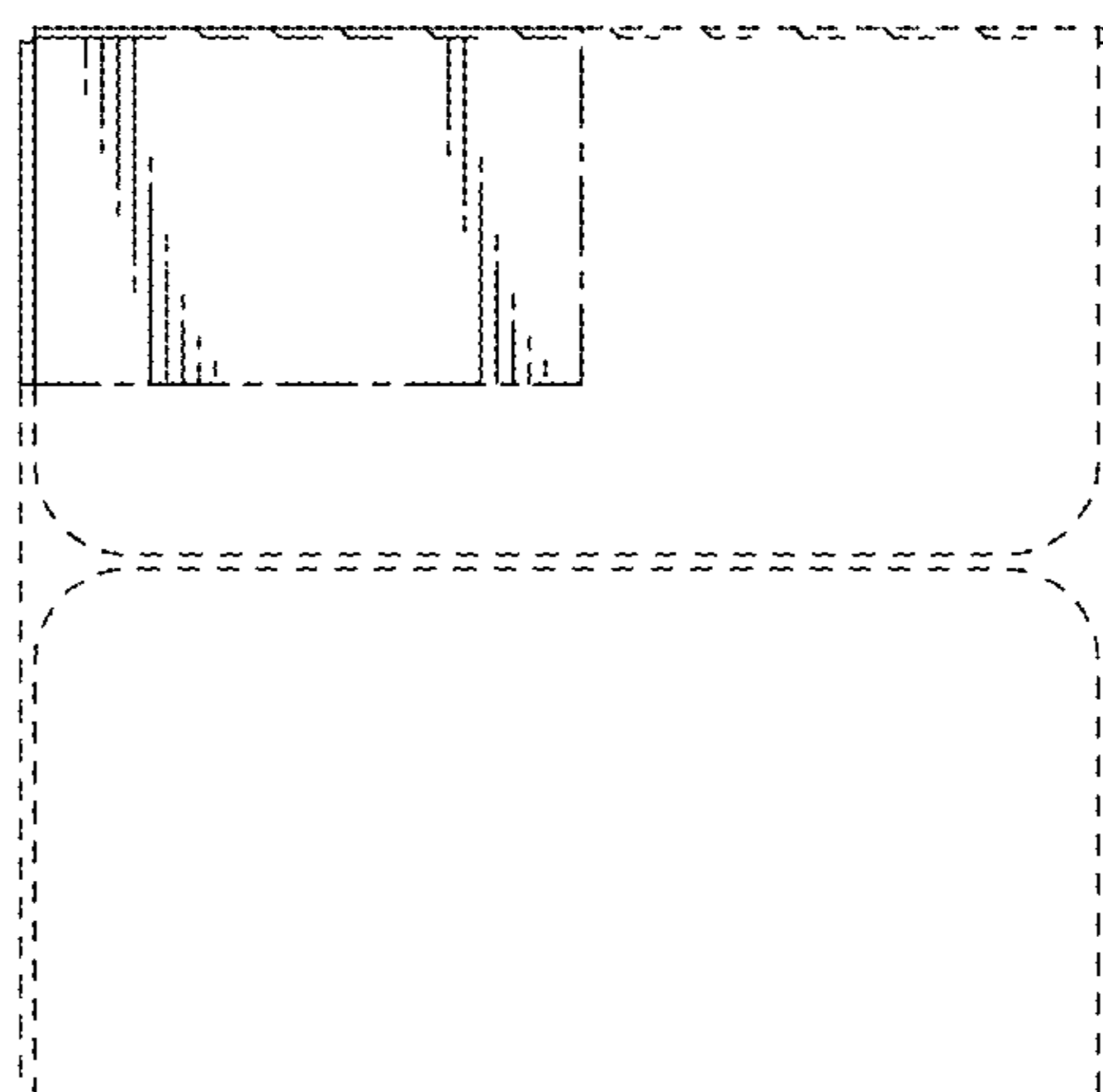


FIG.3

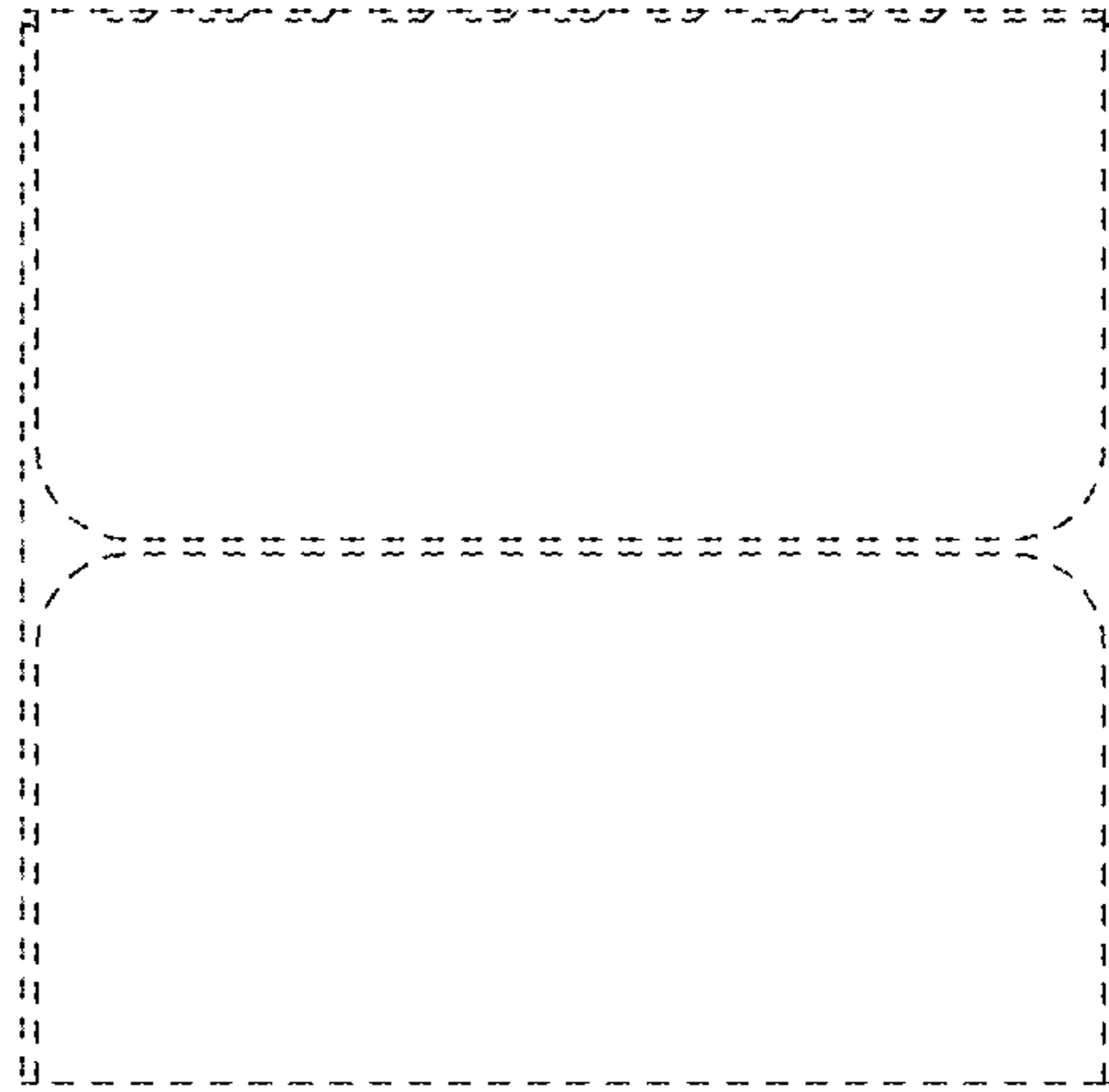


FIG. 4

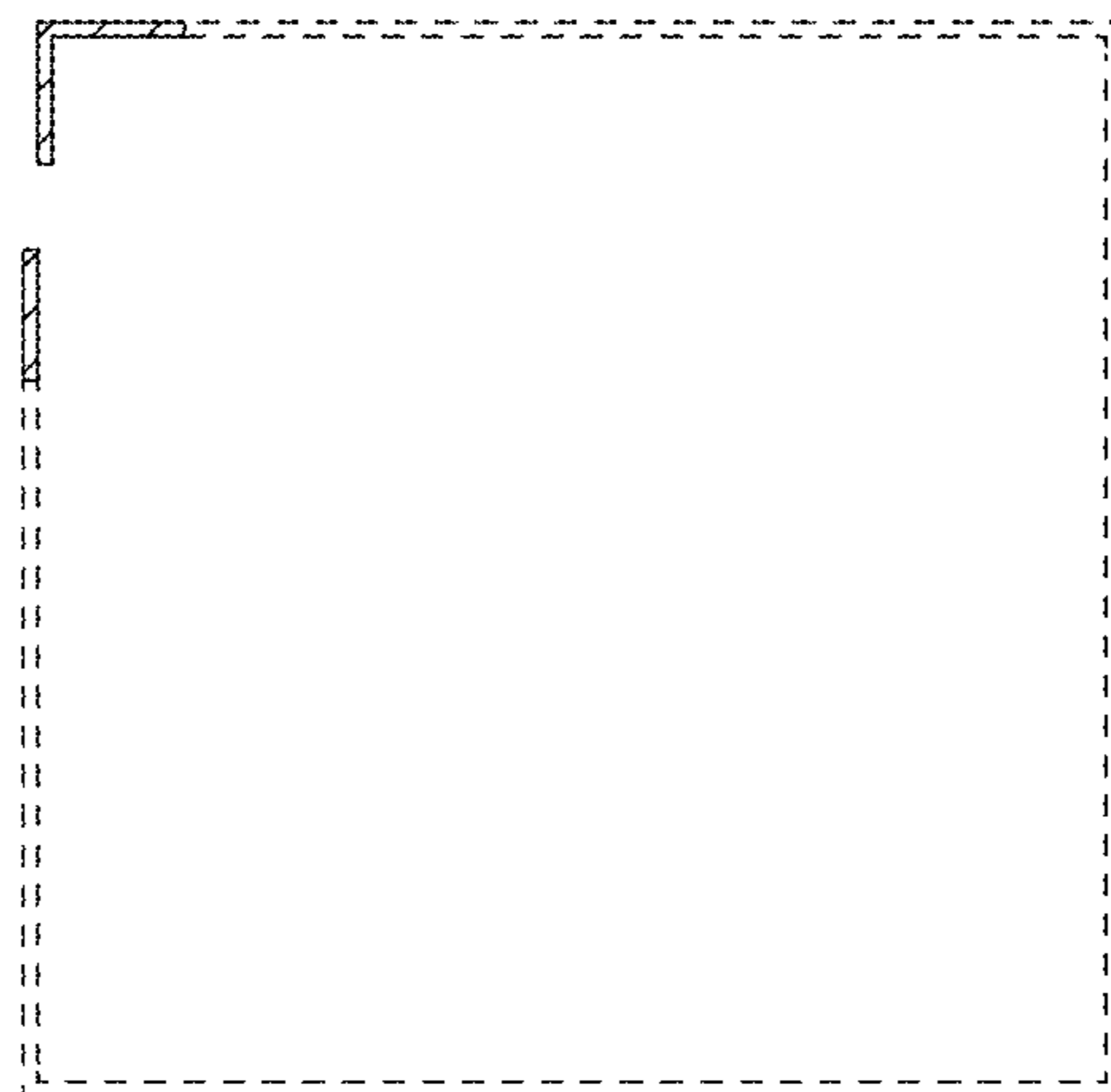


FIG. 5

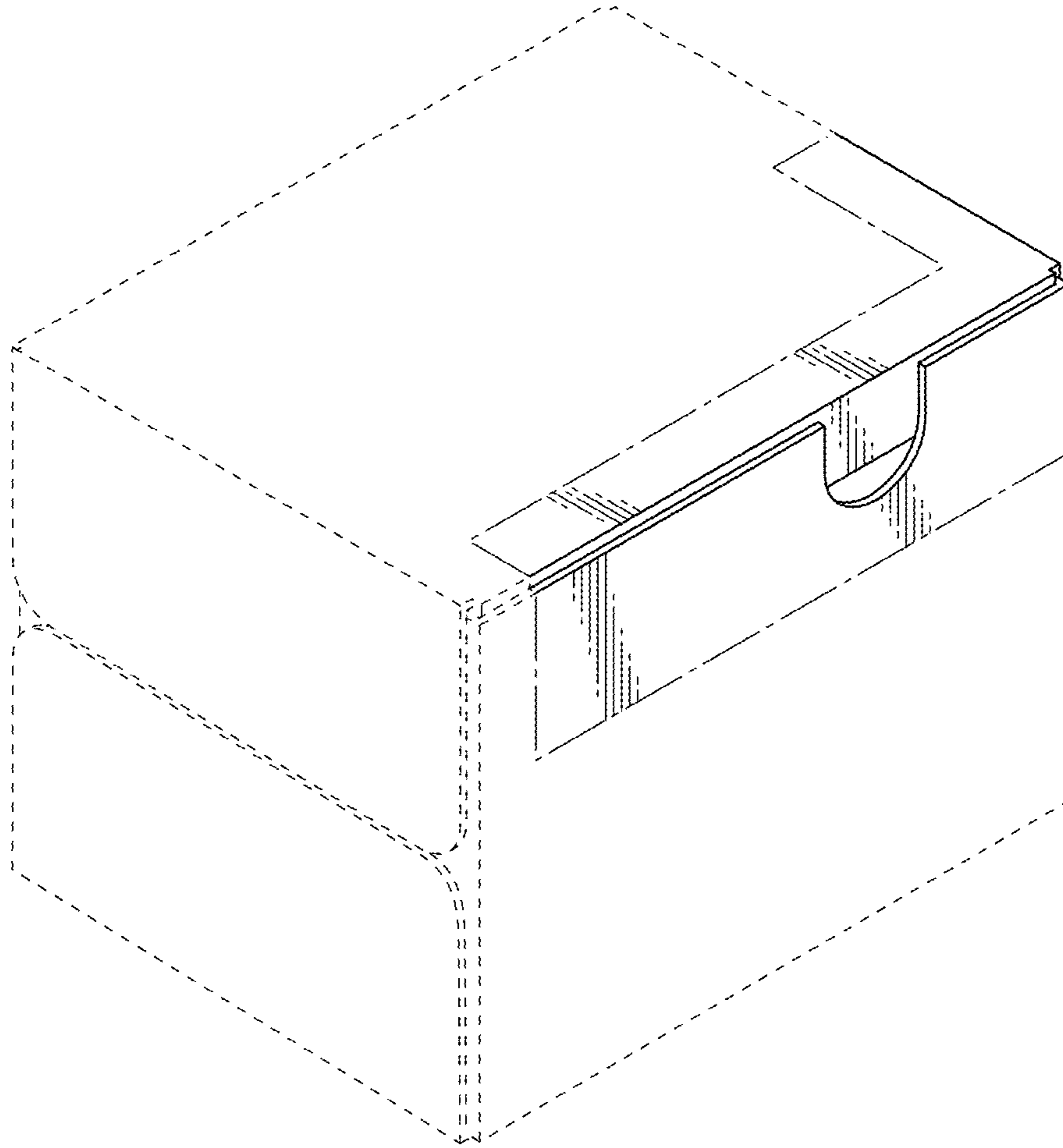


FIG.6

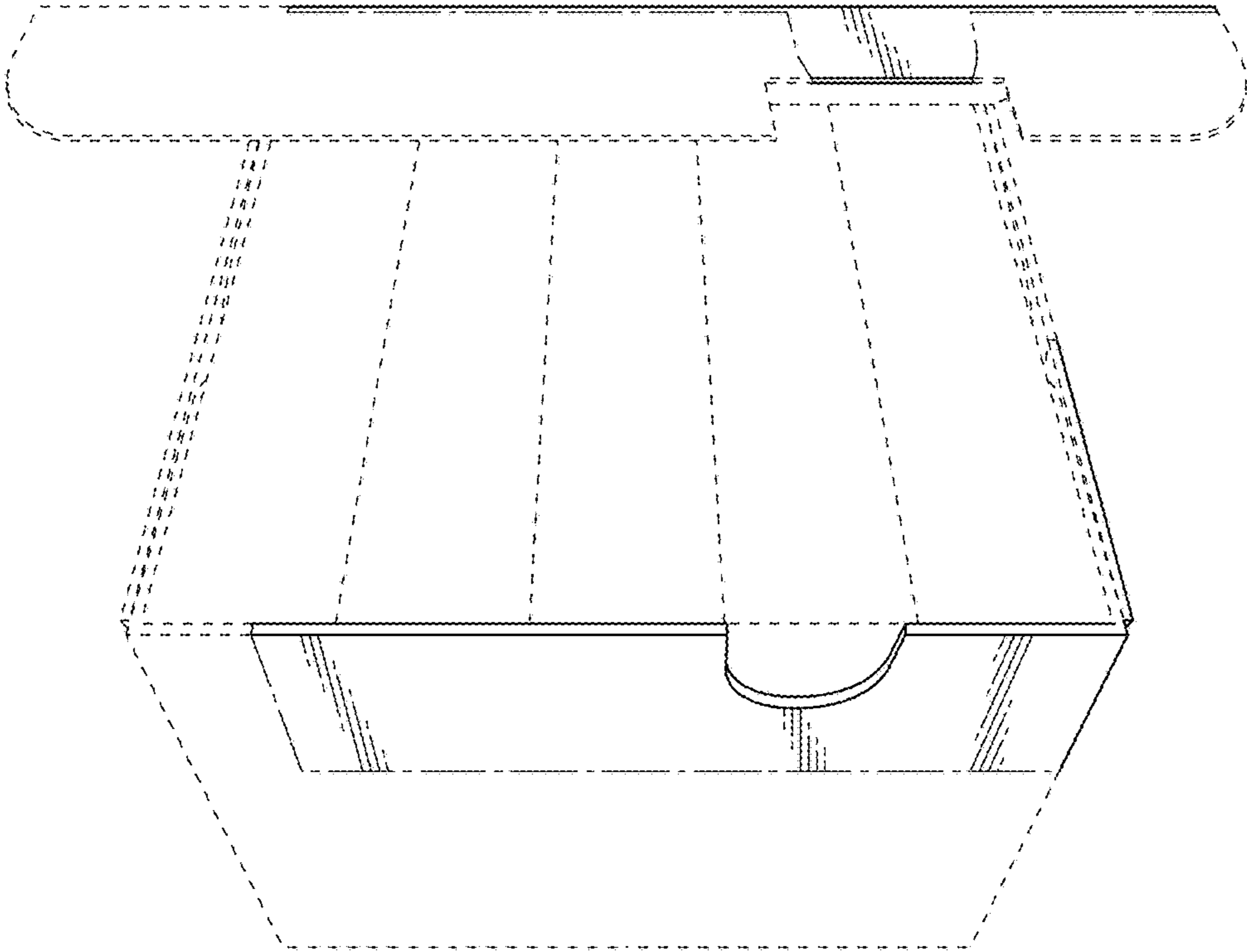


FIG.7

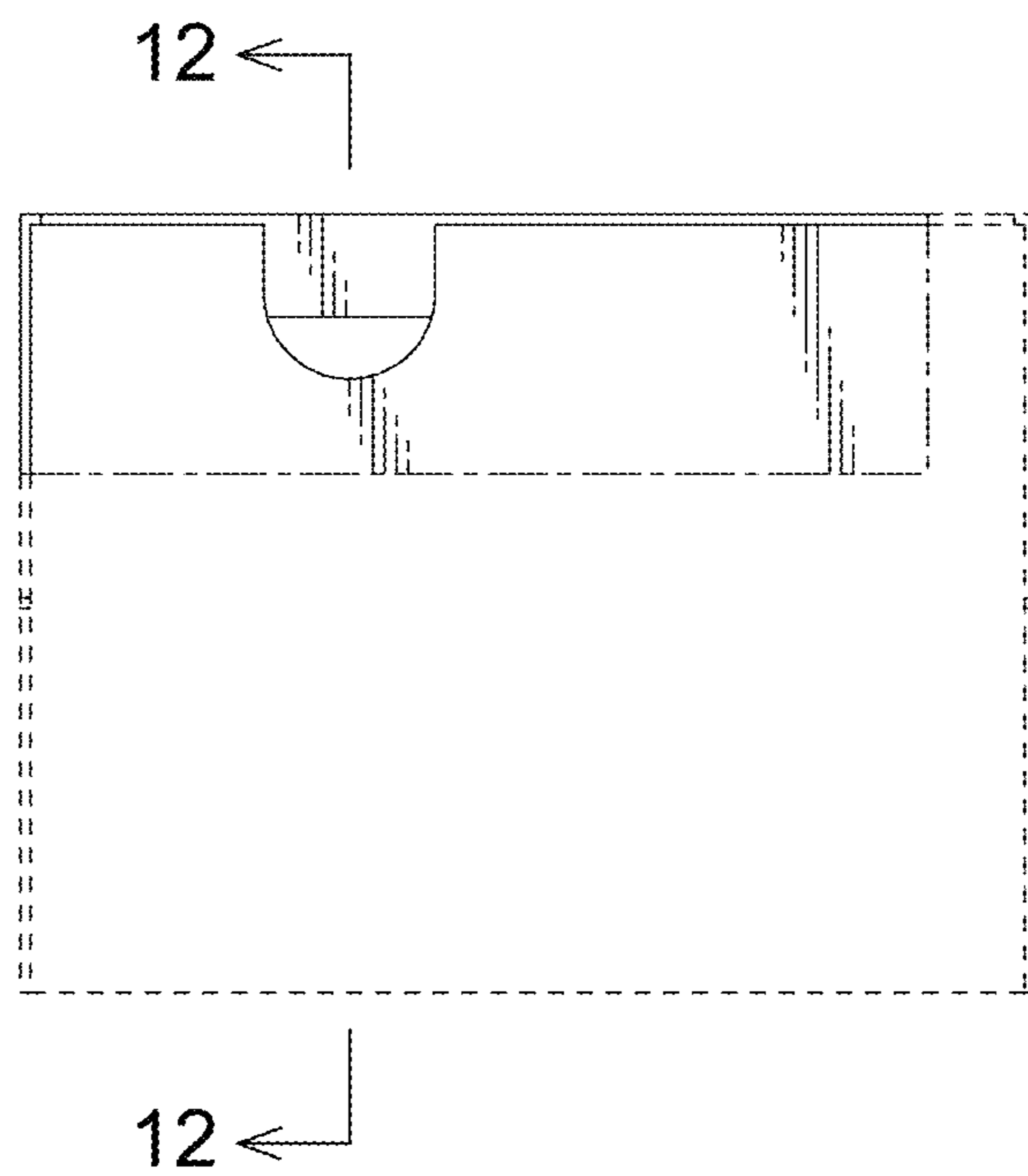


FIG.8

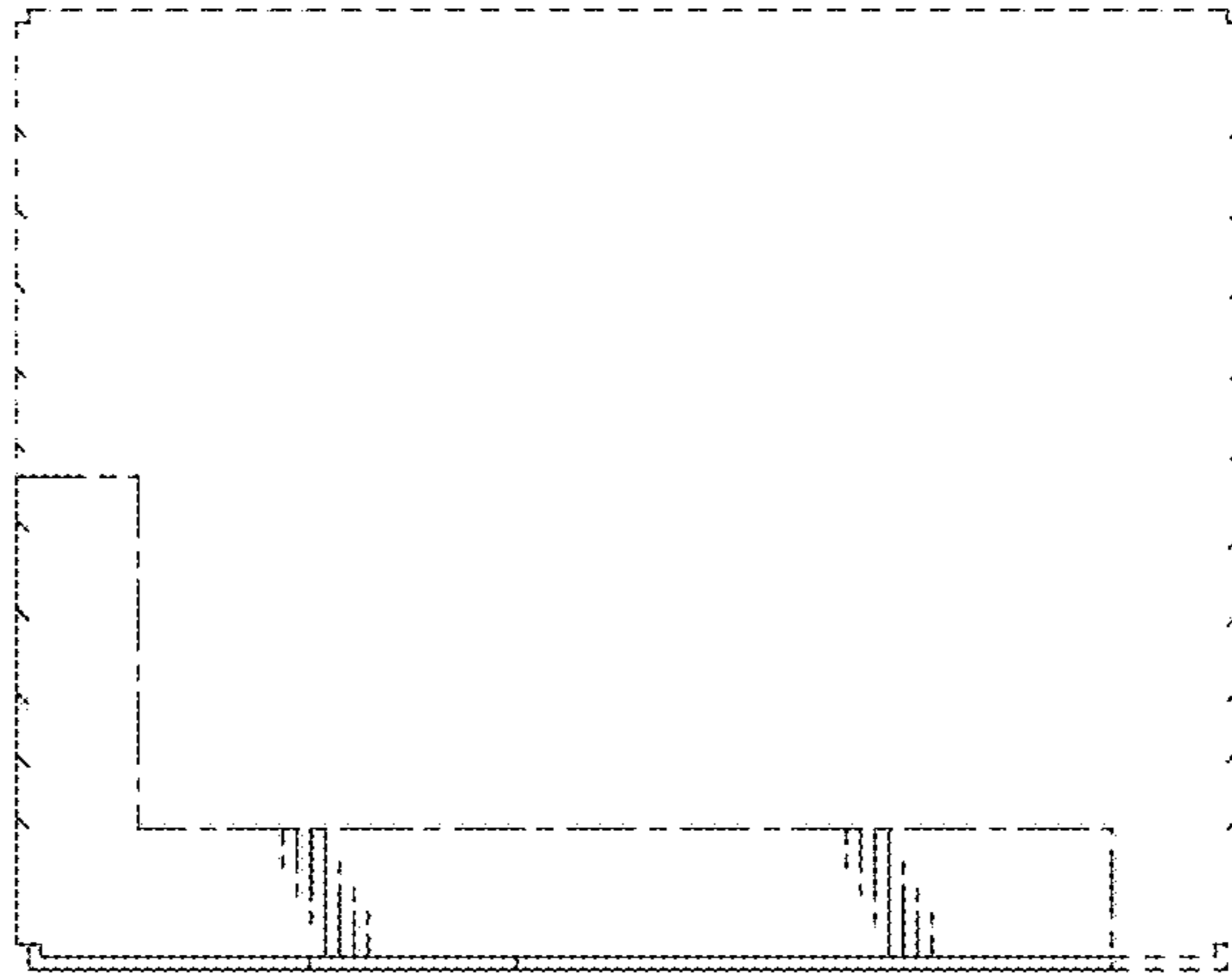


FIG.9

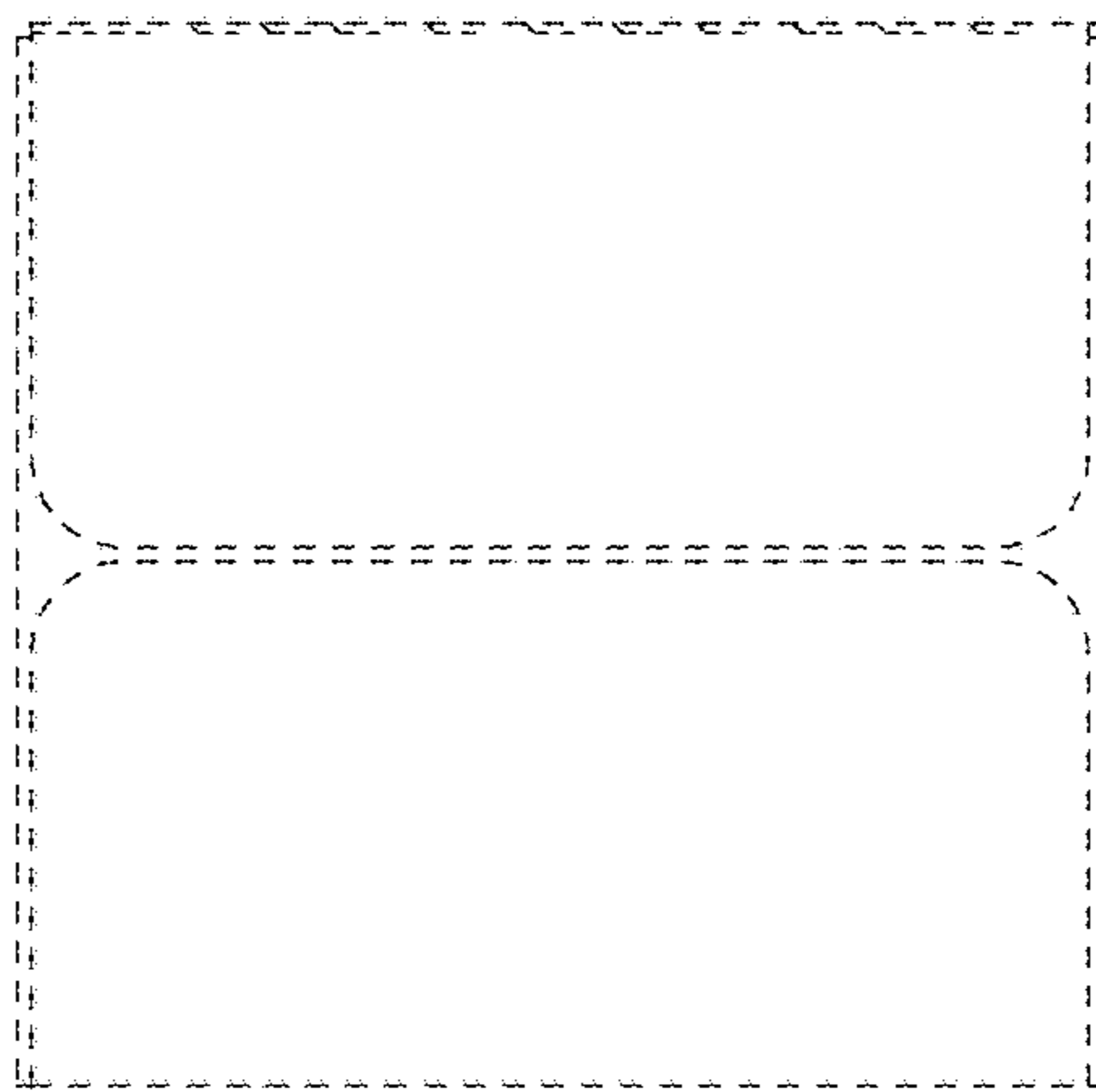


FIG.10

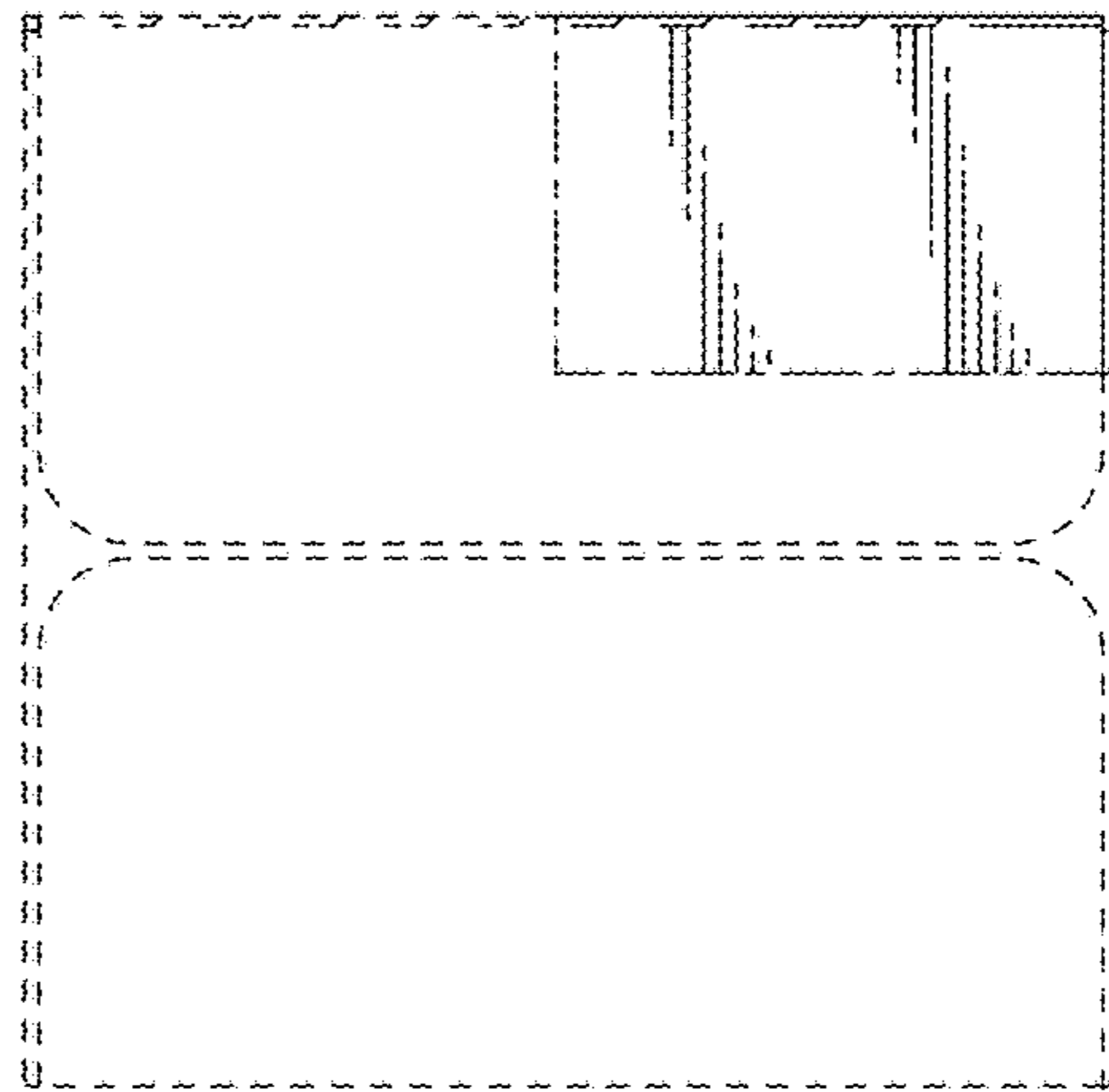


FIG. 11

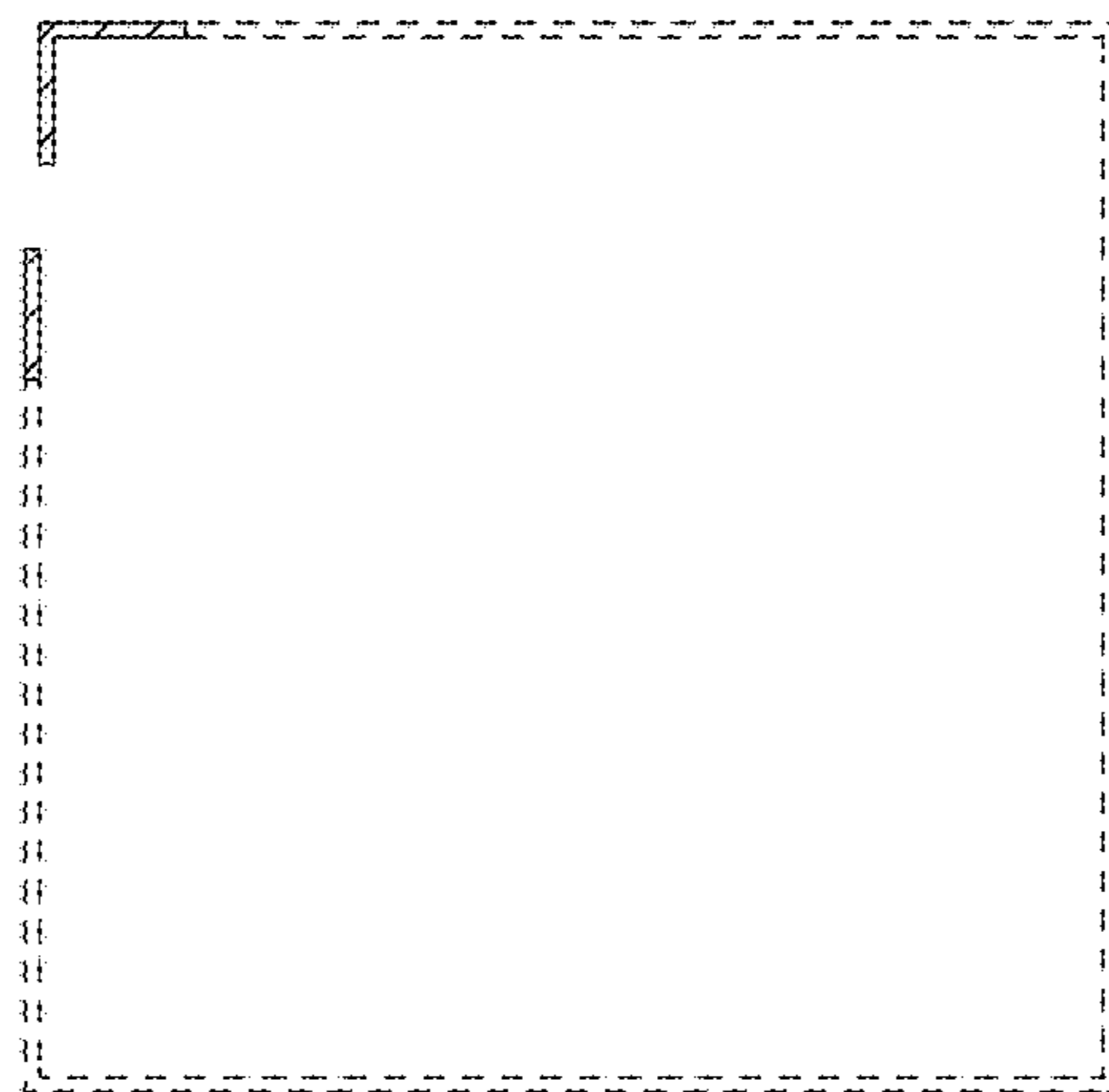


FIG. 12

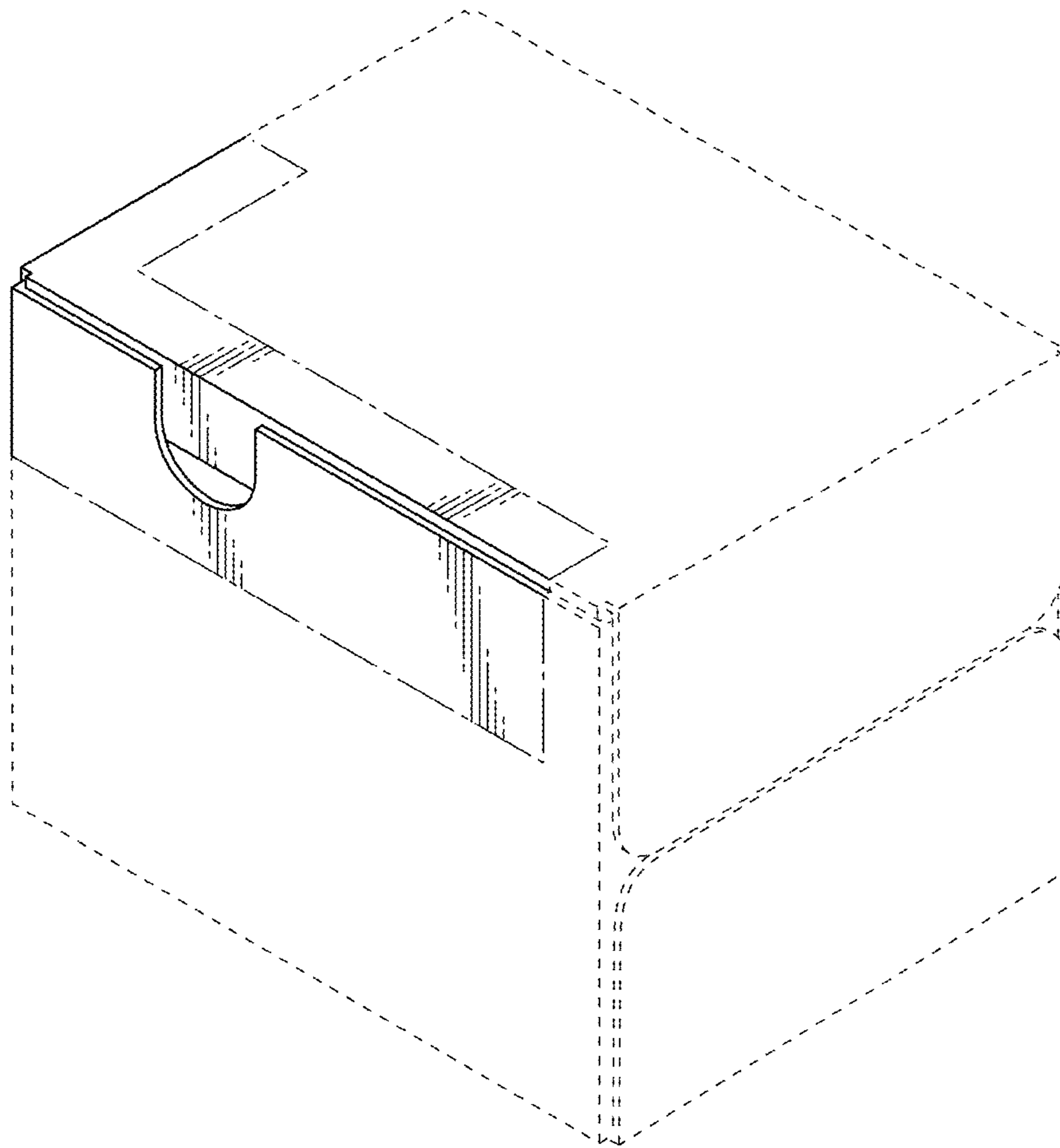


FIG.13

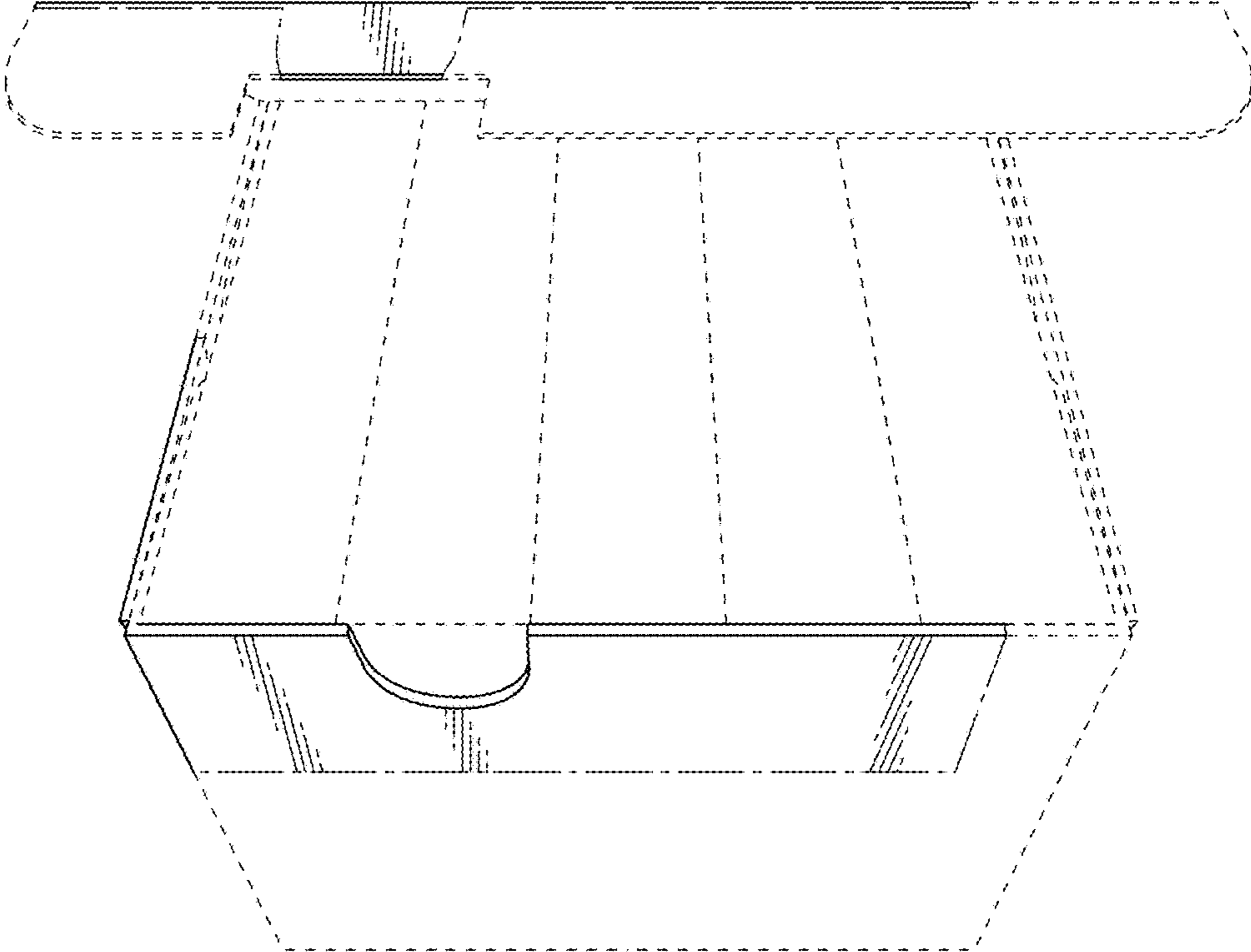


FIG.14