



US00D793227S

(12) **United States Design Patent** (10) **Patent No.:** **US D793,227 S**  
**Maskell** (45) **Date of Patent:** **\*\* Aug. 1, 2017**

(54) **CONTAINER FOR ICE CREAM**

(71) Applicant: **Conopco, Inc.**, Englewood Cliffs, NJ (US)

(72) Inventor: **William John Maskell**, Marlborough (GB)

(\*\*) Term: **15 Years**

(21) Appl. No.: **35/500,476**

(22) Filed: **Aug. 3, 2015**

(80) **Hague Agreement Data**

Int. Filing Date: **Aug. 3, 2015**

Int. Reg. No.: **DM/088816**

Int. Reg. Date: **Aug. 3, 2015**

Int. Reg. Pub. Date: **Jan. 8, 2016**

(30) **Foreign Application Priority Data**

Feb. 12, 2015 (EM) ..... 002632448-001

(51) **LOC (10) Cl.** ..... **09-01**

(52) **U.S. Cl.**

USPC ..... **D9/429; D7/602**

(58) **Field of Classification Search**

USPC ..... D9/414, 428, 429, 516, 530, 537-539,  
D9/549-552, 558, 563-565, 571;  
D7/601-603

CPC ..... B65D 1/22; B65D 1/30; B65D 43/021;  
B65D 2543/00148; B65D 2543/00194;  
B65D 2543/00296; B65D 2543/00509;  
B65D 2543/00546; B65D 2543/0062;  
B65D 2543/00685; B65D 2543/00731;  
B65D 2543/00796; B65D 2543/00842

See application file for complete search history.

(56) **References Cited**

U.S. PATENT DOCUMENTS

D213,174 S *	1/1969	Davis .....	229/400
D228,125 S *	8/1973	Weiss .....	D9/429
D672,617 S *	12/2012	Stamper .....	D7/602
D672,618 S *	12/2012	Stamper .....	D7/602
D673,010 S *	12/2012	Stamper .....	D7/602
D692,760 S *	11/2013	Rapparini .....	D9/425
D704,001 S *	5/2014	Lane .....	D7/509
D715,649 S *	10/2014	O'Brien .....	D9/500
D735,574 S *	8/2015	Brady .....	D9/428
D740,076 S *	10/2015	Hwang .....	D7/602
D746,641 S *	1/2016	Panone .....	D7/602
D753,482 S *	4/2016	Serrano .....	D9/428
D766,079 S *	9/2016	Shiffer .....	D9/428

OTHER PUBLICATIONS

Magnum Vanilla & Chocolate Container, Publicly available at least as early as Feb. 11, 2015.

\* cited by examiner

*Primary Examiner* — Keli L Hill

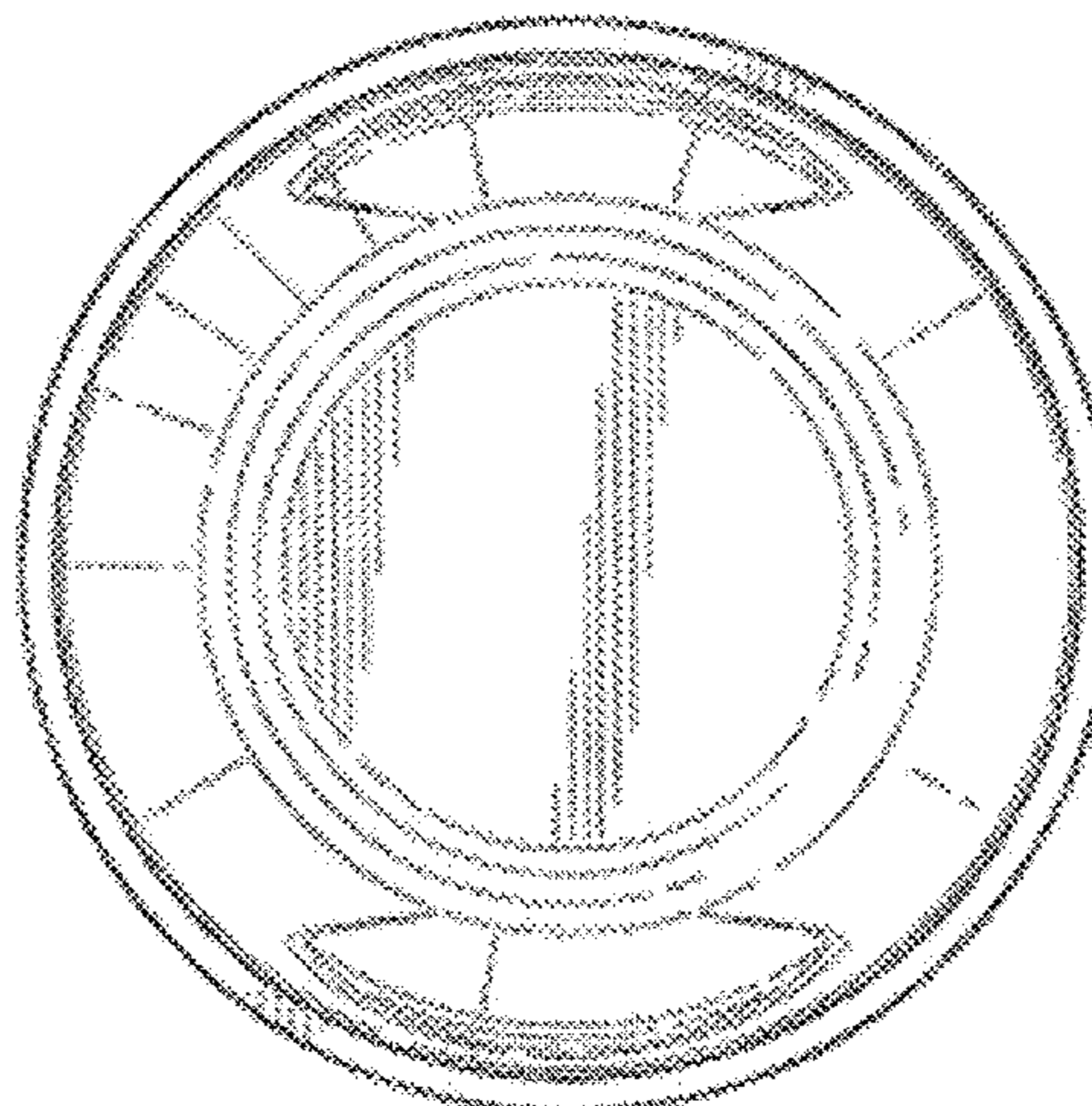
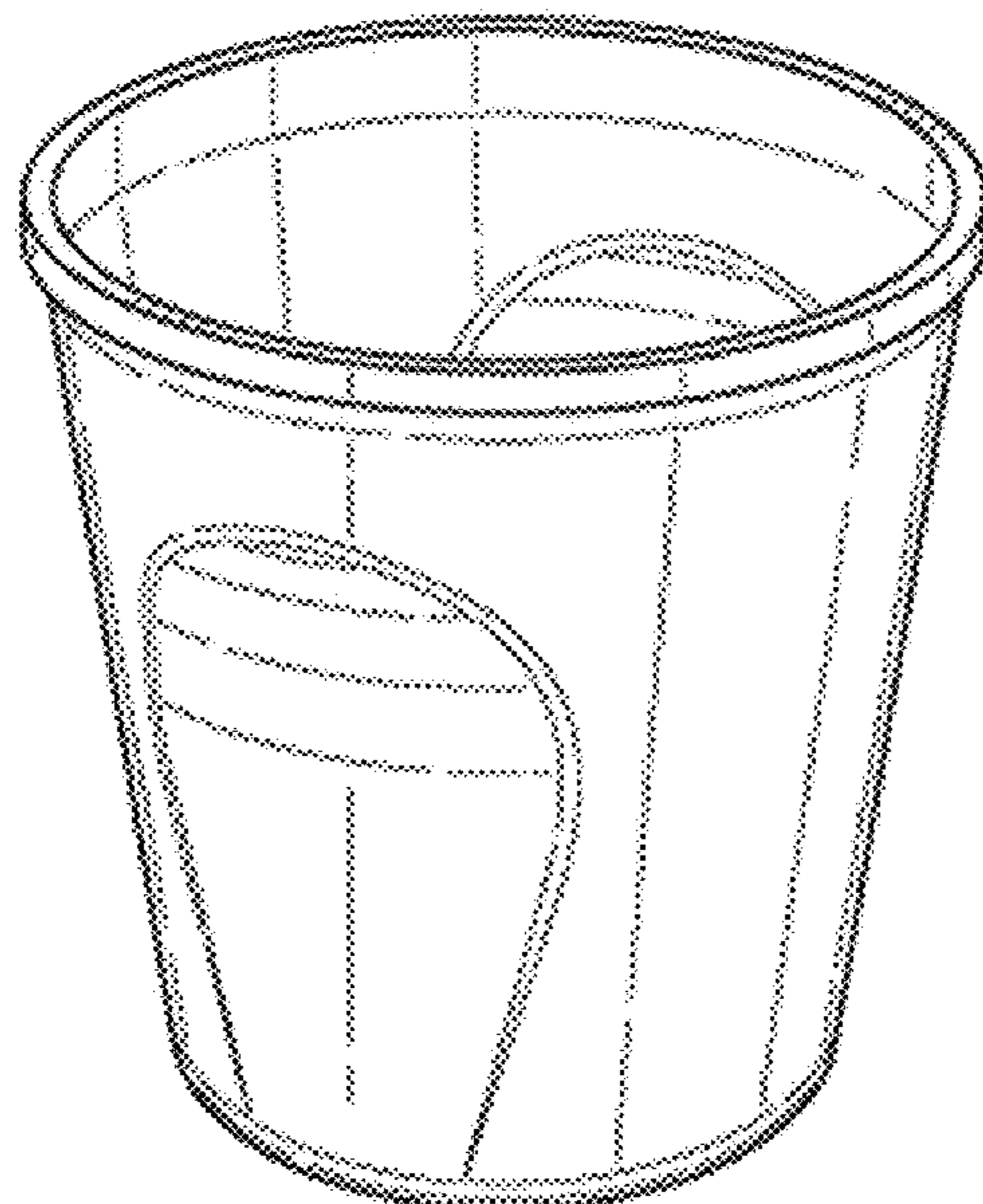
(57) **CLAIM**

The ornamental design for a container for ice cream, as shown and described.

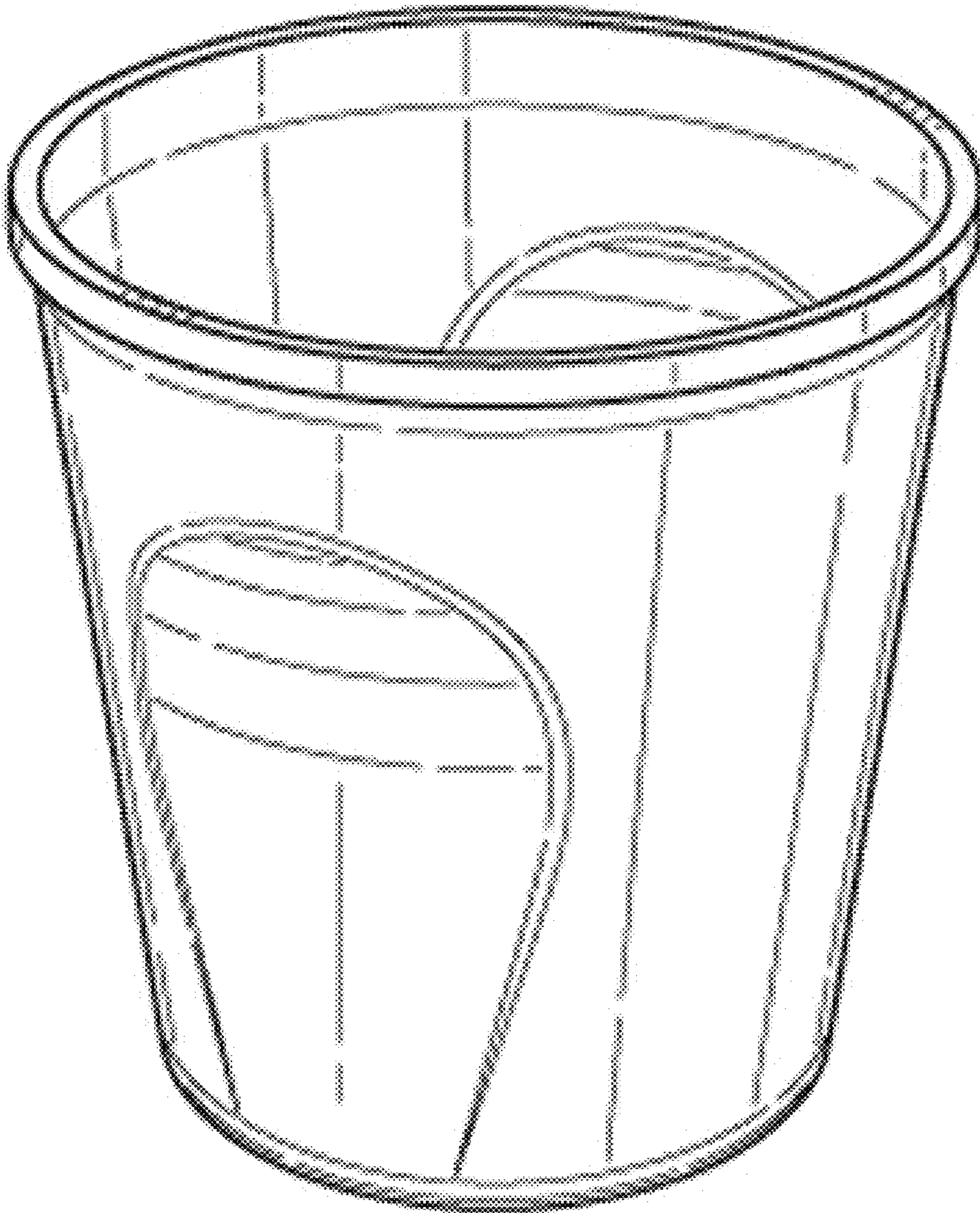
**DESCRIPTION**

1. Container for ice cream
- 1.1 is a front and side perspective view.
- 1.2 is a front elevation view, the rear elevation view being identical thereto.
- 1.3 is a side elevation view, the opposite side elevation view being identical thereto.
- 1.4 is a top plan view.
- 1.5 is a bottom plan view.

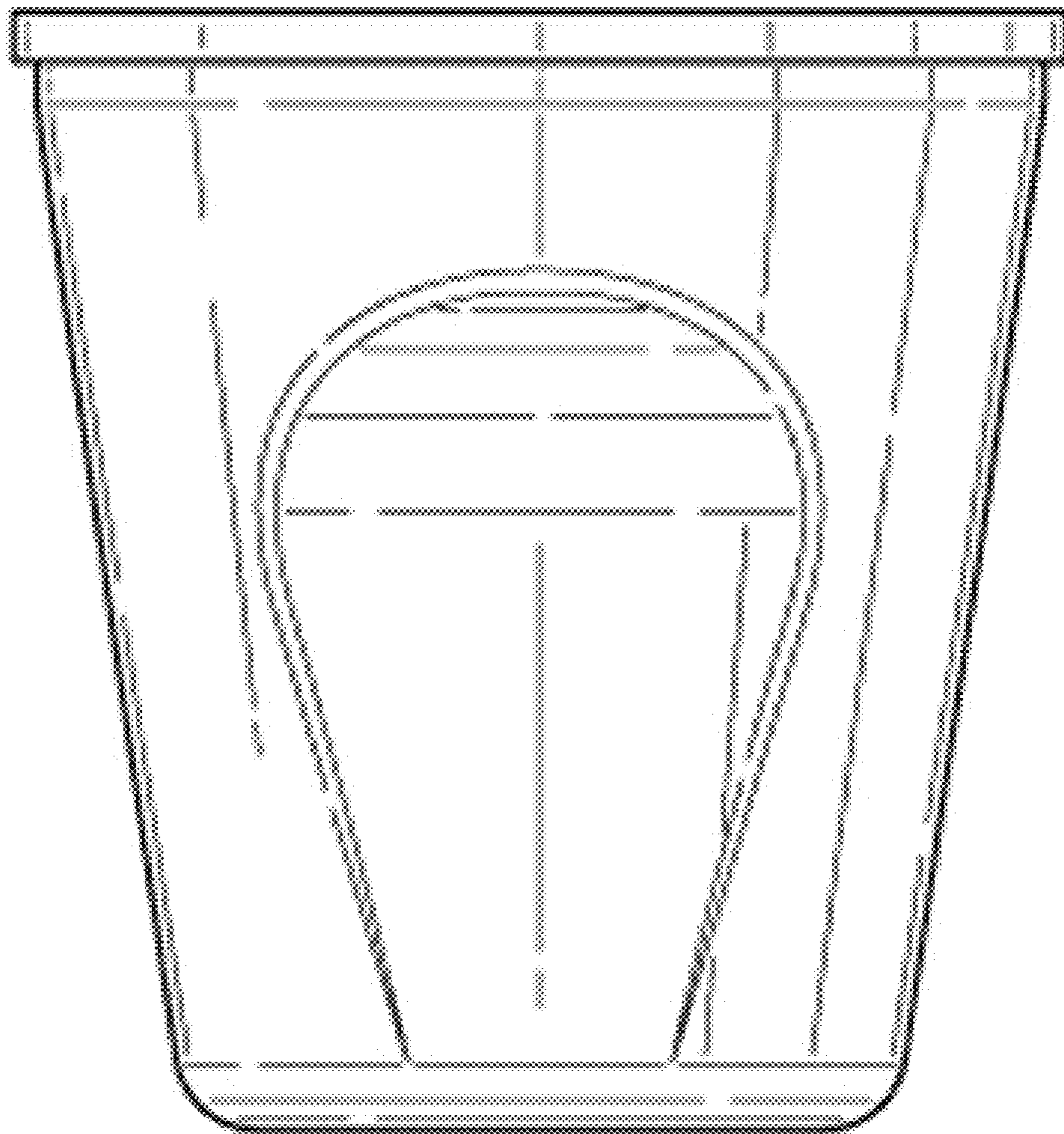
**1 Claim, 5 Drawing Sheets**



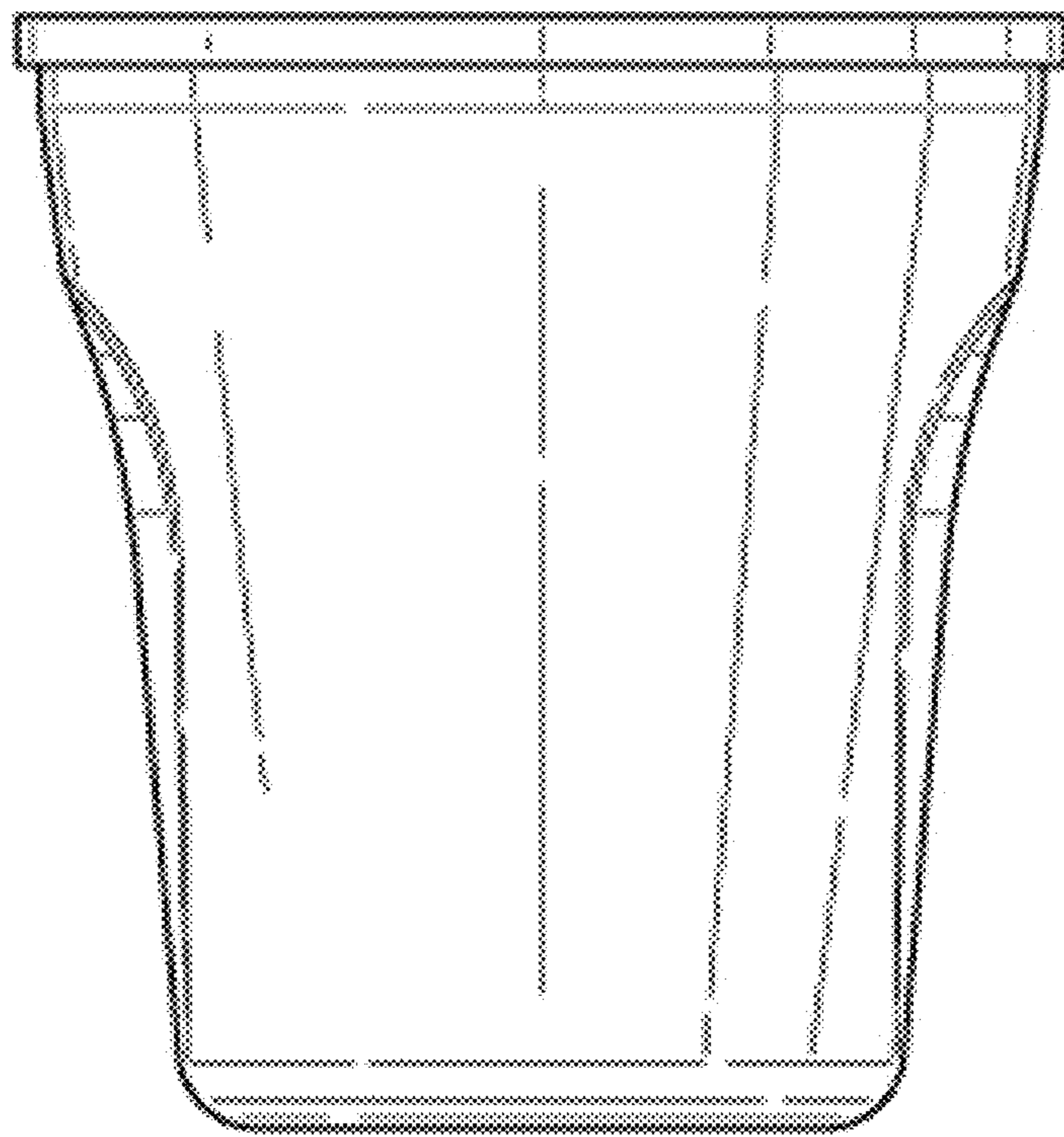
**1.1**



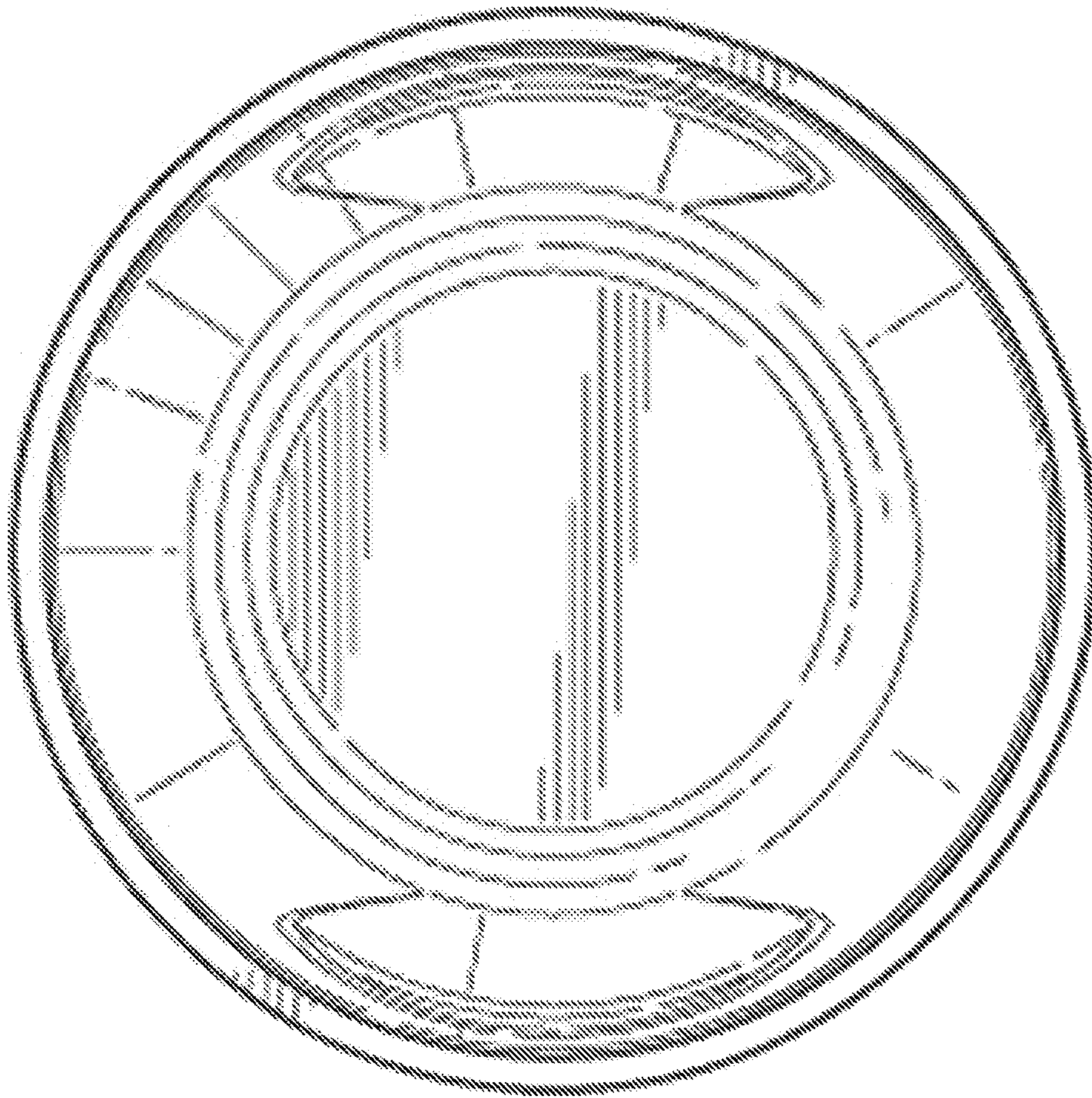
**1.2**



**1.3**



**1.4**



**1.5**

