



US00D793224S

(12) **United States Design Patent** (10) **Patent No.:** **US D793,224 S**
Sagardoy Muniesa et al. (45) **Date of Patent:** **** Aug. 1, 2017**

(54) **UNIVERSAL GLOVE DISPENSER**
 (71) Applicant: **Ansell Limited**, Richmond, Victoria (AU)
 (72) Inventors: **Monica Sagardoy Muniesa**, Richmond (AU); **Poobalan Subramaniam**, Kuala Lumpur (MY)
 (73) Assignee: **Ansell Limited**, Victoria (AU)

6,715,639 B2 * 4/2004 Spivey A47F 5/112
 221/305
 D532,685 S * 11/2006 Reussner D9/416
 D537,244 S * 2/2007 Danechi D3/205
 D549,093 S * 8/2007 Weakland D9/420
 D558,570 S * 1/2008 Sheppard D9/418
 D561,989 S * 2/2008 Jones D3/201
 D666,092 S * 8/2012 Dowden D9/418
 D681,378 S * 5/2013 Murphy
 D712,594 S * 9/2014 Heilman D28/76
 D729,060 S * 5/2015 Trombetta D9/418

(Continued)

(**) Term: **15 Years**

OTHER PUBLICATIONS

(21) Appl. No.: **29/558,131**

Ansell GAMMEX Non-Latex PF Sterile Gloves, [online] Published date unknown, Retrieved on Nov. 18, 2016 from <URL: <http://www.medshop.com.au/products/ansell-gammex-non-latex-pf-sterile-gloves>>.*

(Continued)

(22) Filed: **Mar. 15, 2016**

(51) **LOC (10) Cl.** **09-03**

(52) **U.S. Cl.**
USPC **D9/416; D9/432**

(58) **Field of Classification Search**
 USPC D9/414-434, 442-445, 456, 457, 542, D9/563, 600, 614-624, 655, 657, 658, D9/661, 695, 697-699, 707, 708, 711, D9/759, 772-776; D3/273, 276, 304, D3/310-313; D7/601, 602
 CPC B65D 5/00; B65D 5/001; B65D 5/0015; B65D 5/1209; B65D 5/0227-5/0254; B65D 5/18

See application file for complete search history.

Primary Examiner — Vy Koenig
Assistant Examiner — Omeed Agilee
 (74) *Attorney, Agent, or Firm* — Moser Taboada

(57) **CLAIM**

The ornamental design for a universal glove dispenser, as shown and described.

DESCRIPTION

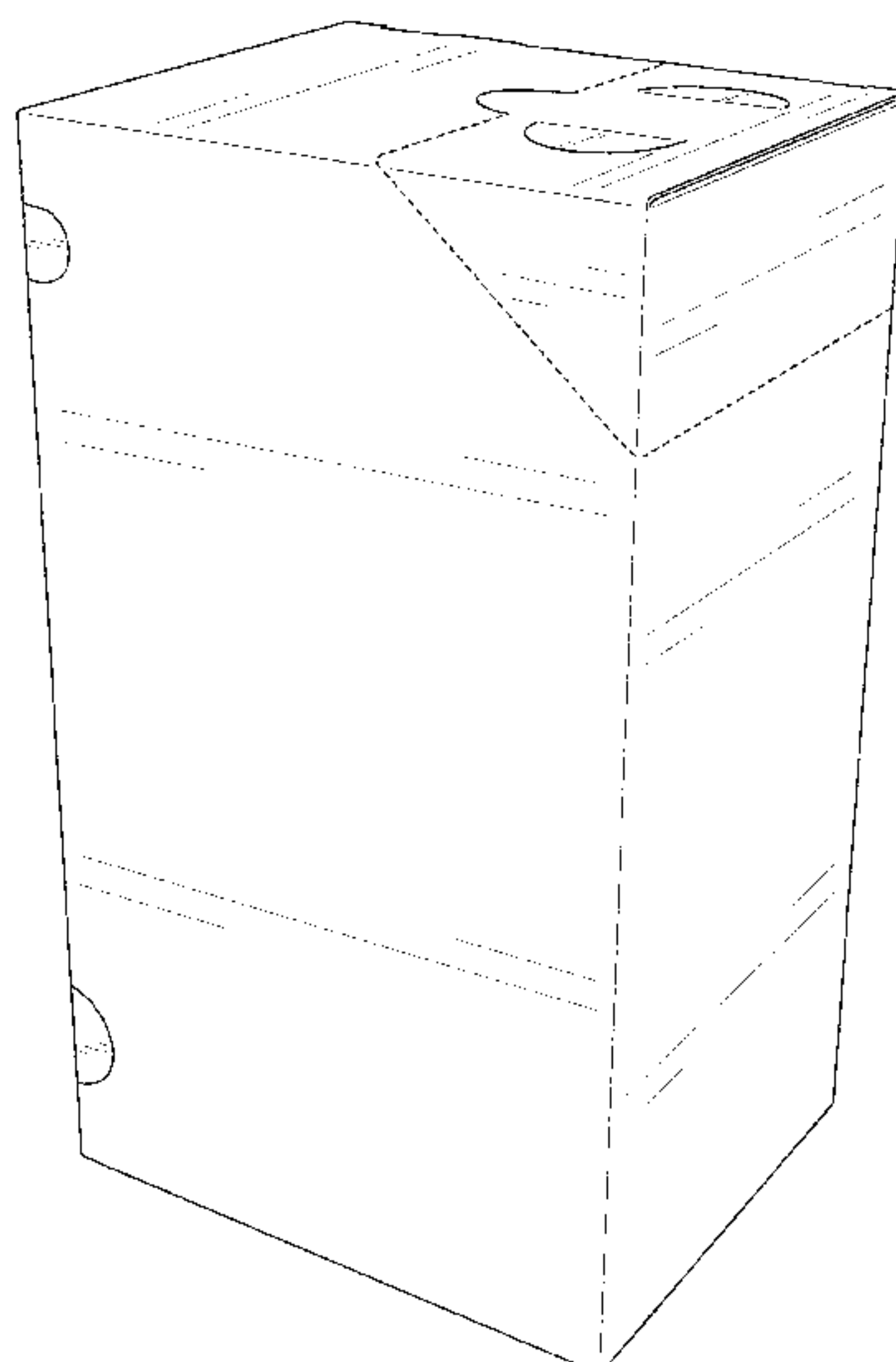
FIG. 1 is a top, right and back perspective view of a universal glove dispenser, showing the novel design; FIG. 2 is a right side elevational view thereof; FIG. 3 is a left side elevational view thereof; FIG. 4 is a back side elevational view thereof; FIG. 5 is a front side elevational view thereof; FIG. 6 is a top plan view thereof; and, FIG. 7 is a bottom plan view thereof. The broken lines depicted in any of the FIGS. 1-7 are perforations visible on surfaces of the universal glove dispenser and the broken lines form part of the claimed design.

1 Claim, 7 Drawing Sheets

(56) **References Cited**

U.S. PATENT DOCUMENTS

2,126,106 A * 8/1938 Goldberg B65D 5/4204
 206/443
 D269,068 S * 5/1983 Mann, Sr. D9/416
 D329,376 S * 9/1992 Burd D9/418
 D375,010 S 10/1996 Karnes
 D387,981 S 12/1997 Mosior et al.
 D415,914 S 11/1999 Shields
 D454,784 S * 3/2002 Oram D9/416
 6,488,175 B2 12/2002 Shiffler et al.



(56)

References Cited

U.S. PATENT DOCUMENTS

2005/0000975 A1 1/2005 Carco et al.
2006/0049199 A1 3/2006 West
2007/0215628 A1 9/2007 Tramontina
2011/0062179 A1 3/2011 Stollery et al.
2012/0273513 A1* 11/2012 Stephens A47K 10/42
221/45
2014/0061220 A1 3/2014 Kowal

OTHER PUBLICATIONS

“Sterile Glove Dispensers”, abc Safety mart.com, <http://www.abcsafetymart.com/product-dispensers/work-glove-dispensers.html>.

“Glove Dispensers”, S-curve technologies, http://s-curve.com/index.php/dispensers/by_product/13.

“S-Curve”, Versatile Scientific Products, <http://versatilescientificproducts.com/medical-html/garments/gloves/s-curve-cleanroom-exam-glove-dispenser-10-25-wx11-hx3-5-d-light-weight-clear-acrylic-holds-2-boxes-with-hardware-for-wall-mount-5-case-ebd-2000.html>.

* cited by examiner

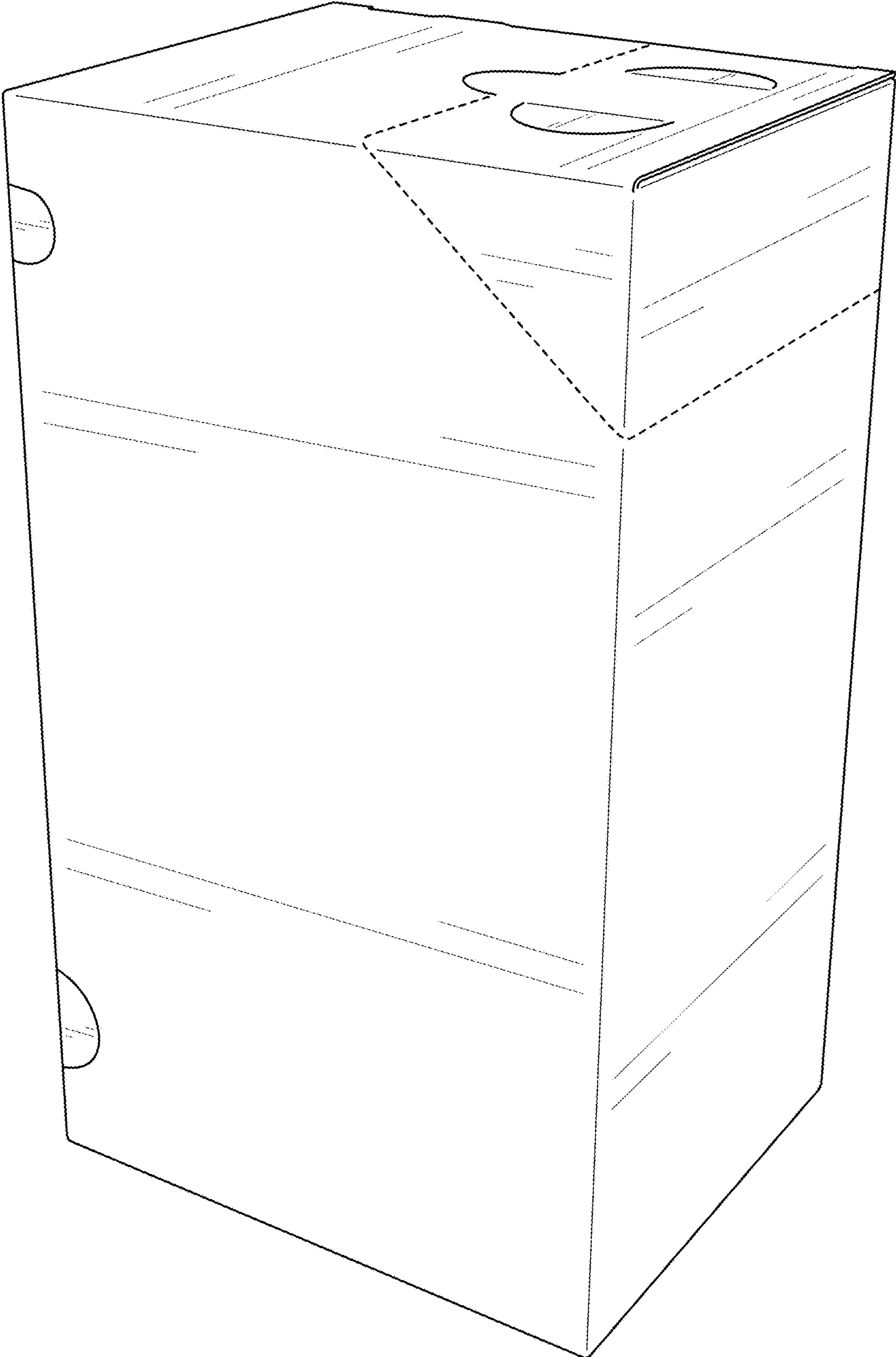


FIG. 1

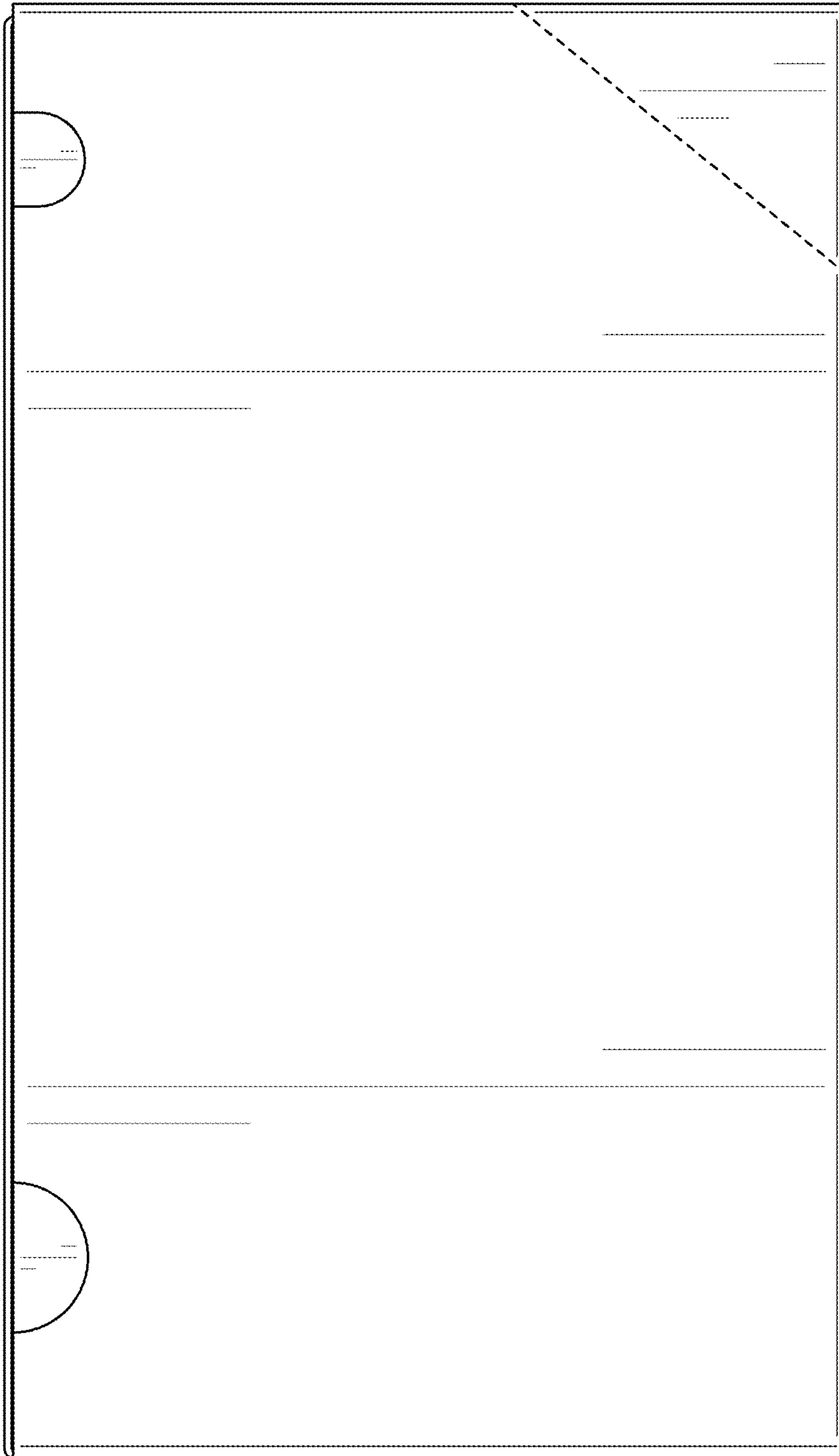


FIG. 2

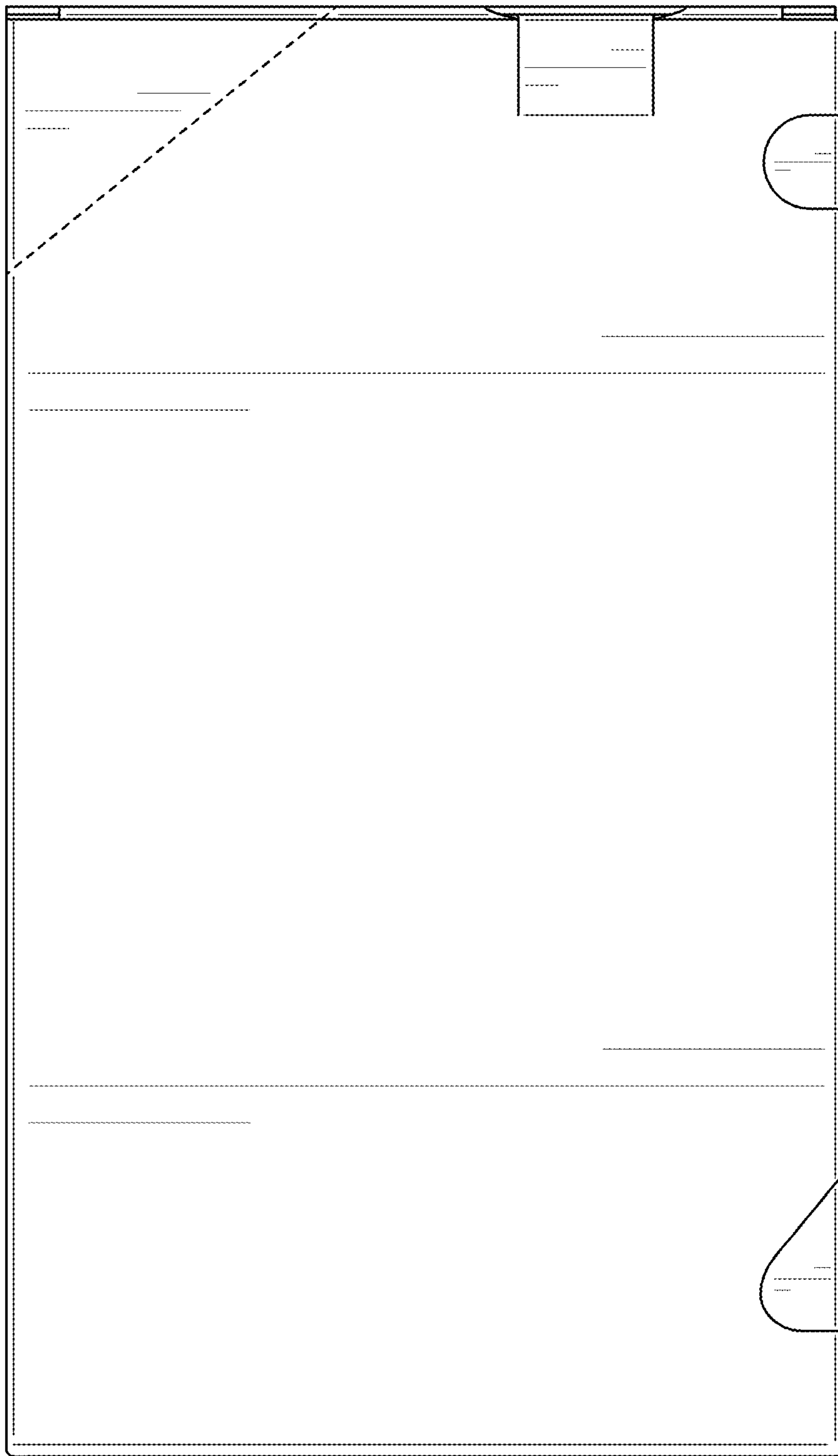


FIG. 3

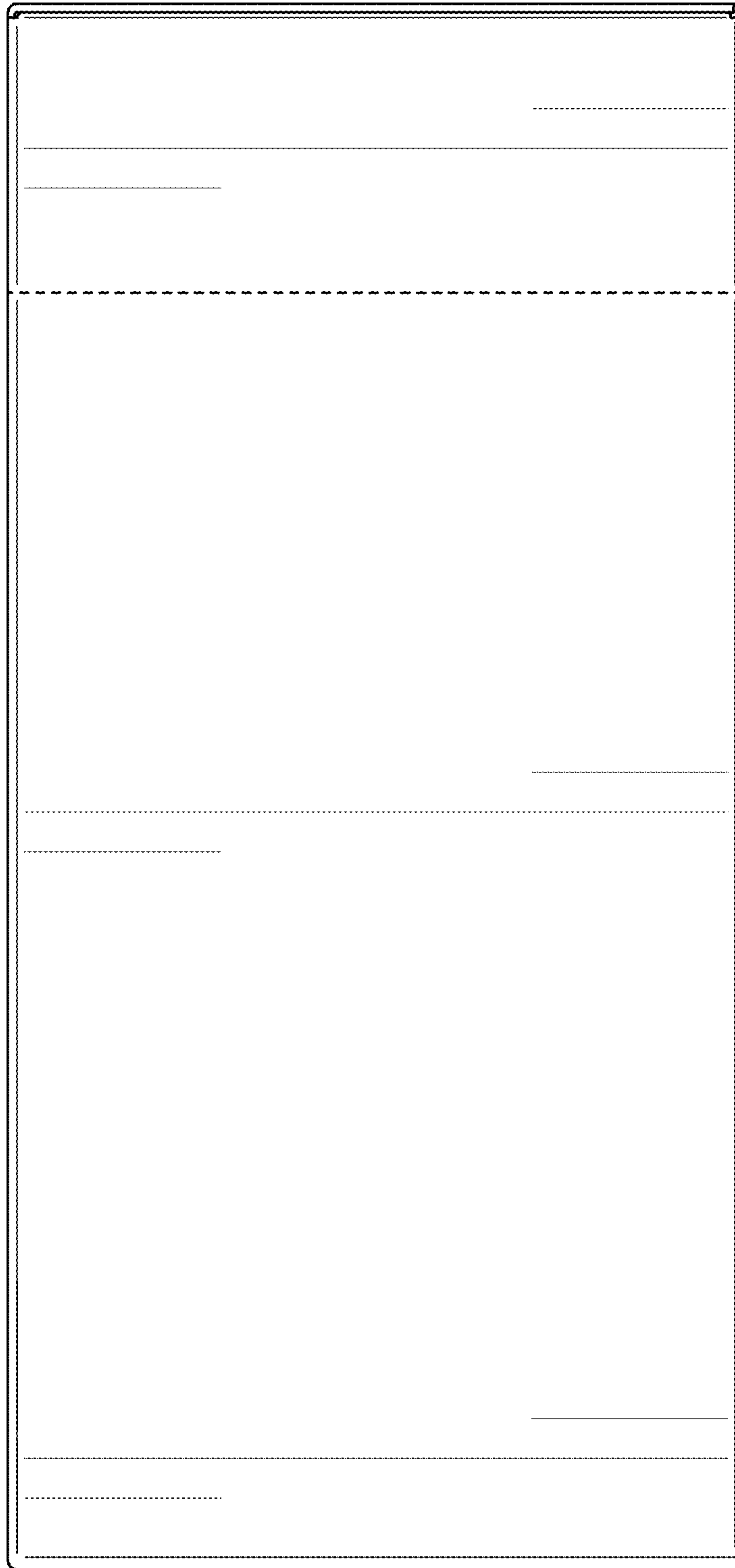


FIG. 4

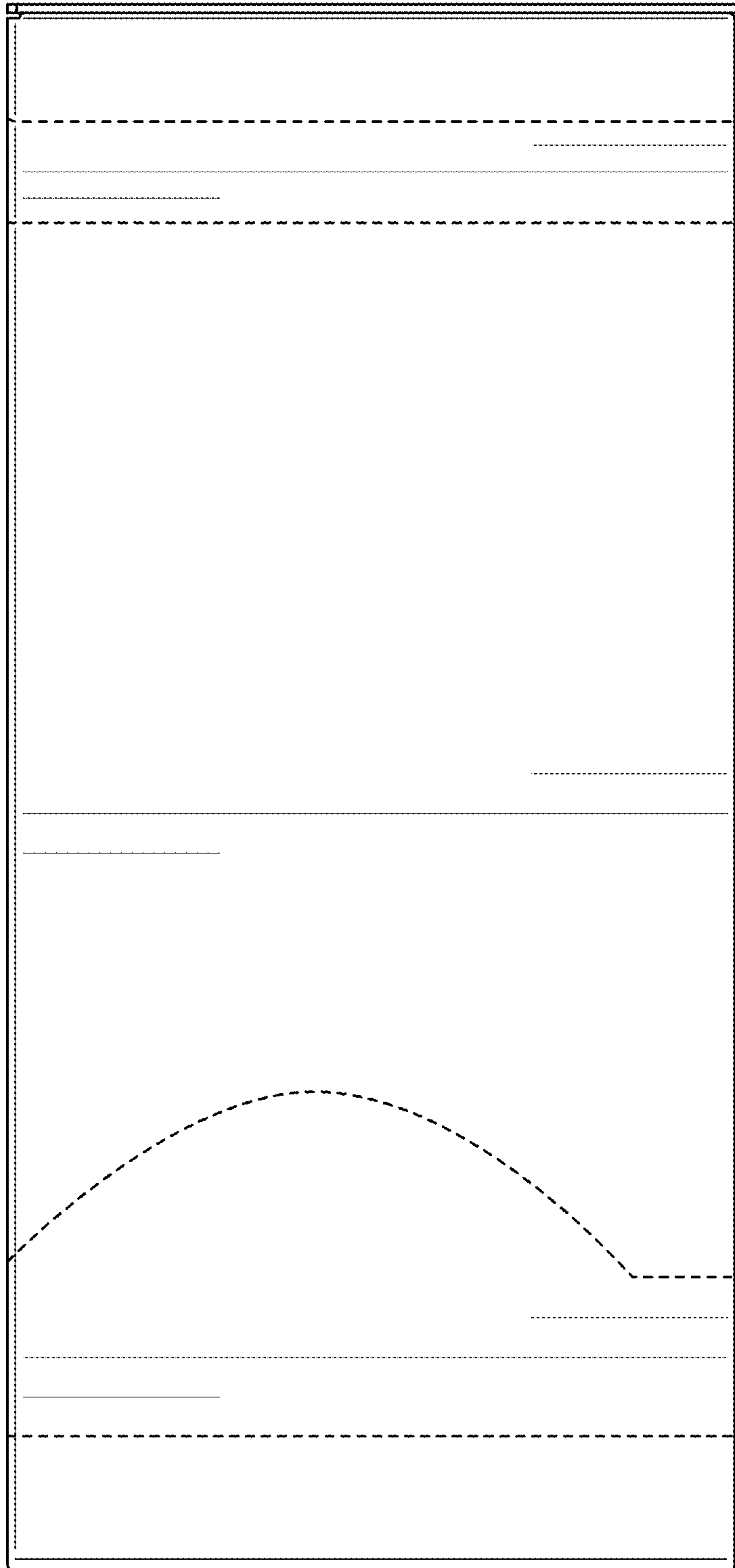


FIG. 5

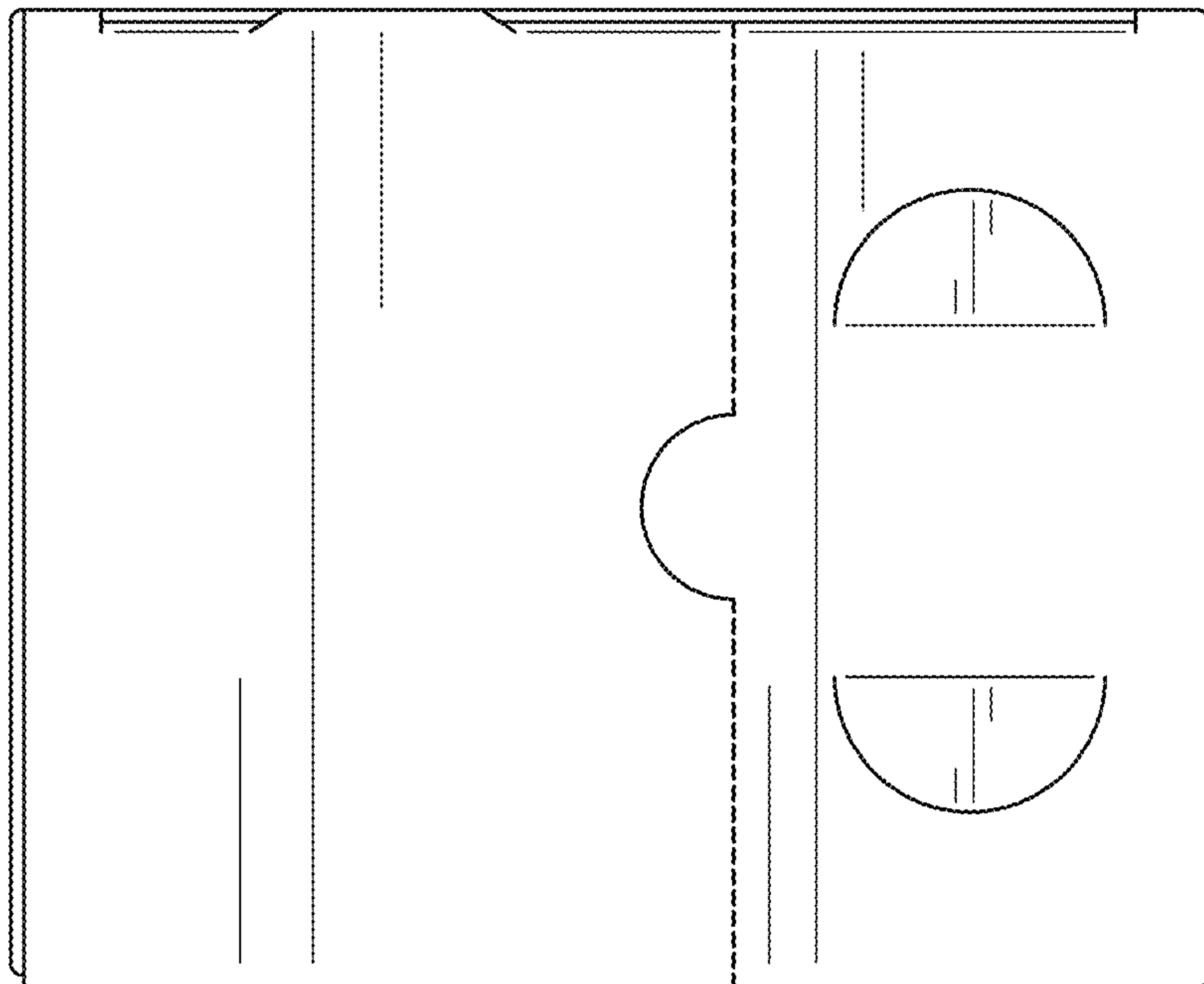


FIG. 6

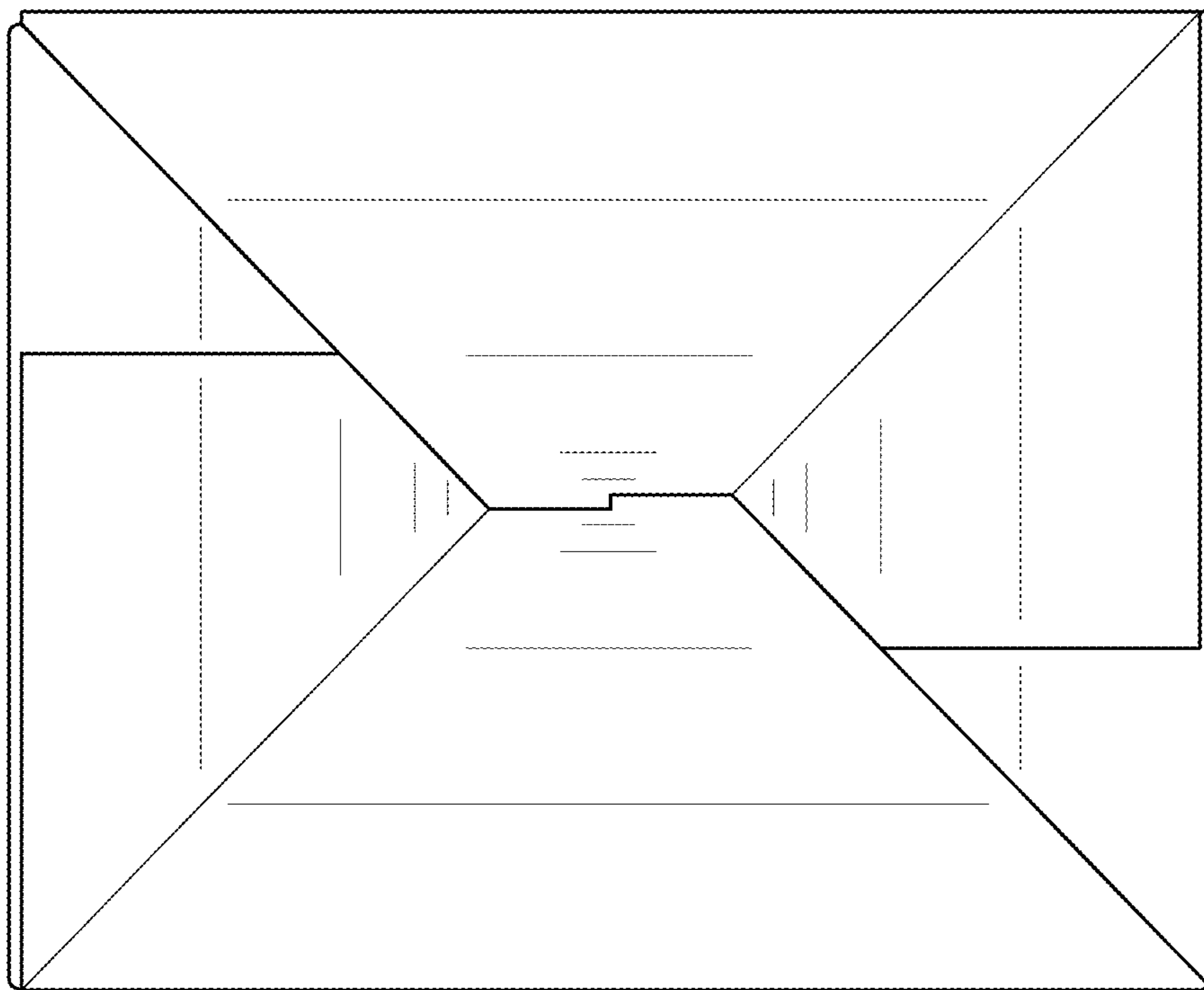


FIG. 7