



US00D793222S

(12) **United States Design Patent** (10) **Patent No.:** **US D793,222 S**
Boyea (45) **Date of Patent:** **** Aug. 1, 2017**

- (54) **TRANSFORMATIVE BOX FOR A RECEPTACLE**
- (71) Applicant: **Christopher E. Boyea**, Burnt Hills, NY (US)
- (72) Inventor: **Christopher E. Boyea**, Burnt Hills, NY (US)
- (**) Term: **15 Years**
- (21) Appl. No.: **29/562,837**
- (22) Filed: **Apr. 29, 2016**
- (51) **LOC (10) Cl.** **09-03**
- (52) **U.S. Cl.**
USPC **D9/414**
- (58) **Field of Classification Search**
USPC D9/414, 418, 423, 430, 431, 415, 421, D9/711; D6/601; 229/114, 155
CPC B65D 5/18; B65D 5/2047
See application file for complete search history.

- (56) **References Cited**
U.S. PATENT DOCUMENTS
- | | | | | | |
|-----------|-----|--------|----------|-------|-------------|
| 2,042,796 | A * | 6/1936 | Murray | | B65D 5/18 |
| | | | | | 229/114 |
| 5,411,204 | A * | 5/1995 | DeMay | | B65D 5/2047 |
| | | | | | 229/114 |
| D492,594 | S * | 7/2004 | Nash | | D9/415 |
| D495,251 | S * | 8/2004 | Zack | | D9/430 |
| D519,366 | S * | 4/2006 | Epstein | | D9/431 |
| D561,023 | S * | 2/2008 | Jacxsens | | D9/431 |
| D684,465 | S * | 6/2013 | Vernon | | D9/421 |
| D699,591 | S * | 2/2014 | Malley | | D9/711 |

- | | | | | | |
|--------------|------|---------|-------------|-------|-------------|
| D703,977 | S * | 5/2014 | Roberts | | D6/601 |
| D713,175 | S * | 9/2014 | Roberts | | D6/601 |
| D739,228 | S * | 9/2015 | Jondal | | D9/421 |
| 9,216,837 | B2 * | 12/2015 | Hubbard | | B65D 5/2047 |
| D746,677 | S * | 1/2016 | Candelaria | | D9/430 |
| D762,468 | S * | 8/2016 | Pantelleria | | D9/423 |
| D769,114 | S * | 10/2016 | Montemayor | | D9/431 |
| 2007/0017964 | A1 * | 1/2007 | Kamolsuwan | | B65D 5/2047 |
| | | | | | 229/155 |

* cited by examiner

Primary Examiner — Rhea Shields

(74) *Attorney, Agent, or Firm* — Schmeiser, Olsen & Watts, LLP

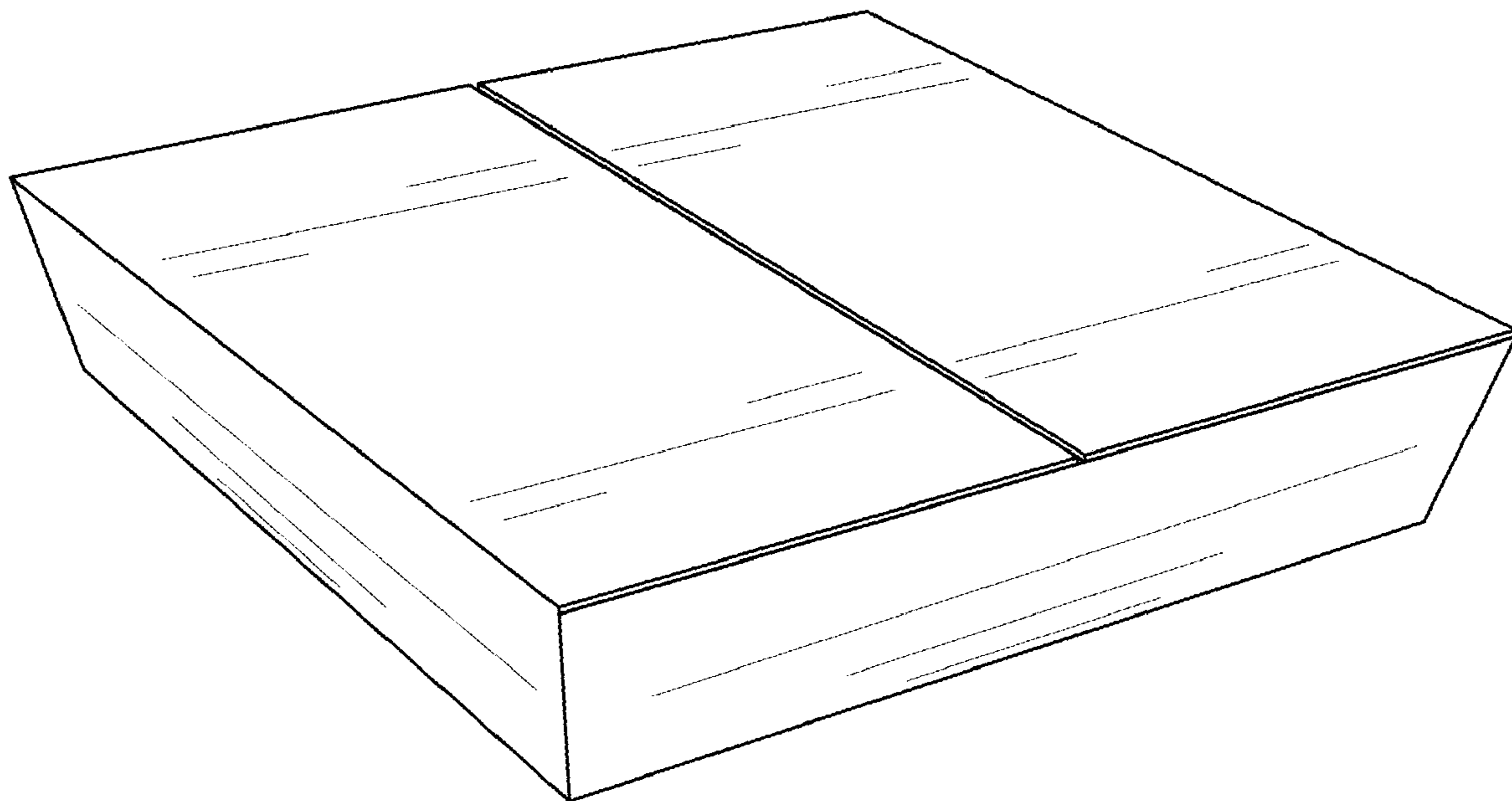
(57) **CLAIM**

The ornamental design for a portion of a transformative box for a receptacle, as shown and described.

DESCRIPTION

FIG. 1 is a front, perspective view of an embodiment of a transformative box for a receptacle of our new design, in a first position;
 FIG. 2 is a front view thereof;
 FIG. 3 is a side view thereof;
 FIG. 4 is a bottom view thereof;
 FIG. 5 is a front, perspective view of an embodiment of the transformative box for a receptacle, in a second position;
 FIG. 6 is a front, perspective view of an embodiment of the transformative box for a receptacle, in a third position; and,
 FIG. 7 is a top view thereof.
 A transitional process is shown in FIGS. 1-7; the process or period in which one position of the box transitions to another positions forms no part of the claimed design.

1 Claim, 7 Drawing Sheets



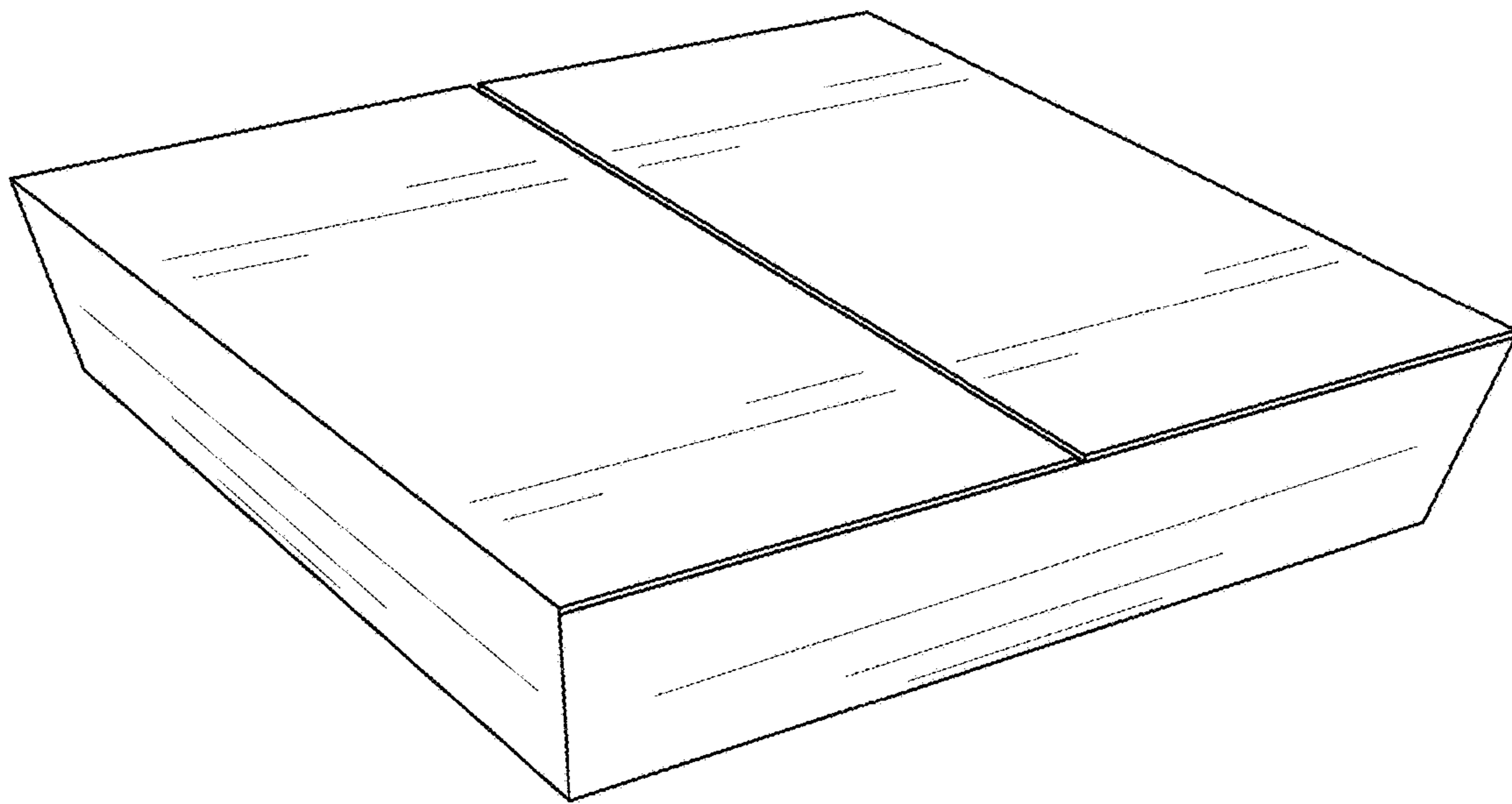


FIG. 1

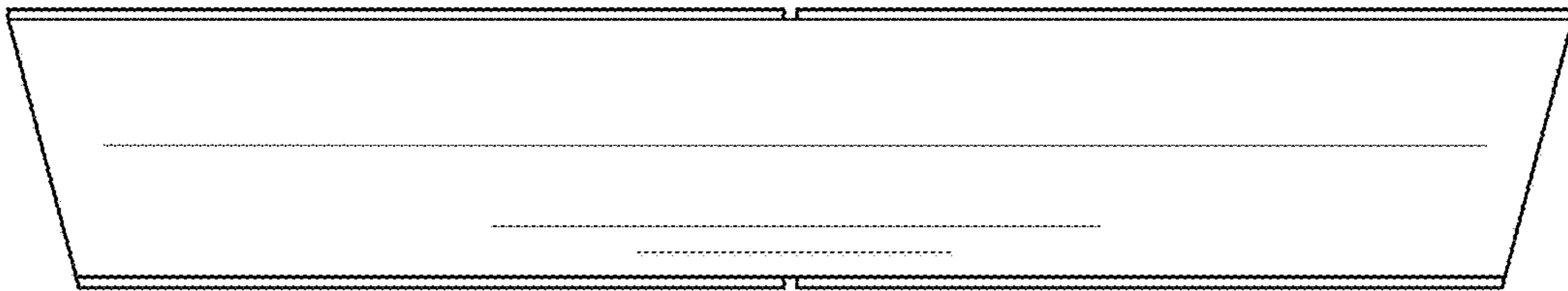


FIG. 2

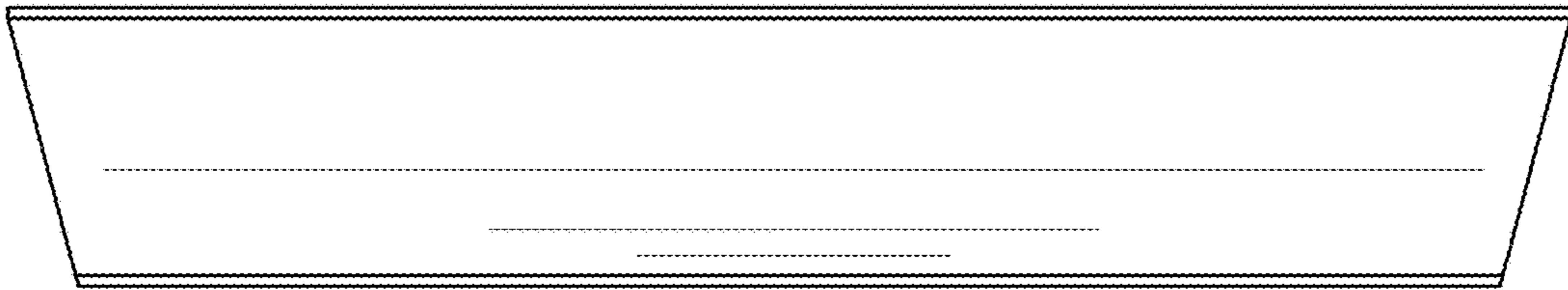


FIG. 3

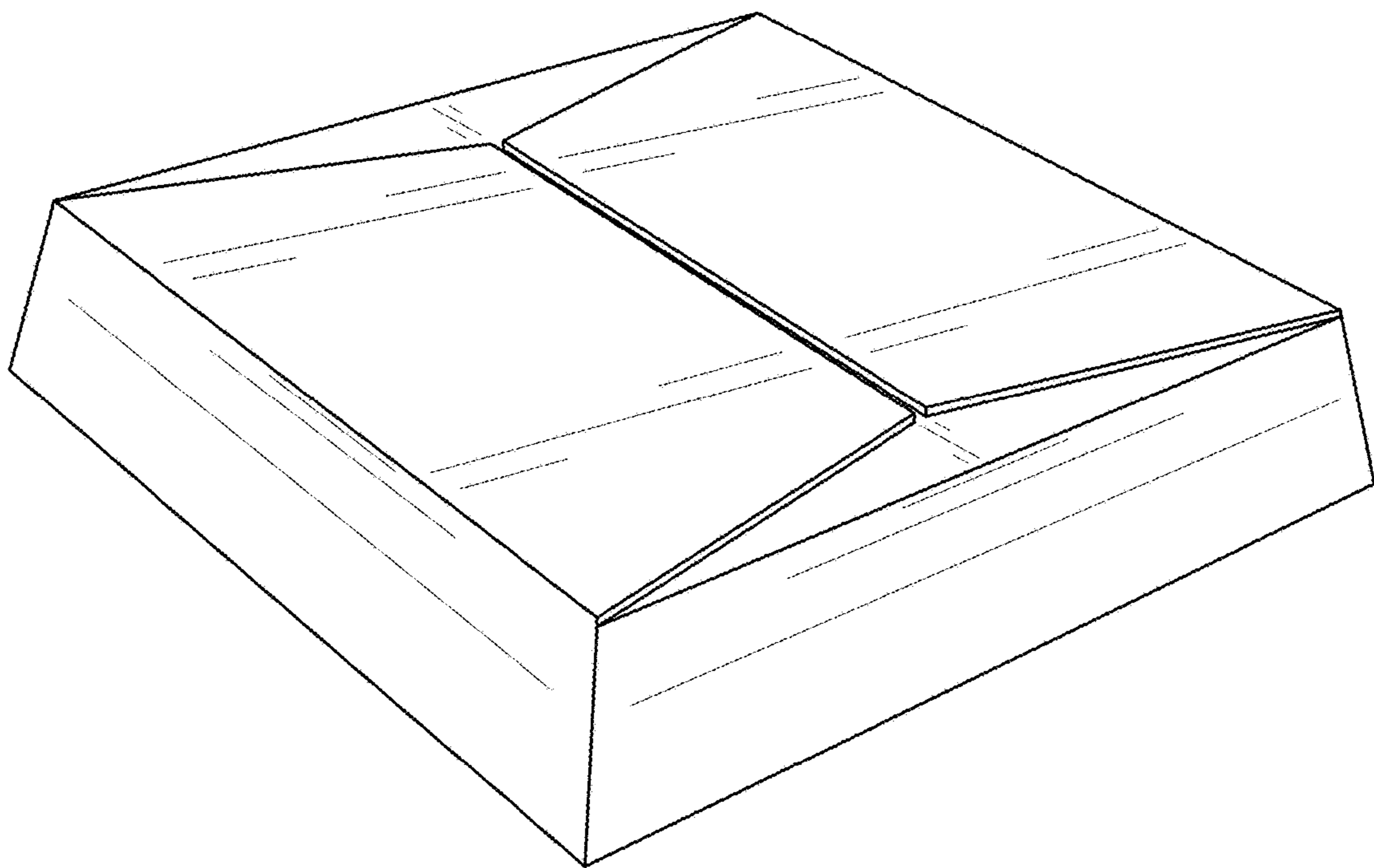


FIG. 4

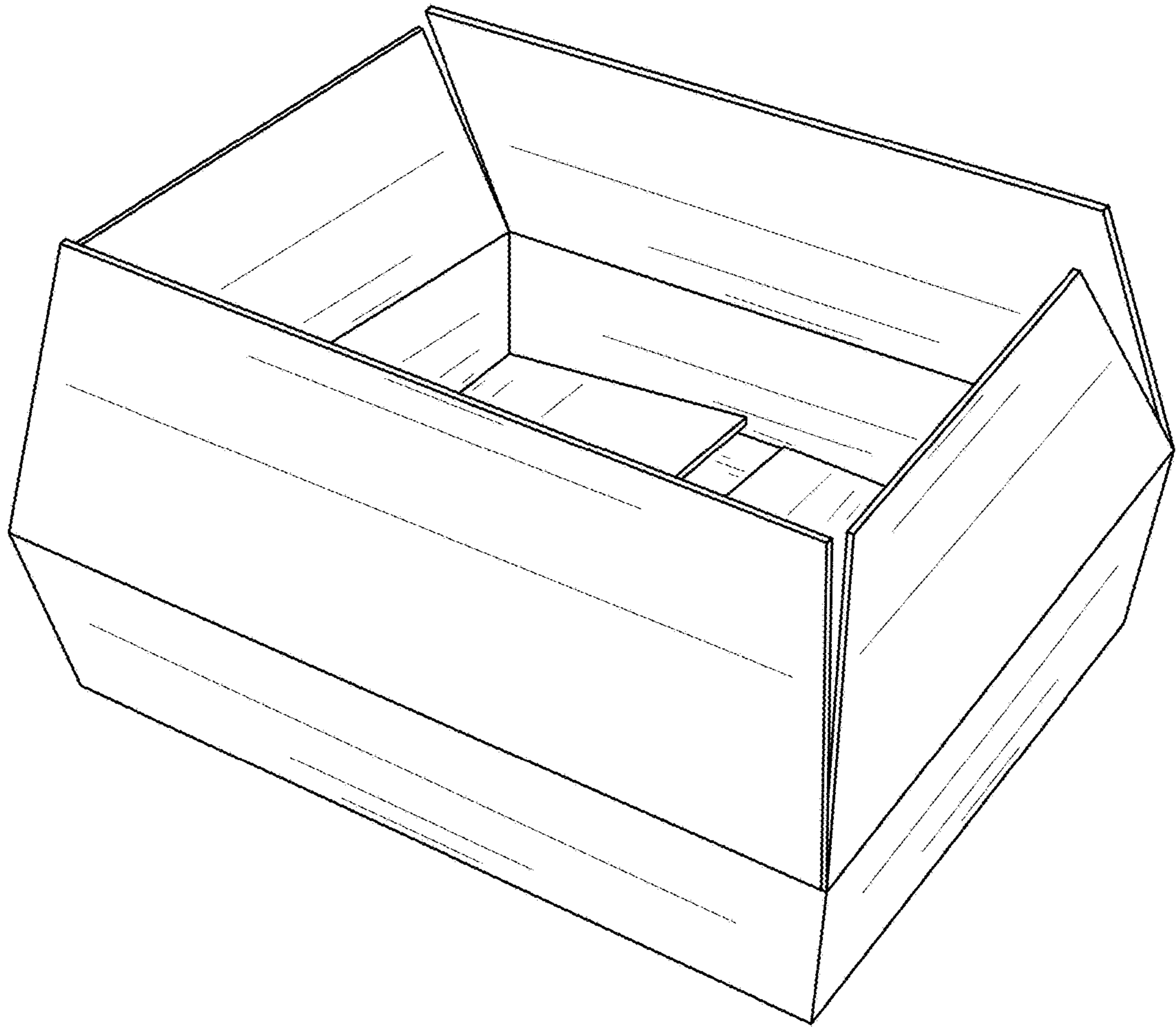


FIG. 5

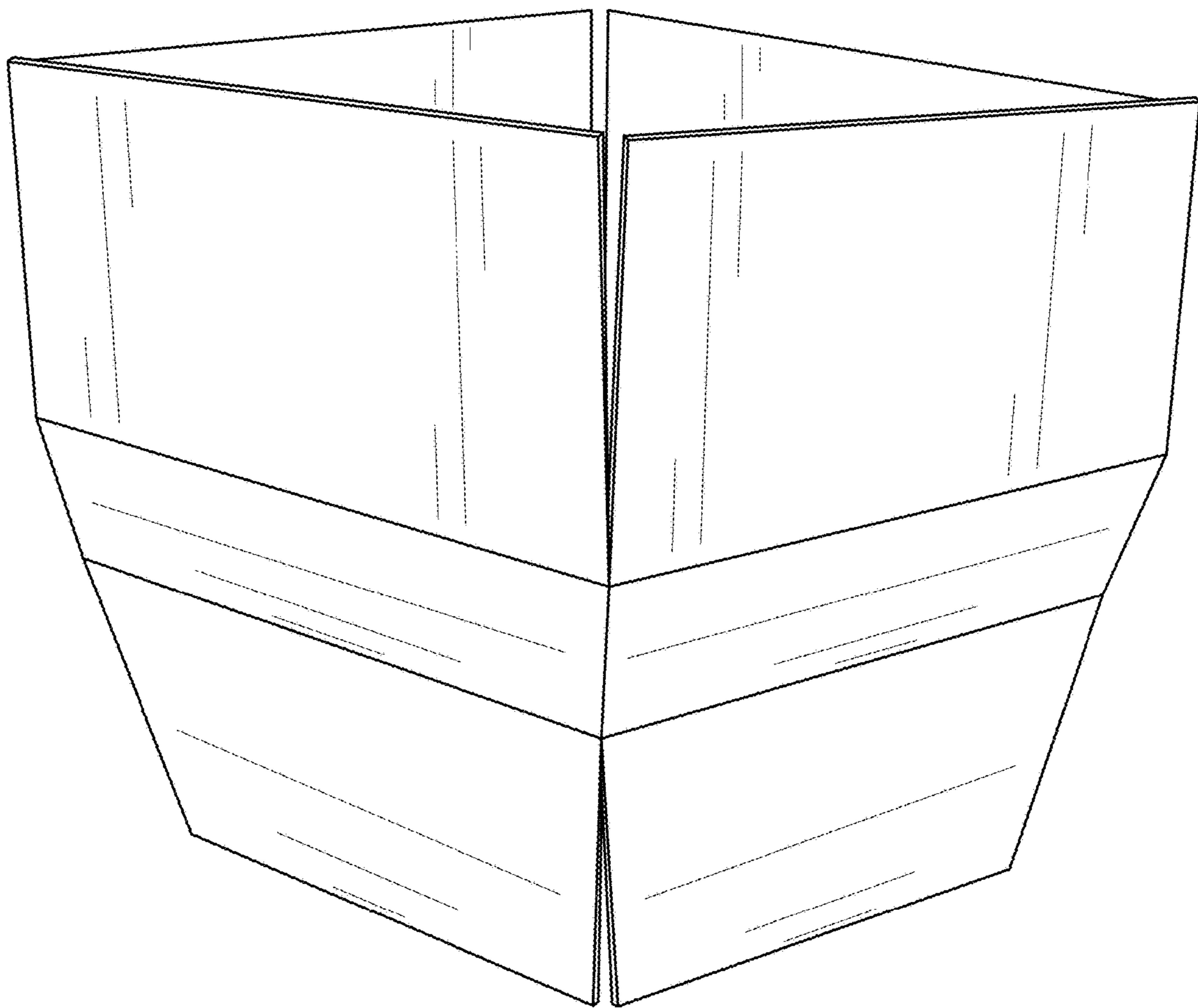


FIG. 6

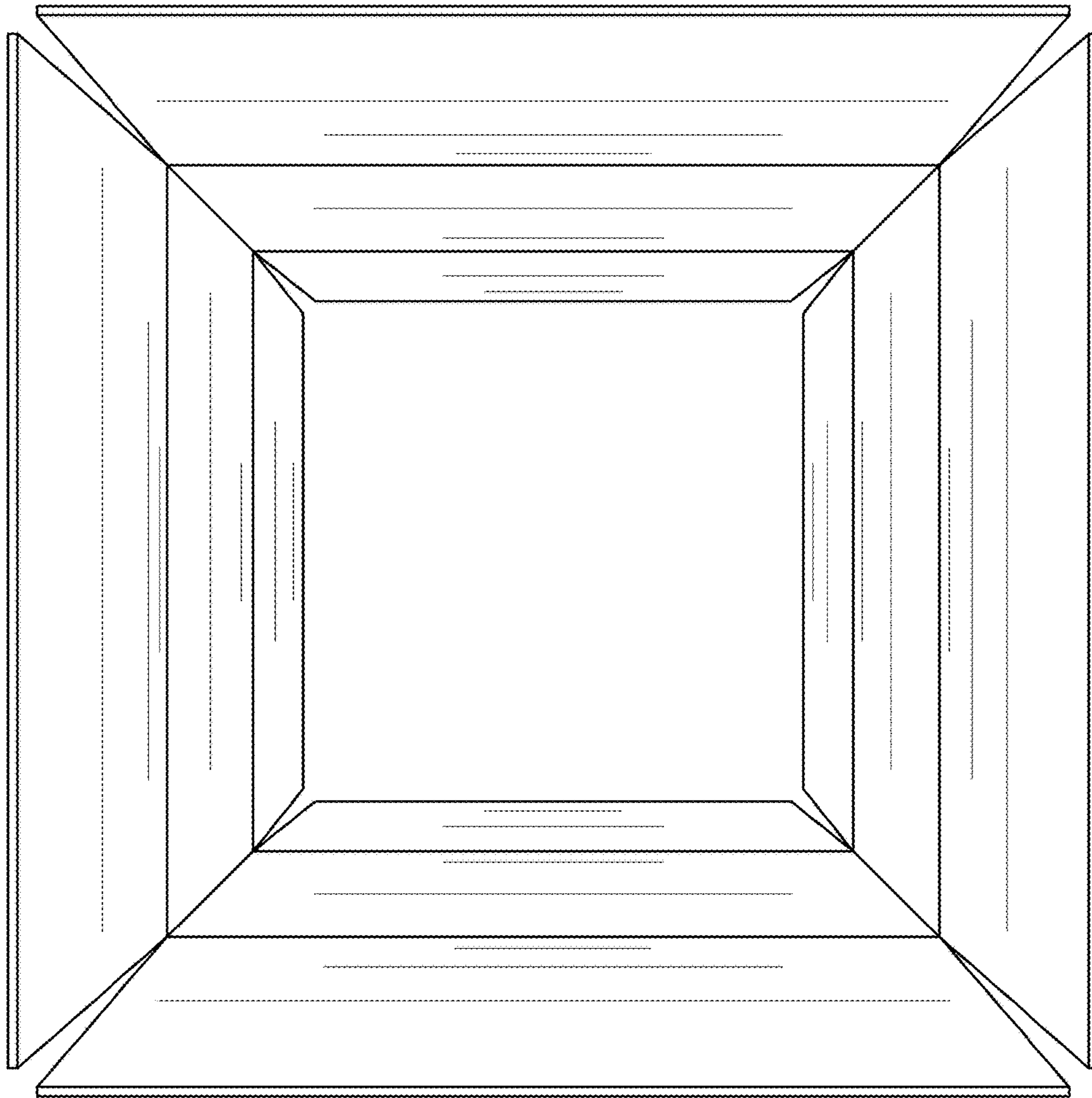


FIG. 7