



US00D793219S

(12) **United States Design Patent** (10) **Patent No.:** **US D793,219 S**  
**Baiz et al.** (45) **Date of Patent:** **\*\* Aug. 1, 2017**

(54) **LUG NUT CAP**  
(71) Applicants: **Enrique J. Baiz**, Miramar, FL (US);  
**Oswaldo Izquierdo**, Homestead, FL (US)  
(72) Inventors: **Enrique J. Baiz**, Miramar, FL (US);  
**Oswaldo Izquierdo**, Homestead, FL (US)  
(\*\*) Term: **15 Years**  
(21) Appl. No.: **29/575,669**  
(22) Filed: **Aug. 26, 2016**  
(51) **LOC (10) Cl.** ..... **08-08**  
(52) **U.S. Cl.**  
USPC ..... **D8/397**  
(58) **Field of Classification Search**  
USPC ..... D8/397, 394, 382, 349  
CPC ..... A61B 17/0401; E04D 13/1476; E04G  
25/065; F16B 41/002; F16B 23/0061  
See application file for complete search history.

(56) **References Cited**  
**U.S. PATENT DOCUMENTS**  
1,115,307 A \* 10/1914 Guffee ..... F16B 41/002  
29/235  
2,630,805 A \* 3/1953 Brehm ..... A61M 3/0279  
604/104  
2,670,737 A \* 3/1954 Cantor ..... A61F 11/08  
128/864  
3,222,976 A \* 12/1965 Holman ..... F16B 23/0061  
301/35.623  
D225,970 S \* 1/1973 O'Donnell ..... D8/387  
4,314,553 A \* 2/1982 Westerdal ..... A61F 11/08  
128/201.18  
4,333,660 A \* 6/1982 Cupit ..... E04D 13/1476  
277/630  
D268,565 S \* 4/1983 Mortus ..... D8/397  
D273,614 S \* 4/1984 Rolla ..... D24/106

D335,852 S \* 5/1993 Carles ..... D12/160  
D381,897 S \* 8/1997 Matthiesen ..... D22/116  
D408,526 S \* 4/1999 Westerdal ..... D24/106  
D427,511 S \* 7/2000 Weld ..... D8/397  
6,155,987 A \* 12/2000 Scherl ..... A61F 11/006  
128/898  
6,361,258 B1 \* 3/2002 Heesch ..... F16B 23/0084  
411/178  
6,387,129 B2 \* 5/2002 Rieser ..... A61B 17/8615  
606/318  
D460,398 S \* 7/2002 Berry ..... D12/213  
6,540,750 B2 \* 4/2003 Burkhart ..... A61B 17/0401  
606/232  
6,692,083 B2 \* 2/2004 Latham ..... E21C 35/18  
299/104  
D549,568 S \* 8/2007 Schaeffer ..... D8/397  
7,252,471 B1 \* 8/2007 Manyoky ..... F16B 37/00  
411/427

(Continued)

*Primary Examiner* — Cynthia Underwood  
(74) *Attorney, Agent, or Firm* — Quickpatents, LLC;  
Kevin Prince

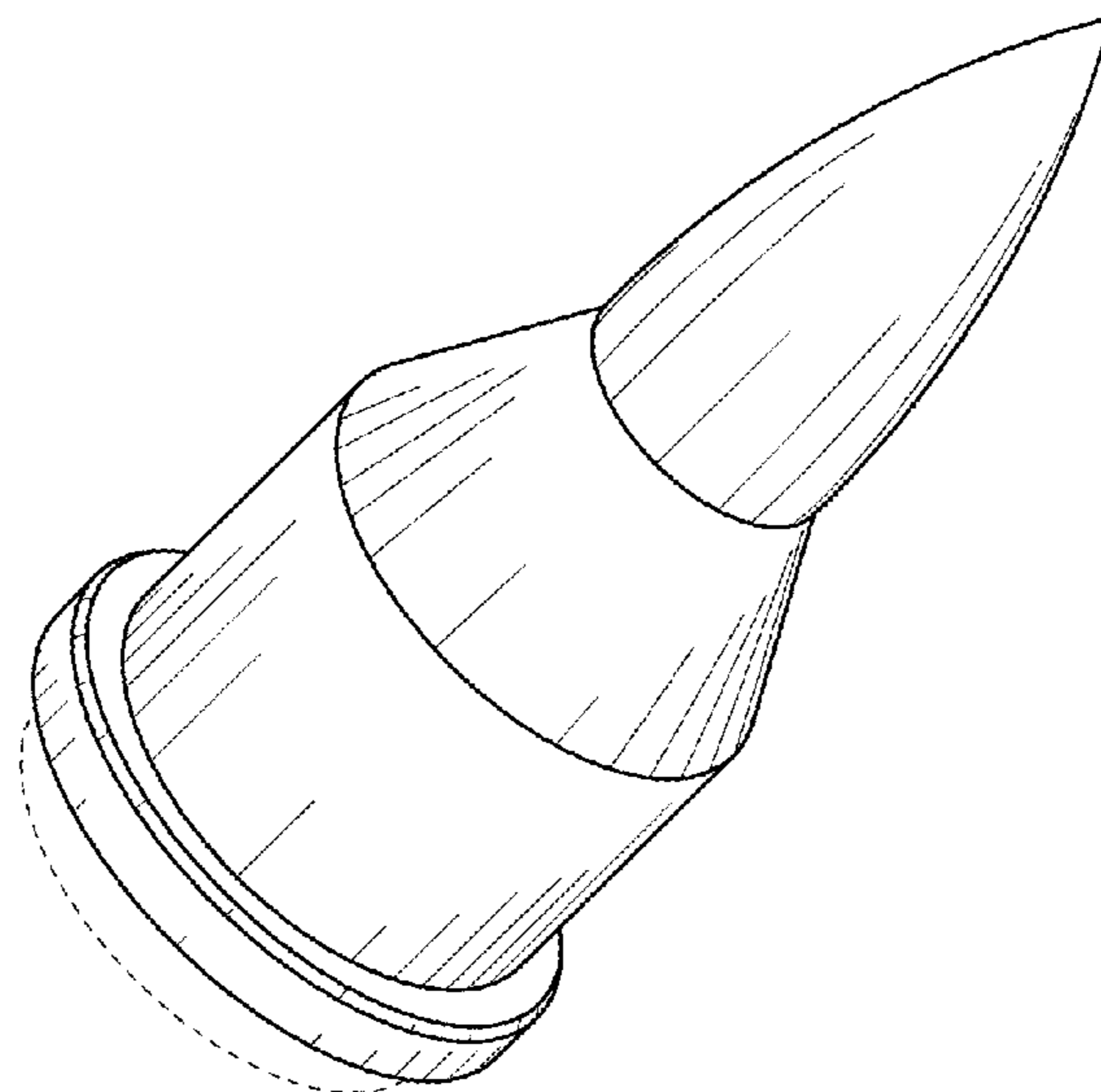
(57) **CLAIM**

We claim the ornamental design for a lug nut cap, as shown and described.

**DESCRIPTION**

FIG. 1 is a top perspective view of a lug nut cap, showing our new design;  
FIG. 2 is a front elevational view thereof, the rear elevational view, left-side elevational view, and right-side elevational view all being identical  
FIG. 3 is a top plan view thereof;  
FIG. 4 is a bottom plan view thereof; and,  
FIG. 5 is a cross-sectional view thereof, taken along line 5-5 of FIG. 2.  
The broken lines in FIG. 1 depict an environmental lug nut that forms no part of the claimed design.

**1 Claim, 3 Drawing Sheets**



(56)

**References Cited**

U.S. PATENT DOCUMENTS

7,392,674 B1 \* 7/2008 Grote ..... F16B 37/14  
 411/910  
 D581,777 S \* 12/2008 Huang ..... D8/397  
 D592,748 S \* 5/2009 Boulton ..... A61F 11/006  
 D24/108  
 7,814,709 B1 \* 10/2010 Resech ..... E04D 13/1407  
 52/100  
 D647,393 S \* 10/2011 Carrillo, Sr. .... D8/387  
 D720,208 S \* 12/2014 Jordan ..... D8/397  
 D731,300 S \* 6/2015 Vargas ..... D8/397  
 D738,265 S \* 9/2015 McNeeley ..... D12/118  
 9,206,832 B1 \* 12/2015 Maddux ..... F16B 37/14  
 D765,855 S \* 9/2016 Ben-Yehuda ..... D24/156  
 D780,563 S \* 3/2017 Baiz ..... D8/387  
 D780,564 S \* 3/2017 Baiz ..... D8/387  
 D785,538 S \* 5/2017 Jordan ..... D12/213  
 D786,057 S \* 5/2017 Baiz ..... D8/397  
 D787,306 S \* 5/2017 Baiz ..... D8/397  
 2014/0074163 A1 \* 3/2014 West, Jr. .... A61B 17/0401  
 606/232  
 2014/0222072 A1 \* 8/2014 Gerber ..... A61B 17/0401  
 606/232  
 2014/0249579 A1 \* 9/2014 Heaven ..... A61B 17/0401  
 606/232  
 2017/0051780 A1 \* 2/2017 Dickinson ..... B29C 45/006  
 2017/0130760 A1 \* 5/2017 Thiele ..... F16B 39/24  
 2017/0150959 A1 \* 6/2017 Berelsman ..... A61B 17/0401  
 2017/0151007 A1 \* 6/2017 Philipon ..... A61B 17/8888  
 2017/0151054 A1 \* 6/2017 Stone ..... A61F 2/0811

\* cited by examiner

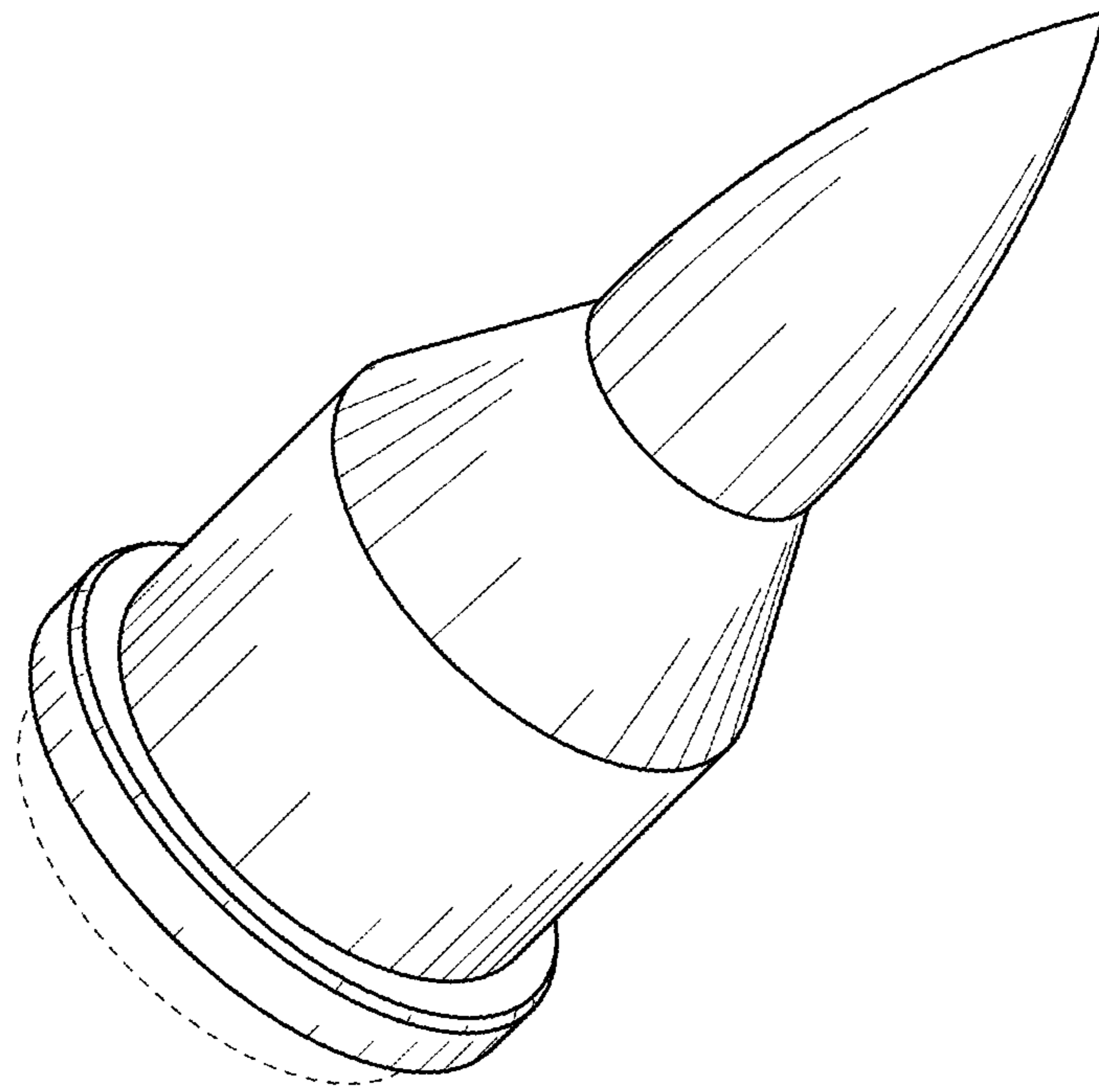


FIG. 1

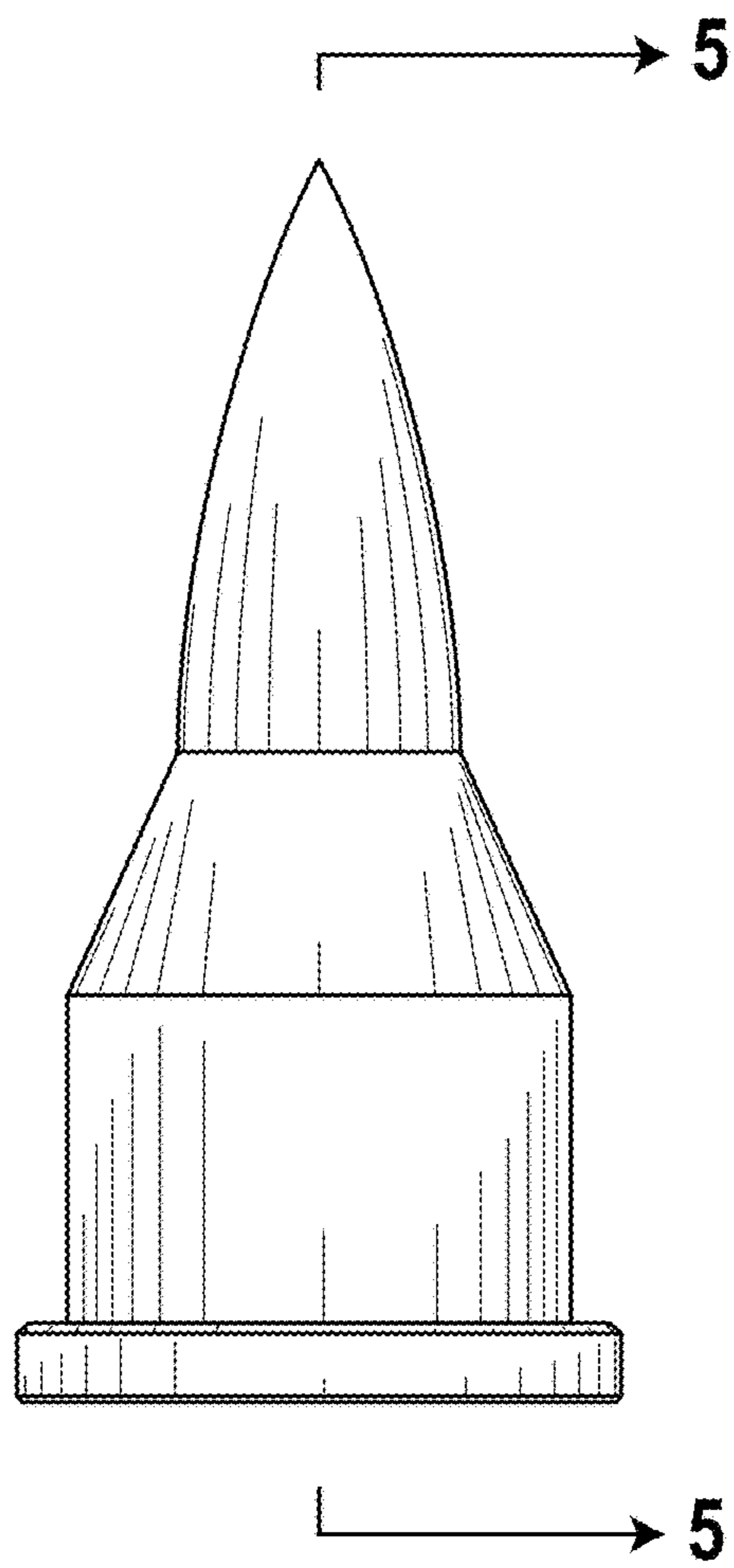


FIG. 2

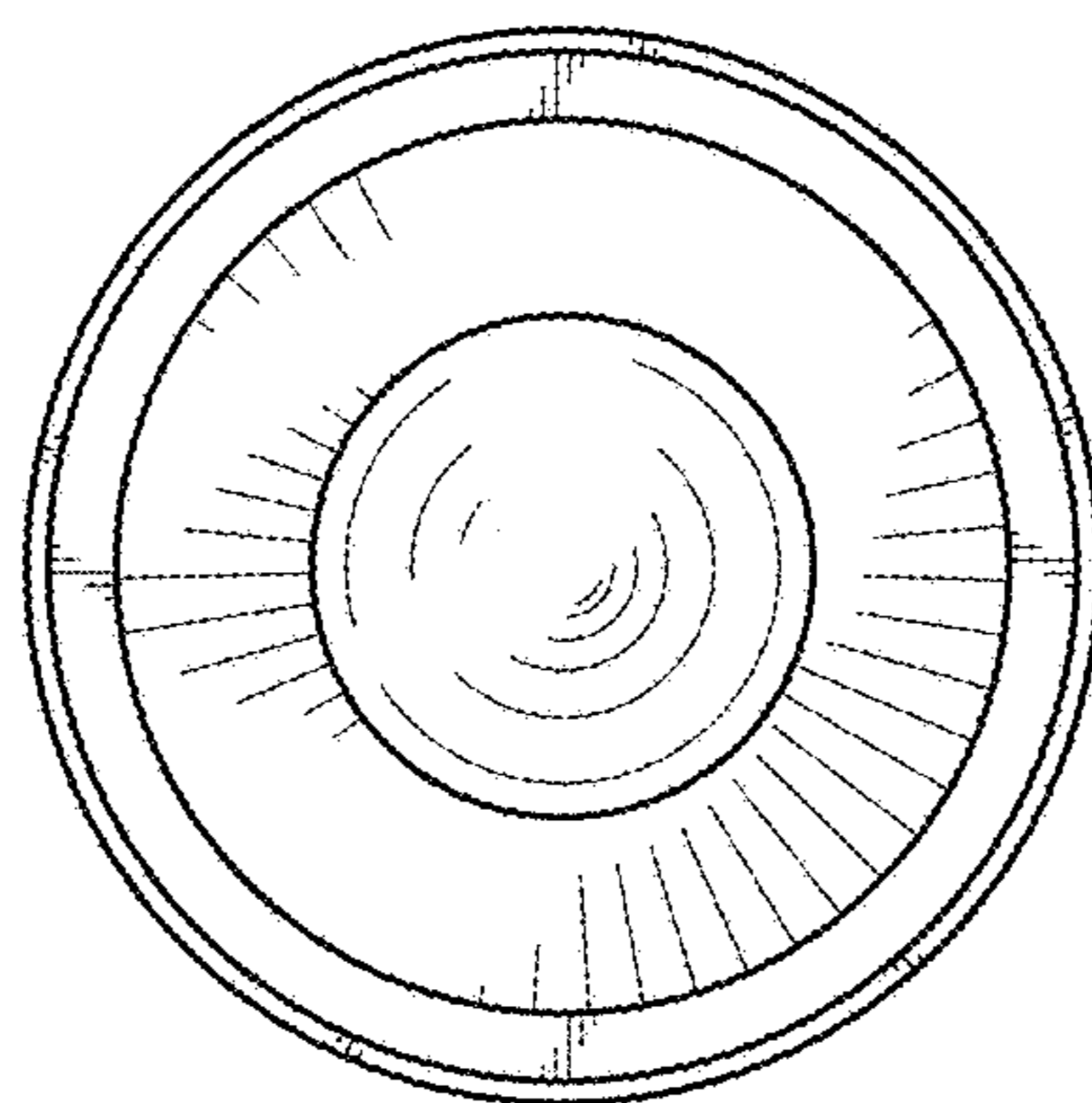


FIG. 3

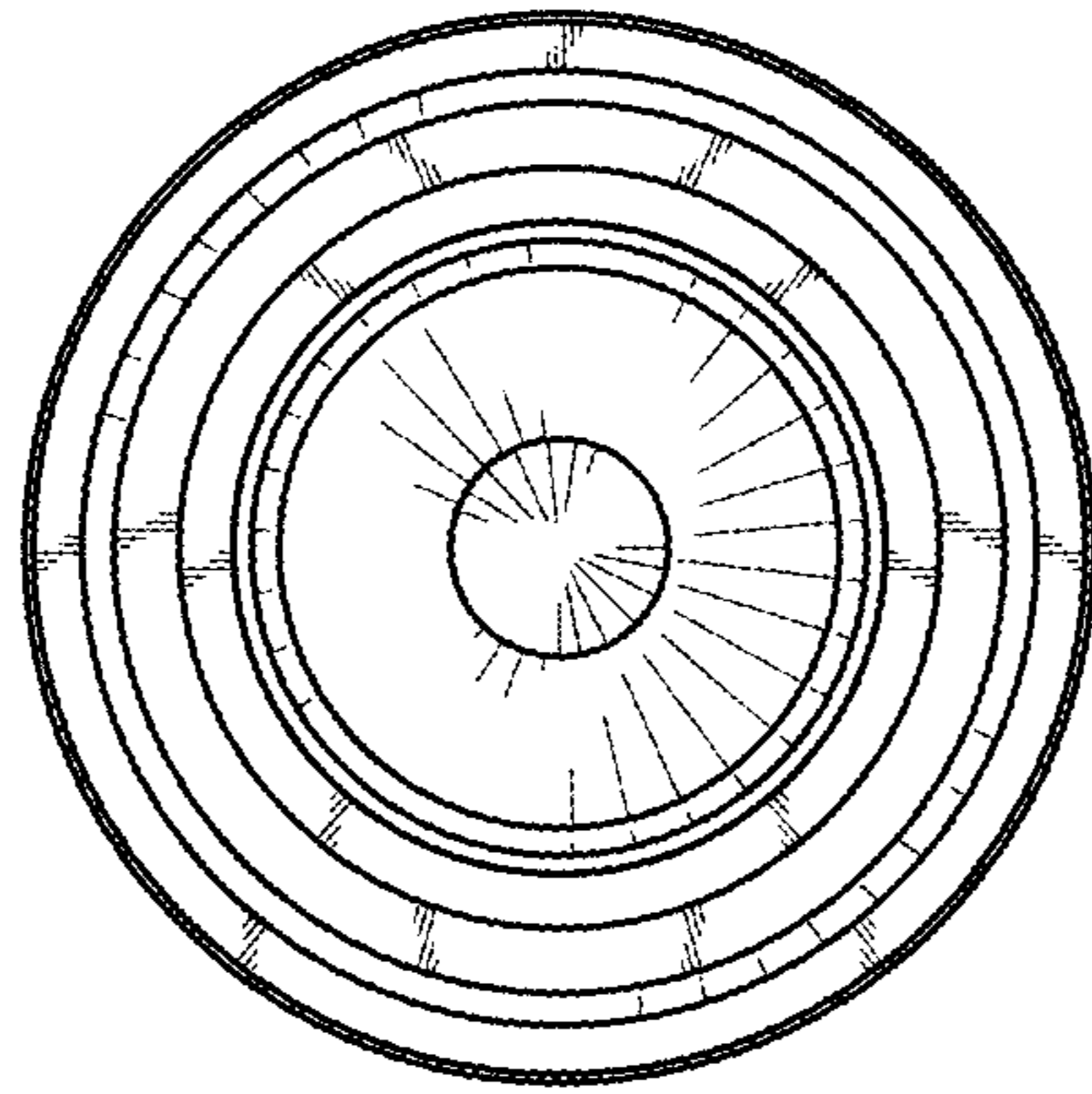


FIG. 4

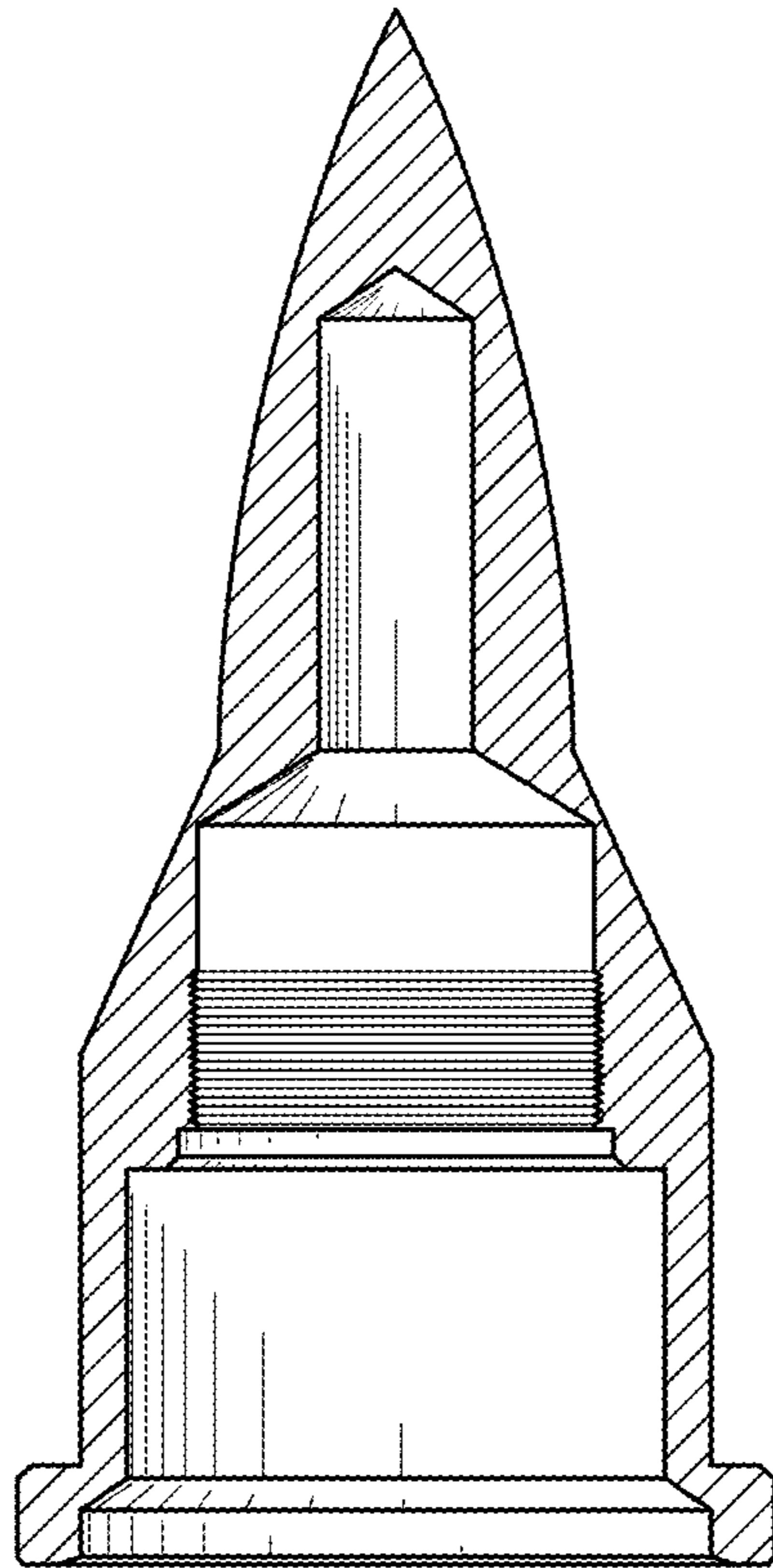


FIG. 5