



US00D793218S

(12) **United States Design Patent**
Hodges

(10) **Patent No.:** **US D793,218 S**

(45) **Date of Patent:** **** Aug. 1, 2017**

- (54) **LUGNUT**
- (71) Applicant: **Frank J. Hodges**, Corona, CA (US)
- (72) Inventor: **Frank J. Hodges**, Corona, CA (US)
- (**) Term: **15 Years**
- (21) Appl. No.: **29/574,089**
- (22) Filed: **Aug. 11, 2016**
- (51) **LOC (10) Cl.** **08-08**
- (52) **U.S. Cl.**
USPC **D8/397**
- (58) **Field of Classification Search**
USPC D8/397, 394, 382, 349; D23/260
CPC A61B 17/0401; E04D 13/1476; E04G
25/065; F16B 41/002; F16B 23/0061
See application file for complete search history.

- D381,897 S * 8/1997 Matthiesen D22/116
- D404,472 S * 1/1999 Tickle D23/260
- D408,526 S * 4/1999 Westerdal D24/106
- D418,907 S * 1/2000 Minnick D23/260
- D427,511 S * 7/2000 Weld D8/397
- 6,155,987 A * 12/2000 Scherl A61F 11/006
128/898
- D439,213 S * 3/2001 Huang D12/213
- 6,361,258 B1 * 3/2002 Heesch F16B 23/0084
411/178
- 6,387,129 B2 * 5/2002 Rieser A61B 17/8615
606/318
- D460,398 S * 7/2002 Berry D12/213
- 6,540,750 B2 * 4/2003 Burkhart A61B 17/0401
606/232
- 6,692,083 B2 * 2/2004 Latham E21C 35/18
299/104
- D549,568 S * 8/2007 Schaeffer D8/397
- 7,252,471 B1 * 8/2007 Manyoky F16B 37/00
411/427
- 7,293,949 B2 * 11/2007 Dilling B21K 5/20
411/403
- 7,392,674 B1 * 7/2008 Grote F16B 37/14
411/910
- D581,777 S * 12/2008 Huang D8/397
- D592,748 S * 5/2009 Boulton A61F 11/006
D24/108

(56) **References Cited**

U.S. PATENT DOCUMENTS

- 1,115,307 A * 10/1914 Guffee F16B 41/002
29/235
- 2,630,805 A * 3/1953 Brehm A61M 3/0279
604/104
- 2,670,737 A * 3/1954 Cantor A61F 11/08
128/864
- 3,222,976 A * 12/1965 Holman F16B 23/0061
301/35.623
- D225,970 S * 1/1973 O'Donnell D8/387
- 3,897,712 A * 8/1975 Black F16B 23/003
411/373
- 4,314,553 A * 2/1982 Westerdal A61F 11/08
128/201.18
- 4,333,660 A * 6/1982 Cupit E04D 13/1476
277/630
- D268,565 S * 4/1983 Mortus D8/397
- D273,614 S * 4/1984 Rolla D24/106
- D335,852 S * 5/1993 Carles D12/160

(Continued)

Primary Examiner — Cynthia Underwood
(74) *Attorney, Agent, or Firm* — Eric B. Alspaugh

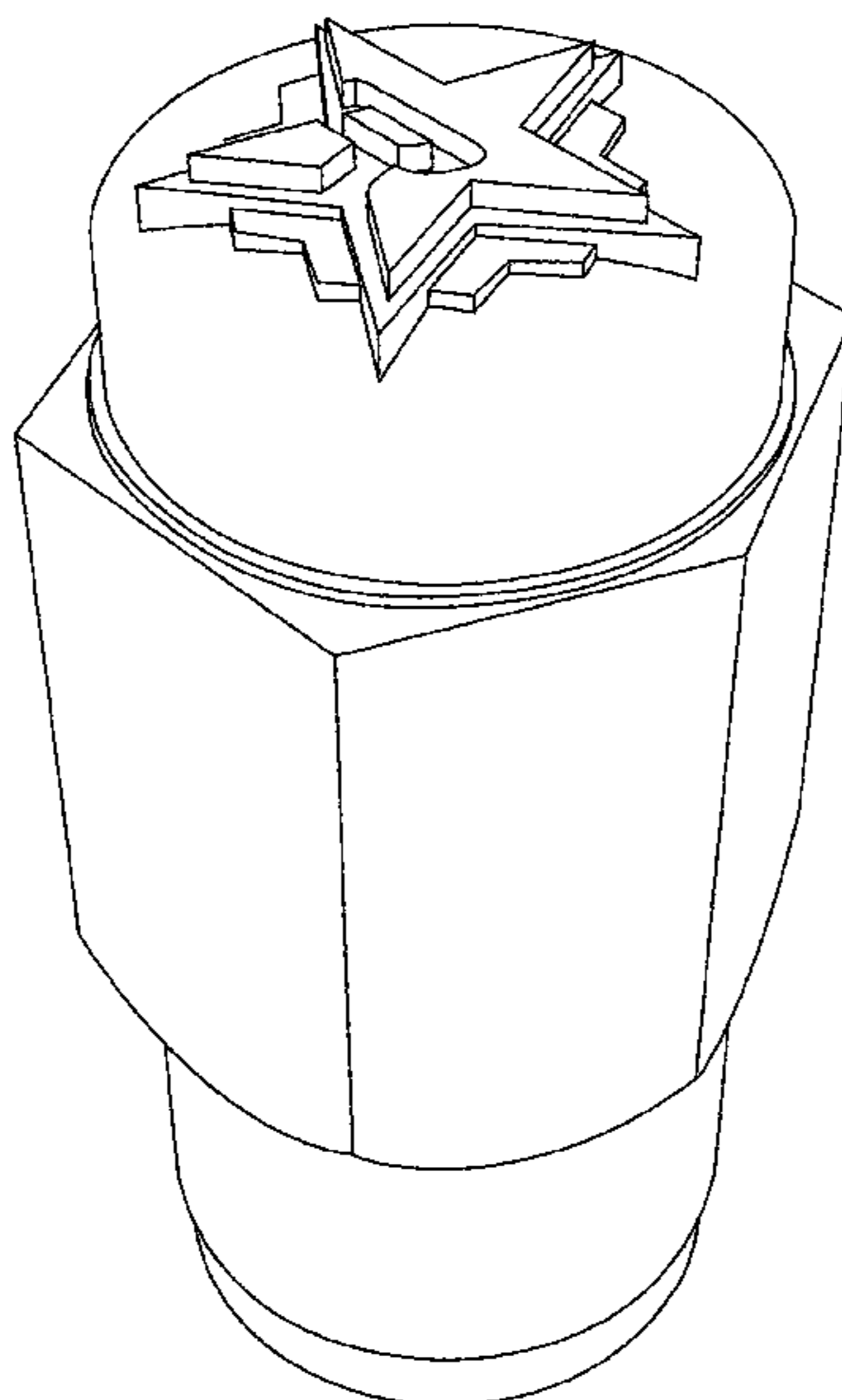
(57) **CLAIM**

The ornamental design for a lugnut, as shown and described.

DESCRIPTION

FIG. 1 is a top view of a lugnut showing my new design;
FIG. 2 is a bottom view thereof;
FIG. 3 is a right side view thereof;
FIG. 4 is a top oblique view thereof; and,
FIG. 5 is a bottom oblique view thereof.

1 Claim, 5 Drawing Sheets



(56)

References Cited

U.S. PATENT DOCUMENTS

7,814,709 B1 * 10/2010 Resech E04D 13/1407
 52/100
 D647,393 S * 10/2011 Carrillo, Sr. D8/387
 D720,208 S * 12/2014 Jordan D8/397
 D721,423 S * 1/2015 Jacques D23/260
 D726,286 S * 4/2015 Zeyfang D23/260
 D731,300 S * 6/2015 Vargas D8/397
 D738,265 S * 9/2015 McNeeley D12/118
 9,206,832 B1 * 12/2015 Maddux F16B 37/14
 D757,525 S * 5/2016 Glasband D8/360
 D765,855 S * 9/2016 Ben-Yehuda D24/156
 D780,563 S * 3/2017 Baiz D8/387
 D780,564 S * 3/2017 Baiz D8/387
 D781,400 S * 3/2017 Montoya D23/260
 D785,538 S * 5/2017 Jordan D12/213
 D786,057 S * 5/2017 Baiz D8/397
 D787,306 S * 5/2017 Baiz D8/397
 2014/0074163 A1 * 3/2014 West, Jr. A61B 17/0401
 606/232
 2014/0147226 A1 * 5/2014 Andrade de
 Souza F16B 31/021
 411/3
 2014/0222072 A1 * 8/2014 Gerber A61B 17/0401
 606/232
 2014/0249579 A1 * 9/2014 Heaven A61B 17/0401
 606/232
 2017/0051780 A1 * 2/2017 Dickinson B29C 45/006
 2017/0130760 A1 * 5/2017 Thiele F16B 39/24
 2017/0150959 * 6/2017 Berelsman A61B 17/0401
 2017/0151007 * 6/2017 Philipon A61B 17/8888
 2017/0151054 * 6/2017 Stone A61F 2/0811

* cited by examiner

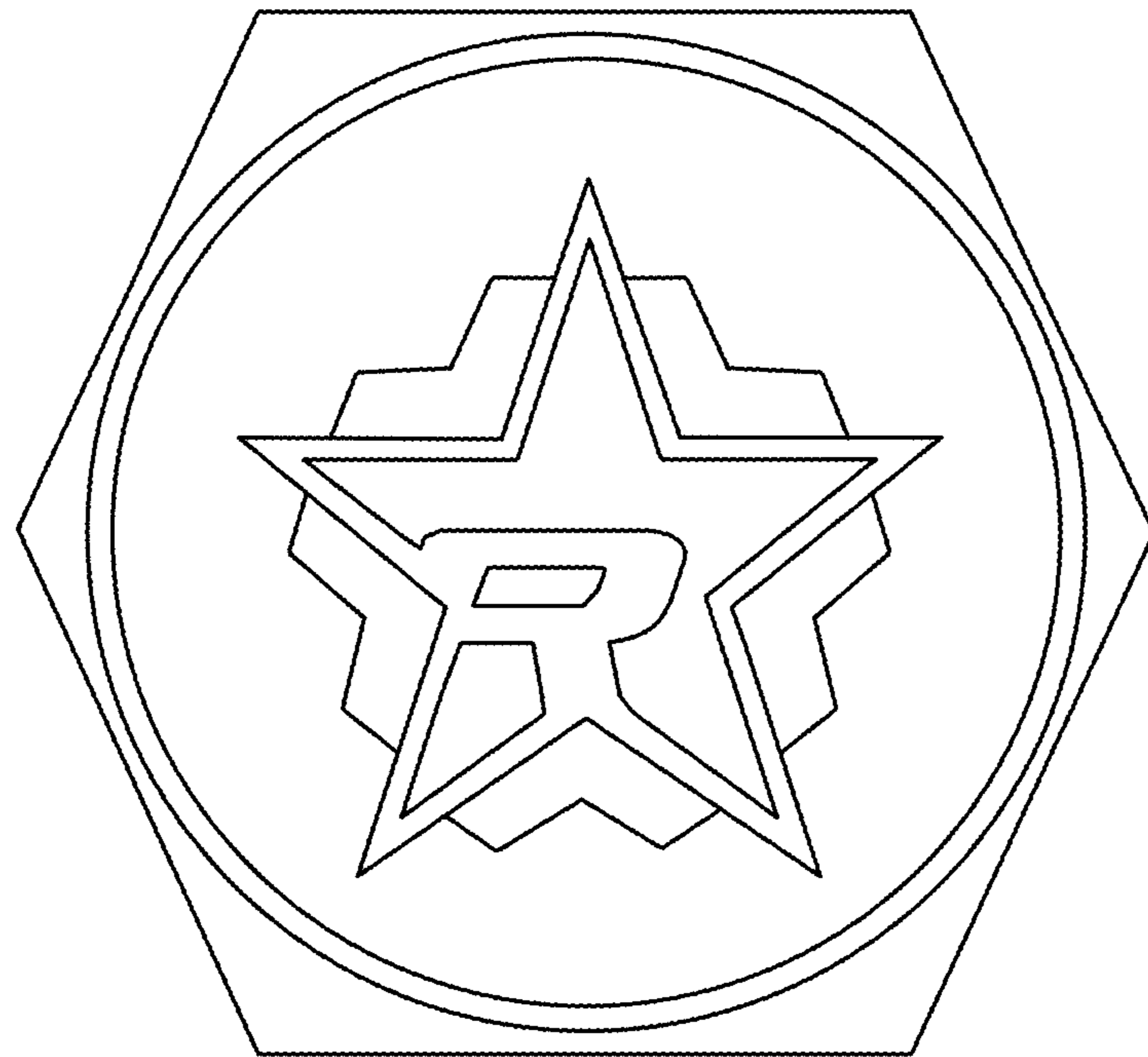


Fig. 1

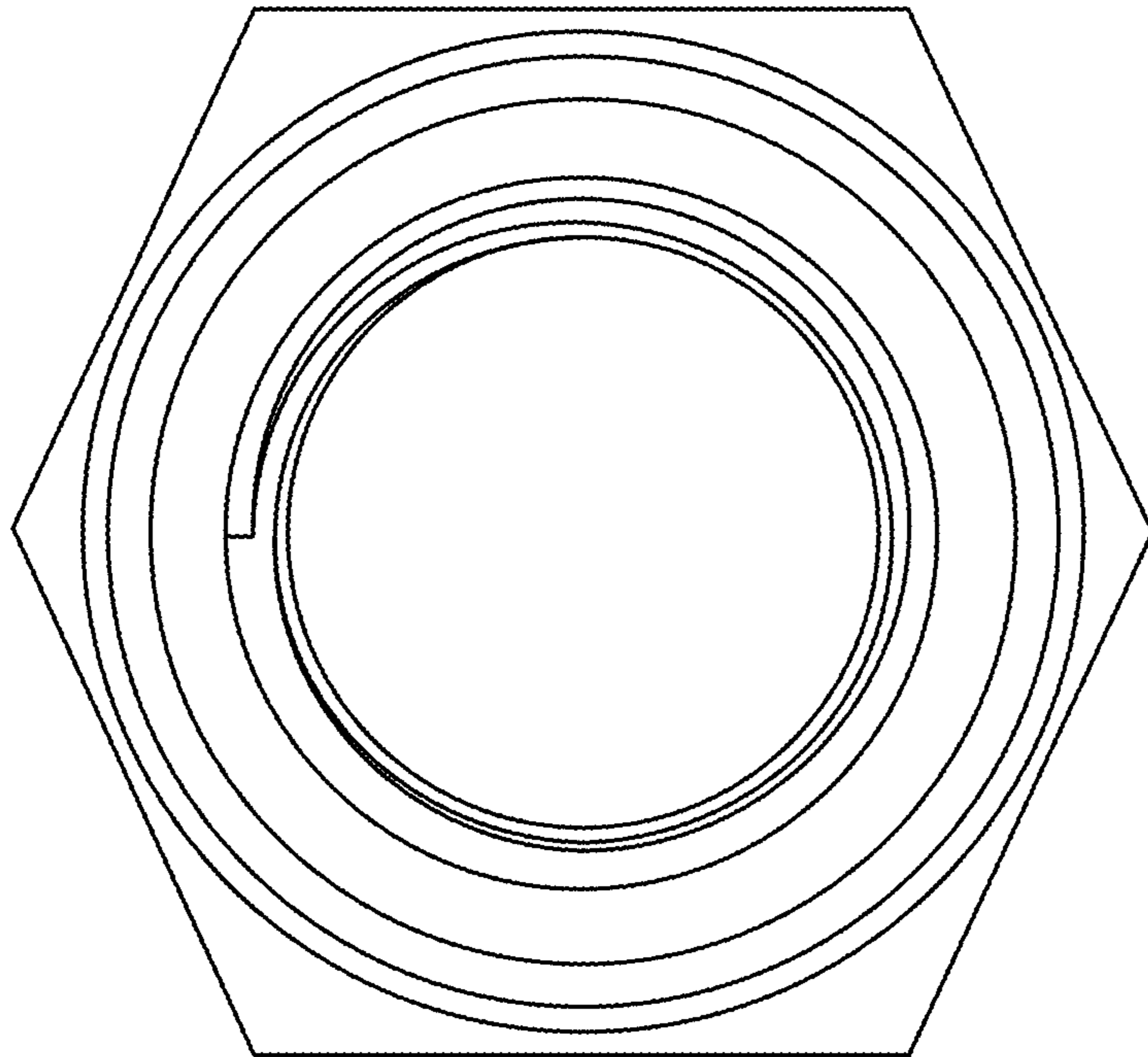


Fig. 2

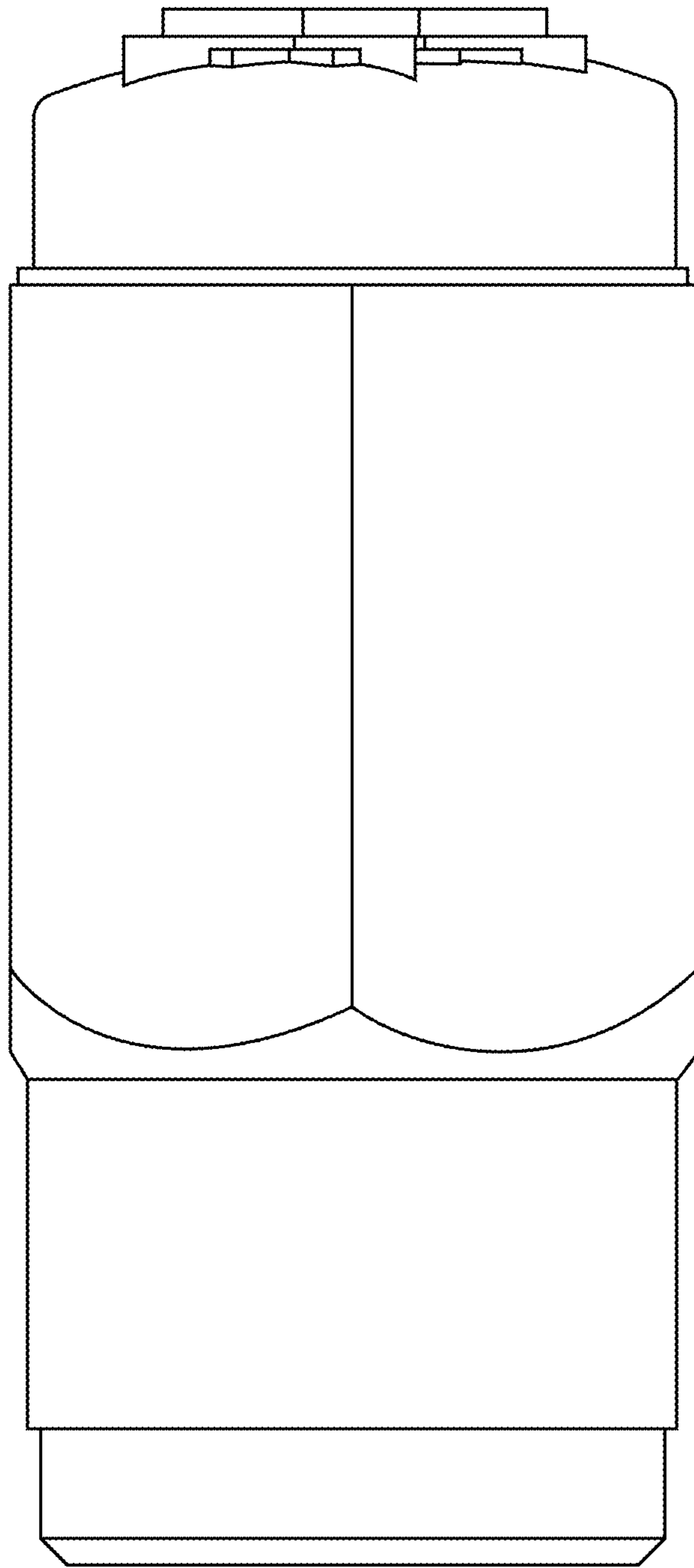


Fig. 3

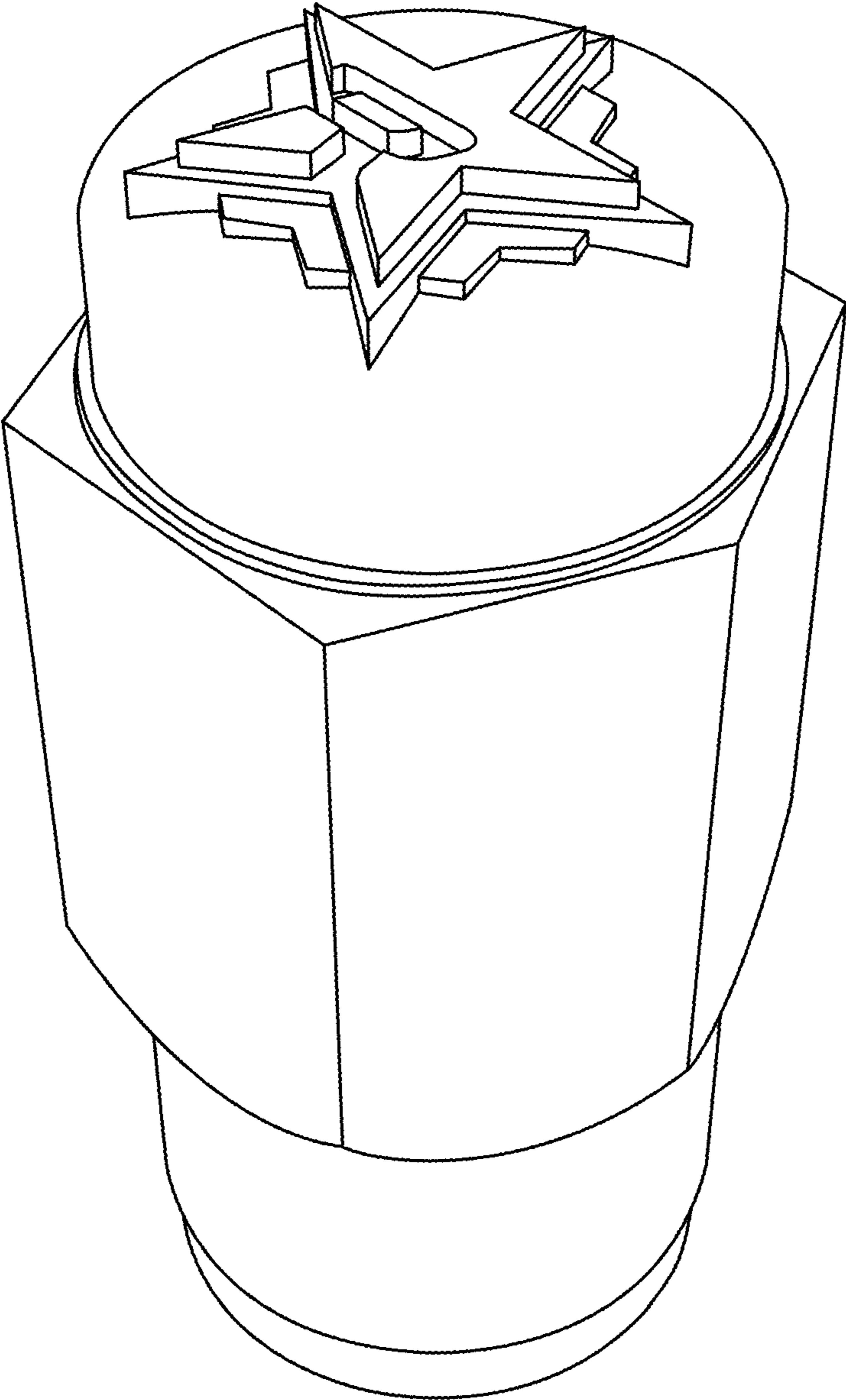


Fig. 4

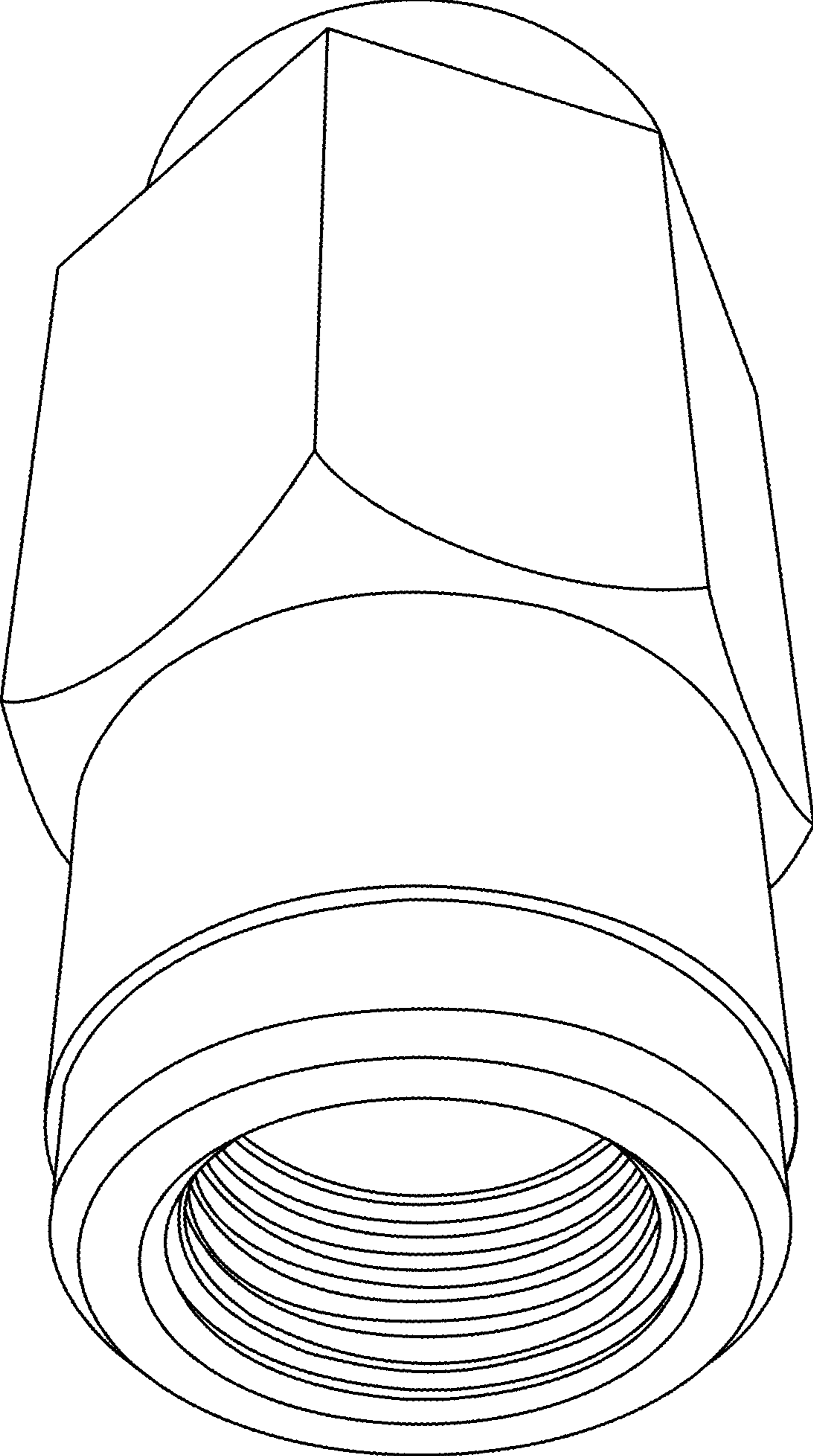


Fig. 5