



US00D793216S

(12) **United States Design Patent**  
**Divers et al.**

(10) **Patent No.:** **US D793,216 S**

(45) **Date of Patent:** **\*\* Aug. 1, 2017**

(54) **LINE CLAMP**

(71) Applicant: **DSR Fasteners, Inc.**, Sultan, WA (US)

(72) Inventors: **Tim Divers**, Sultan, WA (US); **Jacob Strain**, Sultan, WA (US)

(73) Assignee: **DSR Fasteners, Inc.**, Sultan, WA (US)

(\*\*) Term: **15 Years**

(21) Appl. No.: **29/566,412**

(22) Filed: **May 30, 2016**

**Related U.S. Application Data**

(62) Division of application No. 29/518,392, filed on Feb. 23, 2015, now Pat. No. Des. 761,100.

(51) **LOC (10) Cl.** ..... **08-08**

(52) **U.S. Cl.**  
USPC ..... **D8/396**

(58) **Field of Classification Search**  
USPC ..... D8/382, 384-386, 394-396, 71-74, 499,  
D8/354-355; D23/361, 363, 366-369;  
D14/447

CPC ..... F16B 19/00; F16B 19/1081; F16B 19/08;  
F16B 19/008; F16B 21/075; F16L 3/127;  
F16L 3/13

See application file for complete search history.

(56) **References Cited**

**U.S. PATENT DOCUMENTS**

2,990,830	A	7/1961	Hett	
3,216,685	A	11/1965	Raymond	
3,369,653	A	2/1968	Edwards	
D262,093	S	* 12/1981	Bush	52/687
D271,618	S	11/1983	Nishigaki	
D272,473	S	1/1984	Larsson	
D278,143	S	* 3/1985	Hill	D13/182
D285,044	S	8/1986	Mockett	
D291,278	S	* 8/1987	Hill	174/138 D

D309,857	S	8/1990	Fenton
4,952,107	A	8/1990	Dupree
D313,340	S	1/1991	Stathis
D318,412	S	7/1991	Williams
5,299,842	A	4/1994	Marks
D362,176	S	9/1995	Solbeck

(Continued)

**FOREIGN PATENT DOCUMENTS**

CN	302325889	*	2/2013
EM	000007919		7/2003

(Continued)

**OTHER PUBLICATIONS**

DH Gate, Cheap Aluminium Alloy Mountain Bike Road Bicycle C Clips, order date May 5, 2016, site visited May 10, 2017, <http://www.dhgate.com/product/10pcs-aluminium-alloy-mountain-bike-road/270188504.ht> . . . \*

(Continued)

*Primary Examiner* — John Windmuller

*Assistant Examiner* — John R Yeh

(74) *Attorney, Agent, or Firm* — Mark D. Miller

(57) **CLAIM**

We claim the ornamental design for a line clamp, as shown and described.

**DESCRIPTION**

FIG. 1 is a front perspective view of a line clamp showing our new design;

FIG. 2 is a different front perspective thereof;

FIG. 3 is a left side elevational view thereof;

FIG. 4 is a top plan view thereof;

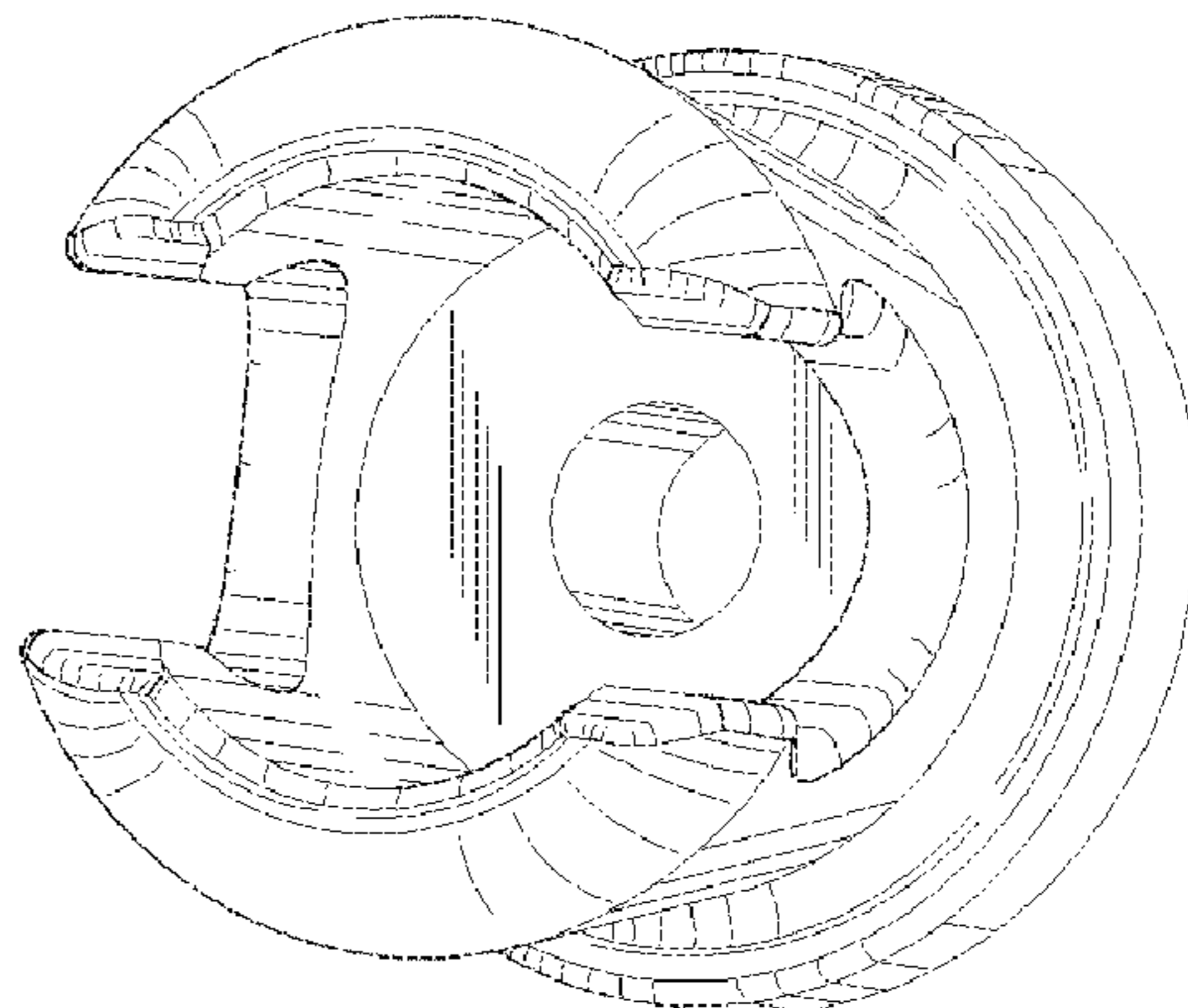
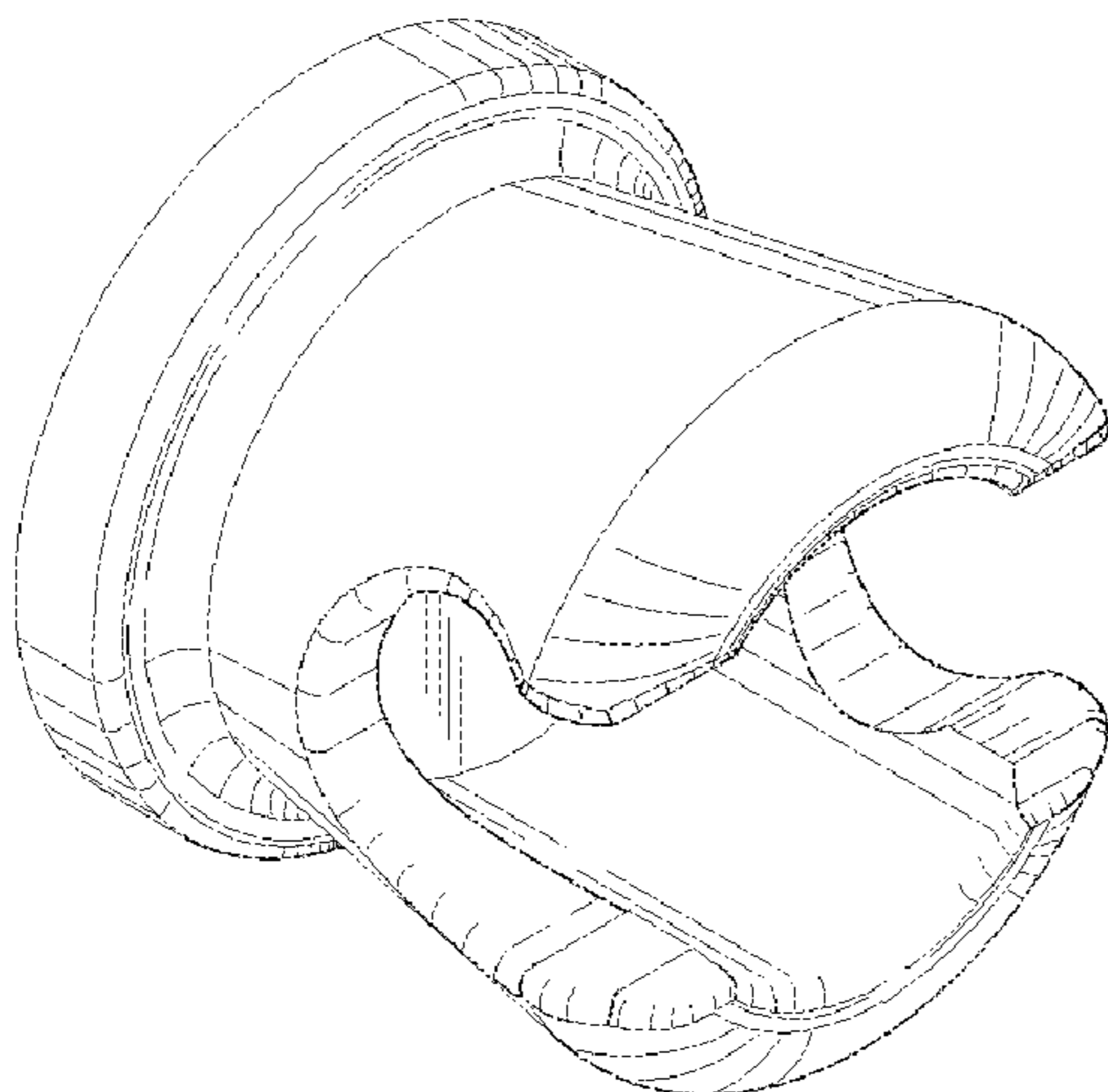
FIG. 5 is a right side elevational view thereof;

FIG. 6 is a front elevational view thereof;

FIG. 7 is a bottom plan view thereof; and,

FIG. 8 is a rear elevational view thereof.

**1 Claim, 3 Drawing Sheets**



(56)

References Cited

U.S. PATENT DOCUMENTS

D370,403 S \* 6/1996 Schenken ..... D8/355  
 D375,890 S 11/1996 Takai  
 D498,414 S 11/2004 Yoneoka  
 7,241,235 B2 7/2007 Caruso  
 D554,976 S \* 11/2007 Hutter, III ..... D8/354  
 D556,017 S 11/2007 Hutter, III  
 D557,409 S \* 12/2007 Veliss ..... D24/110.1  
 D590,242 S \* 4/2009 Carter ..... D8/385  
 D621,695 S 8/2010 Van Solkema  
 D635,451 S \* 4/2011 Sekine ..... D8/382  
 D637,877 S \* 5/2011 Elkins ..... D8/44  
 D648,210 S \* 11/2011 Reynoso ..... D8/382  
 8,096,017 B2 \* 1/2012 Van Walraven ..... F16L 5/00  
 16/2.1  
 D664,027 S \* 7/2012 Vosika ..... D8/382  
 D675,906 S \* 2/2013 Erickson ..... D8/386  
 D684,036 S 6/2013 Topping  
 D695,591 S 12/2013 Ackerman  
 D700,501 S 3/2014 Ackerman  
 D701,451 S 3/2014 Momiyama  
 D714,531 S 10/2014 Guglielmo  
 D720,123 S 12/2014 Frydlewski  
 D730,165 S \* 5/2015 Refior ..... D8/349  
 D737,413 S 8/2015 Drury  
 D739,206 S \* 9/2015 Foret ..... D11/220  
 D739,224 S \* 9/2015 Hayman ..... D8/396  
 D761,100 S \* 7/2016 Divers ..... D8/396  
 D783,914 S \* 4/2017 Supthut ..... D32/41  
 2004/0074820 A1 \* 4/2004 Sawall ..... B07B 1/4645  
 209/405  
 2006/0134360 A1 \* 6/2006 Inoue ..... B32B 1/08  
 428/36.91  
 2015/0323101 A1 11/2015 Hobson  
 2017/0045071 A1 \* 2/2017 Hemingway ..... F16B 1/0014

FOREIGN PATENT DOCUMENTS

JP D1453526 10/2012  
 KR 300698337.0000 \* 7/2013  
 KR 300716955 11/2013

OTHER PUBLICATIONS

Amazon, WINOMO Spring Clips Fuel Hose Line Water Pipe Clamps, review date Nov. 15, 2016, ps://www.amazon.com/WINOMO-Spring-Clips-Clamps-Fasteners/dp/B01DIZ4RSO?S, site visited May 10, 2017.\*  
 Web Site NotcHead Line Clamps (https://www.notchead.com/line-clamps.html) (Apr. 16, 2014).  
 NotcHead Fasteners Facebook page (Mar. 24, 2014).  
 Web Site—Pex Universe.com; Snap-in Clips for 3/4" Pex Tubing (80/bag) (http://www.pexuniverse.com/3-4-snap-in-clips-pex-cop-per-cpvc).  
 Web Site—PH PlumbingHelp CA Plumbing made easy ( http://www.plumbinghelp.ca/pipe\_hangers.php).  
 Web Site—ECAS 2CV Parts; Clip, plastic, to hold fuel and/or brake pipe or original and Ecas chassis (http://www.ecas2cvparts.co.uk/clip-plastic-hold-fuel-andor-brake-pipe-original-ecas-chassis-p-1493.html).  
 Web Site—Britcar; NTC9543L—Brake Pipe Clip Single RRC/DIS (http://www.brit-car.co.uk/product.php/89184/3640/brake\_pipe\_clip\_single\_rrc\_dis).  
 Web Site—BilletsSpecialties; Line Clamps (http://www.billetspecialties.com/clamps-and-hardware/line-clamps/).  
 Web Site—Inline Tube.com The Brake Plumbing Experts; Hold tight Brake & Fuel line clips (http://inlinetube.com/clips%20brake%20&%20fuel/clips.htm).  
 Web Site—Atlantic British Ltd.; Fuel Line Clip Double (http://www.roverparts.com/Parts/ESR1373).  
 Web Site—Andy's Auto Sports; Saab 9-3 Brake Lines (http://www.andysautosport.com/brake\_lines/saab\_9-3.html).  
 Web Site—auto consumables.com; Twin Brake Line / Cable Holder, Max Cable Diameter 6.5mm, To fit 6mm Hole (http://www.autoconsumables.com/twin-brake-line-cable-holder-max-cable-diameter-65mm-to-fit-6mm-hole-381-p.asp).  
 Web Site—New Line Hose & Fillings; Hab-Spacer—Airbrake Hose Separator Clamp (http://www.new-line.com/hose/auto/airbrake/airbrake-hose-separator-clamp).  
 Allstar Line Clamps | Allstar Performance, online, website copy-right 2016, http://www.jges.com/p/Allstar-Performance/Allstar-Line-Clamps/1738728/10002/-1, [site visited Jan. 28, 2016 7:33:10 PM].

\* cited by examiner

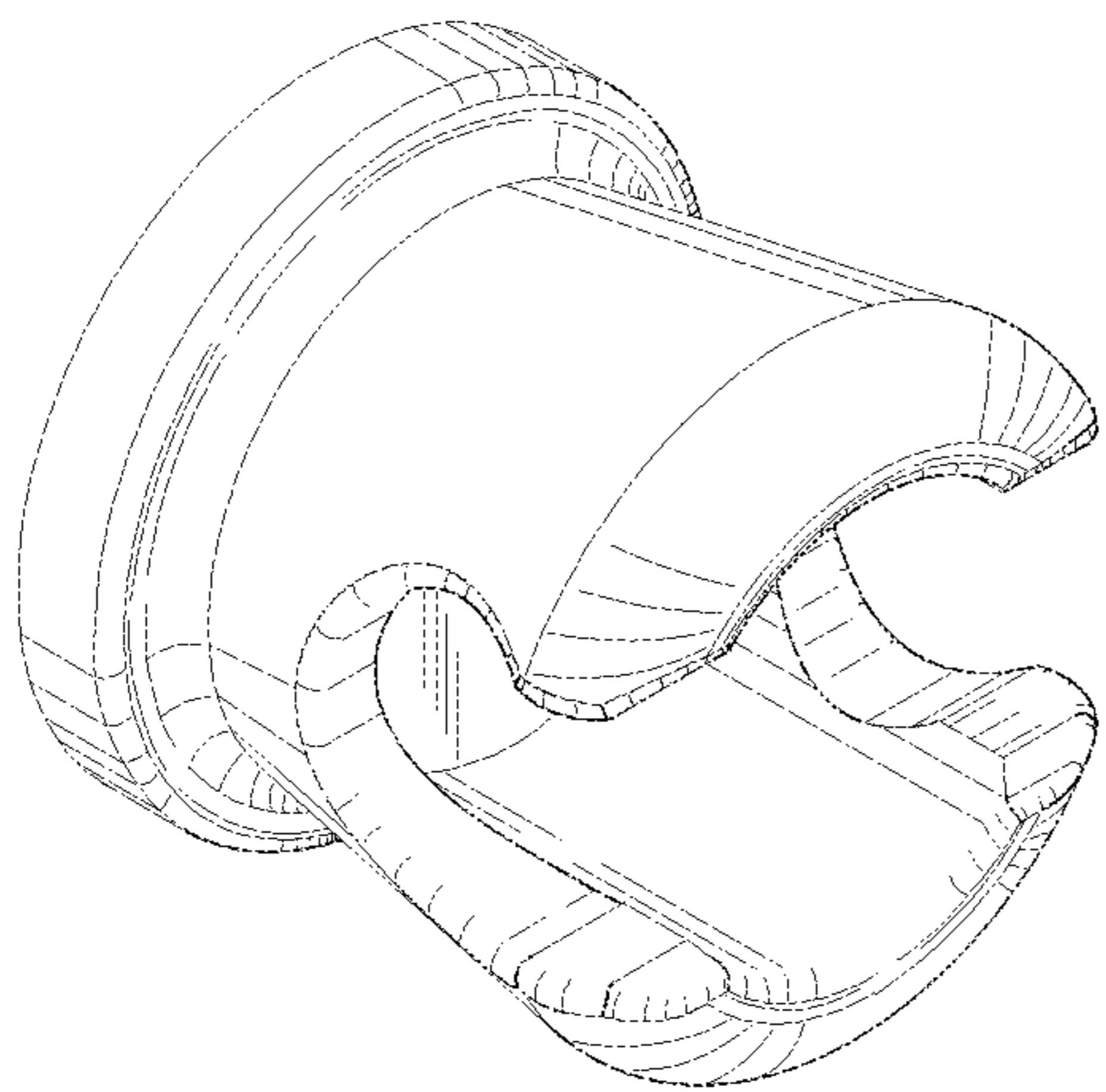


FIG. 1

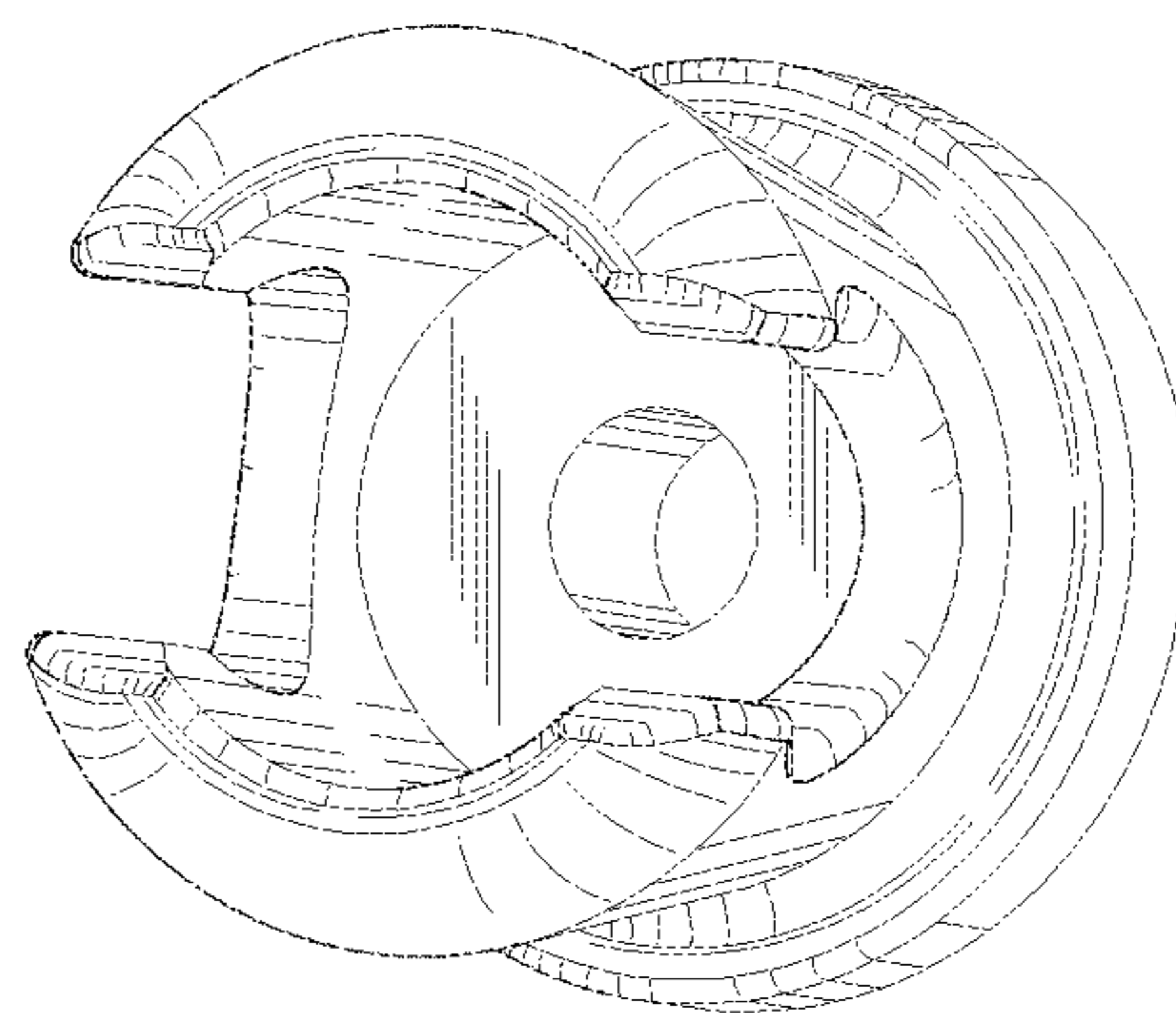


FIG. 2



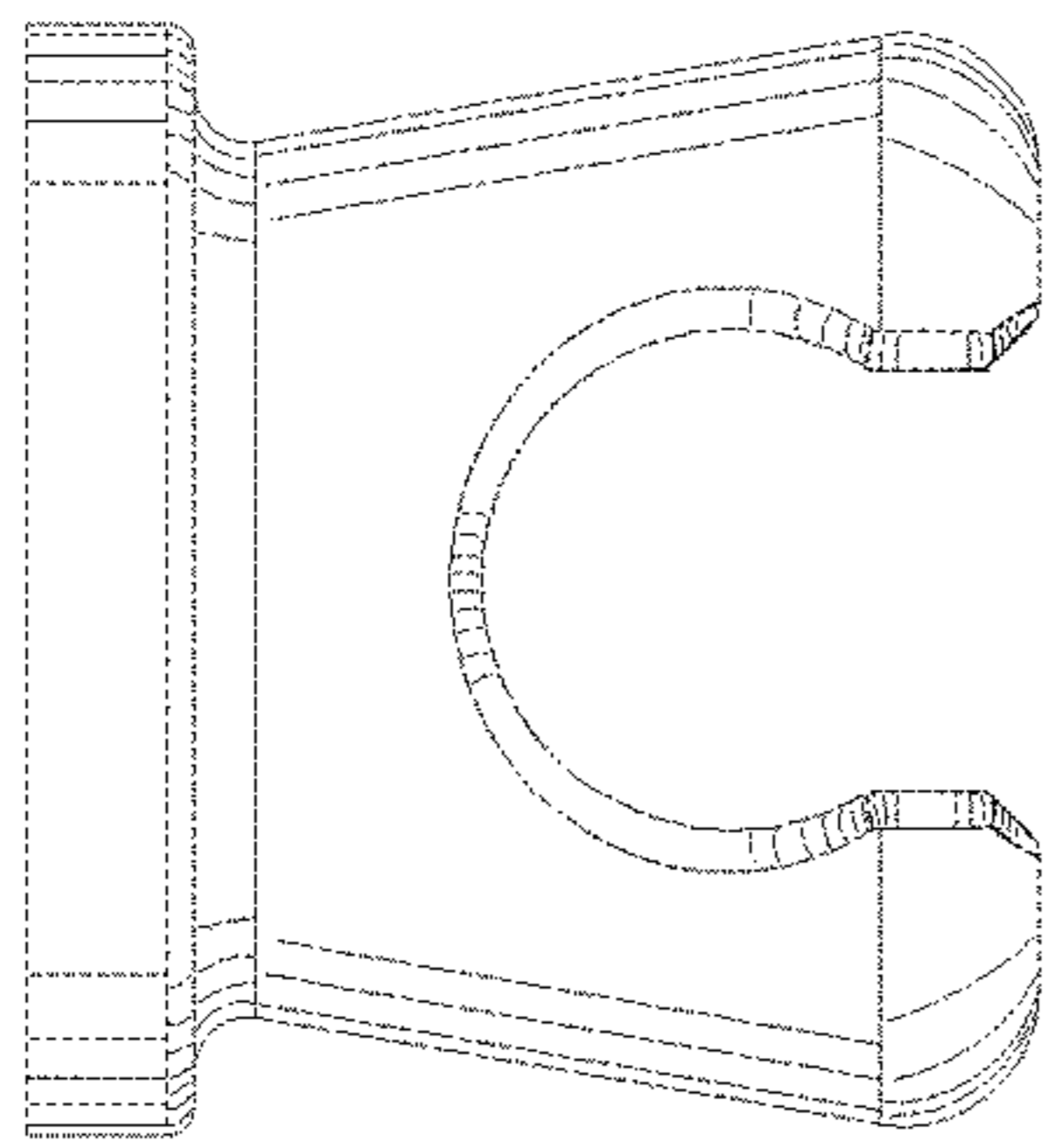


FIG. 3

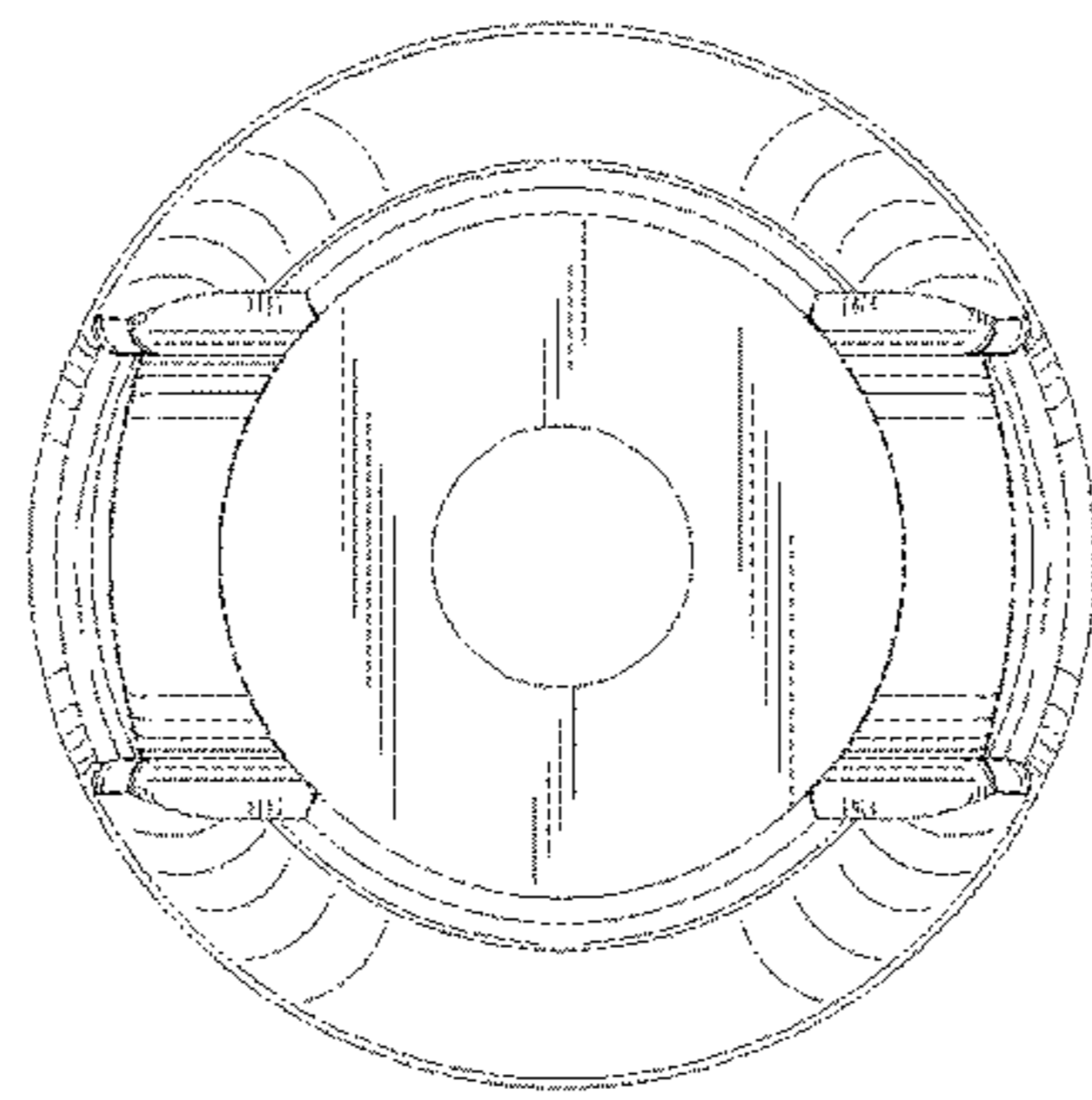


FIG. 4

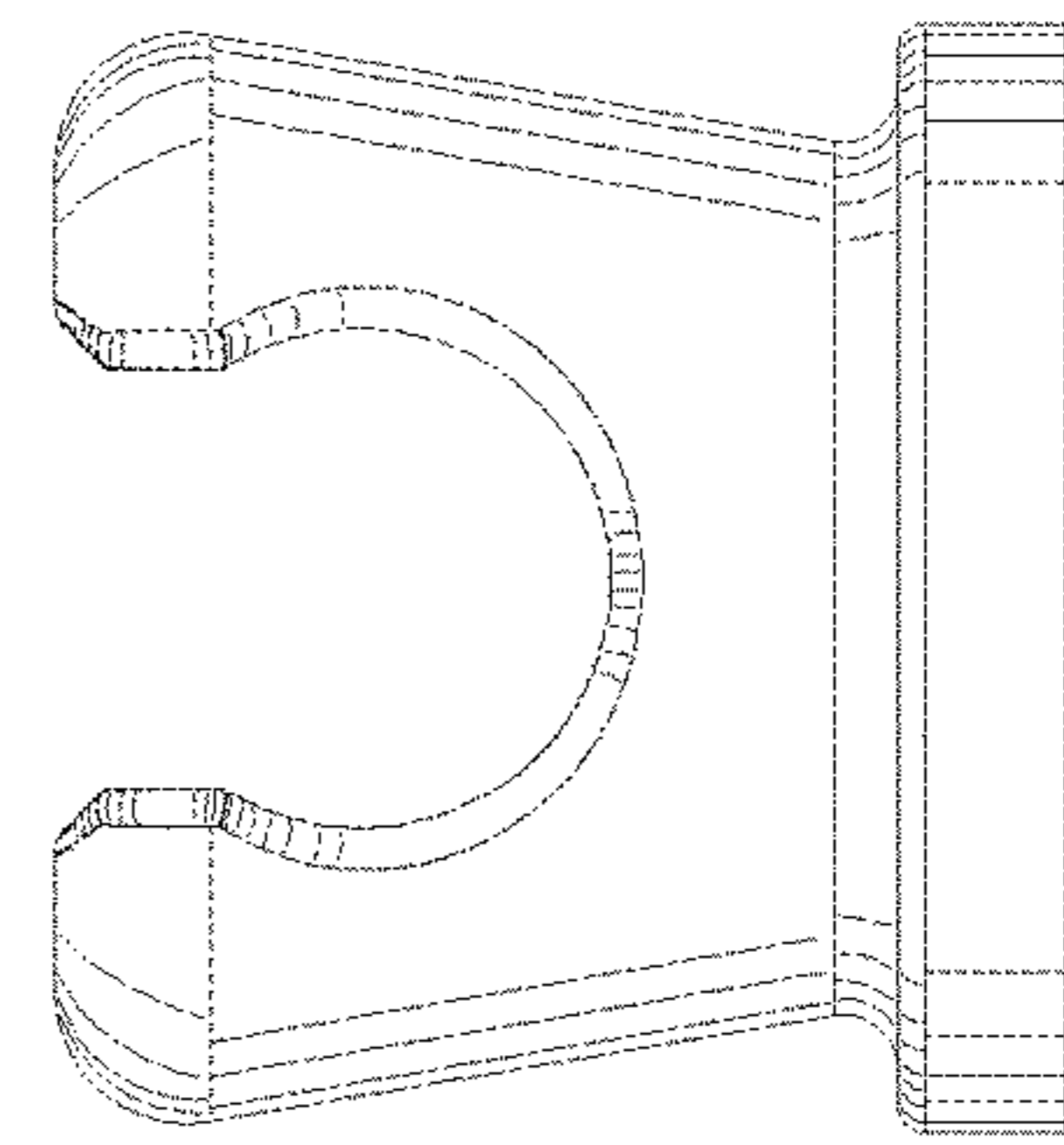


FIG. 5

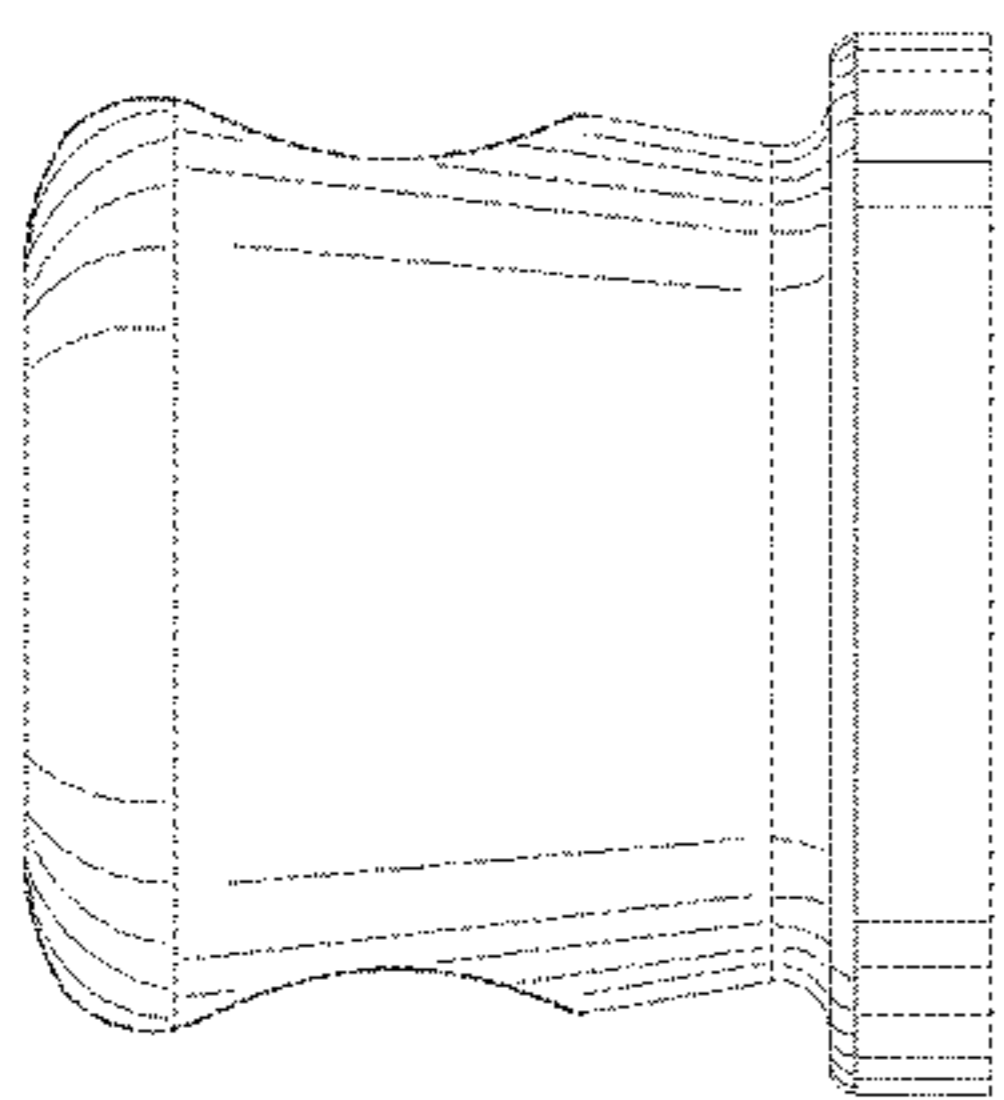


FIG. 6

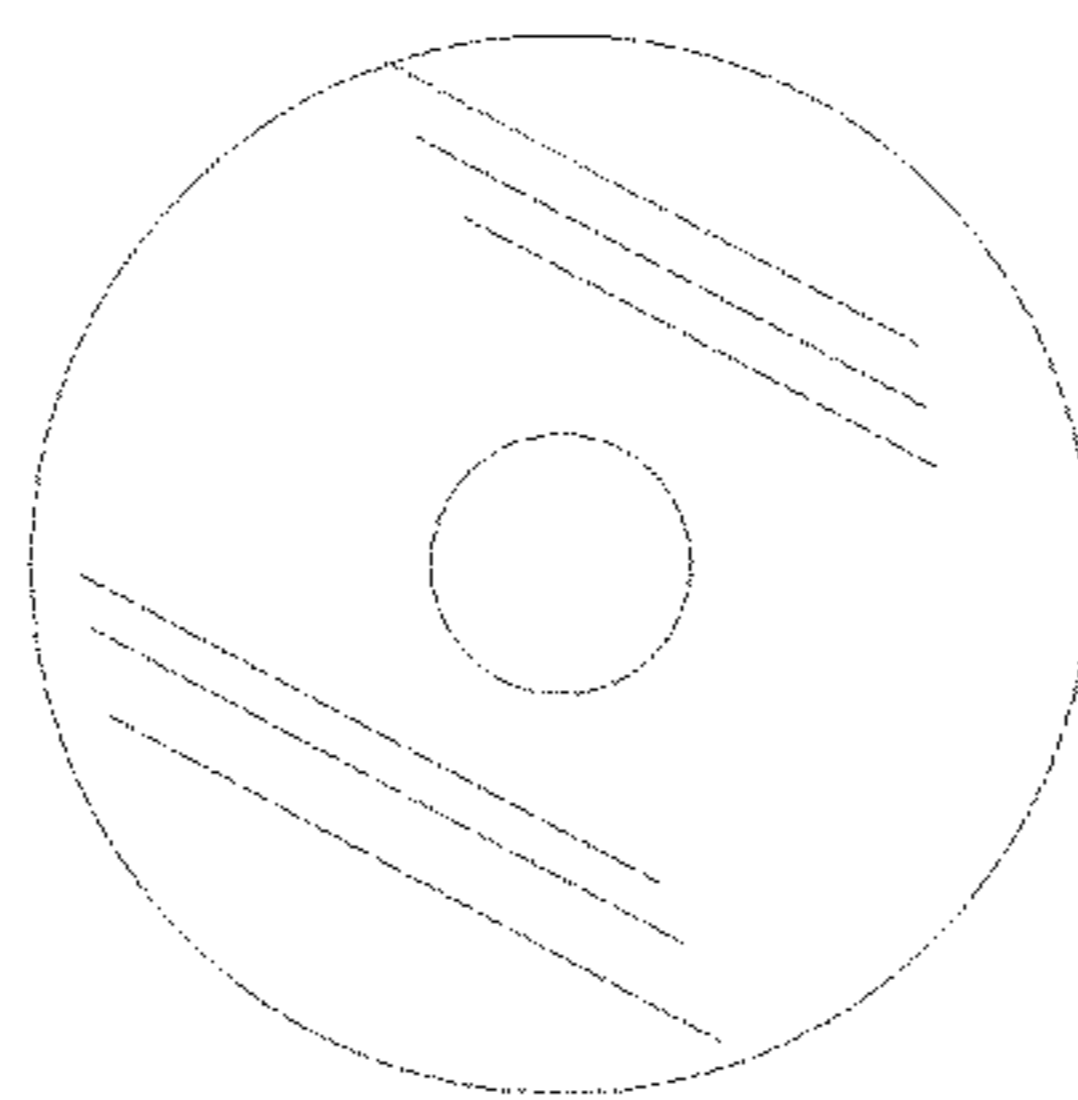


FIG. 7

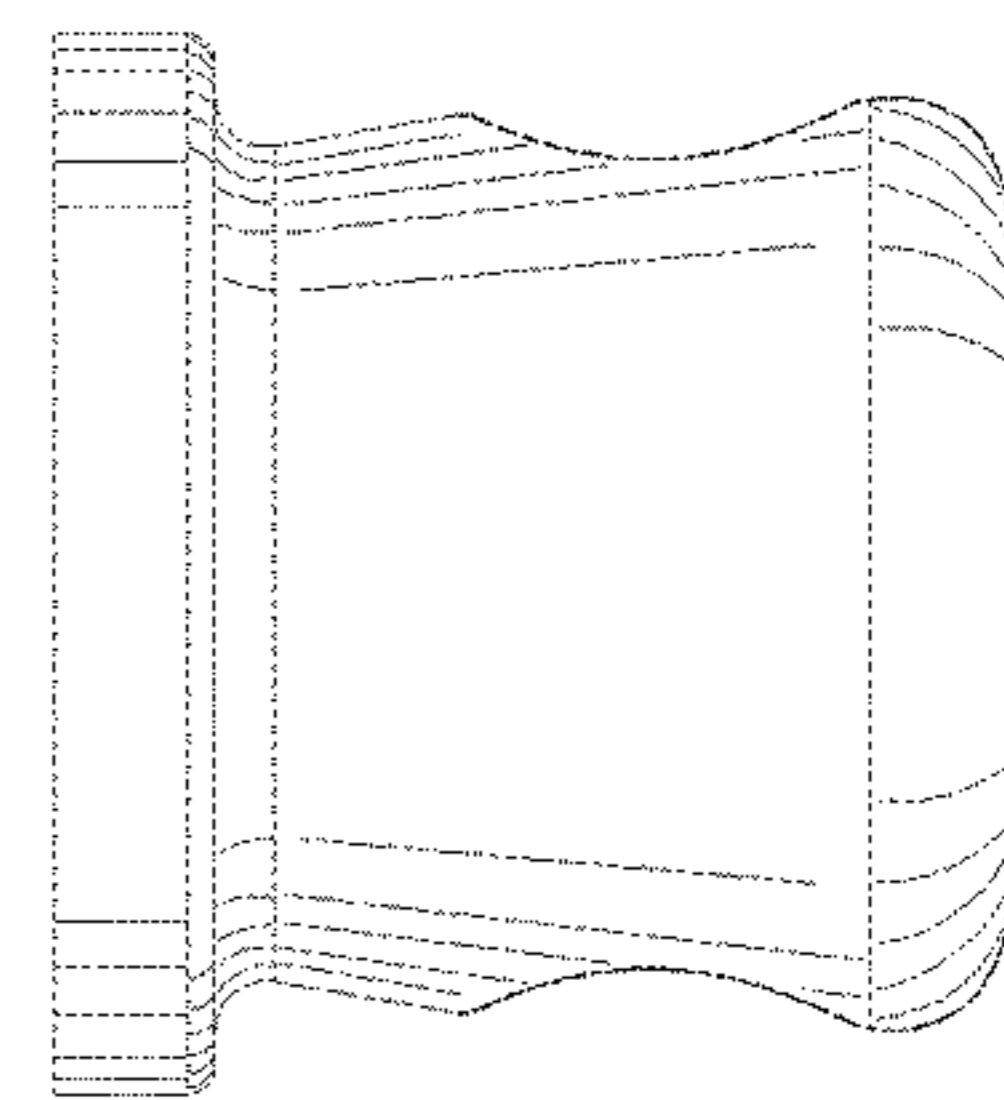


FIG. 8