



US00D793214S

(12) **United States Design Patent**
Ishii

(10) **Patent No.:** **US D793,214 S**

(45) **Date of Patent:** **** Aug. 1, 2017**

(54) **CORD LOCK**

(71) Applicant: **NIFCO INC.**, Yokosuka-shi, Kanagawa (JP)

(72) Inventor: **Taiyo Ishii**, Yokosuka (JP)

(73) Assignee: **NIFCO INC.**, Yokosuka-Shi, Kanagawa (JP)

(**) Term: **15 Years**

(21) Appl. No.: **29/545,709**

(22) Filed: **Nov. 16, 2015**

(30) **Foreign Application Priority Data**

May 15, 2015 (JP) 2015-010666

(51) **LOC (10) Cl.** **08-08**

(52) **U.S. Cl.**
USPC **D8/383**

(58) **Field of Classification Search**

USPC D8/71, 349, 354, 355, 356, 382, 383,
D8/394, 499; D11/212, 215; D2/978
CPC F16G 11/00; F16G 11/14; F16G 11/02;
F16G 11/04; F16G 11/10; F16G 11/103;
F16G 11/044; F16G 11/046; F16G
11/048; F16G 11/101; F16G 11/105;
F16G 11/03; Y10T 24/39; Y10T 24/3918;
Y10T 24/3971; Y10T 24/3973; Y10T
24/3713; Y10T 24/1406; Y10T 24/44222;
A43C 1/00; A43C 1/06

See application file for complete search history.

(56) **References Cited**

U.S. PATENT DOCUMENTS

D477,776 S * 7/2003 Pontaoe D8/396
D518,405 S * 4/2006 Stern D11/86

D550,067 S * 9/2007 Hsiao D8/356
D551,067 S * 9/2007 Kawamura D8/383
D573,456 S * 7/2008 Deilmann D8/383
D619,450 S * 7/2010 Yoshiguchi D8/383
D626,322 S * 11/2010 Servettaz D2/978
D773,923 S * 12/2016 Ishii D8/383
D773,924 S * 12/2016 Ishii D8/383
2013/0104346 A1 * 5/2013 Kawaguchi F16G 11/101
24/115 G
2015/0366299 A1 * 12/2015 Huang A44B 11/12
24/163 R

* cited by examiner

Primary Examiner — Sandra Snapp

Assistant Examiner — Ieisha Price

(74) *Attorney, Agent, or Firm* — Manabu Kanesaka

(57) **CLAIM**

The ornamental design for a cord lock, as shown and described.

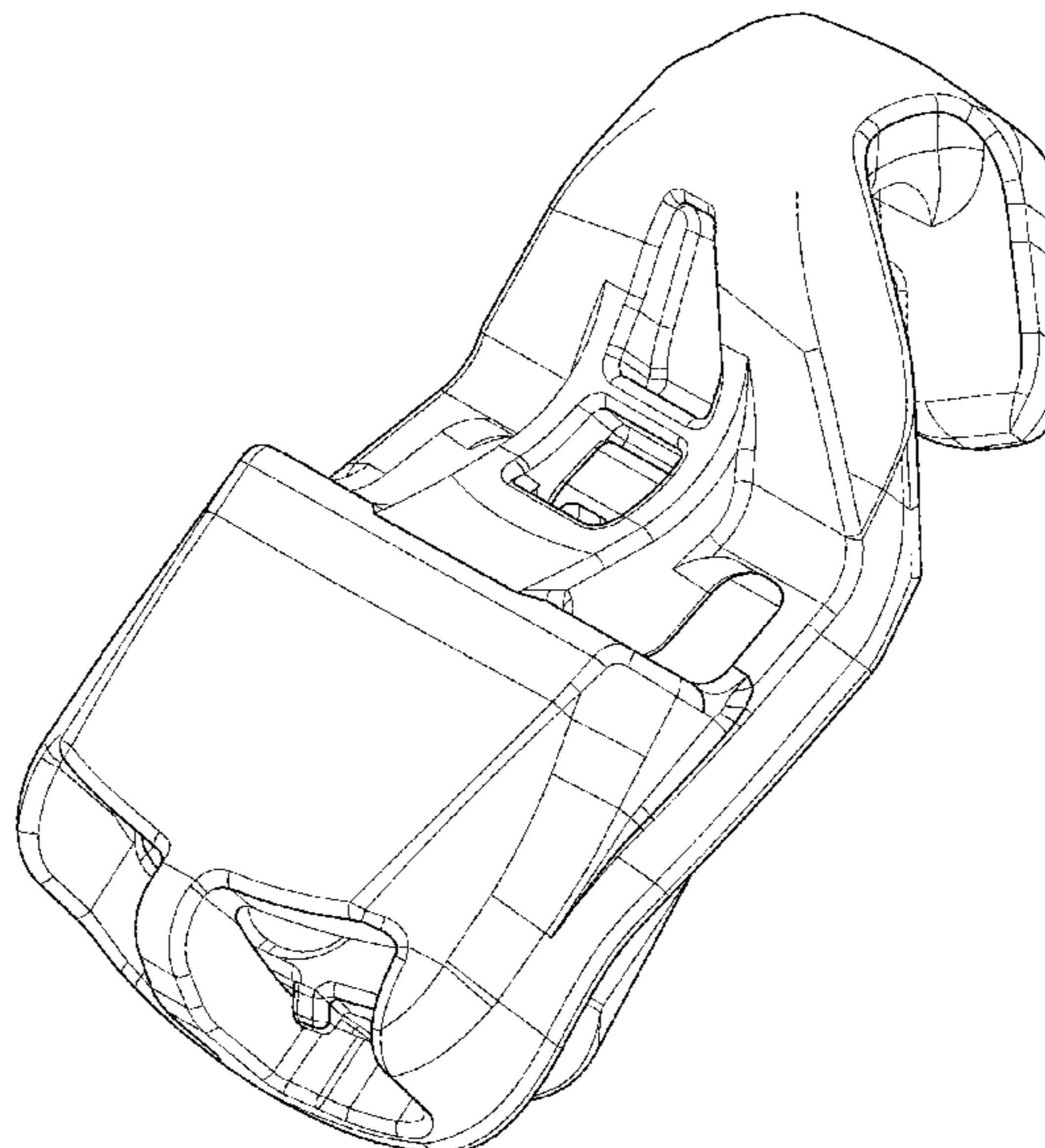
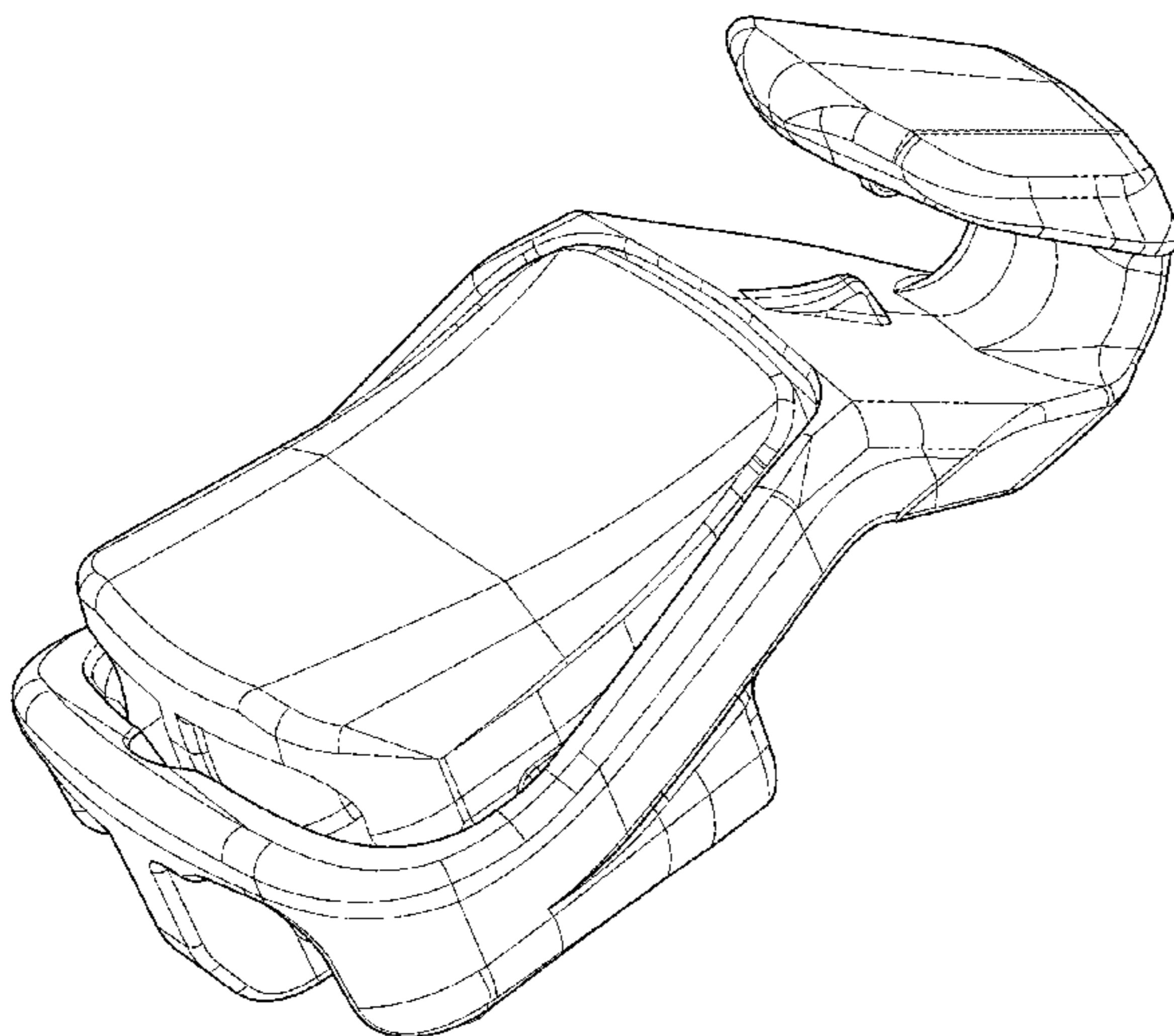
DESCRIPTION

FIG. 1 is a first perspective view of a cord lock showing my new design;
FIG. 2 is a second perspective view thereof;
FIG. 3 is a front view thereof;
FIG. 4 is a rear view thereof;
FIG. 5 is a top plan view thereof;
FIG. 6 is a bottom plan view thereof;
FIG. 7 is a right side view thereof;
FIG. 8 is a left side view thereof; and,
FIG. 9 is a cross-sectional view thereof along the line 9-9 in FIG. 3.

Outer thick lines indicate outer shapes of the cord lock, and inner thin lines indicate inner contour of the cord lock for illustration purpose.

The broken lines depict portions of the cord lock that form no part of claimed design.

1 Claim, 9 Drawing Sheets



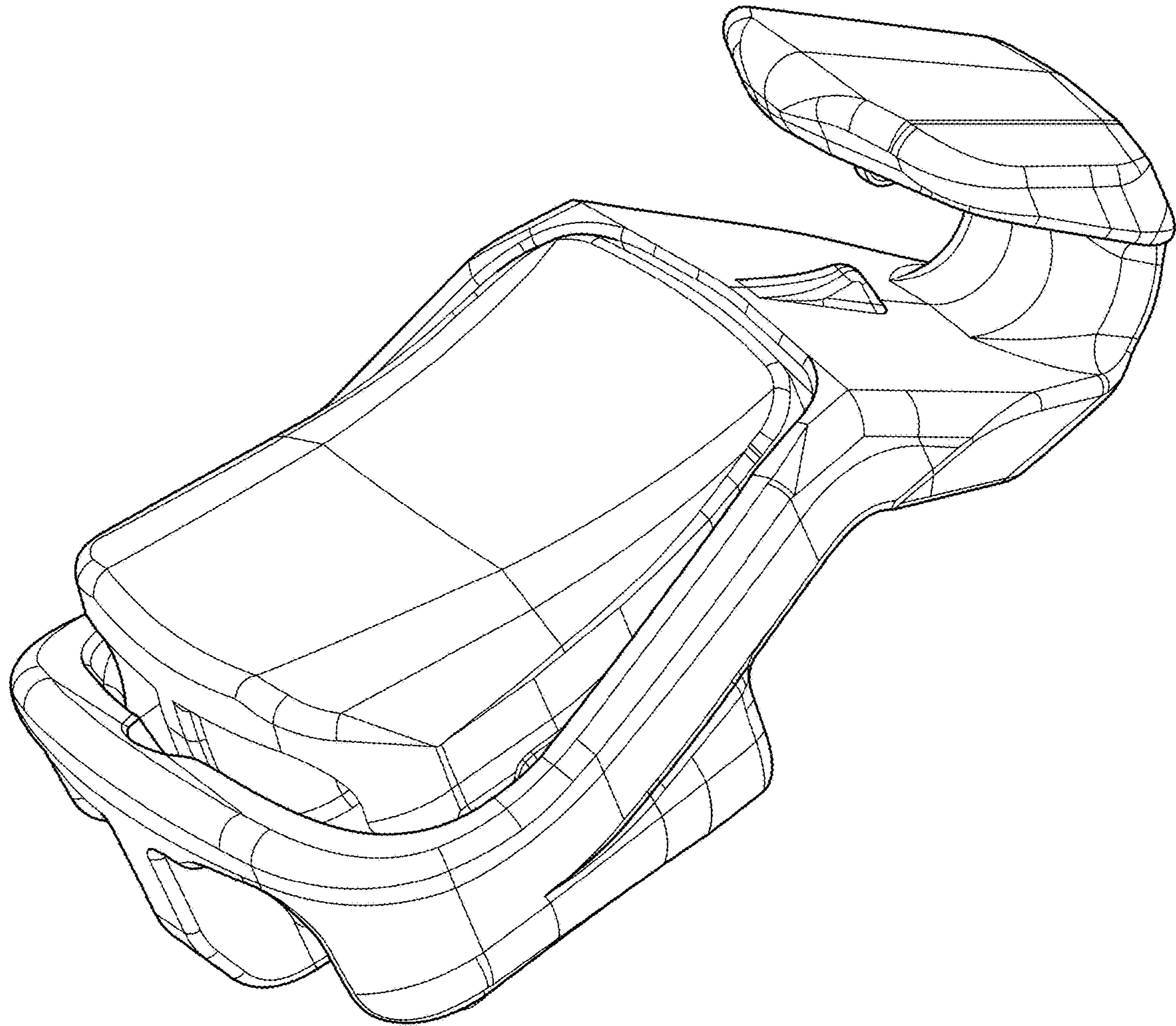


FIG. 1



FIG. 2

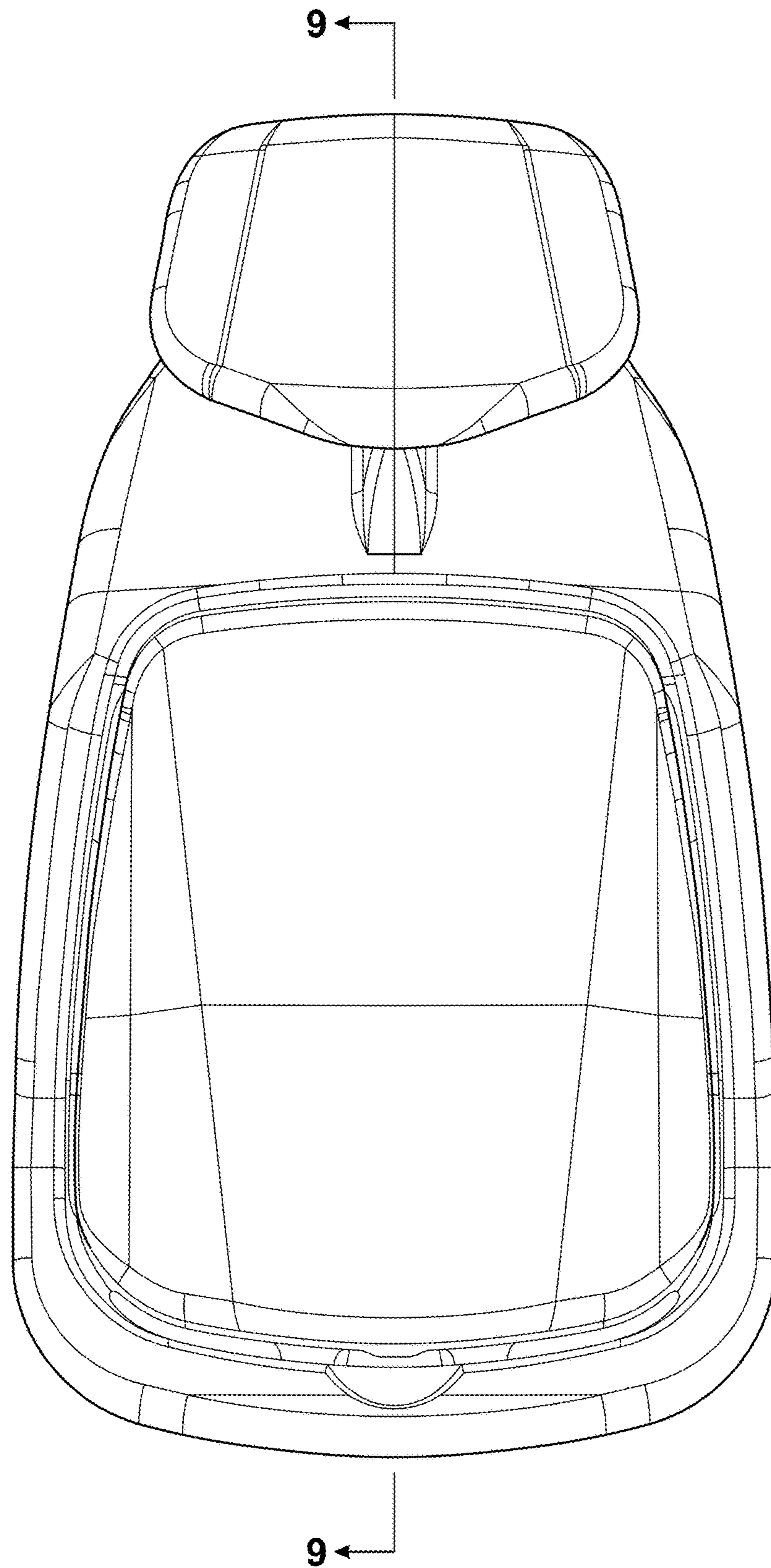


FIG. 3

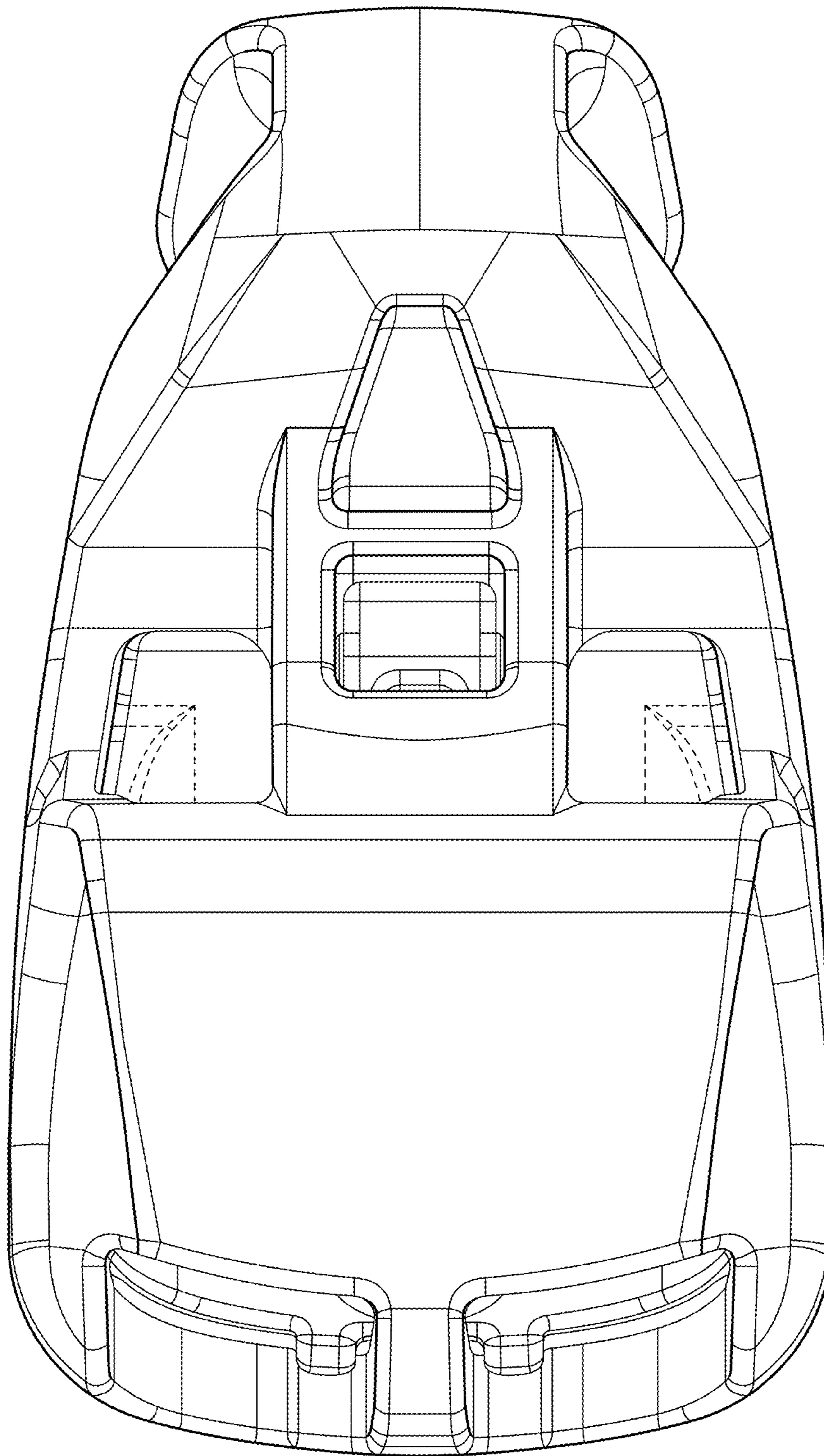


FIG. 4

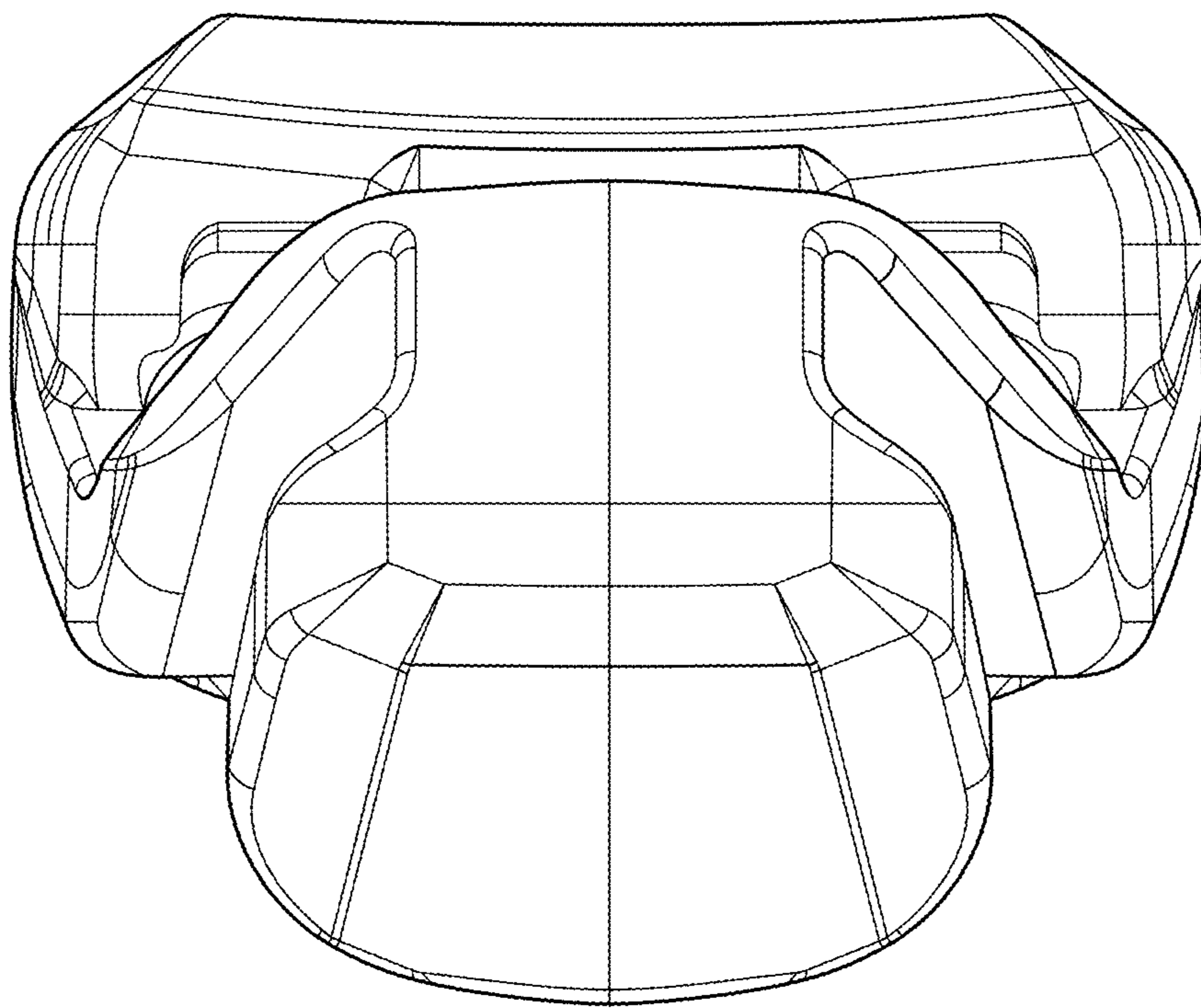


FIG. 5

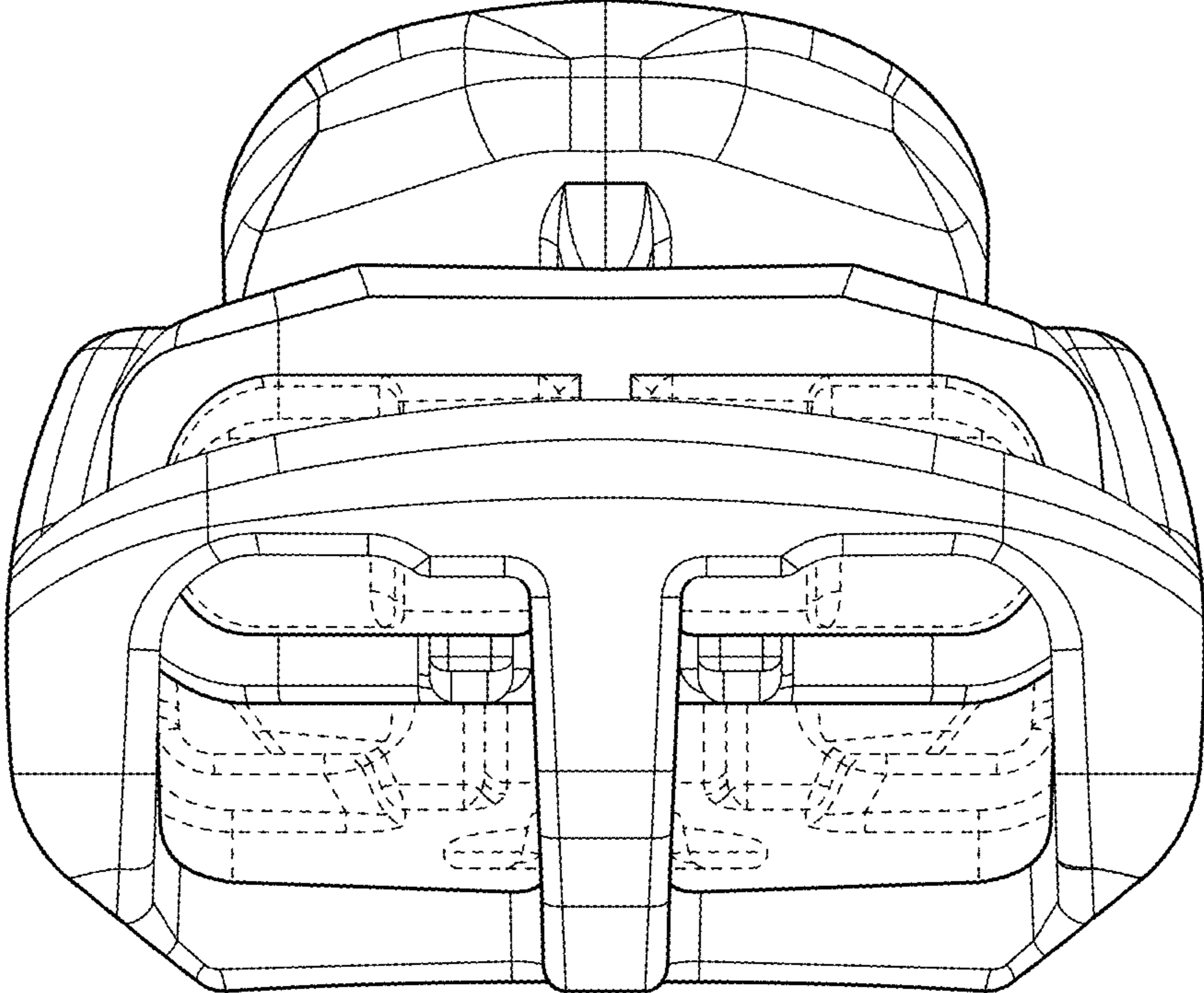


FIG. 6

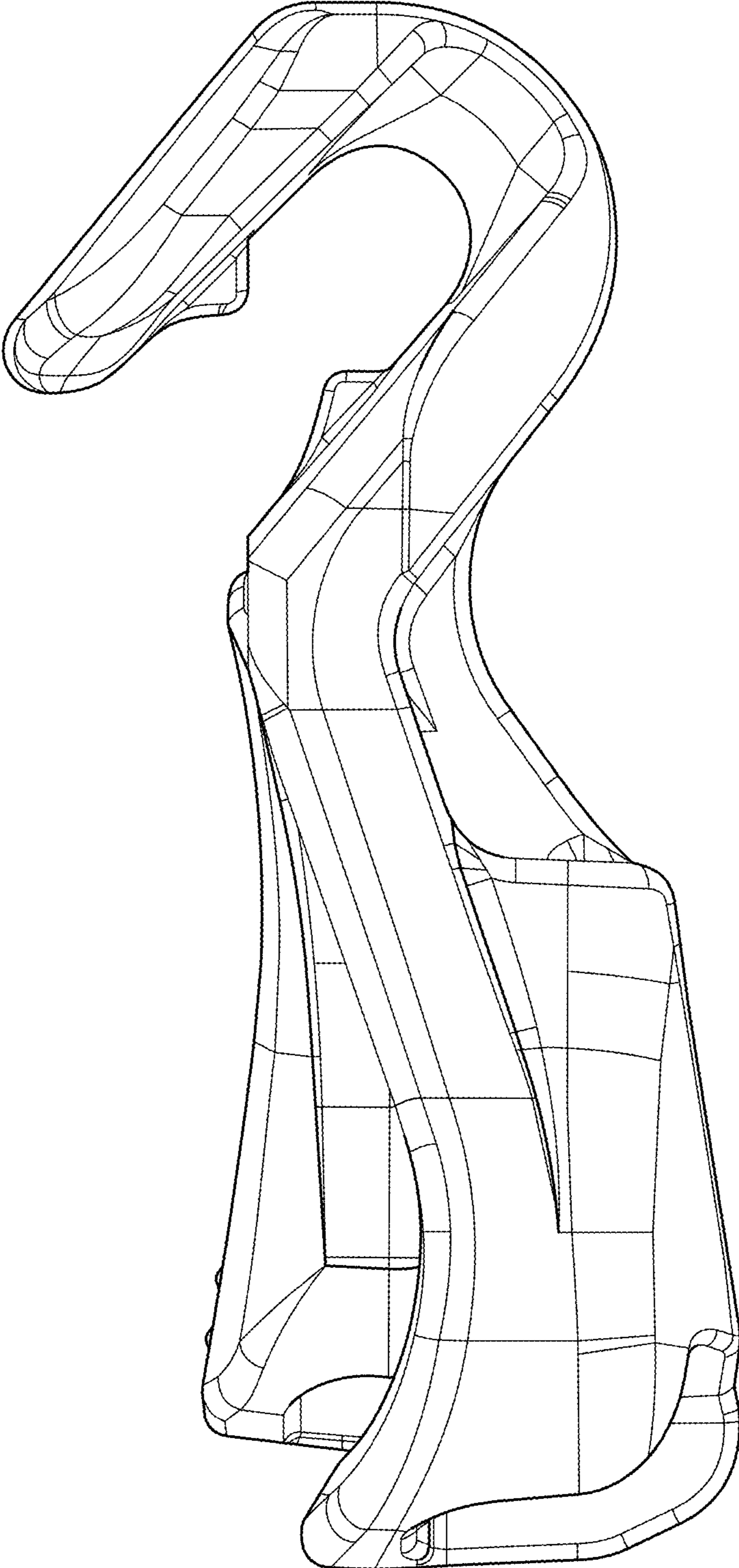


FIG. 7

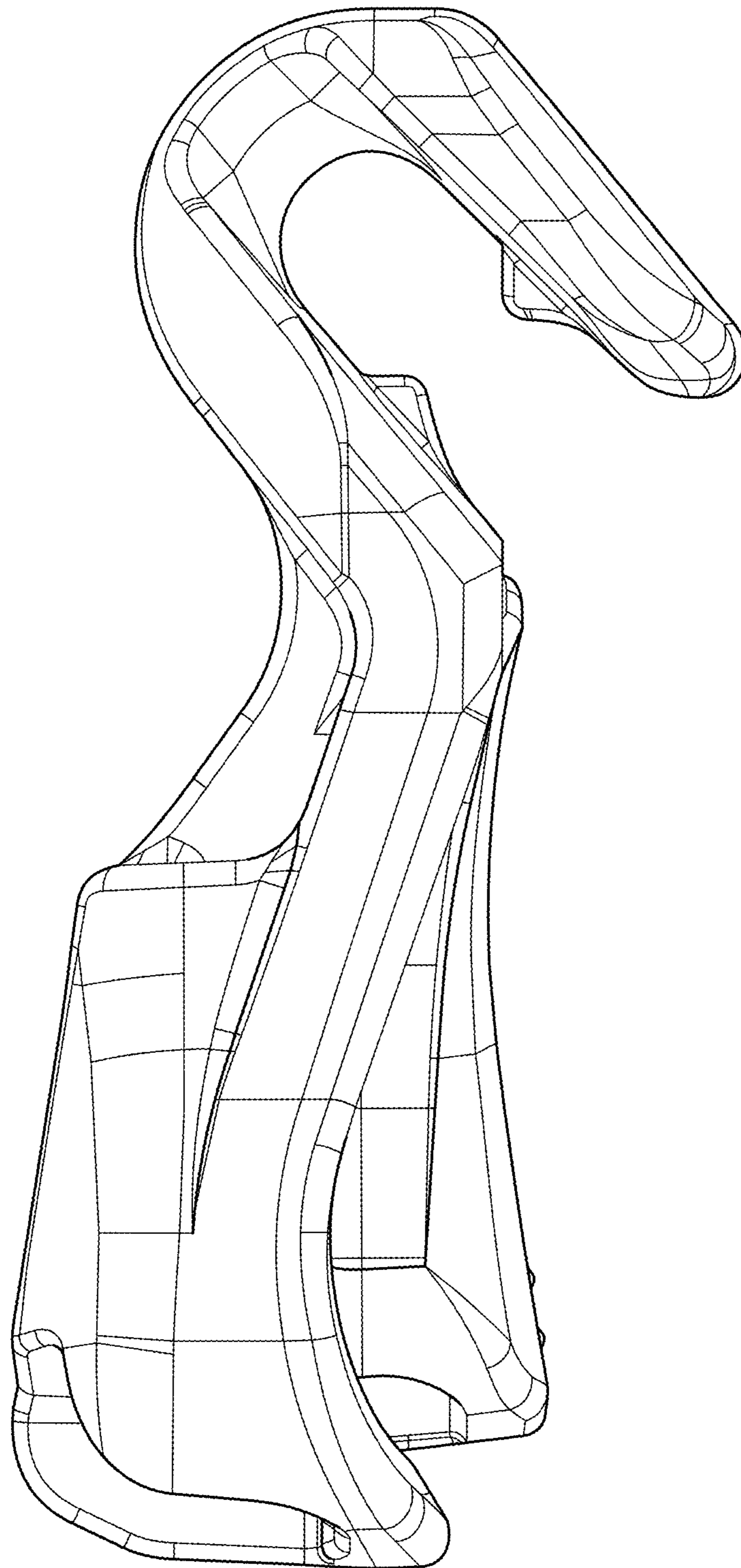


FIG. 8

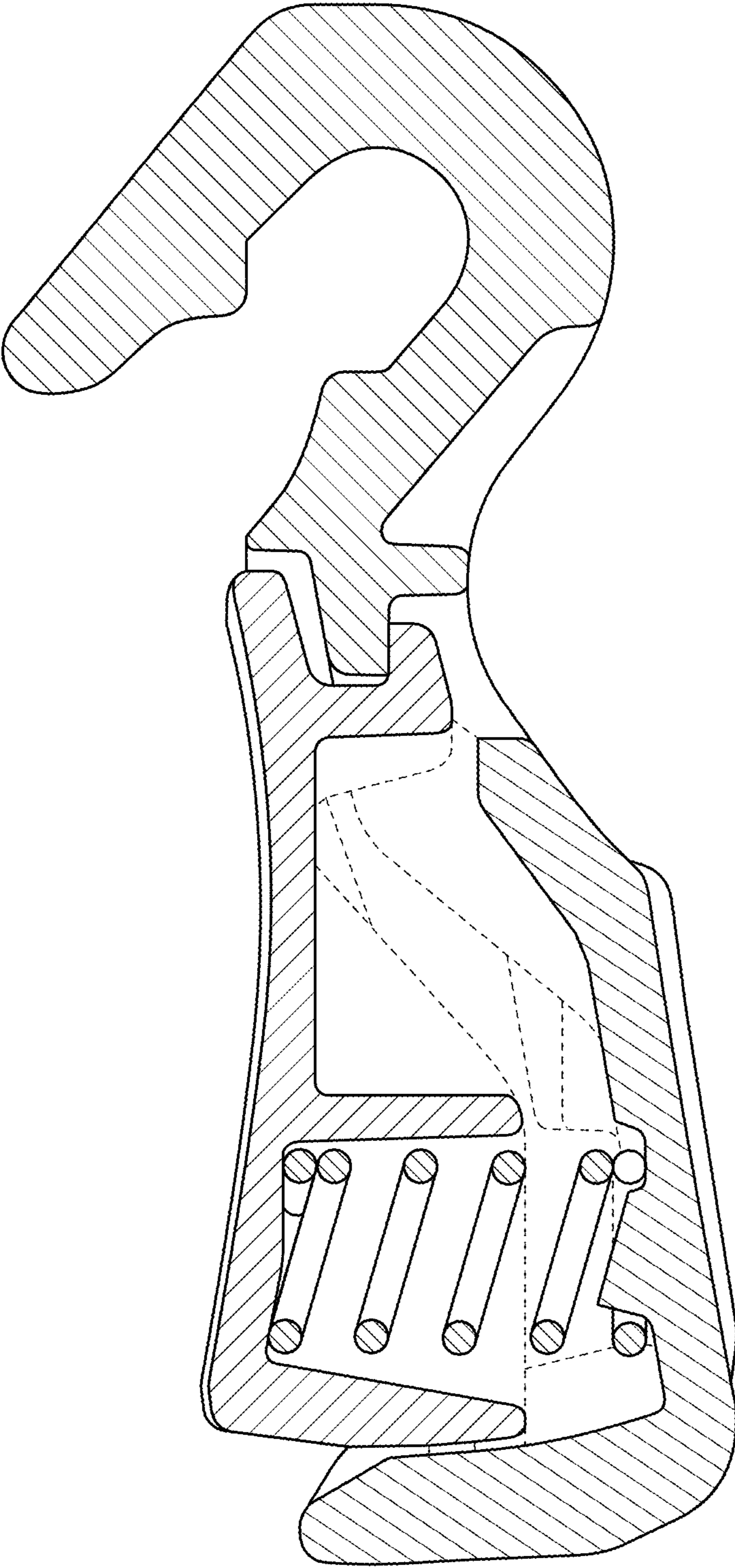


FIG. 9