



US00D793212S

(12) **United States Design Patent** (10) **Patent No.:** **US D793,212 S**  
**Thompson** (45) **Date of Patent:** **\*\* Aug. 1, 2017**

(54) **PIPE SUPPORT STRUCTURE** 5,542,631 A \* 8/1996 Bruno ..... F16L 3/133  
 248/289.11  
 (71) Applicant: **William J. Thompson**, Las Vegas, NV D380,144 S \* 6/1997 Lew ..... D8/380  
 (US) D392,553 S \* 3/1998 Dill ..... D8/380  
 5,845,882 A \* 12/1998 Hodges ..... E21F 17/02  
 248/59  
 (72) Inventor: **William J. Thompson**, Las Vegas, NV 6,595,471 B1 \* 7/2003 Botting ..... F16L 3/02  
 (US) 248/339  
 D507,961 S \* 8/2005 Goodman ..... D6/323  
 D551,064 S \* 9/2007 Humber ..... D8/373  
 D652,288 S \* 1/2012 Mercier ..... D8/396

(21) Appl. No.: **29/580,880**

(22) Filed: **Oct. 13, 2016**

(51) **LOC (10) Cl.** ..... **08-05**

(52) **U.S. Cl.**  
USPC ..... **D8/380**

(58) **Field of Classification Search**  
USPC ..... D8/380, 363, 367; 248/62, 63, 49  
CPC ..... F16L 1/19; F16L 1/18; F16L 3/00  
See application file for complete search history.

(56) **References Cited**

**U.S. PATENT DOCUMENTS**

3,265,340 A \* 8/1966 Attwood ..... F16L 3/11  
 248/62  
 4,407,478 A \* 10/1983 Hodges ..... F16L 3/237  
 248/542  
 D307,384 S \* 4/1990 Phillips ..... 182/206  
 D308,015 S \* 5/1990 Volpe ..... D12/317  
 4,979,707 A \* 12/1990 McErlean ..... A61J 9/0669  
 224/148.4  
 D330,672 S \* 11/1992 Wilkinson, III ..... D8/349  
 5,385,320 A \* 1/1995 Ismert ..... F16L 3/237  
 248/62

\* cited by examiner

*Primary Examiner* — Lakiya Rogers

*Assistant Examiner* — Harold E Blackwell, II

(57) **CLAIM**

The ornamental design for the pipe support structure, as shown and described.

**DESCRIPTION**

FIG. 1 is a left side perspective view of the pipe support structure of the claimed design;

FIG. 2 is a back view of the pipe support structure of the claimed design;

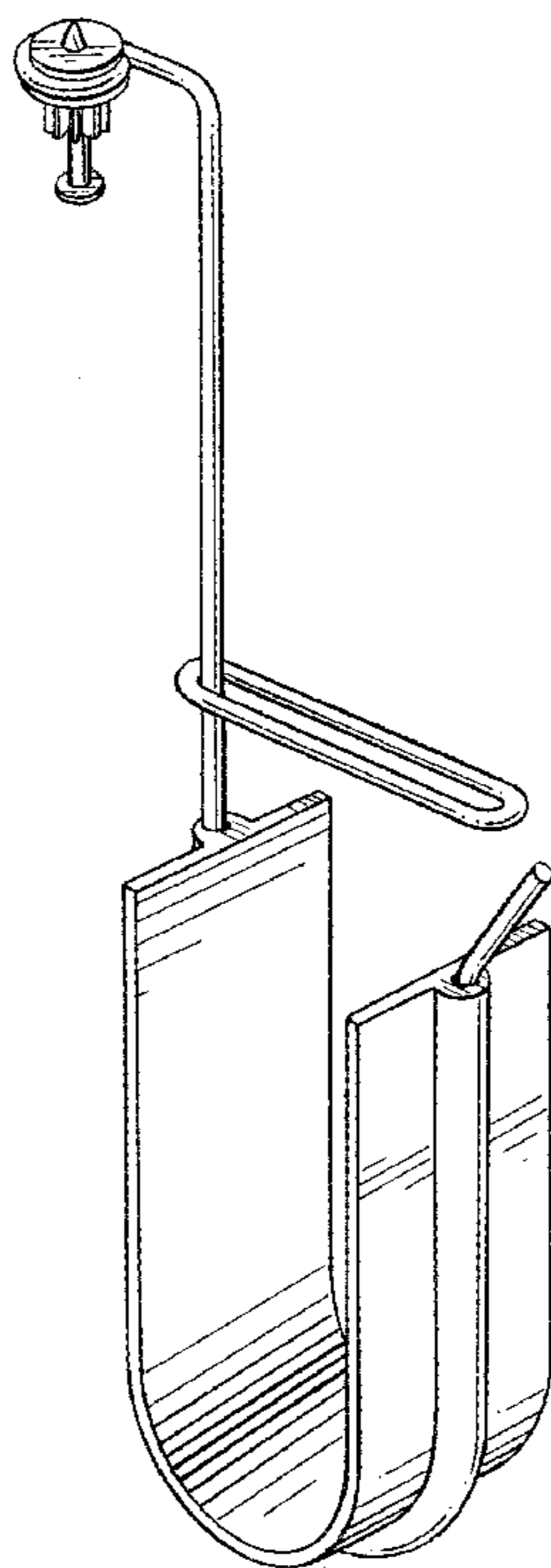
FIG. 3 is a right side view of the pipe support structure of the claimed design;

FIG. 4 is a back view of the pipe support structure of the claimed design;

FIG. 5 is a top view of the pipe support structure of the claimed design; and,

FIG. 6 is a bottom view of the pipe support structure of the claimed design.

**1 Claim, 3 Drawing Sheets**



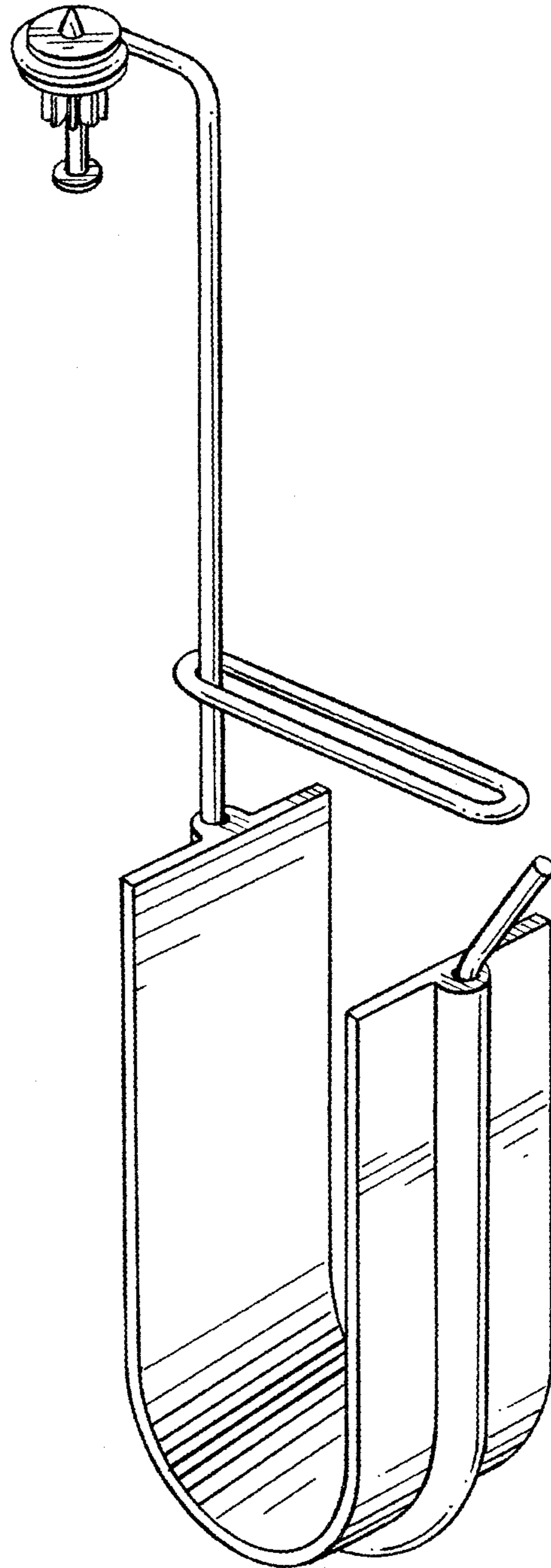


FIG. 1

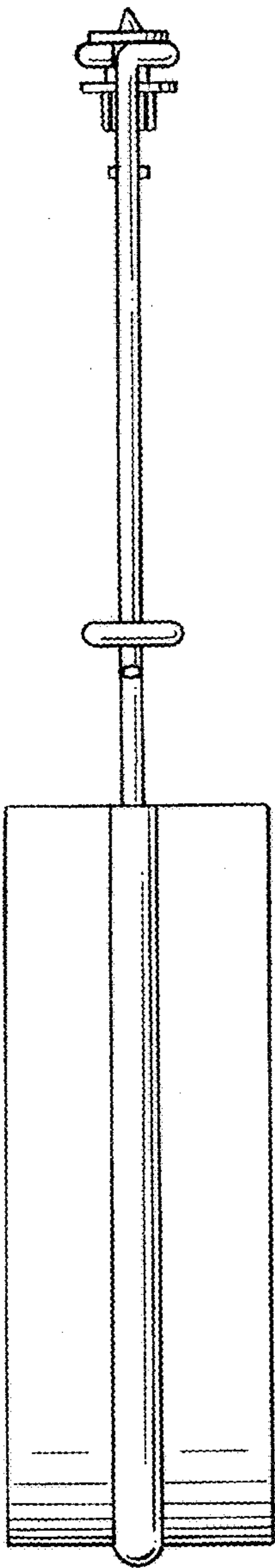


FIG. 2

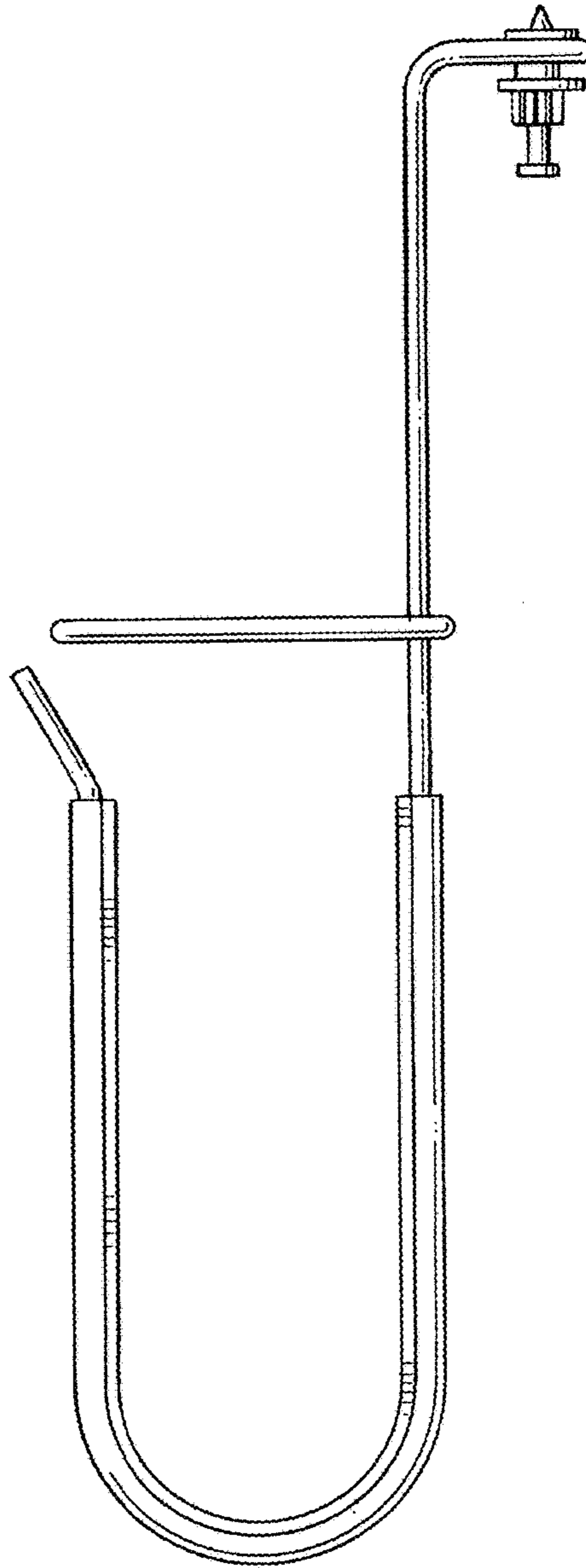


FIG. 3

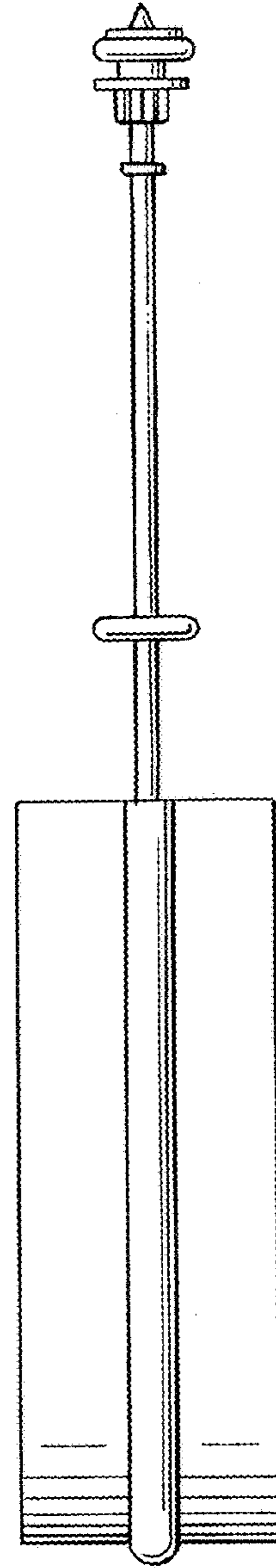


FIG. 4

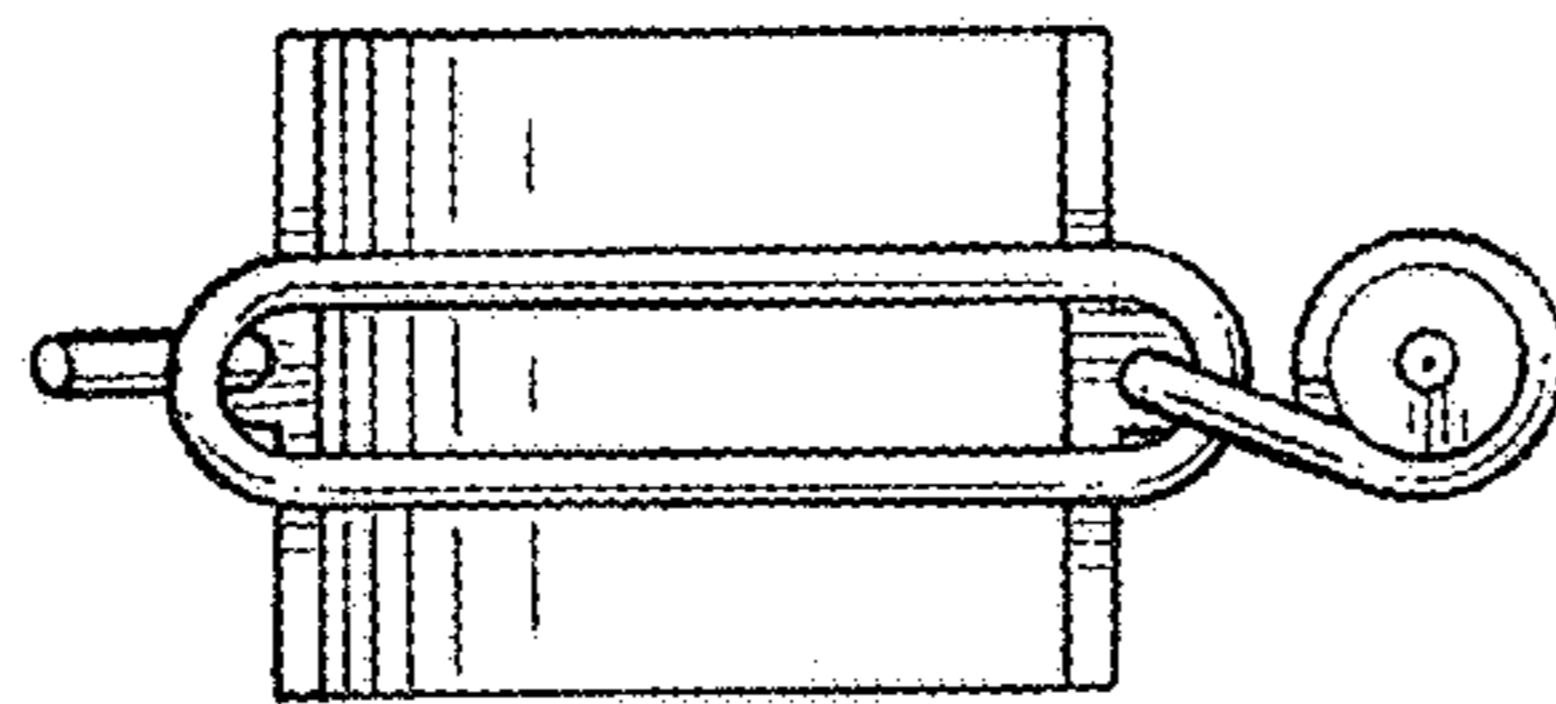


FIG. 5

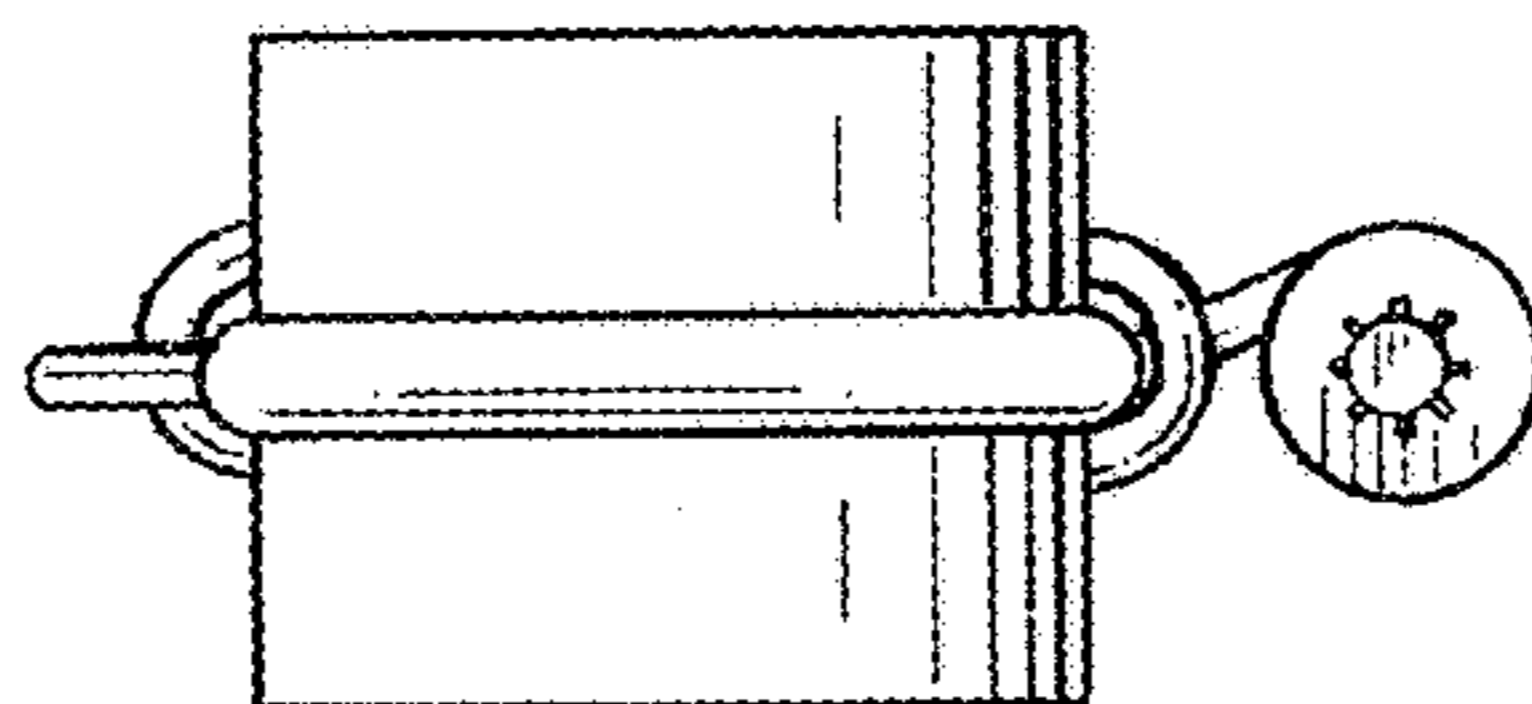


FIG. 6