



US00D793209S

(12) **United States Design Patent**  
**Galpchian**

(10) **Patent No.:** **US D793,209 S**

(45) **Date of Patent:** **\*\* Aug. 1, 2017**

- (54) **POWER CORD RETAINER**
- (71) Applicant: **Levon Galpchian**, Cranston, RI (US)
- (72) Inventor: **Levon Galpchian**, Cranston, RI (US)
- (73) Assignee: **Tower Manufacturing Corp**,  
Providence, RI (US)
- (\*\*) Term: **15 Years**
- (21) Appl. No.: **29/505,876**
- (22) Filed: **Mar. 22, 2016**
- (51) **LOC (10) Cl.** ..... **08-05**
- (52) **U.S. Cl.**  
USPC ..... **D8/356; D8/349**
- (58) **Field of Classification Search**  
USPC ..... D8/349, 394, 356; 439/373, 371, 372,  
439/359  
CPC ..... H01R 13/6395; H01R 13/5804; H01R  
13/6392; H01R 13/623; H01R 13/639;  
H01R 24/28  
See application file for complete search history.

- 4,702,709 A \* 10/1987 Santilli ..... H01R 13/6395  
174/67
- D311,618 S \* 10/1990 Mattesky ..... D32/73
- 5,044,976 A \* 9/1991 Thompson ..... H01R 13/6395  
439/368
- D340,695 S \* 10/1993 Merriman ..... D13/154
- 5,323,845 A \* 6/1994 Kin-shon ..... H01L 23/4093  
165/80.3
- 5,348,495 A \* 9/1994 Kasden ..... H01R 13/6395  
439/371
- 5,593,313 A \* 1/1997 Shibuya ..... H01R 13/6395  
439/372
- D383,051 S \* 9/1997 Oien ..... D8/356
- 5,860,827 A \* 1/1999 Lee ..... H01R 13/6395  
439/372
- 6,071,142 A \* 6/2000 Blackman ..... H01R 13/6395  
439/373
- 6,095,846 A \* 8/2000 Becerra ..... H01R 13/6395  
439/371

(Continued)

*Primary Examiner* — Mark Goodwin

(57) **CLAIM**

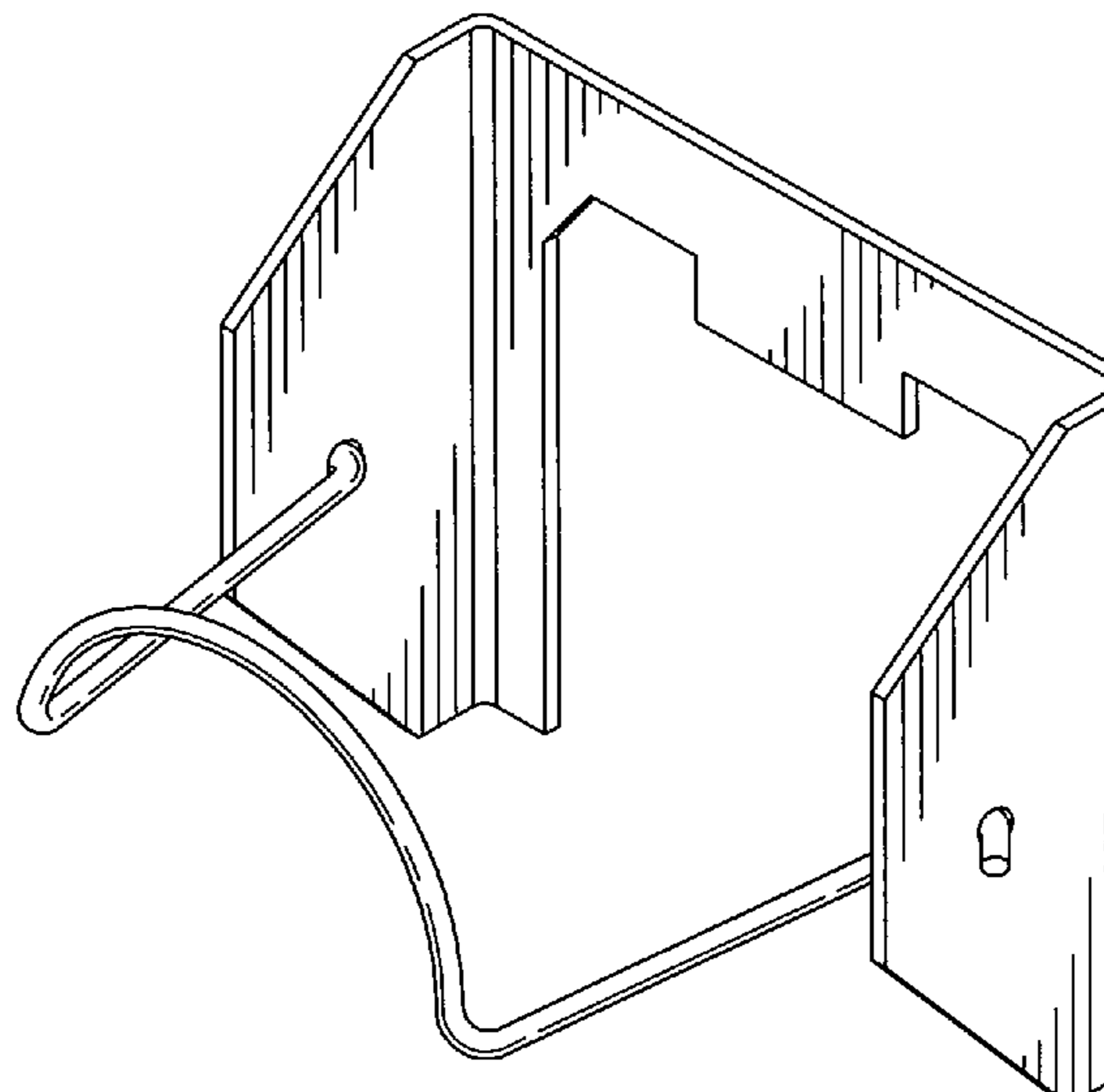
The ornamental design for a power cord retainer, as shown and described.

**DESCRIPTION**

FIG. 1 is a front perspective view of the power cord retainer employing my new design;  
 FIG. 2 is a front view of FIG. 1;  
 FIG. 3 is a rear view of FIG. 1;  
 FIG. 4 is a top view of FIG. 1;  
 FIG. 5 is a bottom view of FIG. 1;  
 FIG. 6 is a left side view of FIG. 1;  
 FIG. 7 is a right side view of FIG. 1;  
 FIG. 8 illustrates a perspective view of the power cord retainer in a disengaged position; and,  
 FIG. 9 illustrates a perspective view of the power cord retainer in an engaged position for securing a power cord.  
 The broken lines of FIGS. 8-9 are for illustrative purposes only and forms no part of the claimed design.

**1 Claim, 6 Drawing Sheets**

- (56) **References Cited**  
U.S. PATENT DOCUMENTS
- 2,722,665 A \* 11/1955 Sauder ..... H01R 13/447  
174/67
- 3,811,104 A \* 5/1974 Caldwell ..... H01R 13/6395  
439/135
- 3,871,731 A \* 3/1975 LaCoursiere,  
Sr. .... H01R 13/6395  
439/367
- 3,930,116 A \* 12/1975 Richards ..... H01R 13/60  
174/66
- 4,066,313 A \* 1/1978 von dem Hagen H01R 13/6395  
439/371
- 4,105,274 A \* 8/1978 Casey ..... H01R 13/6395  
439/368
- D275,175 S \* 8/1984 Rolli, Jr. .... D13/154



(56)

References Cited

U.S. PATENT DOCUMENTS

6,327,159 B1 *	12/2001	Davies	.....	G06F 1/181 174/72 A	7,938,671 B2 *	5/2011	Hayden, Sr.	.....	H01R 13/5833 439/371
6,491,539 B1 *	12/2002	Johnston	.....	H01R 13/6395 439/369	8,248,820 B2 *	8/2012	Wu	.....	H05K 7/1492 361/730
6,767,237 B1 *	7/2004	Shih	.....	H01R 13/6392 439/371	8,287,298 B2 *	10/2012	Hsu	.....	H01R 13/6395 439/352
7,014,493 B1 *	3/2006	Battard	.....	H01R 13/6395 439/371	8,529,285 B1 *	9/2013	Sievers	.....	H01R 13/6395 439/373
7,140,903 B2 *	11/2006	Pulizzi	.....	H01R 13/5804 439/371	8,777,655 B2 *	7/2014	Blanton	.....	H01R 13/6392 439/372
7,264,497 B1 *	9/2007	Lewis	.....	H01R 13/6392 439/371	8,975,518 B1 *	3/2015	Gretz	.....	H02G 3/086 174/50
D581,255 S *	11/2008	Calvin	.....	D8/356	9,210,828 B2 *	12/2015	Liao	.....	H05K 7/1492
7,513,791 B1 *	4/2009	Gary	.....	H01R 13/6395 439/373	9,276,357 B2 *	3/2016	Hutchison		
7,559,788 B2 *	7/2009	Legg	.....	H01R 13/6395 439/371	2002/0068477 A1 *	6/2002	Chen-Chiang	.....	H01R 13/6395 439/373
7,695,305 B1 *	4/2010	Ray	.....	H01R 13/6395 439/359	2004/0038581 A1 *	2/2004	Brown	.....	H01R 13/6395 439/373
7,722,380 B1 *	5/2010	West	.....	H01R 13/6395 439/373	2005/0164548 A1 *	7/2005	Spears	.....	G06F 1/182 439/540.1
D629,286 S *	12/2010	Laskowski	.....	D8/356	2006/0046557 A1 *	3/2006	Pulizzi	.....	H01R 13/5804 439/371
7,850,478 B2 *	12/2010	Lin	.....	H01R 13/6395 439/372	2008/0076291 A1 *	3/2008	Ewing	.....	H01R 13/5812 439/373
					2013/0095691 A1 *	4/2013	Blanton	.....	H01R 13/6395 439/370

\* cited by examiner

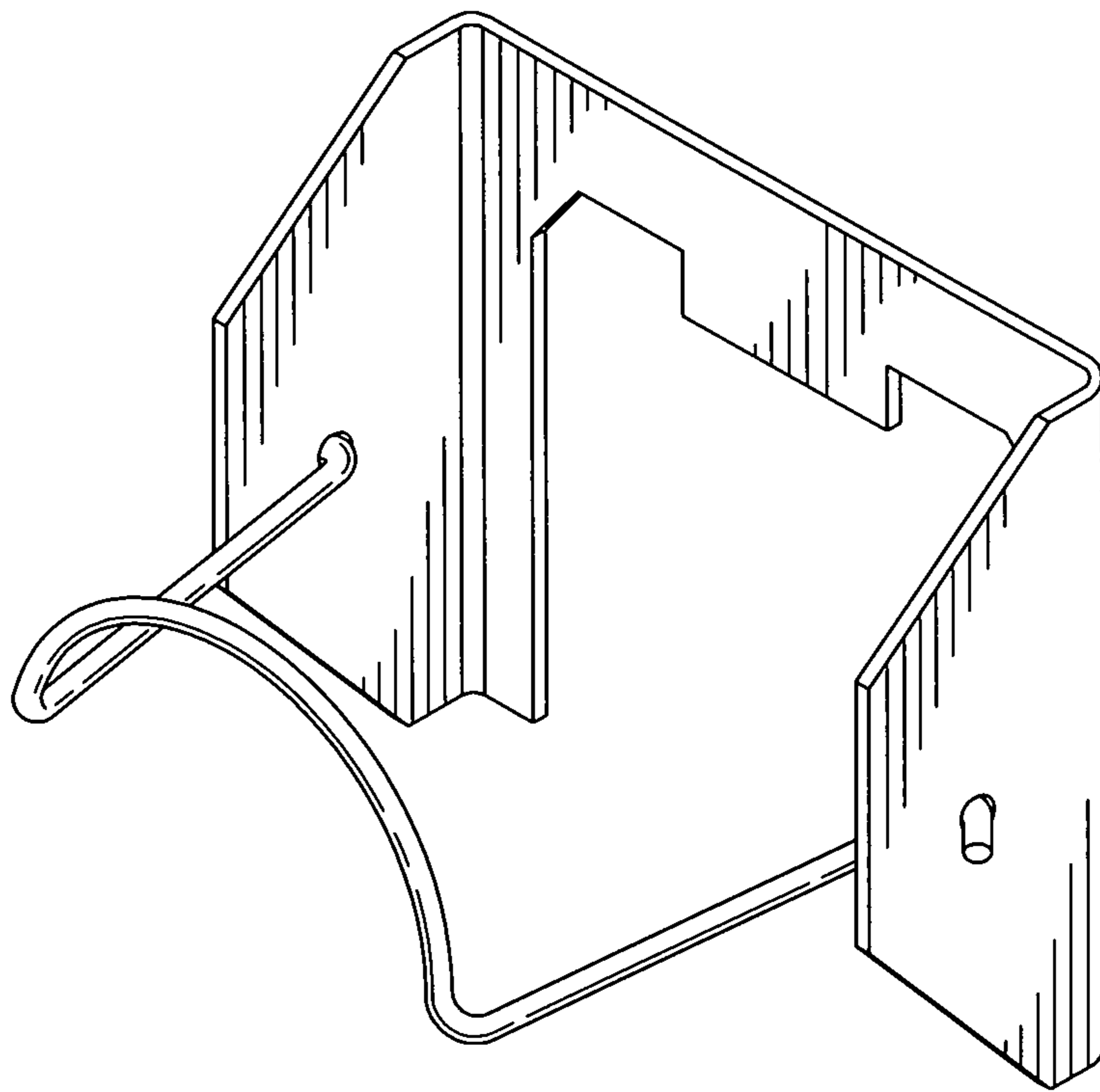


FIG. 1

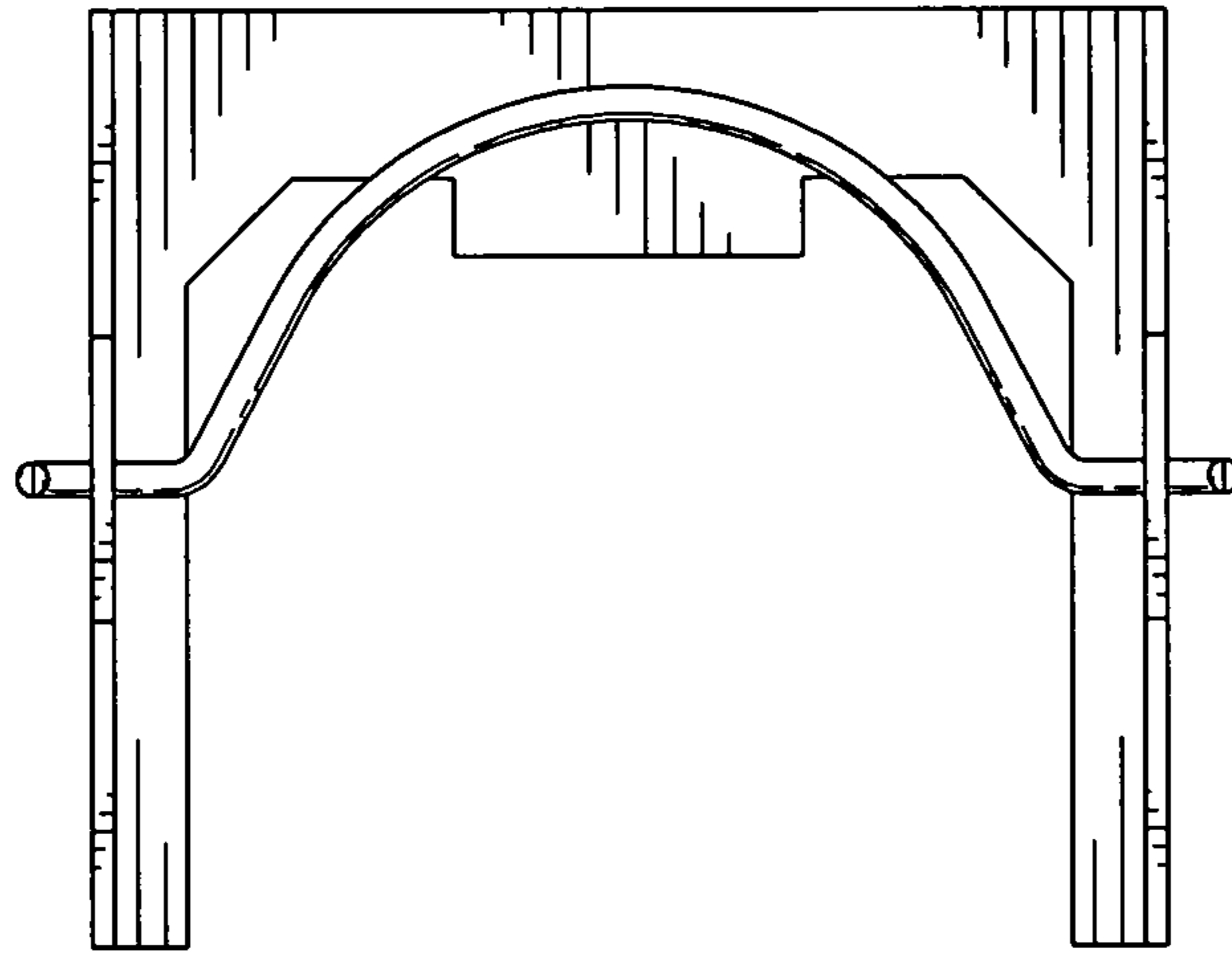


FIG. 2

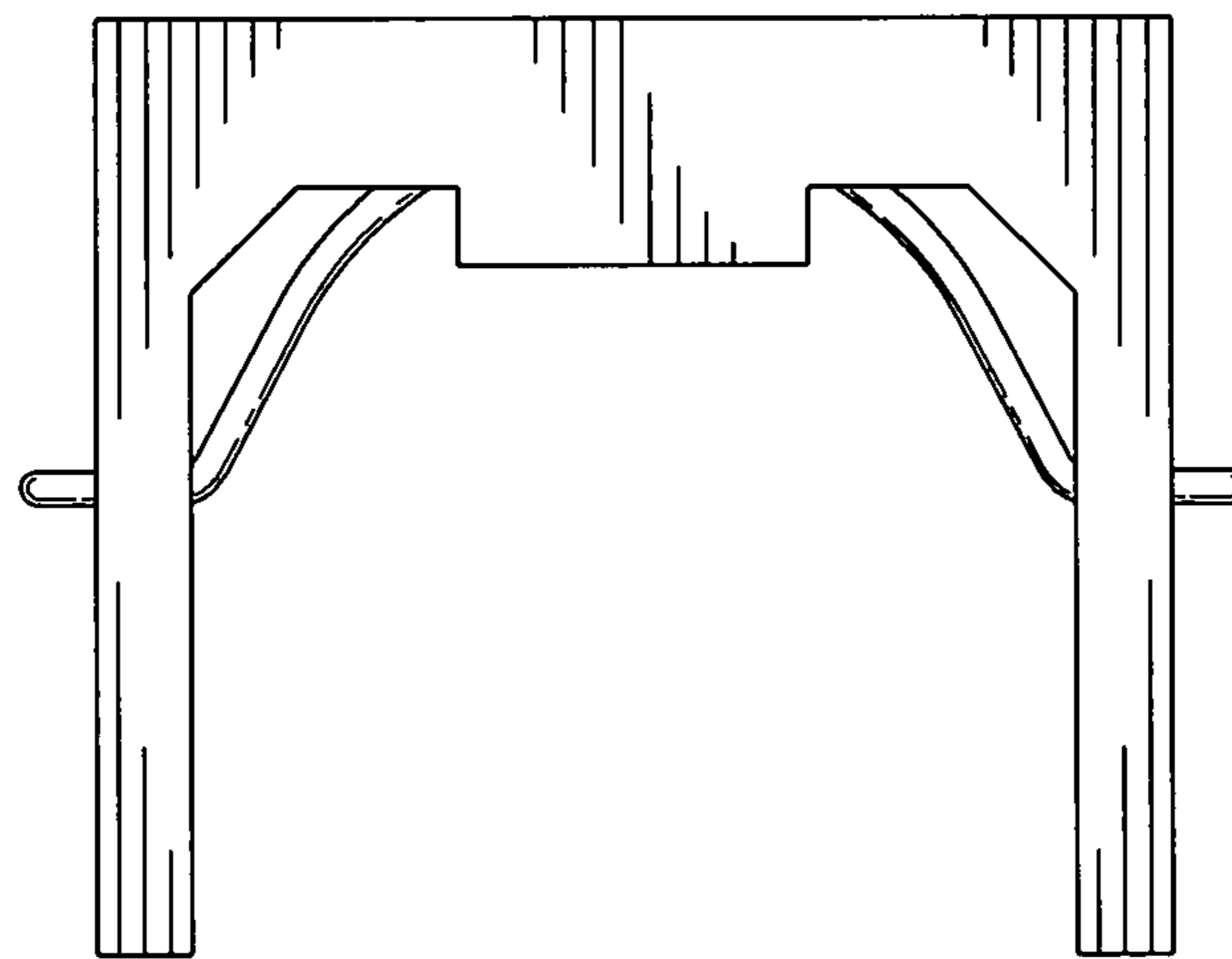


FIG. 3

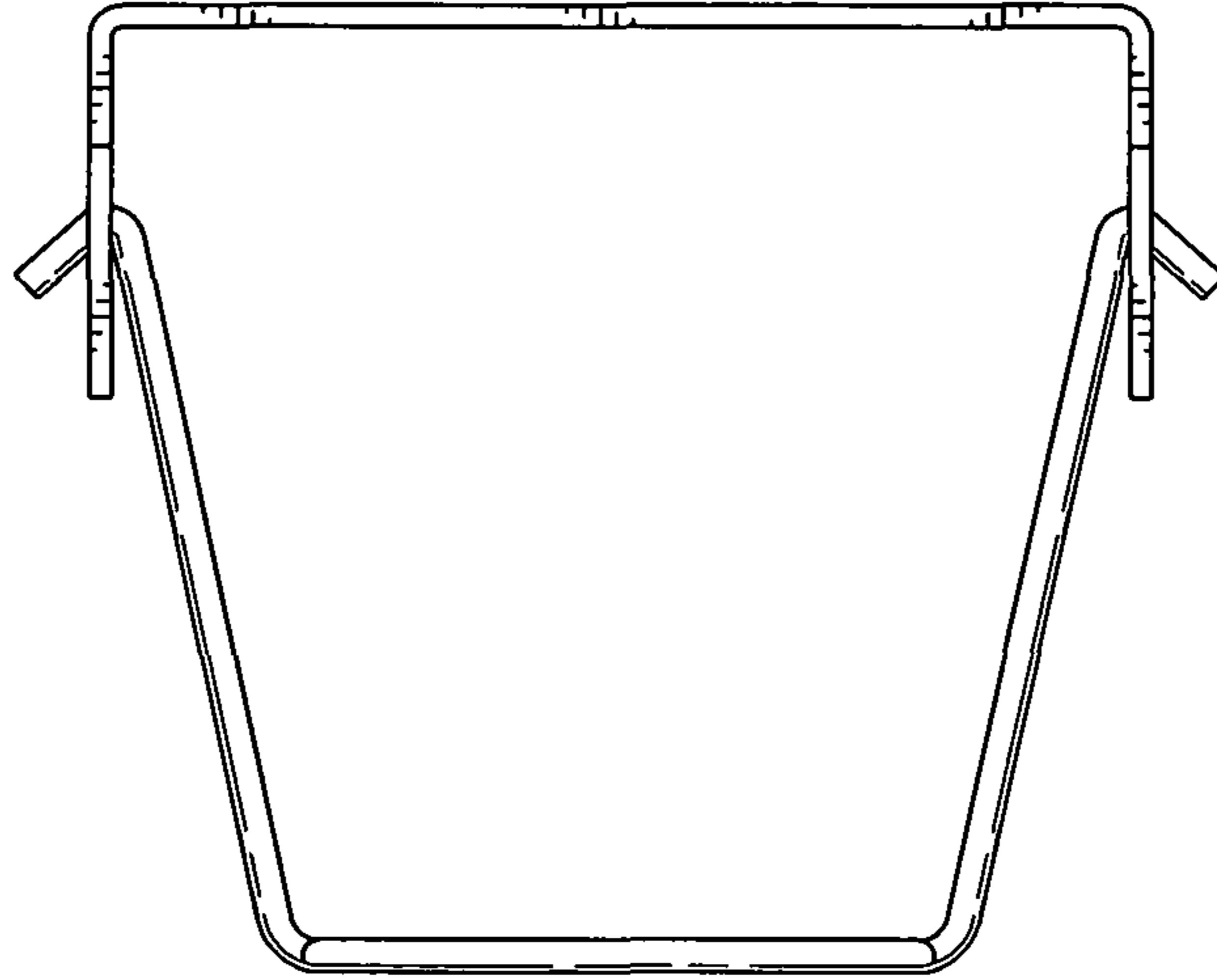


FIG. 4

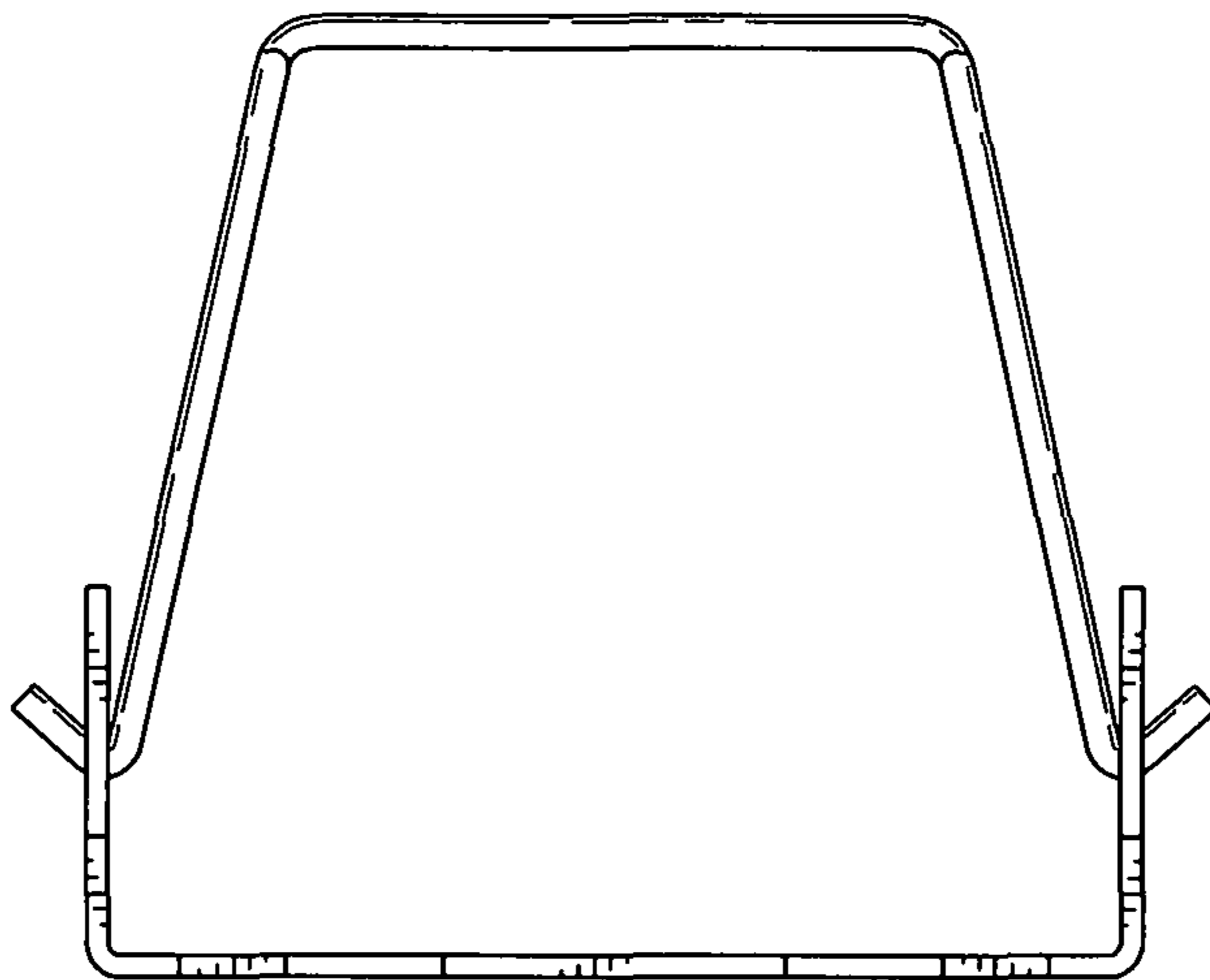


FIG. 5

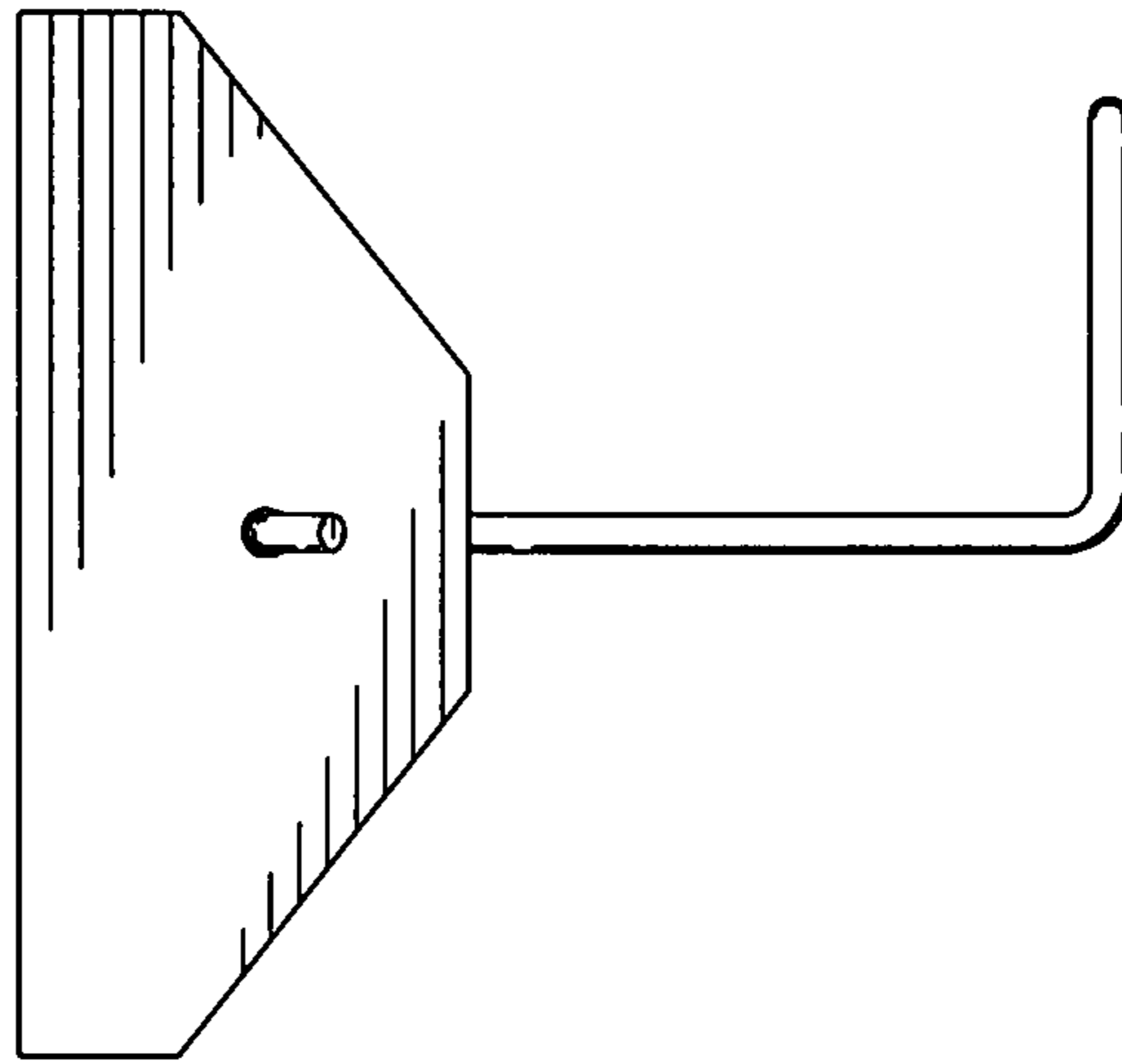


FIG. 6

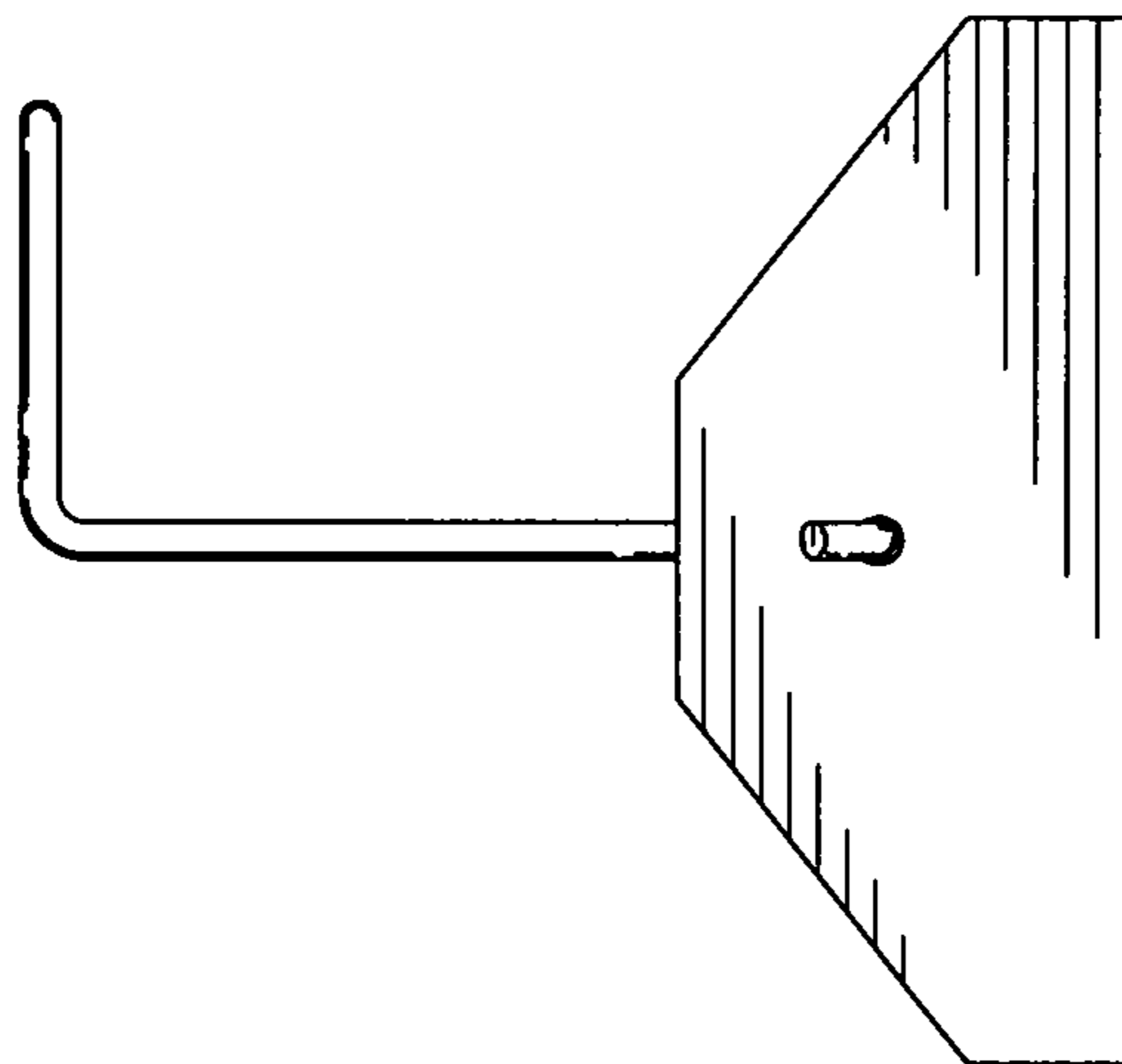


FIG. 7

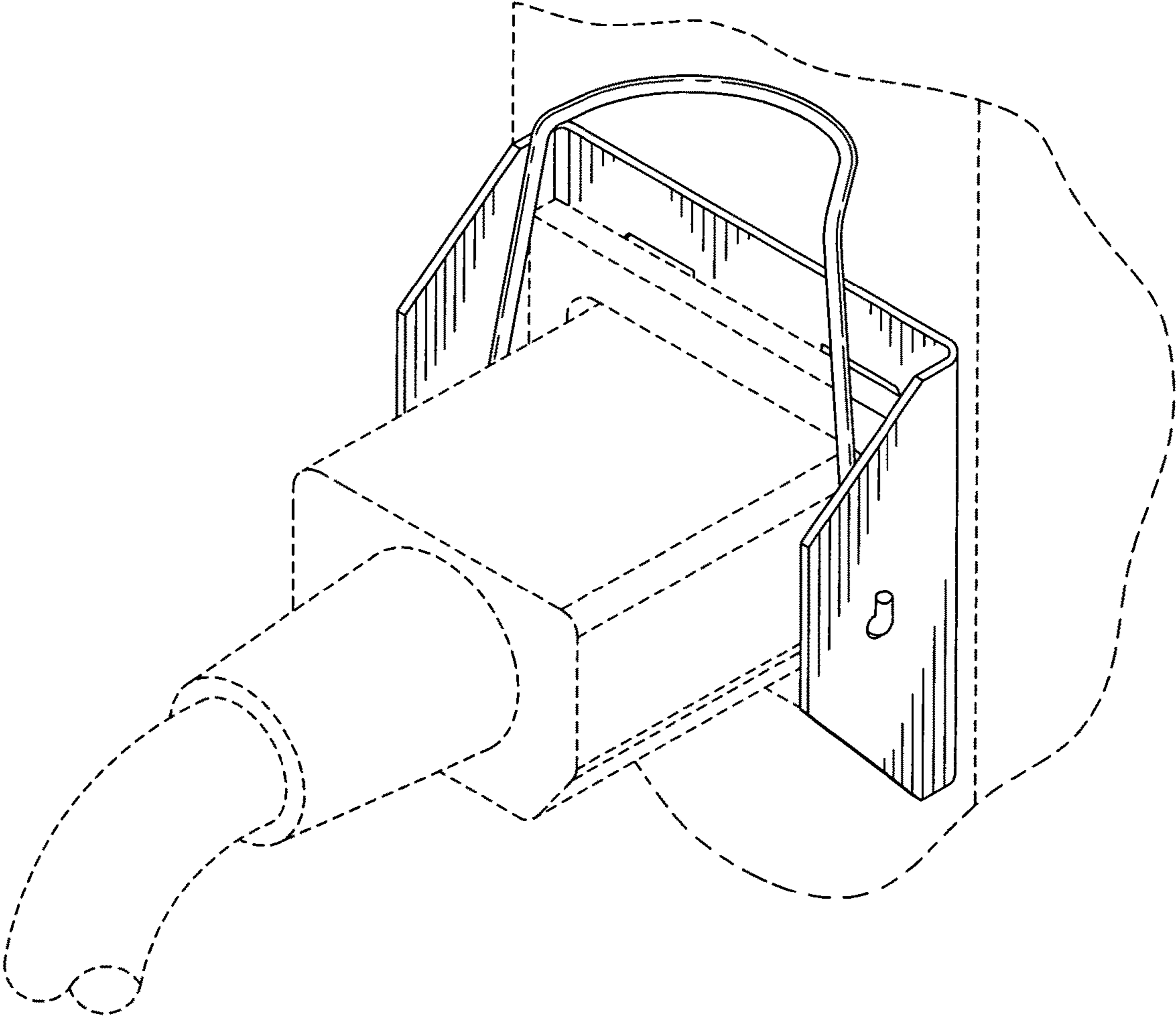


FIG. 8

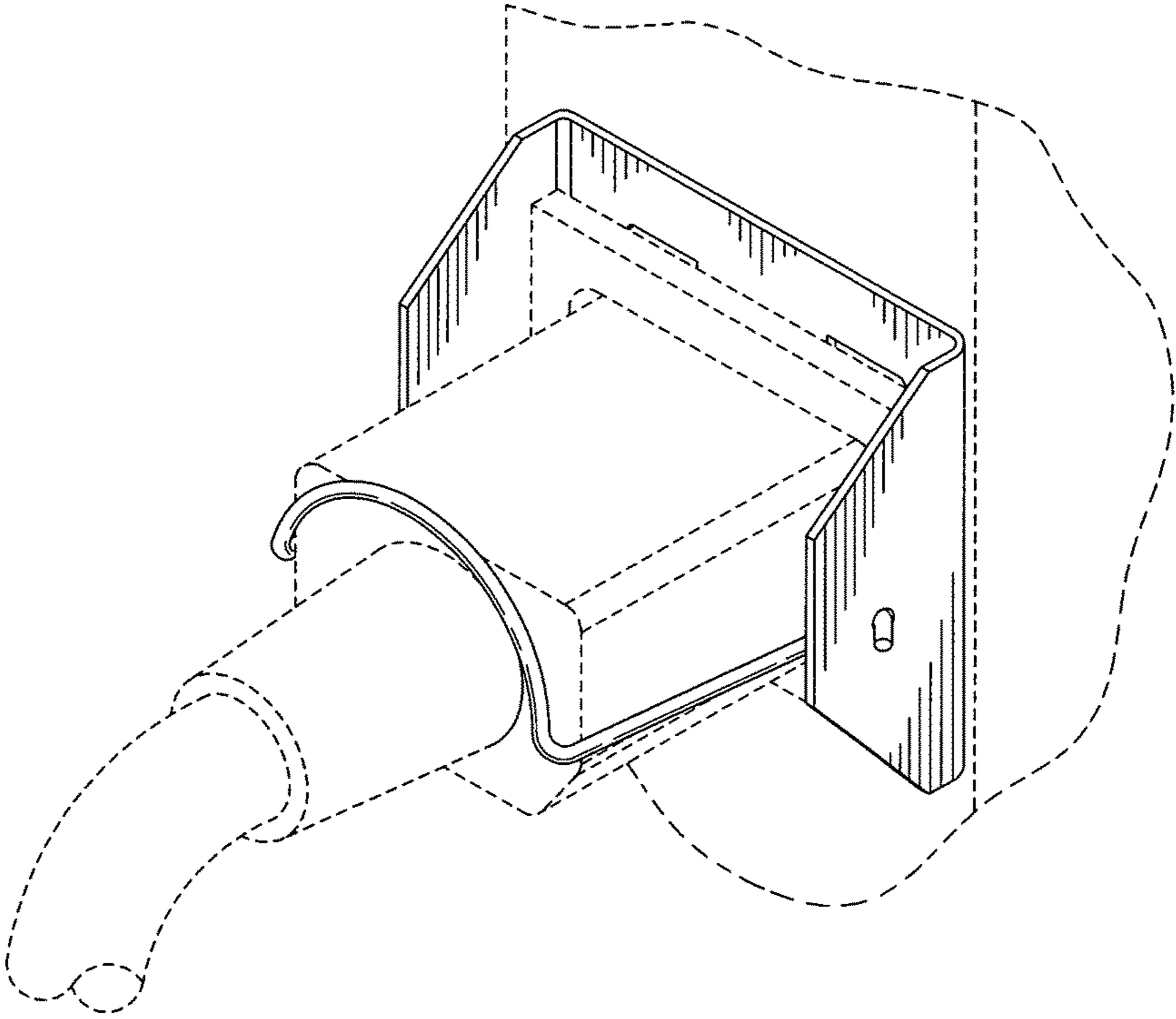


FIG. 9