



US00D793207S

(12) **United States Design Patent**
Terkel

(10) **Patent No.:** **US D793,207 S**

(45) **Date of Patent:** **** Aug. 1, 2017**

(54) **CIRCULAR SHAPED KEY HEAD AND
BLADE**

(71) Applicant: **Giant Concepts LLC**, Los Angeles,
CA (US)

(72) Inventor: **Amir Terkel**, Reseda, CA (US)

(**) Term: **15 Years**

(21) Appl. No.: **29/564,463**

(22) Filed: **May 13, 2016**

(51) **LOC (10) Cl.** **08-07**

(52) **U.S. Cl.**
USPC **D8/347**

(58) **Field of Classification Search**
USPC D8/347, 348; 70/51, 336, 344, 348, 391,
70/393, 402, 408, 416, 429, 430, 460,
70/447, 257, 278.2, 278.3, 413, 456 R,
70/25, 2
CPC E05B 19/00; E05B 19/04; E05B 19/20;
E05B 13/00; E05B 11/00; E05B 27/00
See application file for complete search history.

(56) **References Cited**

U.S. PATENT DOCUMENTS

1,852,950 A * 4/1932 Amrhein E05B 19/04
70/408
4,376,381 A * 3/1983 Muus E05B 27/0053
70/337

D353,760 S * 12/1994 Eizen D8/347
D361,031 S * 8/1995 Marthaler D8/347
D367,602 S * 3/1996 Schweig D8/347
D502,088 S * 2/2005 Asmerian D8/347
7,047,777 B2 * 5/2006 Banks E05B 19/04
340/5.6
D570,196 S * 6/2008 McKinnon D8/347
D575,628 S * 8/2008 Strawn D8/347
D648,206 S * 11/2011 Kaluza D8/347
2004/0079125 A1 4/2004 Morehart

* cited by examiner

Primary Examiner — Prabhakar Deshmukh

(74) *Attorney, Agent, or Firm* — Kundu PLLC

(57) **CLAIM**

The ornamental design of a circular shaped key head and blade, as shown and described.

DESCRIPTION

FIG. 1 is a perspective view of circular shaped key head and blade showing my new design;
FIG. 2 is a plan view of the top surface of the circular shaped key head and blade shown in FIG. 1.
FIG. 3 is a plan view of the bottom surface of the circular shaped key head and blade shown in FIG. 1.
FIG. 4 is a side view of the left side of the circular shaped key head and blade shown in FIG. 1; and,
FIG. 5 is a side view of the right side of the circular shaped key head and blade shown in FIG. 1.

1 Claim, 5 Drawing Sheets

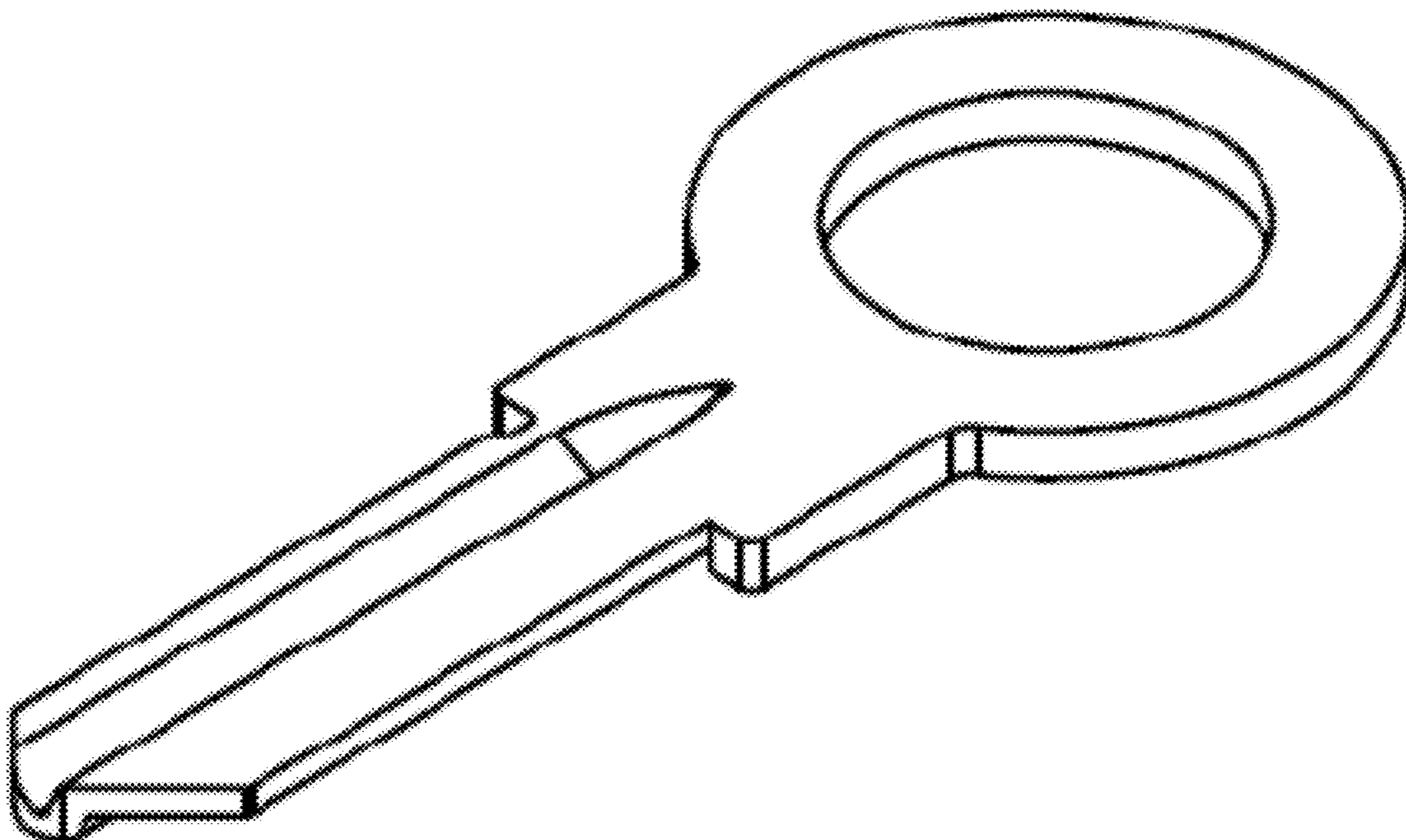


FIG. 1

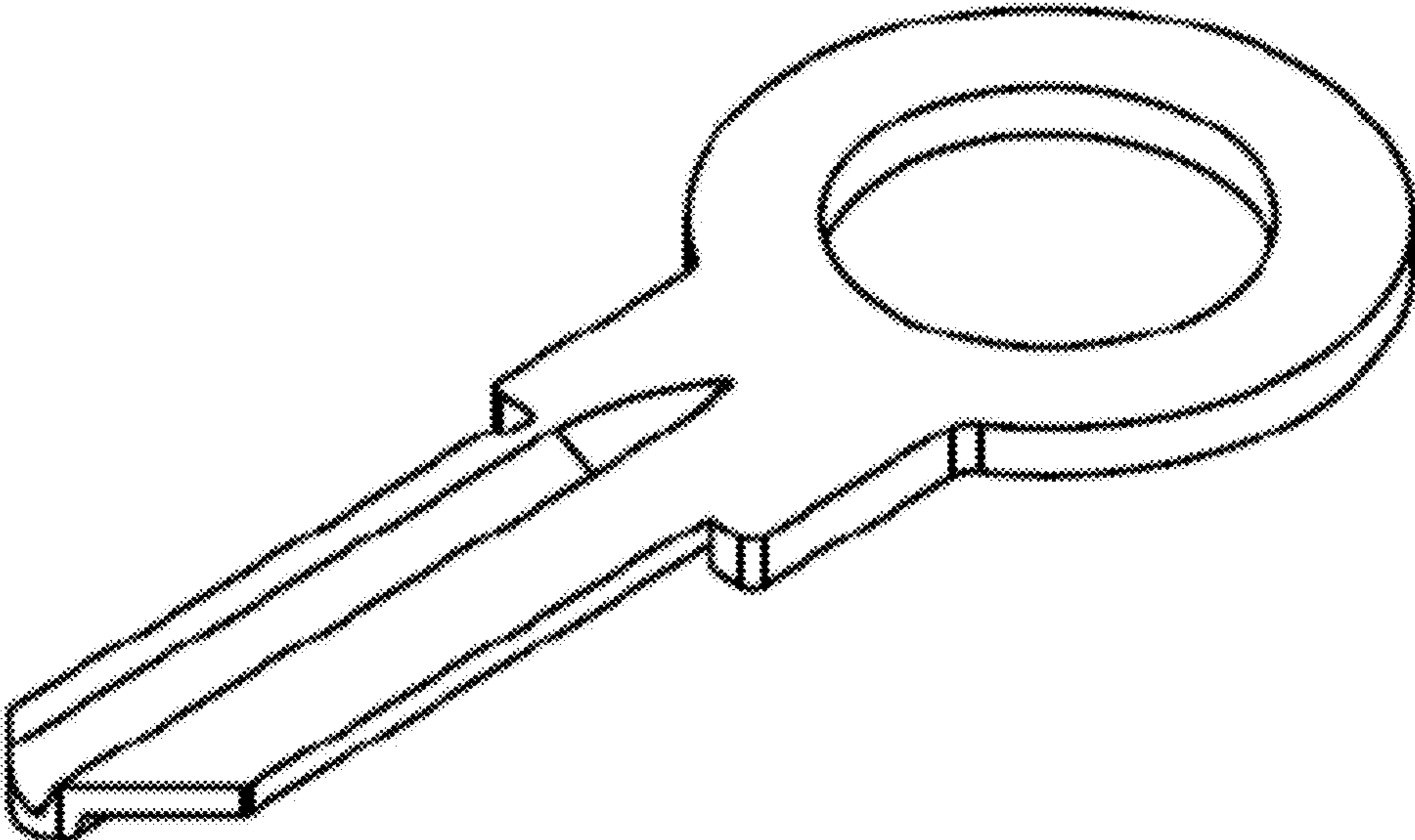


FIG. 2

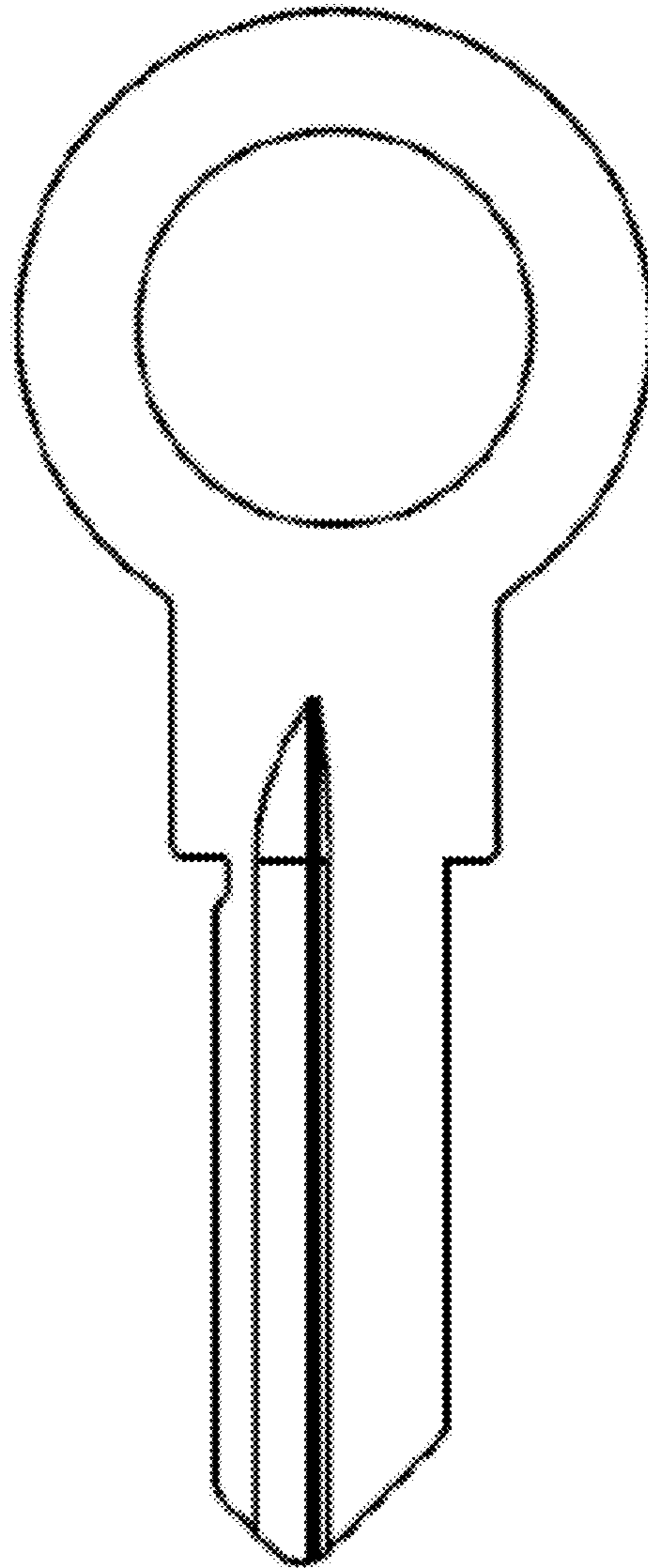


FIG. 3

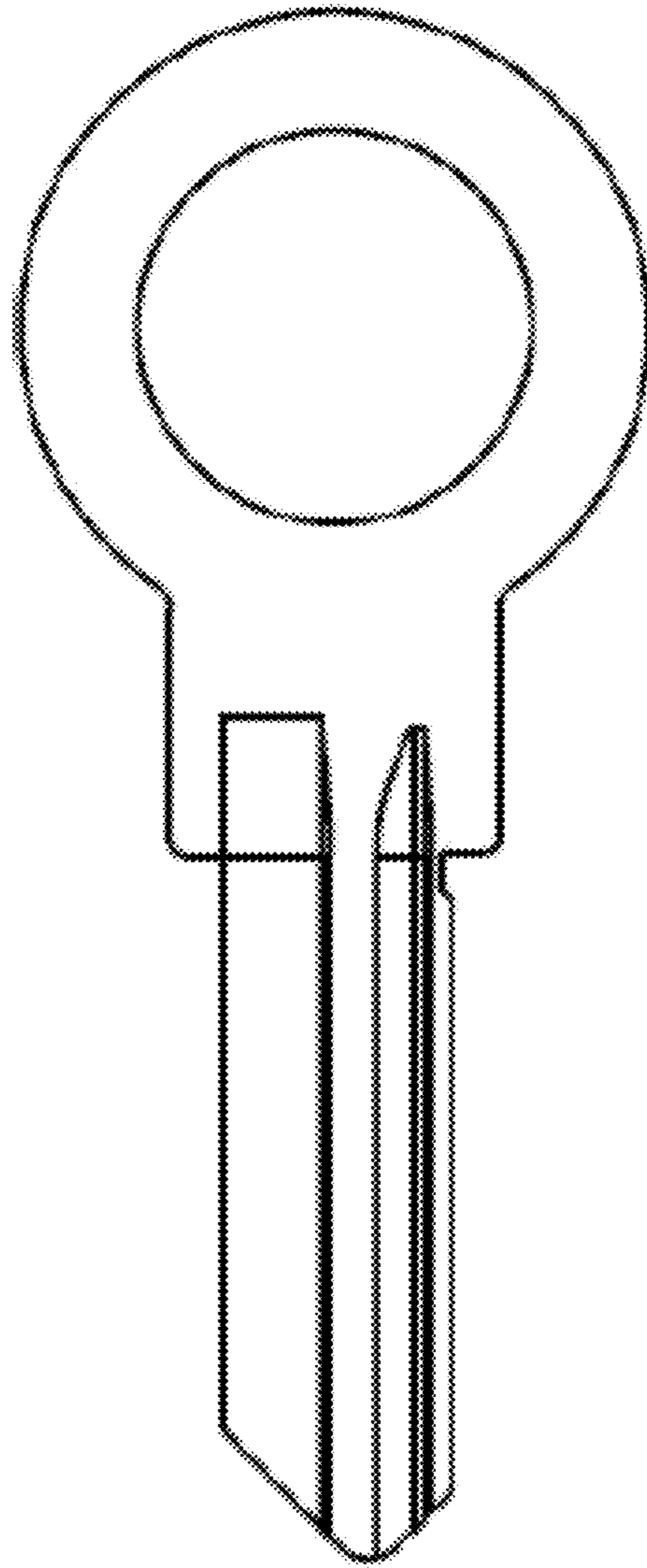


FIG. 4



FIG. 5

