



US00D793205S

(12) **United States Design Patent**
Ho et al.

(10) **Patent No.:** **US D793,205 S**

(45) **Date of Patent:** **** Aug. 1, 2017**

(54) **DOOR LOCK**

(71) Applicant: **Gate Labs Inc.**, San Francisco, CA (US)

(72) Inventors: **Harvey Ho**, San Francisco, CA (US);
Ehsan Saeedi, San Francisco, CA (US);
Danial Ehyaie, San Francisco, CA (US);
Bret Recor, San Francisco, CA (US);
Ahyoung Park, San Francisco, CA (US)

(73) Assignee: **Gate Labs Inc.**, San Francisco, CA (US)

(**) Term: **15 Years**

(21) Appl. No.: **29/575,122**

(22) Filed: **Aug. 22, 2016**

(51) **LOC (10) Cl.** **08-07**

(52) **U.S. Cl.**
USPC **D8/330; D8/343; D8/300**

(58) **Field of Classification Search**
USPC D8/330, 331, 333, 334, 339-341, 343,
D8/349, 300-302, 310; 70/14, 20, 51,
70/52, 54, 57, 58, 78, 91, 95, 141, 158,
70/224, 431, DIG. 43, DIG. 56;
292/347-357
CPC E05B 37/00; E05B 37/02; E05B 37/08;
E05B 69/00; E05B 67/003; E05B 67/06;
E05B 71/00

See application file for complete search history.

(56) **References Cited**

U.S. PATENT DOCUMENTS

4,588,221 A * 5/1986 Miller E05B 3/06
292/348
4,650,229 A * 3/1987 Bardfeld E05C 1/163
292/167

5,450,653 A * 9/1995 Howie, Jr. G05G 1/015
116/309
5,499,427 A * 3/1996 Bowman A47B 95/02
16/417
5,688,005 A * 11/1997 Ellis E05B 3/003
292/348
5,749,612 A * 5/1998 Meck E05B 1/0007
292/347
6,242,064 B1 * 6/2001 Howie, Jr. A44B 1/06
150/155
D444,695 S * 7/2001 Decosse D8/310
D525,517 S * 7/2006 Baldwin D8/310
D713,235 S * 9/2014 Lee D8/310
D722,259 S * 2/2015 Conner D8/300
D735,589 S * 8/2015 Grinberg D10/38

* cited by examiner

Primary Examiner — Prabhakar G Deshmukh

(74) *Attorney, Agent, or Firm* — Levine Bagade Han LLP

(57) **CLAIM**

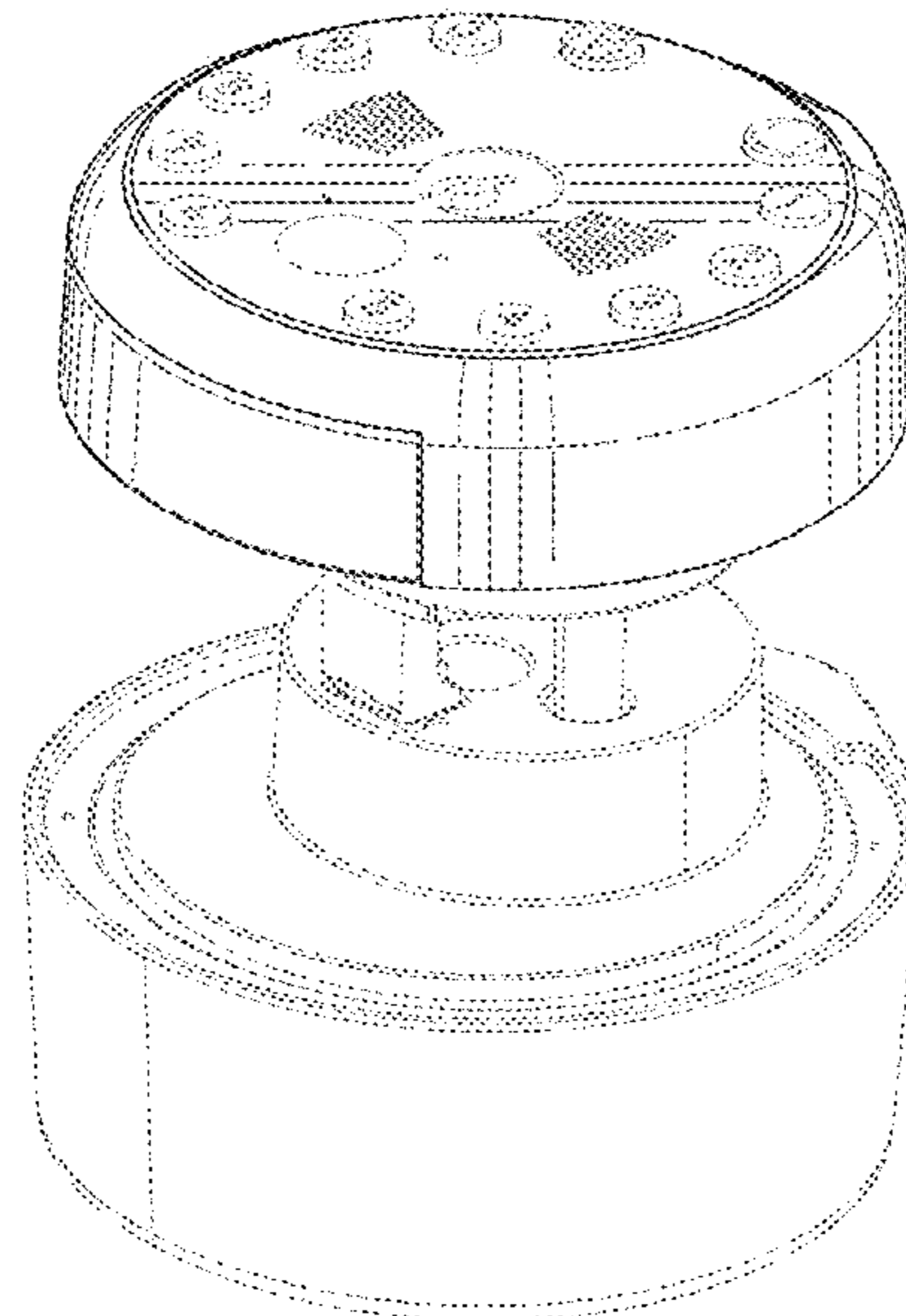
The ornamental design for a door lock, as shown and described.

DESCRIPTION

FIG. 1 is a front bottom perspective view of a door lock;
FIG. 2 is a rear top perspective view thereof;
FIG. 3 is a bottom view thereof;
FIG. 4 is a top view thereof;
FIG. 5 is a left side elevation view thereof;
FIG. 6 is a right elevation view thereof;
FIG. 7 is a front view thereof; and,
FIG. 8 is a rear view thereof.

All features illustrated in phantom line are expressly disclaimed and form no part of the claimed design.

1 Claim, 8 Drawing Sheets



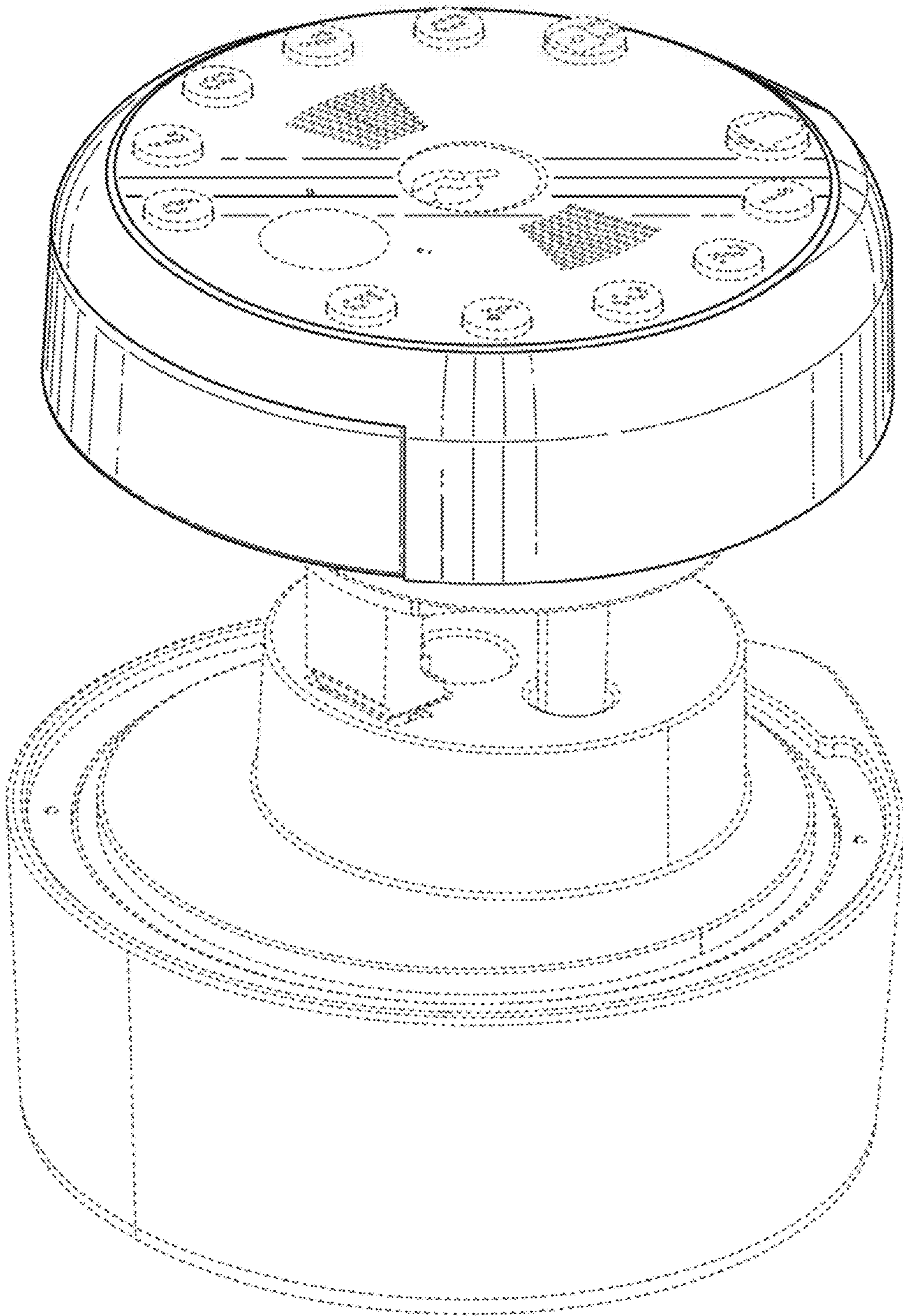


FIG. 1

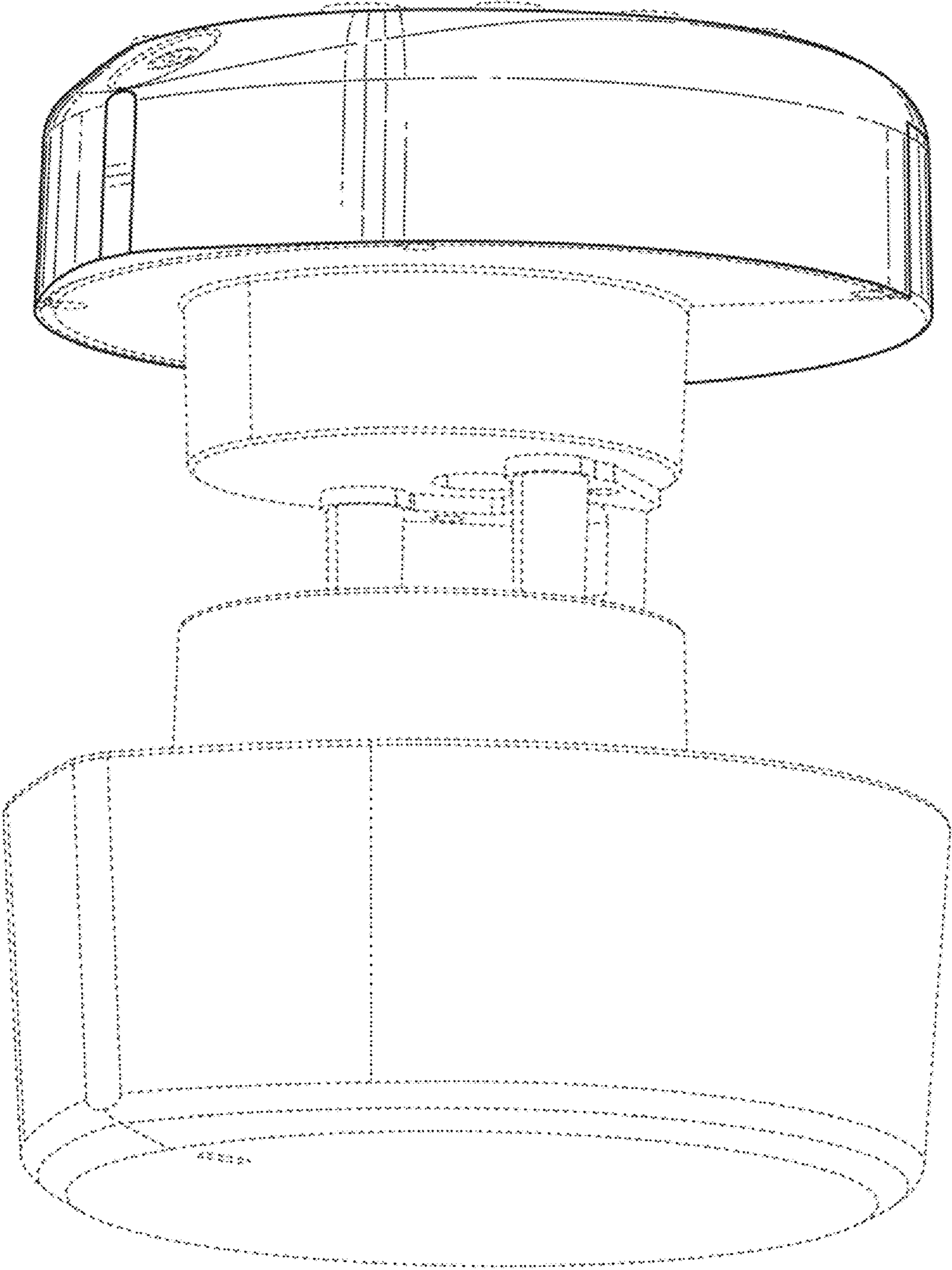


FIG. 2

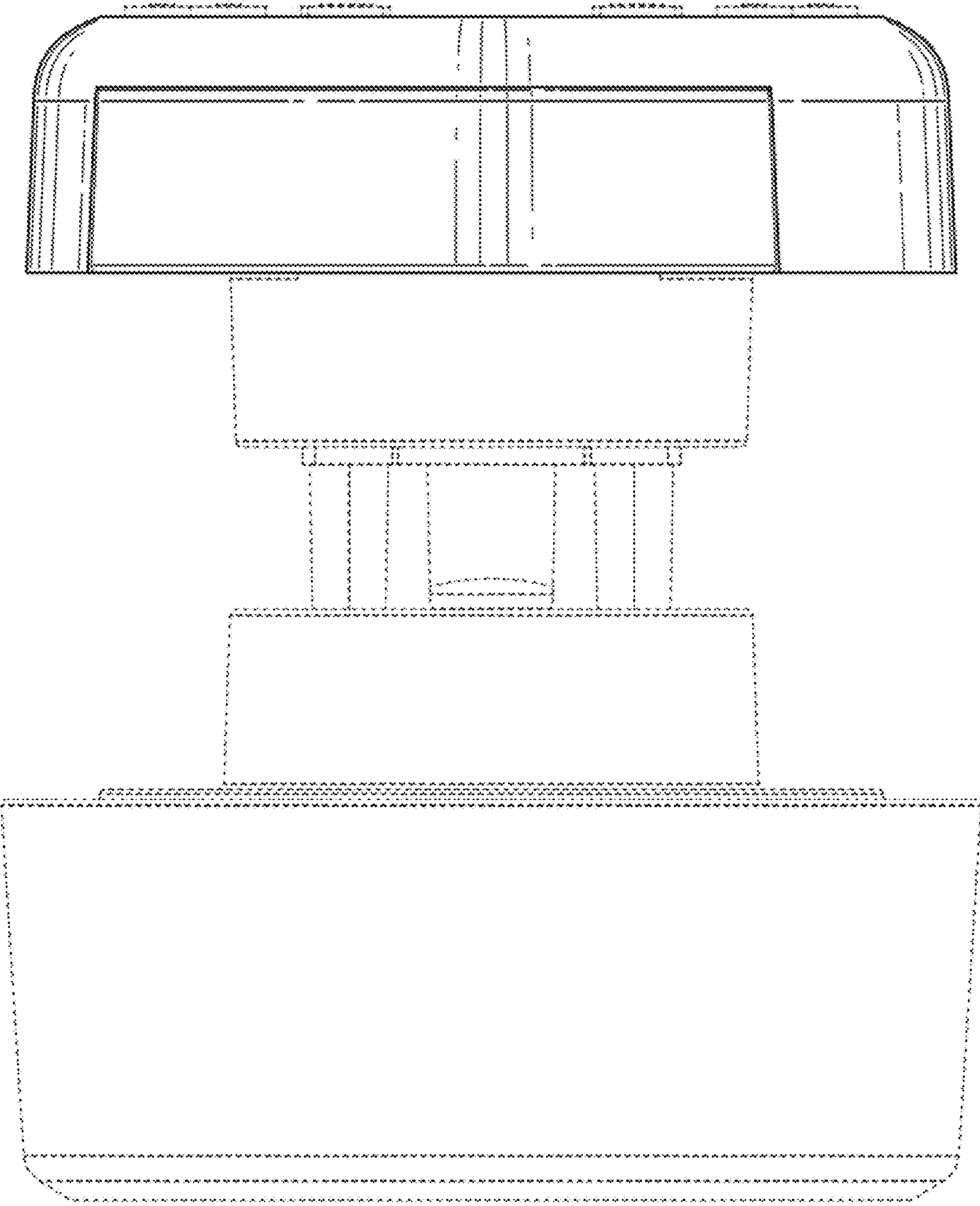


FIG. 3

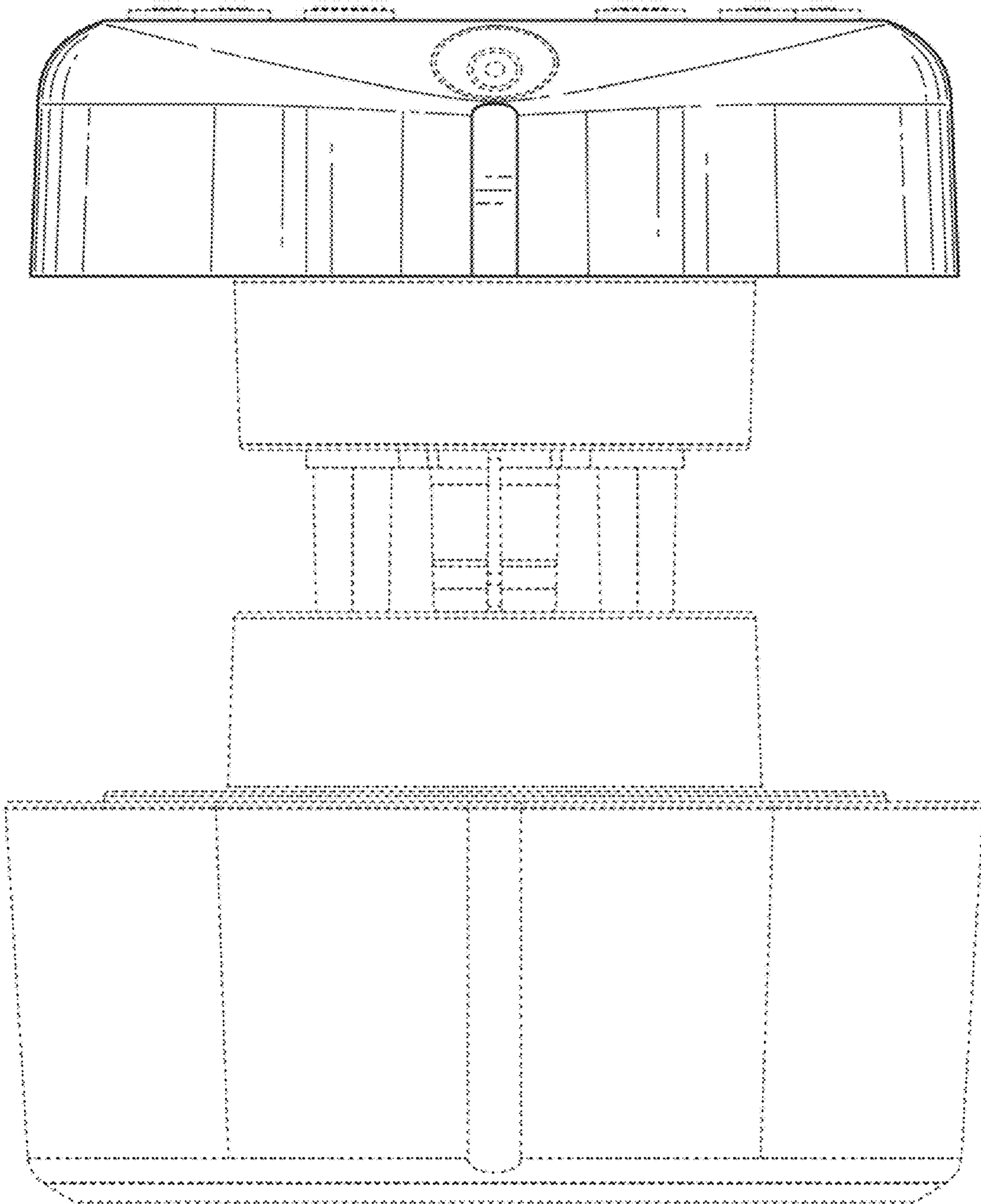


FIG. 4

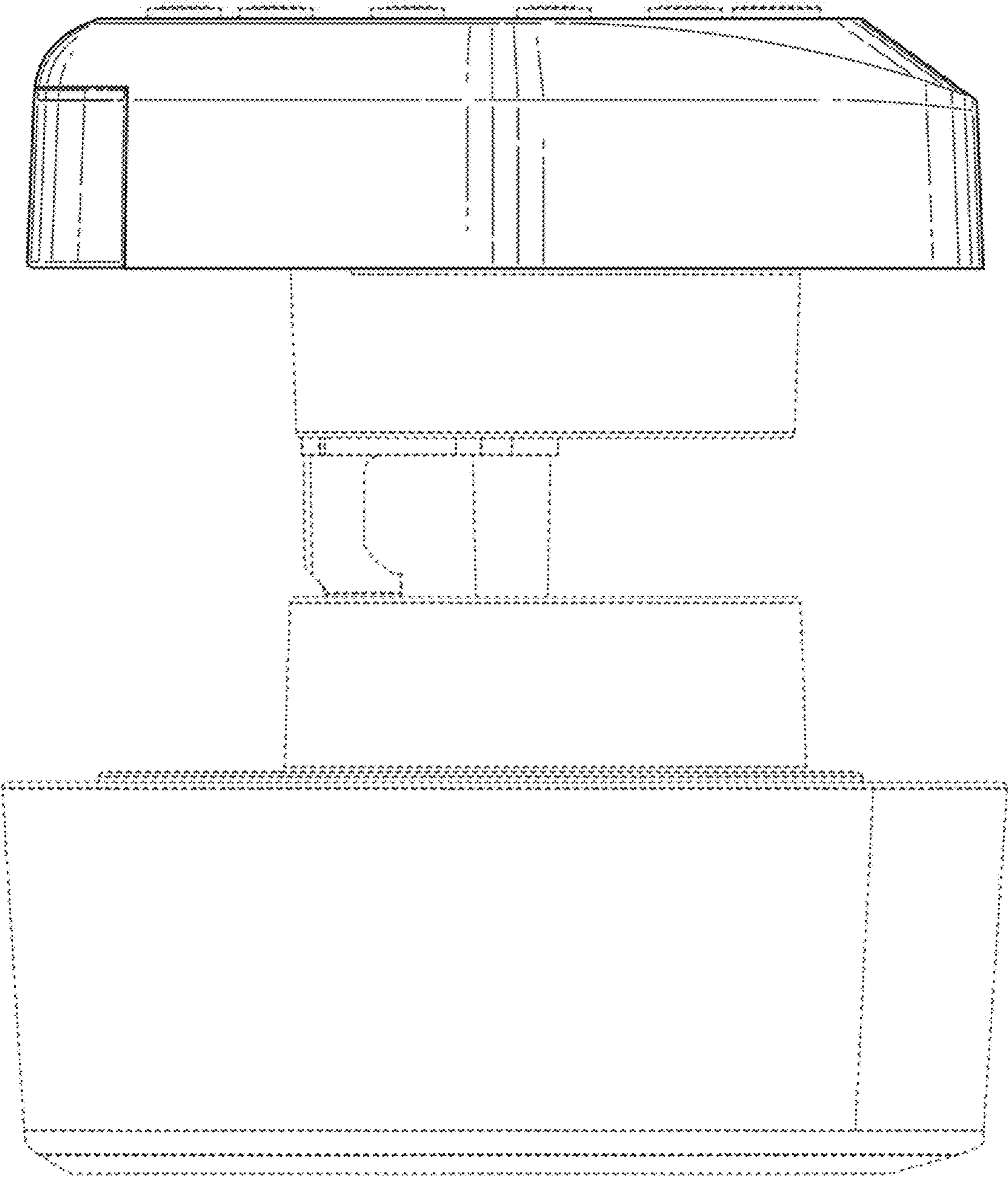


FIG. 5

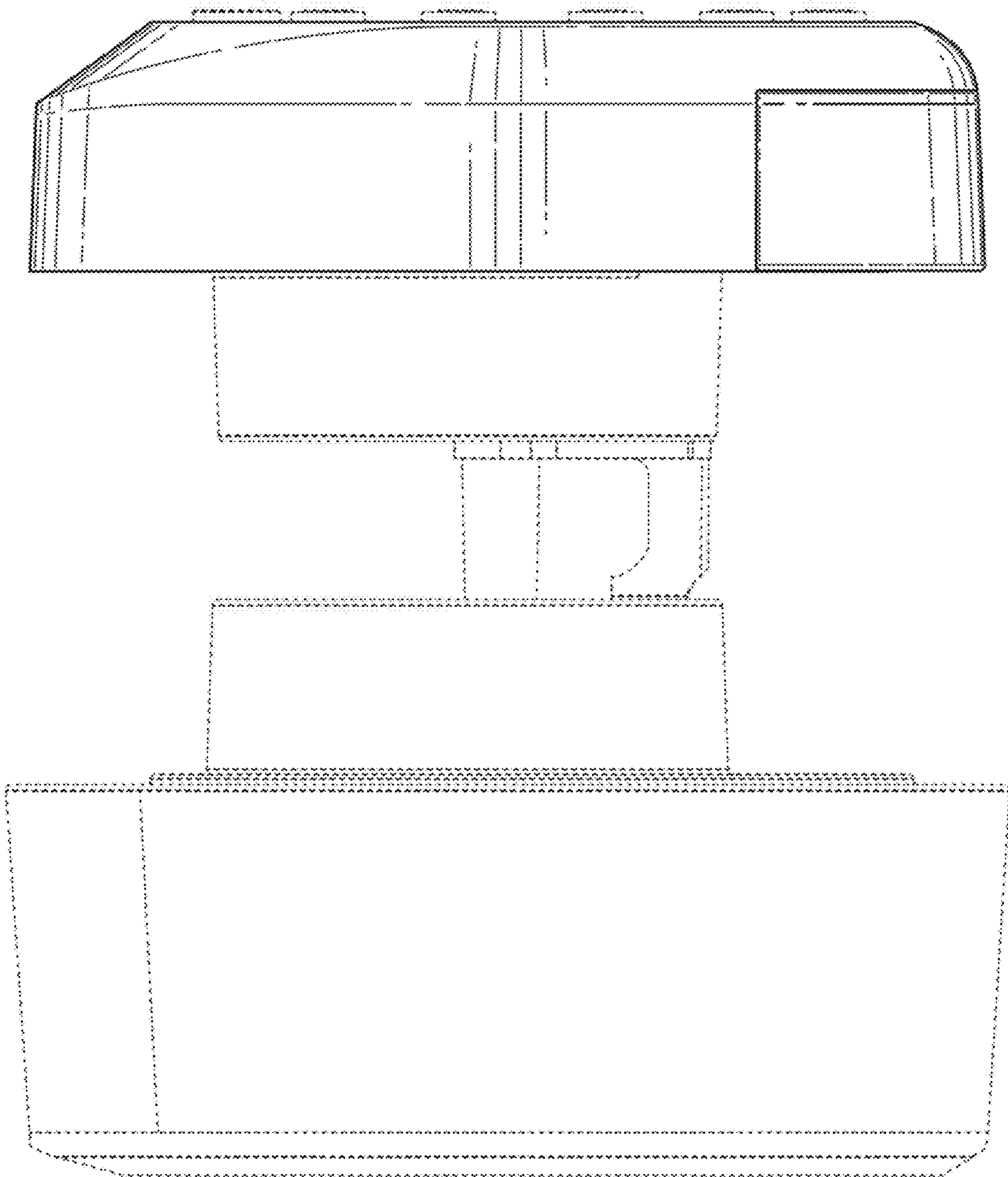


FIG. 6

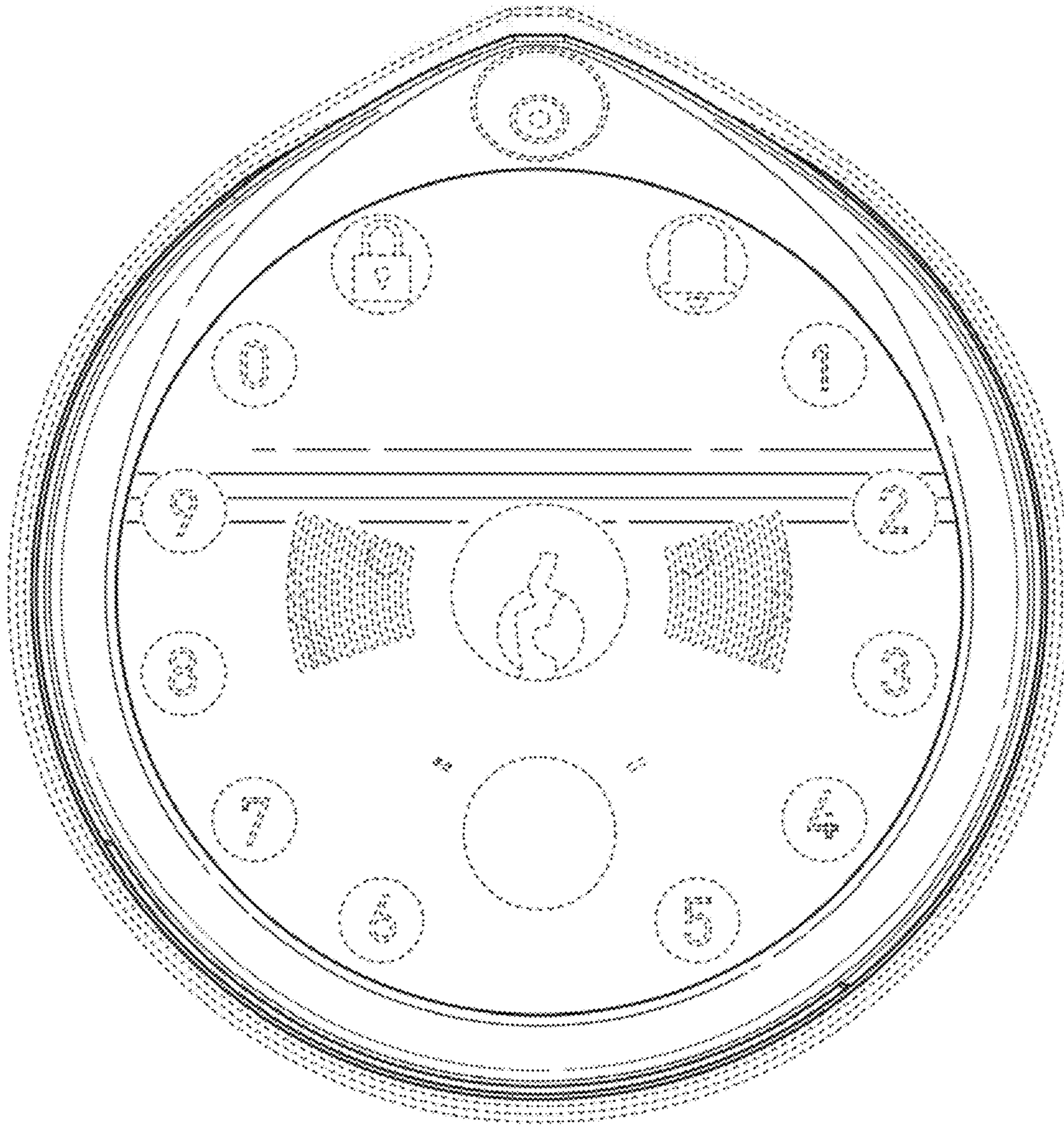


FIG. 7

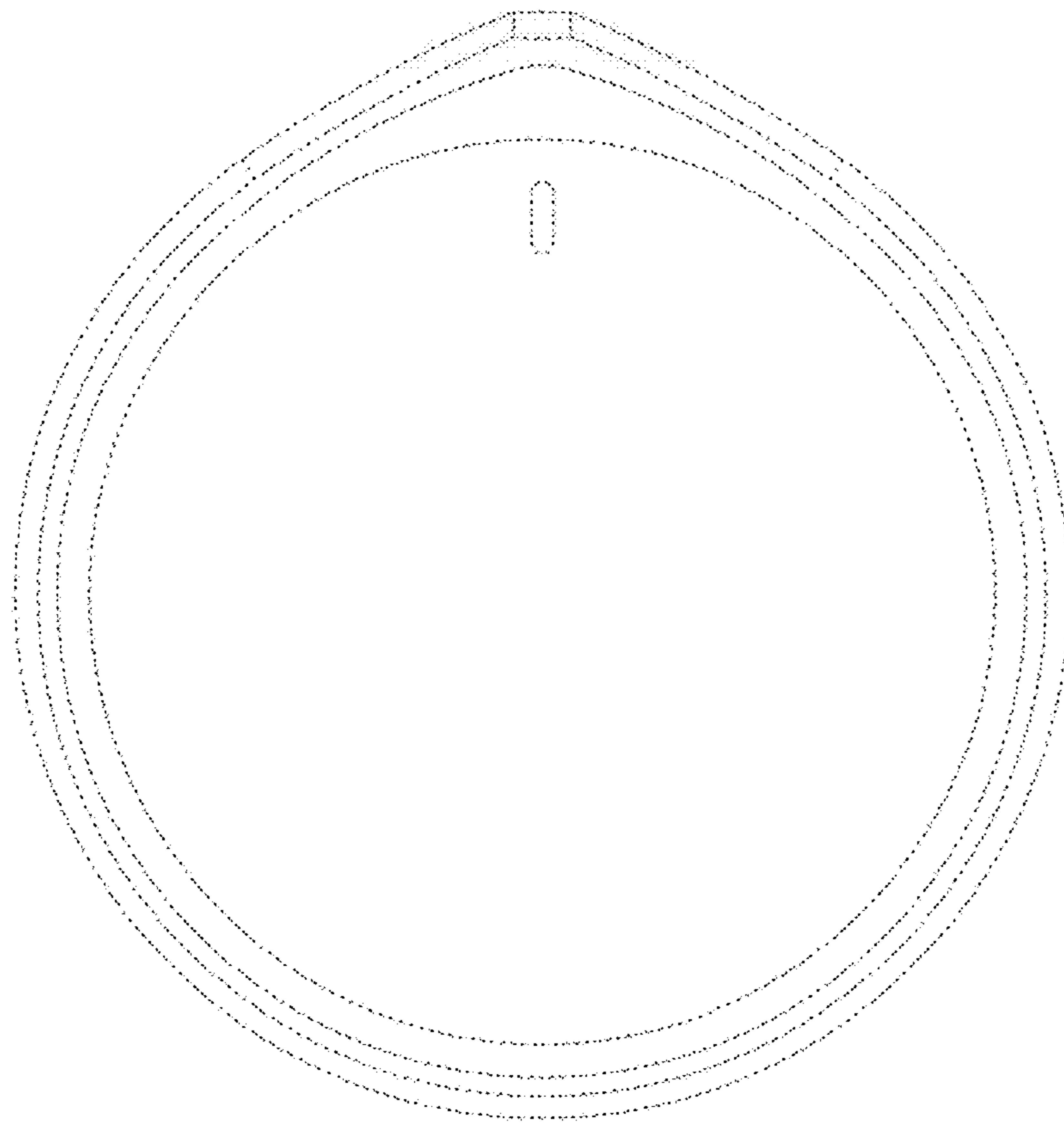


FIG. 8