



US00D793204S

(12) **United States Design Patent** (10) **Patent No.:** **US D793,204 S**  
**Darmali** (45) **Date of Patent:** **\*\* Aug. 1, 2017**

- (54) **DOOR HANDLE ATTACHMENT**
- (71) Applicant: **Julius Darmali**, Arcadia, CA (US)
- (72) Inventor: **Julius Darmali**, Arcadia, CA (US)
- (\*\*) Term: **15 Years**
- (21) Appl. No.: **29/563,990**
- (22) Filed: **May 10, 2016**
- (51) **LOC (10) Cl.** ..... **08-06**
- (52) **U.S. Cl.**  
USPC ..... **D8/321**
- (58) **Field of Classification Search**  
USPC ..... D8/315-322, 303; 292/351, 348  
CPC ..... E05B 5/00; E05B 7/00  
See application file for complete search history.

- D493,687 S \* 8/2004 Ayrest ..... D8/314
- D596,477 S \* 7/2009 Jones ..... D8/301
- D596,478 S \* 7/2009 Jones ..... D8/301
- 8,448,298 B2 \* 5/2013 Rothschild ..... E05B 1/0007  
16/413
- 2009/0025183 A1 \* 1/2009 Cui ..... E05B 7/00  
16/412

\* cited by examiner

*Primary Examiner* — Lakiya Rogers  
*Assistant Examiner* — Harold E Blackwell, II  
(74) *Attorney, Agent, or Firm* — Garbis Law, LLC

(57) **CLAIM**

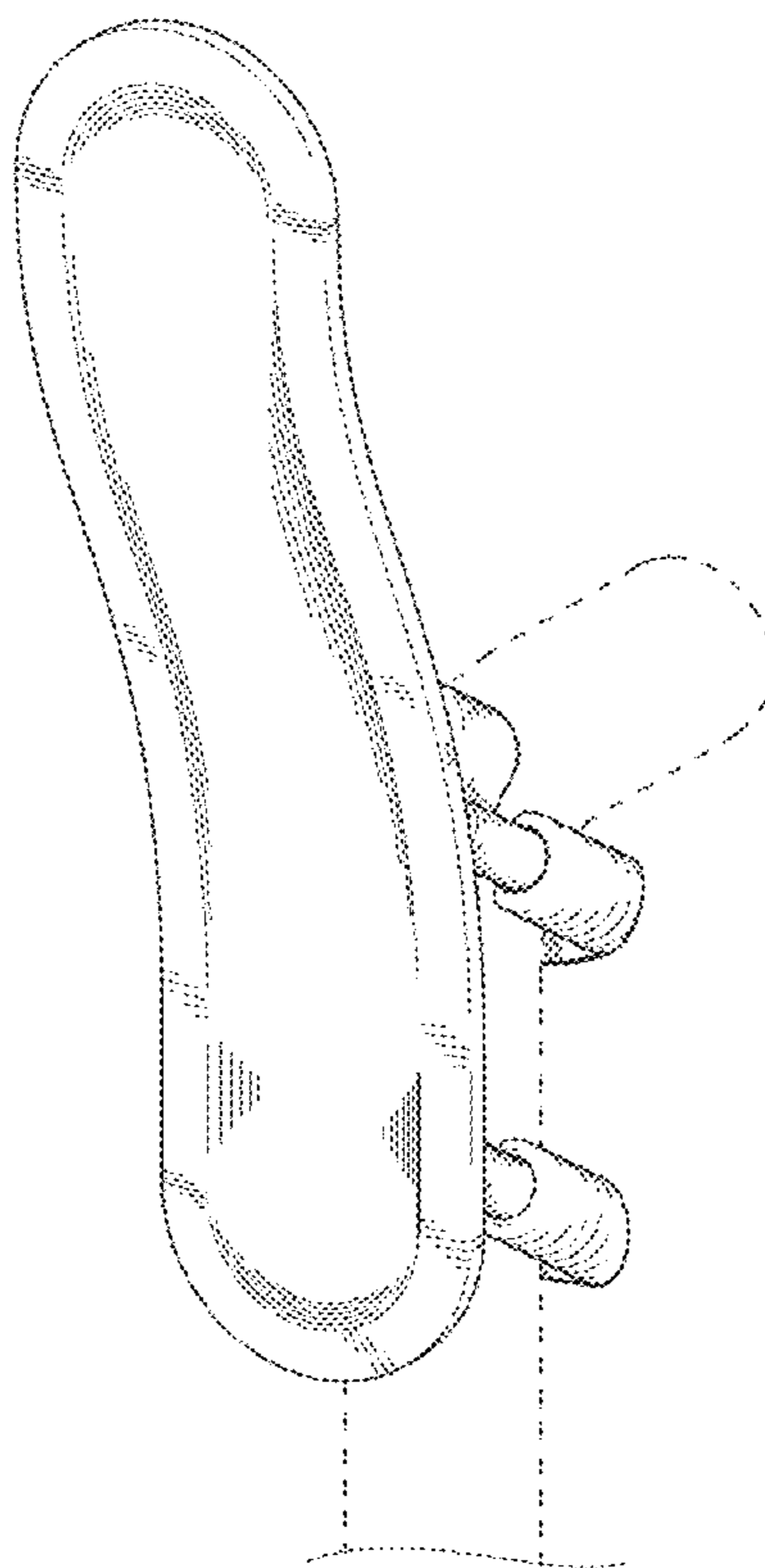
The ornamental design for a door handle attachment, as shown and described.

**DESCRIPTION**

FIG. 1 is a front top perspective view of a door handle attachment showing my new design; FIG. 2 is a left side view thereof; FIG. 3 is a front view thereof; FIG. 4 is a right side view thereof; FIG. 5 is a back view thereof; FIG. 6 is a top view thereof; and, FIG. 7 is a bottom view thereof. Those portions of the figures that are presented in broken lines merely illustrate the environment of the design and are not part of the claimed design.

**1 Claim, 6 Drawing Sheets**

- (56) **References Cited**  
U.S. PATENT DOCUMENTS
- 4,006,927 A \* 2/1977 Recupero ..... E05B 1/0053  
292/336.3
- 4,913,479 A \* 4/1990 Allison ..... E05B 1/0053  
292/347
- 5,375,295 A \* 12/1994 Woodward ..... E05B 1/0053  
16/412
- 5,664,287 A \* 9/1997 Sendelbach ..... E05B 1/0053  
16/412
- 5,725,264 A \* 3/1998 Villarreal ..... E05B 1/0053  
292/347



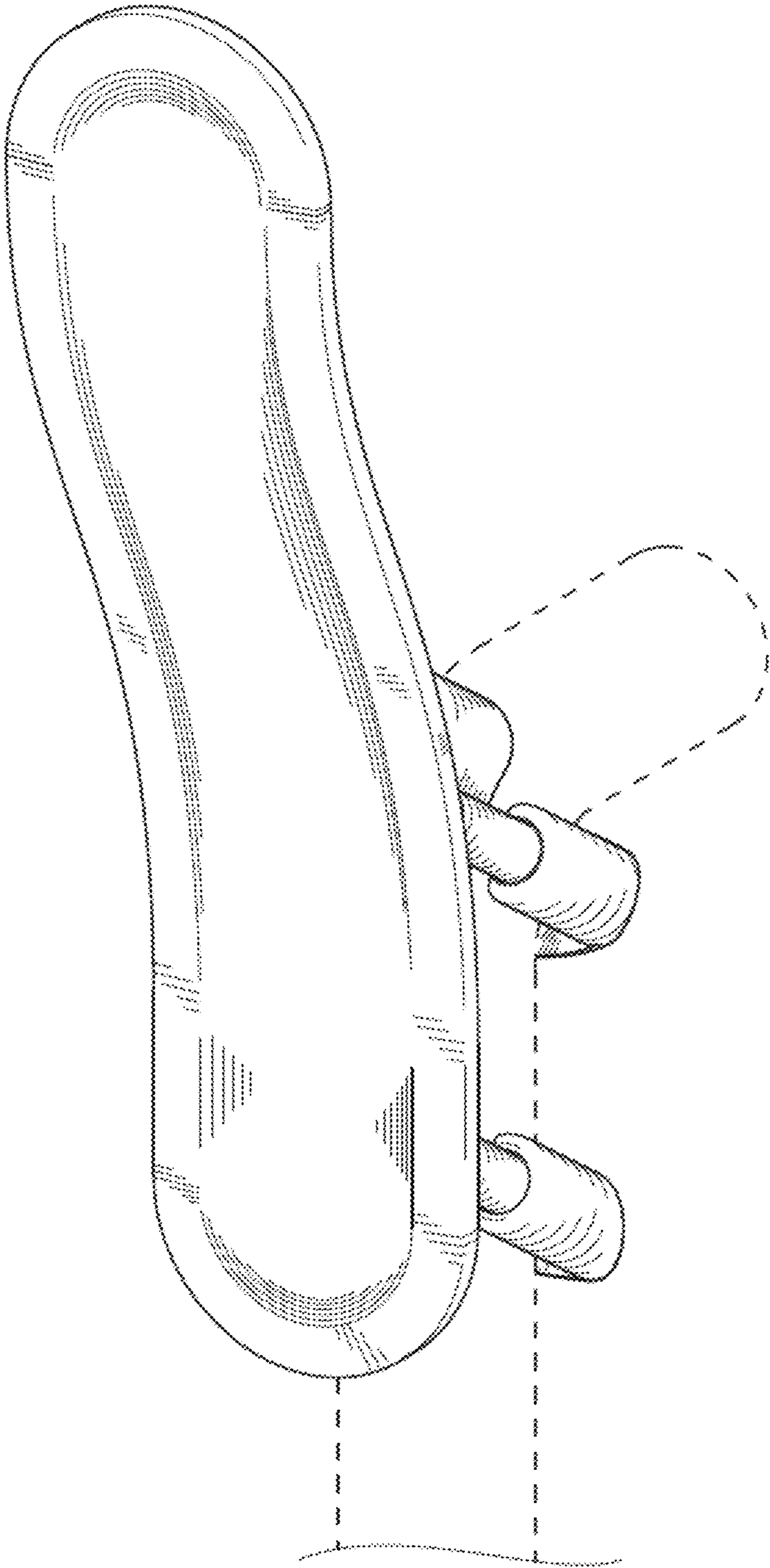


FIG. 1

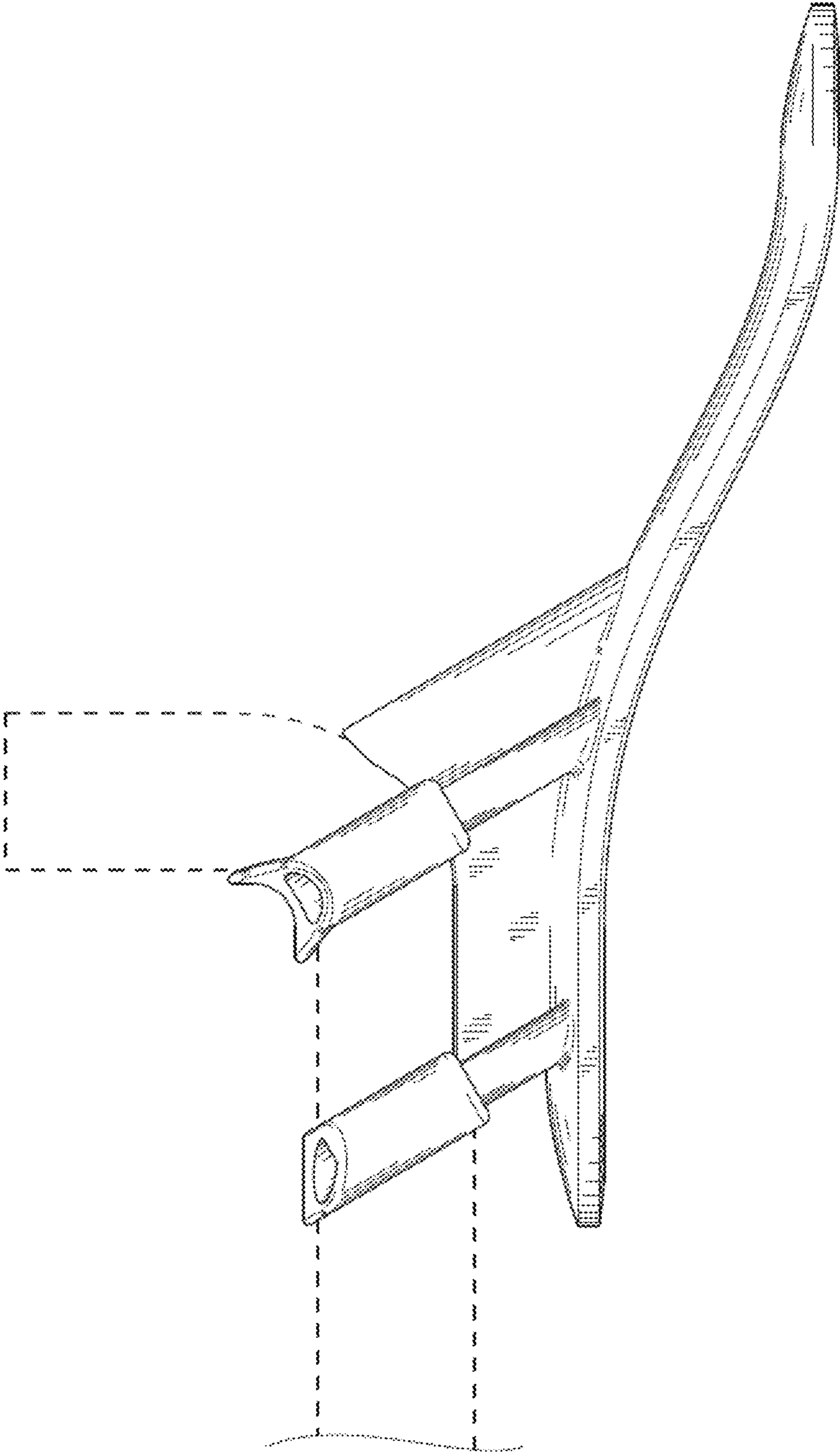


FIG. 2

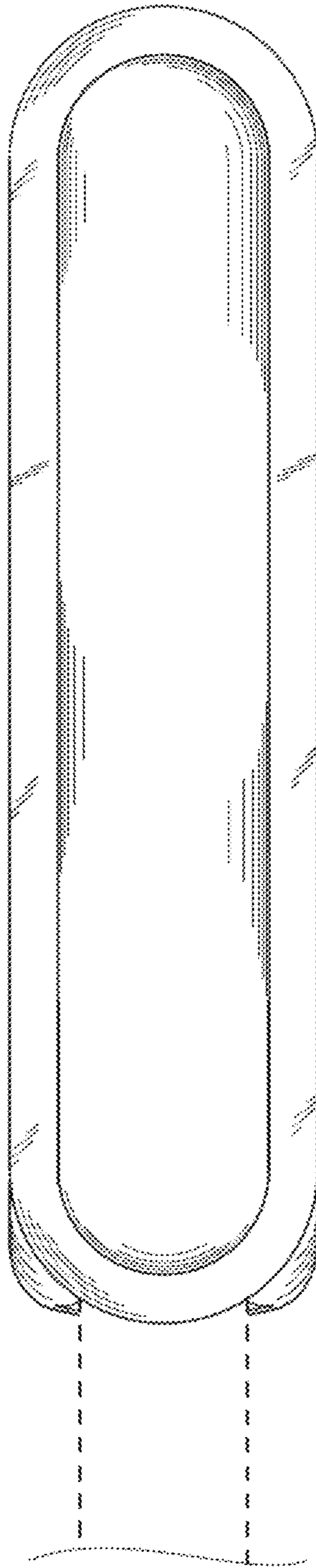


FIG. 3

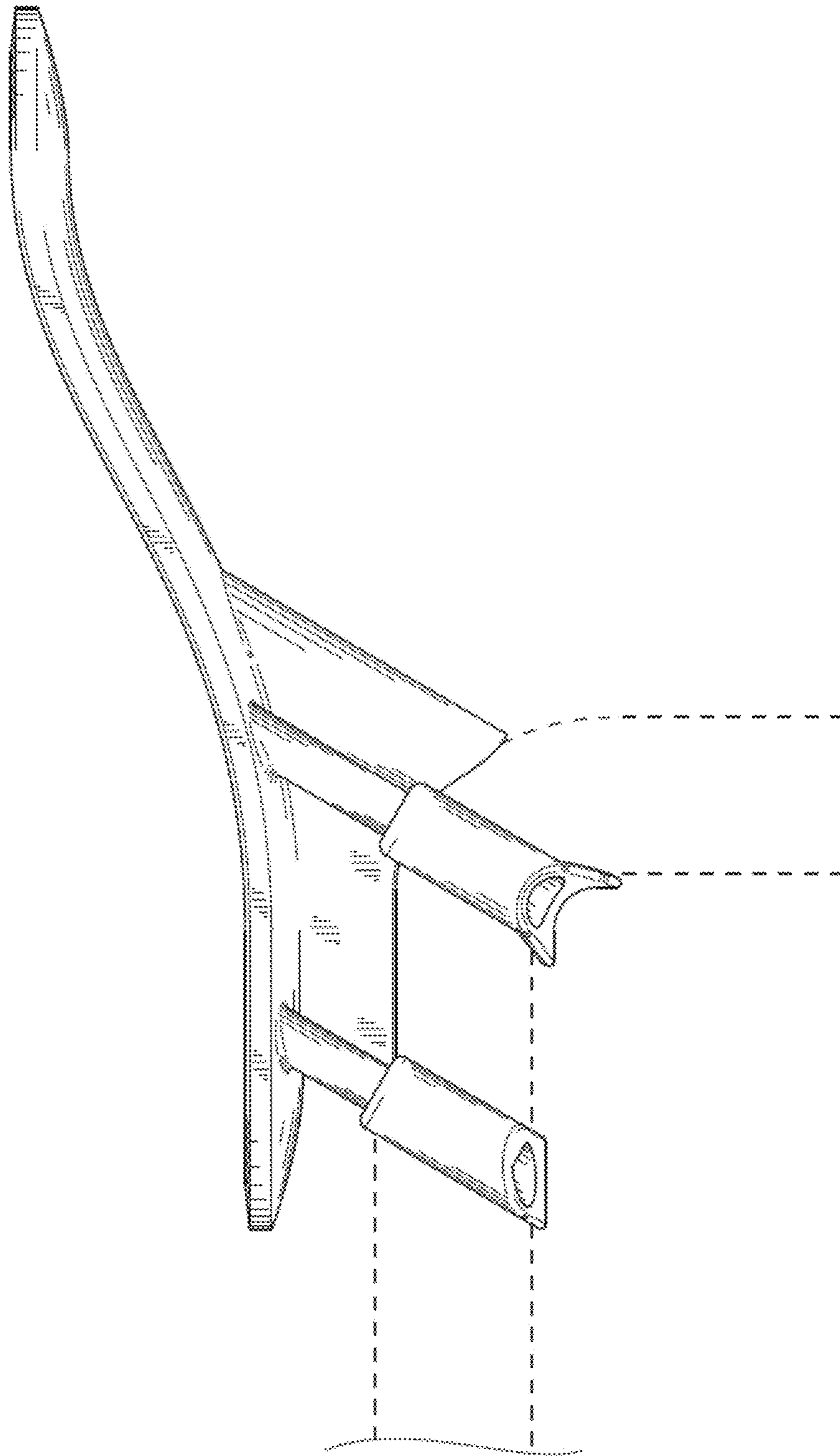


FIG. 4

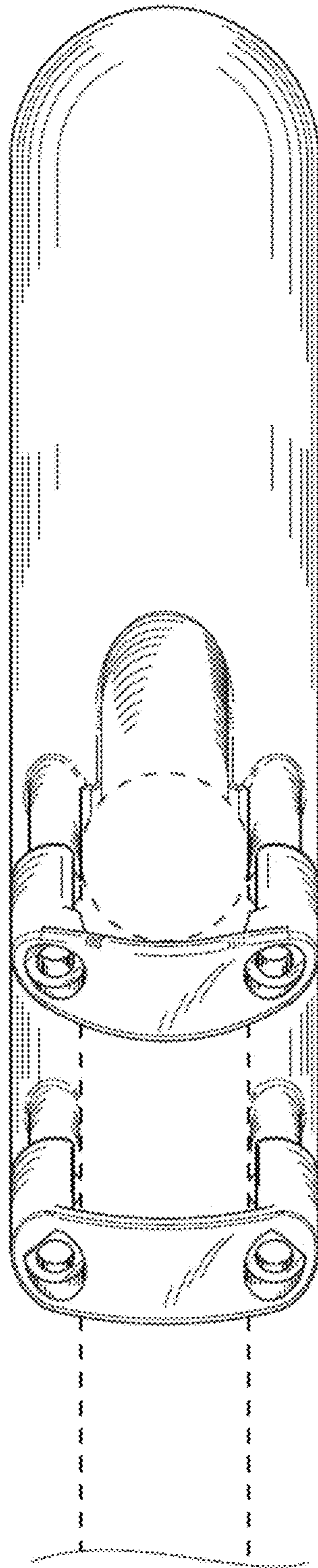


FIG. 5

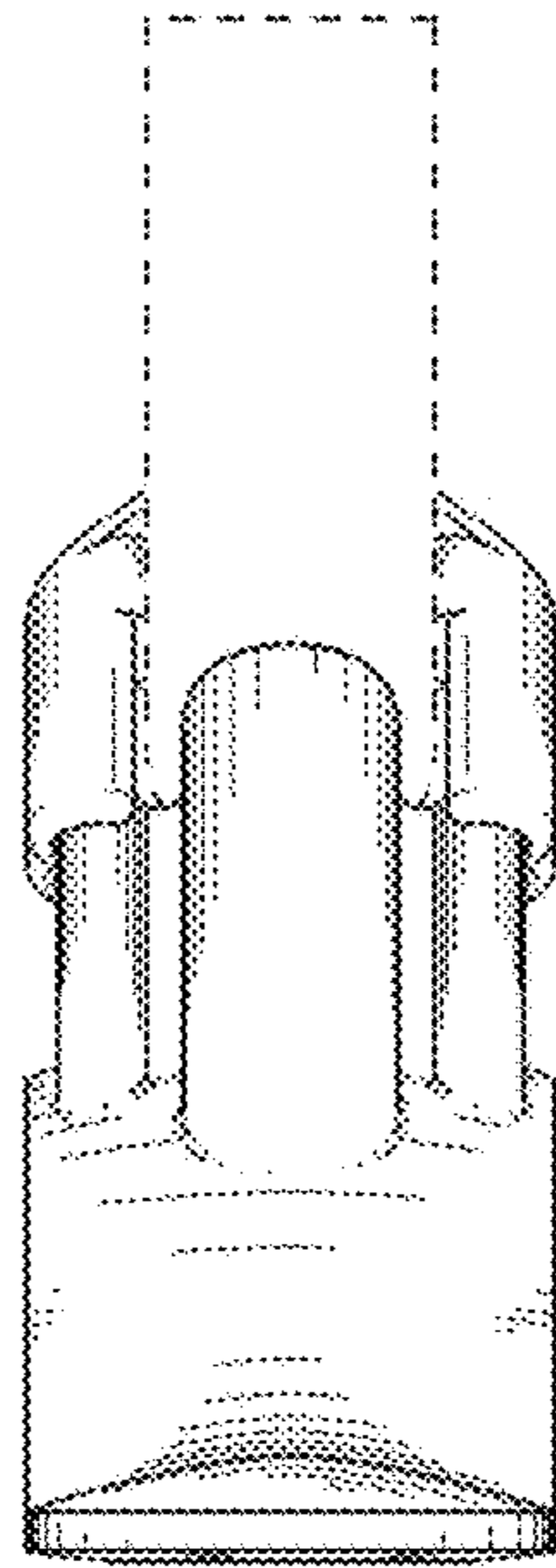


FIG. 6

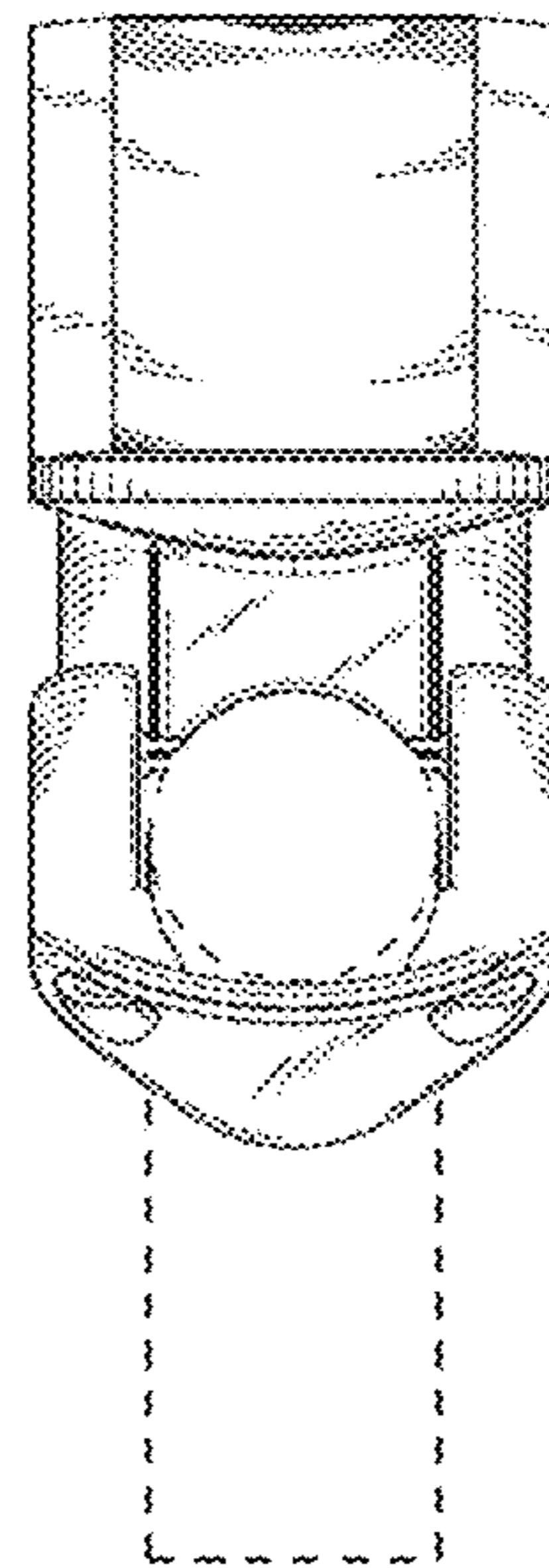


FIG. 7