

US00D793203S

(12) **United States Design Patent** (10) **Patent No.:** **US D793,203 S**
Eads (45) **Date of Patent:** **** Aug. 1, 2017**

(54) **PULL**

(71) Applicant: **DELTA FAUCET COMPANY,**
Indianapolis, IN (US)

(72) Inventor: **Thad Eads,** North Manchester, IN (US)

(73) Assignee: **DELTA FAUCET COMPANY,**
Indianapolis, IN (US)

(**) Term: **15 Years**

(21) Appl. No.: **29/551,229**

(22) Filed: **Jan. 12, 2016**

(51) **LOC (10) Cl.** **08-06**

(52) **U.S. Cl.**
USPC **D8/320**

(58) **Field of Classification Search**
USPC D8/300, 316-320; 292/336.3, 347;
16/101.1, 110 R, 111 R, 412, 414-420,
16/441, 443-446

CPC A47G 19/2272
See application file for complete search history.

(56) **References Cited**

U.S. PATENT DOCUMENTS

D169,414 S *	4/1953	Budai	D8/319
D187,130 S *	2/1960	Westman	D8/319
D192,348 S *	3/1962	Anderson	D8/319
D195,619 S *	7/1963	Morgan	D8/317
D218,619 S *	9/1970	Young	D6/533

D422,879 S *	4/2000	Lu	D8/319
D569,704 S *	5/2008	Ricereto	D8/315
D570,646 S *	6/2008	Jeon	D7/402
D571,184 S *	6/2008	Ricereto	D8/316
D573,868 S *	7/2008	Ricereto	D8/315
D579,310 S *	10/2008	Suh	D15/89
D597,396 S *	8/2009	Menzies	D8/315
D606,839 S *	12/2009	Urquiola	D8/316
D668,927 S *	10/2012	Matei	D8/302
D719,008 S *	12/2014	Han	D8/315
D727,712 S *	4/2015	Pallante	D8/316
D741,683 S *	10/2015	Park	D8/319

* cited by examiner

Primary Examiner — Caron D Veynar

Assistant Examiner — Maria Edwards

(74) *Attorney, Agent, or Firm* — Edgar A. Zarins; Nirav D. Parikh

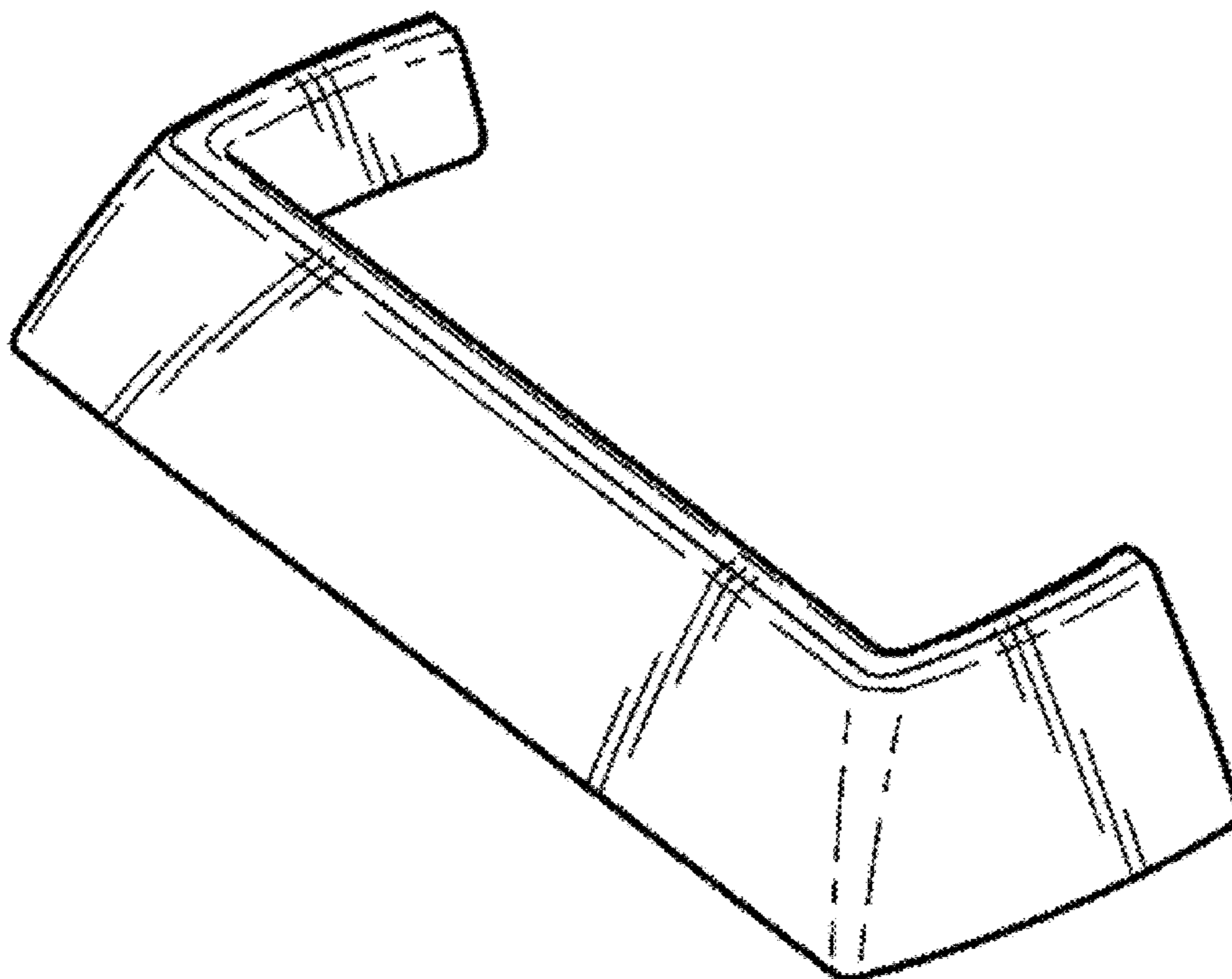
(57) **CLAIM**

The ornamental design for a pull, as shown and described.

DESCRIPTION

FIG. 1 is a perspective view of a pull showing my new design;
FIG. 2 is a top plan view thereof;
FIG. 3 is a front elevational view thereof;
FIG. 4 is a right end elevational view thereof, the left end being a mirror image of the right end; and,
FIG. 5 is a rear elevational view thereof.

1 Claim, 1 Drawing Sheet



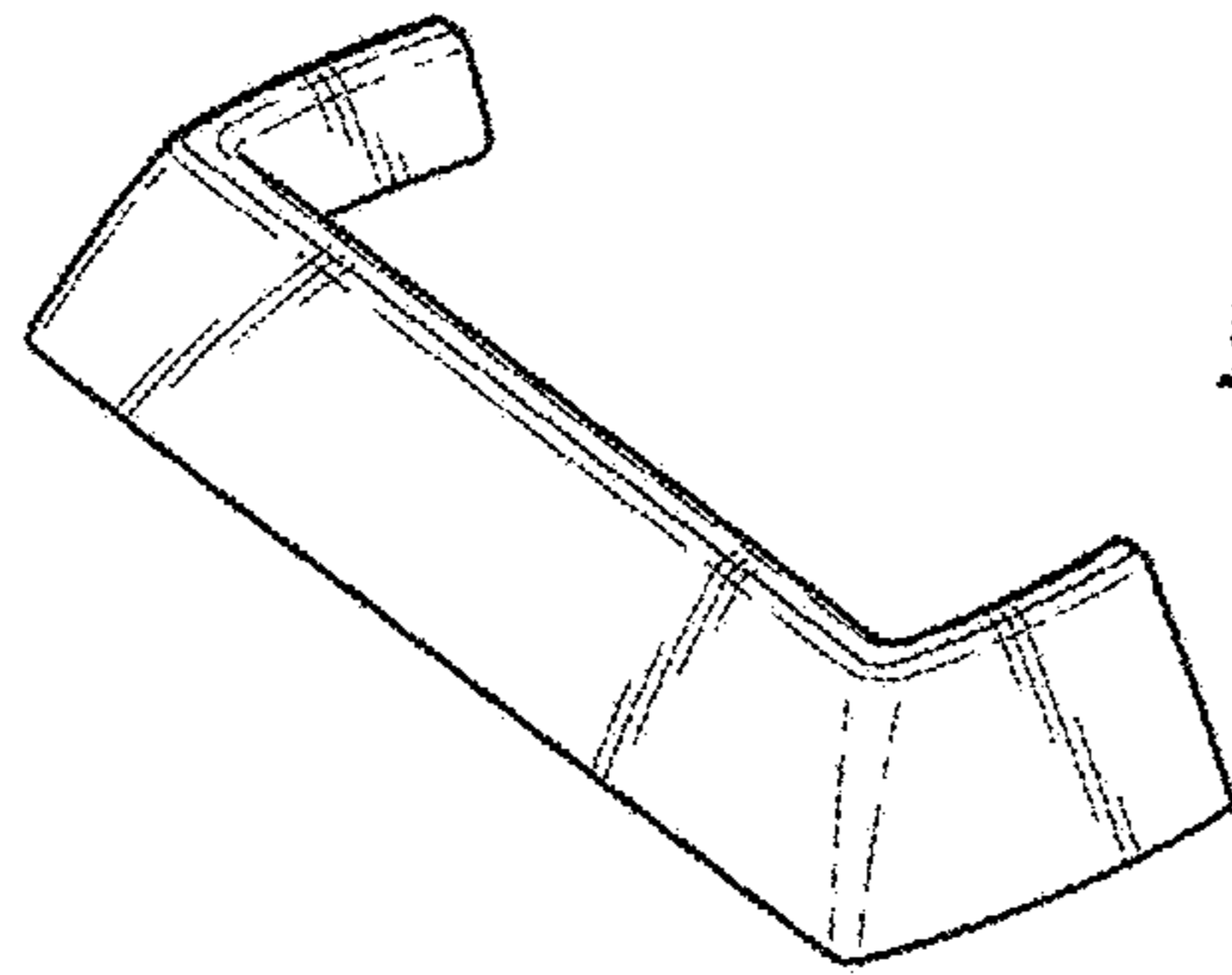


Fig-1

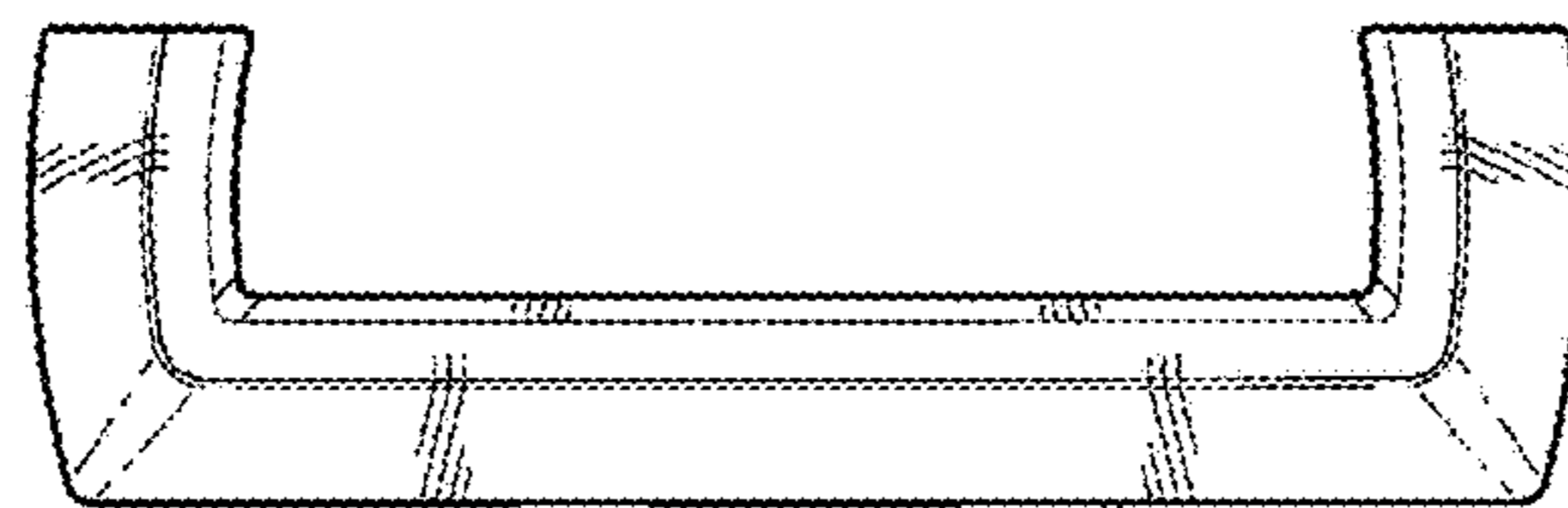


Fig-2



Fig-3

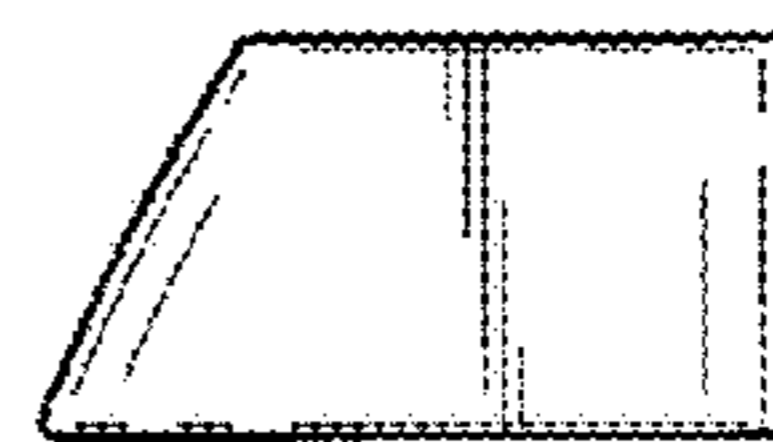


Fig-4

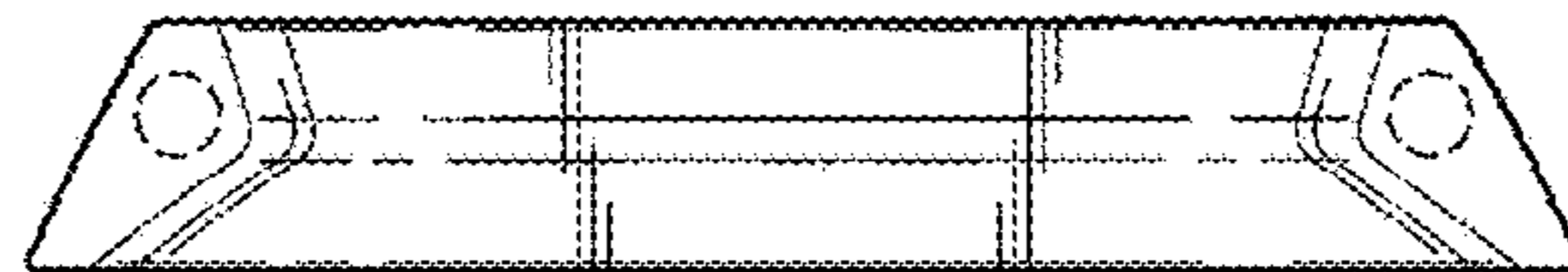


Fig-5