



US00D793200S

(12) **United States Design Patent** (10) **Patent No.:** **US D793,200 S**
Zyman Beer et al. (45) **Date of Patent:** **** Aug. 1, 2017**

(54) **HANDLE WITH INTEGRATED TACTILE SCALE**

FOREIGN PATENT DOCUMENTS

(71) Applicants: **Jacobo Zyman Beer**, Huixquilucan (MX); **Alex Zyman**, San Diego, CA (US)

CN 101692944 A 4/2010
GB 2502916 A 12/2013
(Continued)

(72) Inventors: **Jacobo Zyman Beer**, Huixquilucan (MX); **Alex Zyman**, San Diego, CA (US)

OTHER PUBLICATIONS

International Search Report (PCT 2012/060922), Dated Mar. 19, 2013, 10 pages.

(**) Term: **14 Years**

(Continued)

(21) Appl. No.: **29/519,593**

Primary Examiner — Lakiya Rogers
Assistant Examiner — Harold Blackwell, II
(74) *Attorney, Agent, or Firm* — ARC IP Law, PC;
Joseph J. Mayo

(22) Filed: **Mar. 6, 2015**

(51) **LOC (10) Cl.** **08-06**

(52) **U.S. Cl.**
USPC **D8/315**

(57) **CLAIM**

(58) **Field of Classification Search**
USPC D8/315, 316, 300, 336, 343, 344;
177/131, 148; 1/1
CPC G01G 19/58; G01G 23/20; A45C 13/28
See application file for complete search history.

We claim the ornamental design for a handle with integrated tactile scale, as shown and described.

DESCRIPTION

(56) **References Cited**

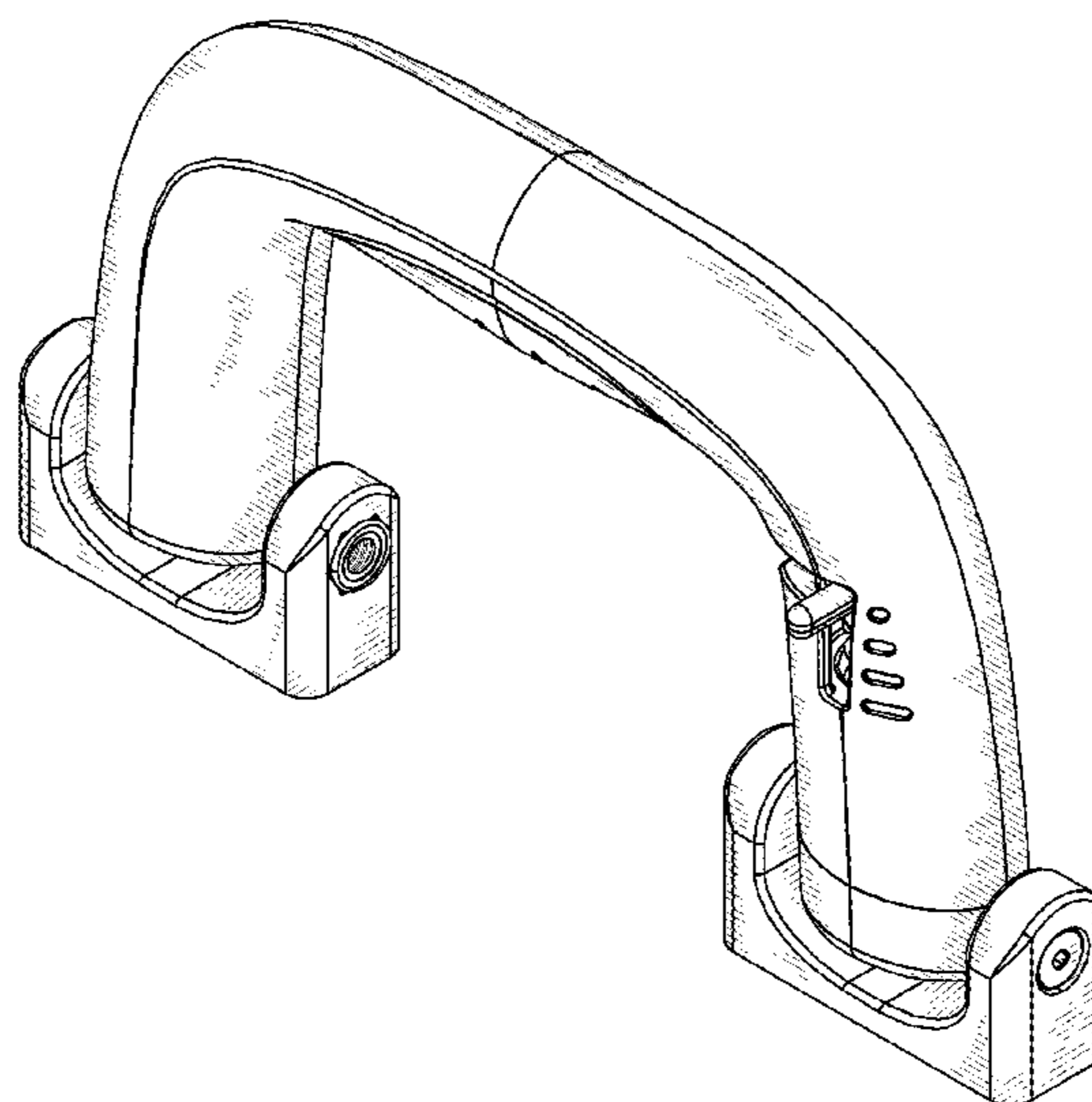
U.S. PATENT DOCUMENTS

2,710,083 A	6/1955	White	
2,759,577 A *	8/1956	White	G01G 19/58 177/148
3,090,454 A	5/1963	Farrar	
3,648,674 A	3/1972	Proctor	
4,969,644 A	11/1990	Hlaing	
D314,150 S *	1/1991	Preciutti	294/137
5,319,162 A	6/1994	Ness	
5,416,279 A	5/1995	Tseng	
5,996,180 A	12/1999	Eisenzopf	
D530,592 S *	10/2006	Poon	D8/306
7,156,918 B2	1/2007	Marks	
7,281,615 B2	10/2007	Siwak et al.	
7,282,653 B2	10/2007	Marks	

FIG. 1 is a front upper perspective view of a handle with integrated tactile scale.
FIG. 2 is a front lower perspective view of the handle with integrated tactile scale of FIG. 1.
FIG. 3 is a front view of the handle with integrated tactile scale of FIG. 1.
FIG. 4 is a rear view of the handle with integrated tactile scale of FIG. 1.
FIG. 5 is a left side view of the handle with integrated tactile scale of FIG. 1.
FIG. 6 is a right side view of the handle with integrated tactile scale of FIG. 1.
FIG. 7 is a top view of the handle with integrated tactile scale of FIG. 1; and,
FIG. 8 is a bottom view of the handle with integrated tactile scale of FIG. 1.

(Continued)

1 Claim, 8 Drawing Sheets



(56)

References Cited

U.S. PATENT DOCUMENTS

D600,998 S * 9/2009 De Maria D8/336
 8,485,329 B1 7/2013 Roy et al.
 8,575,500 B1 * 11/2013 Genet, Sr. A45C 13/28
 177/148
 8,716,610 B2 5/2014 Zyman Beer
 9,080,910 B1 * 7/2015 Zyman Beer G09B 21/003
 9,265,317 B2 * 2/2016 Pitchforth A45C 5/14
 2002/0129628 A1 9/2002 Skalberg
 2005/0224261 A1 * 10/2005 Marks A45C 13/28
 177/131
 2007/0007048 A1 * 1/2007 Gill G01G 19/58
 177/131
 2007/0056779 A1 3/2007 Laniado et al.
 2007/0261213 A1 11/2007 Nolan et al.
 2008/0011568 A1 1/2008 Siwak et al.
 2008/0072404 A1 3/2008 Wetter
 2008/0185409 A1 8/2008 Kellenberger
 2010/0116559 A1 5/2010 Moon
 2010/0181354 A1 7/2010 Laniado
 2012/0186926 A1 7/2012 Sheikh

2012/0222904 A1 * 9/2012 Lu A45C 13/28
 177/148
 2013/0037363 A1 * 2/2013 Palmer G01G 19/58
 190/115
 2013/0048391 A1 2/2013 Lee
 2013/0140097 A1 6/2013 Zyman Beer

FOREIGN PATENT DOCUMENTS

WO 9859223 A1 12/1998
 WO 03100360 A1 12/2003
 WO 2005092676 A1 10/2005
 WO 2011048518 A1 4/2011
 WO 2013081736 A1 6/2013

OTHER PUBLICATIONS

European Search report (PCT 2012/060922), Dated Nov. 27, 2014,
 7 pages.
 International Search Report (PCT 2016-21246), Dated May 31,
 2016, 11 pages.

* cited by examiner

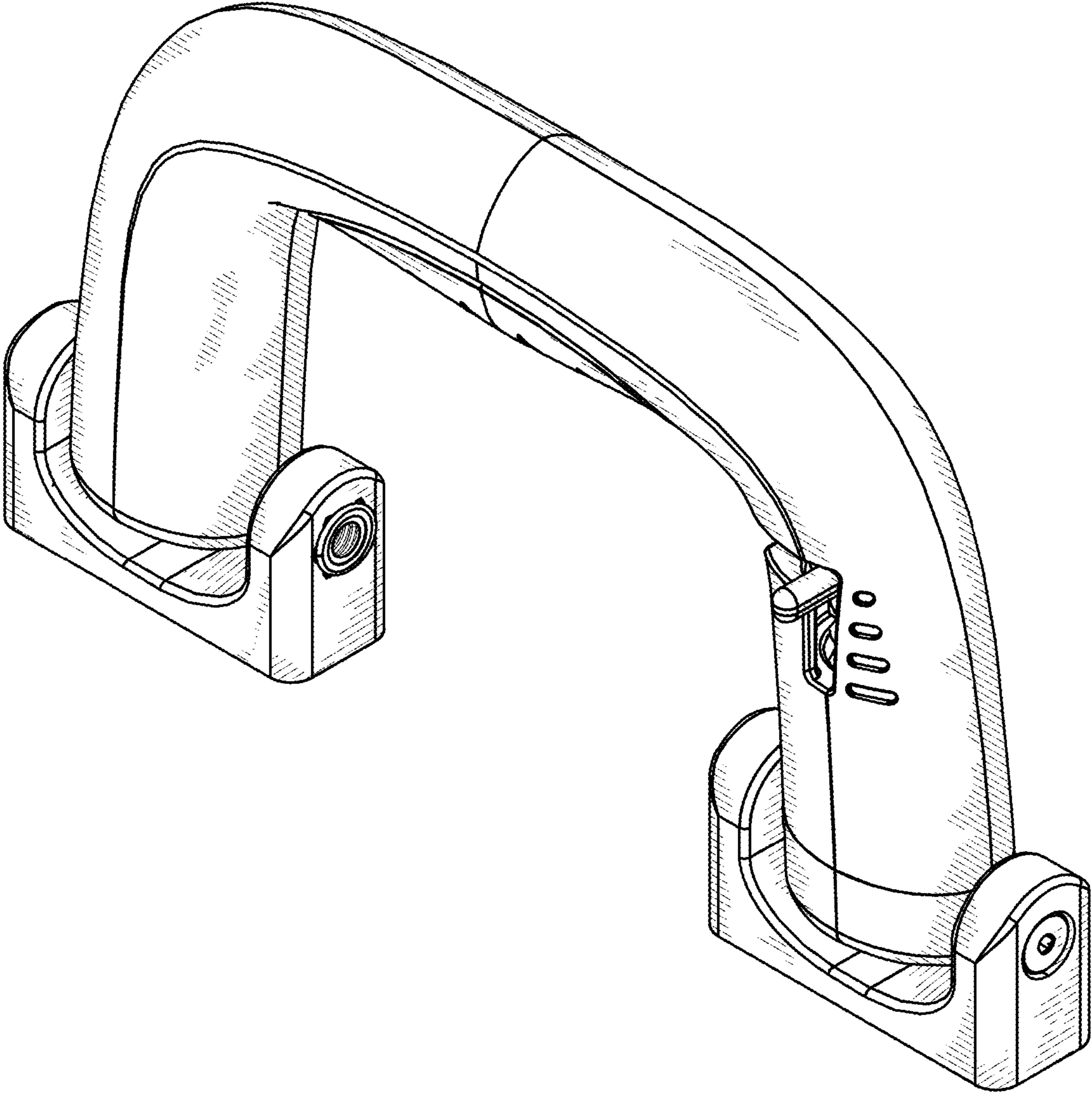


FIG. 1

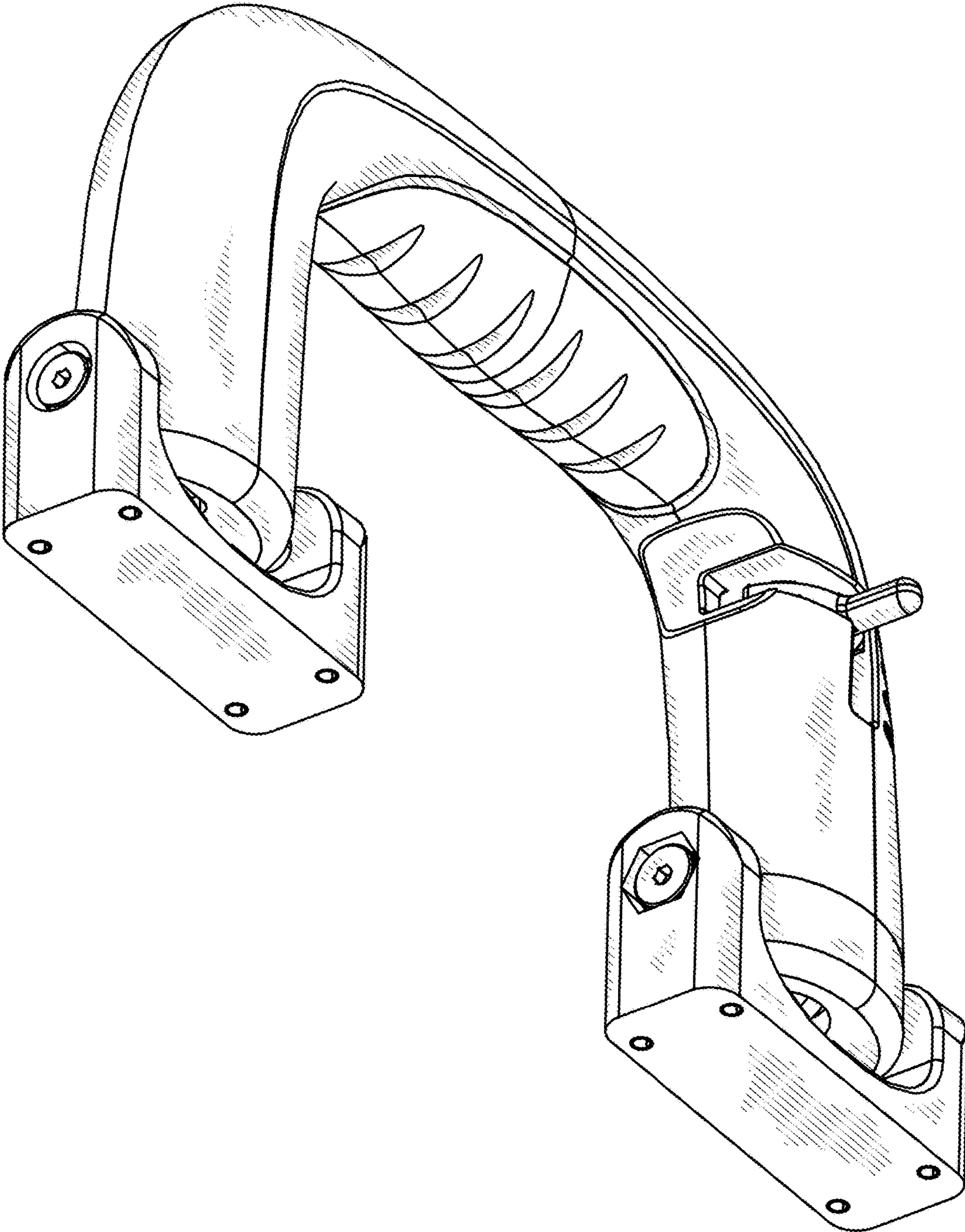


FIG. 2

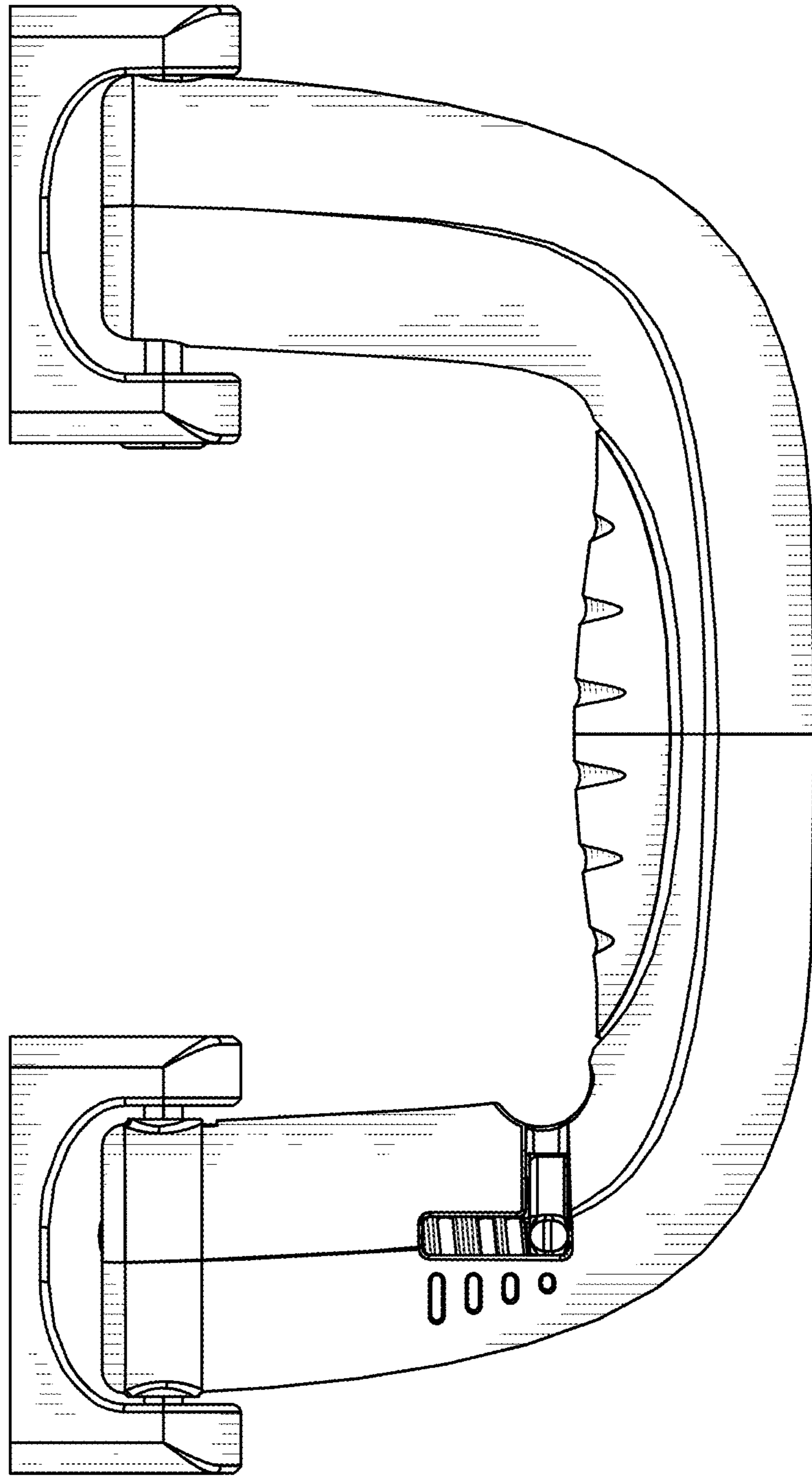


FIG. 3

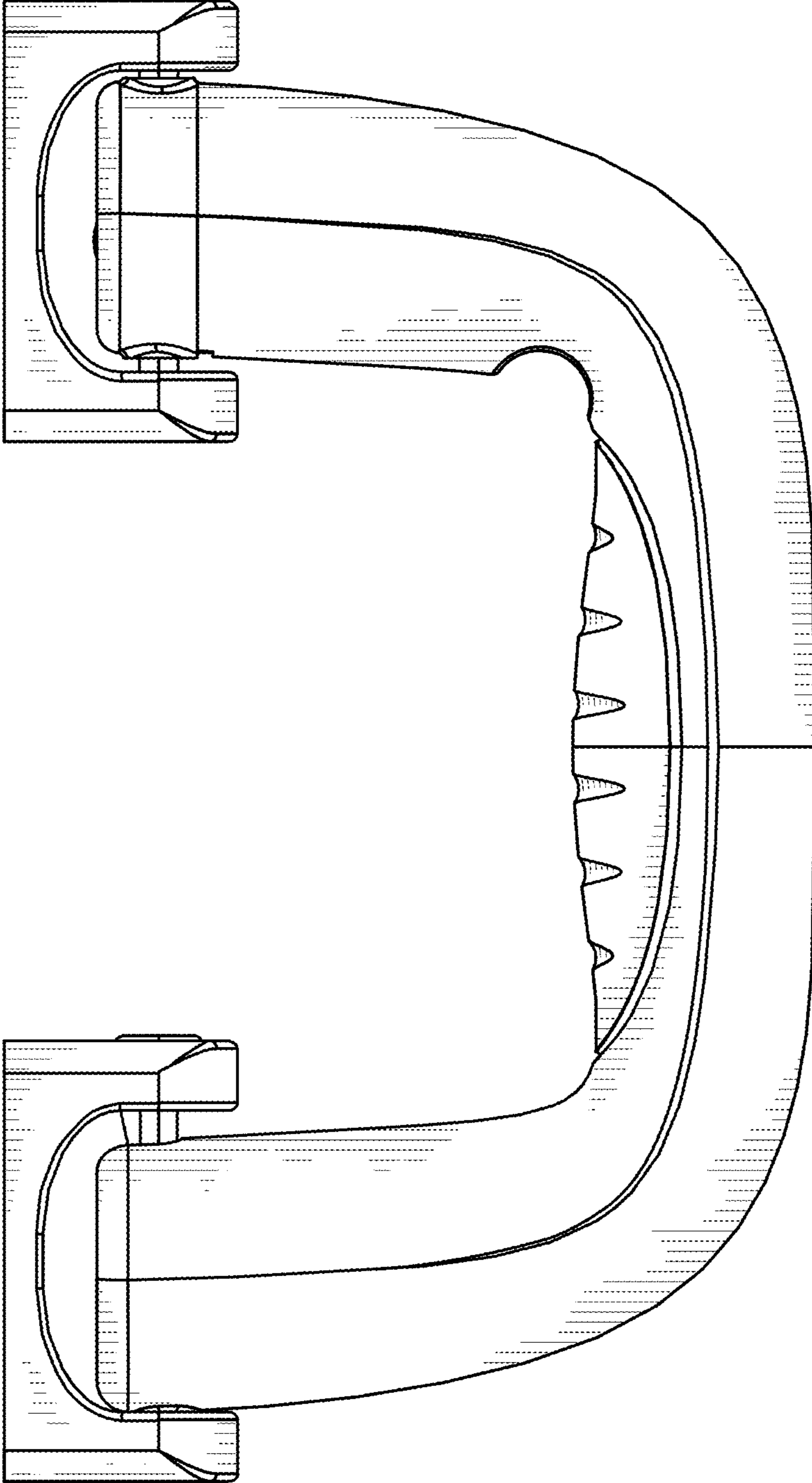


FIG. 4

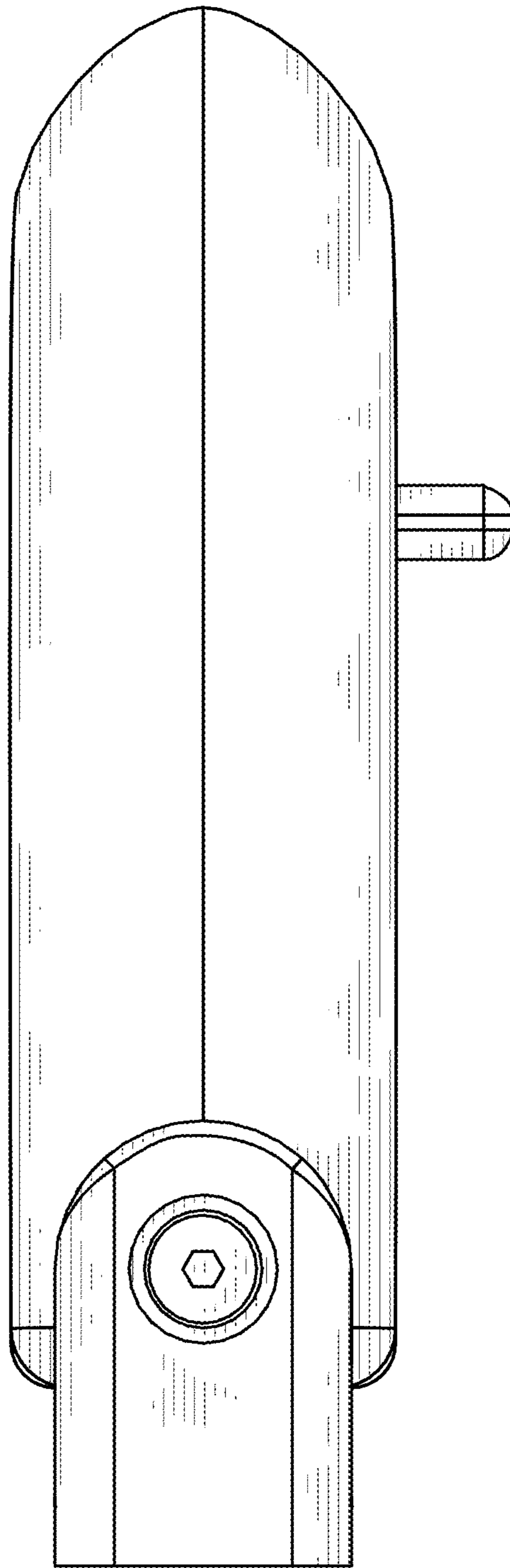


FIG. 5

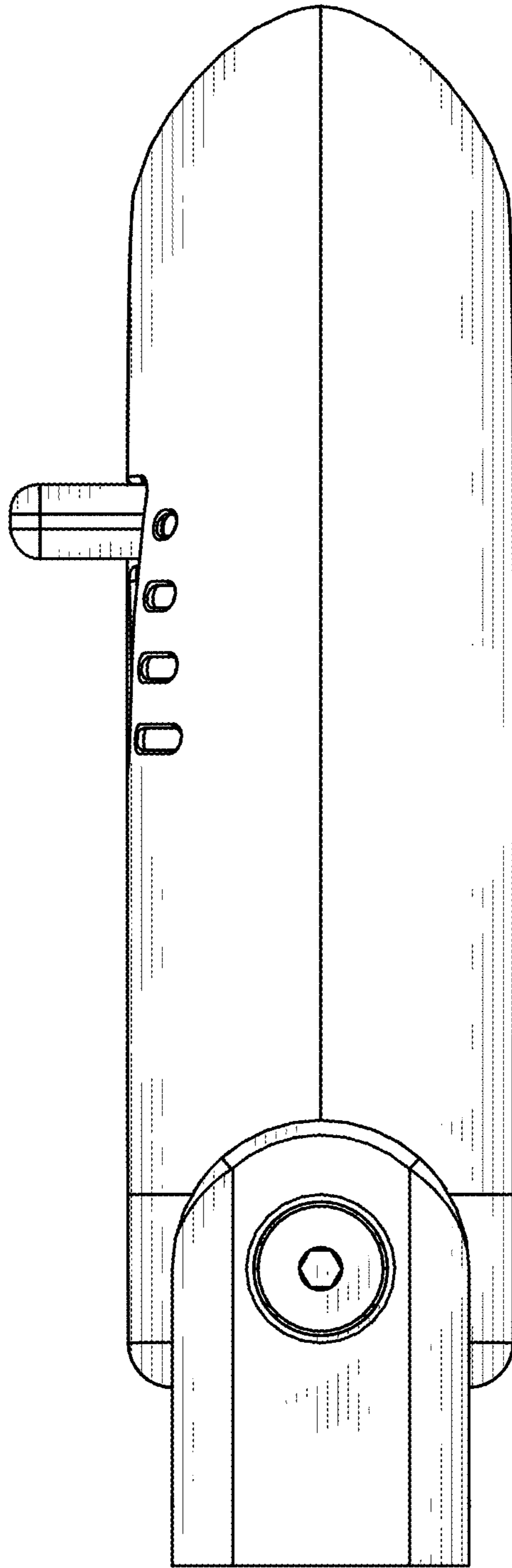


FIG. 6

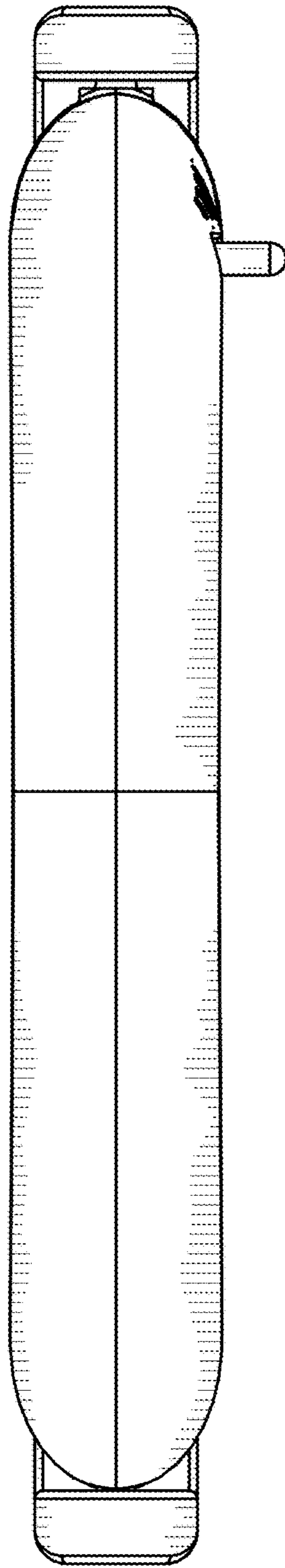


FIG. 7

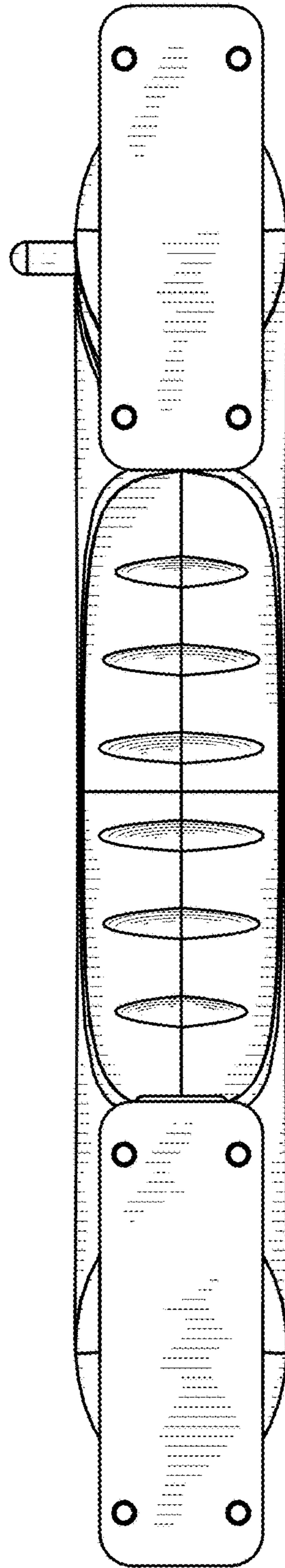


FIG. 8