

US00D793196S

(12) **United States Design Patent** (10) **Patent No.:** **US D793,196 S**
Neeley (45) **Date of Patent:** **** Aug. 1, 2017**

(54) **PRYBAR**
(71) Applicant: **C. Milton Neeley**, Hooper, UT (US)
(72) Inventor: **C. Milton Neeley**, Hooper, UT (US)
(**) Term: **15 Years**
(21) Appl. No.: **29/553,540**
(22) Filed: **Feb. 2, 2016**
(51) **LOC (10) Cl.** **08-05**
(52) **U.S. Cl.**
USPC **D8/89**
(58) **Field of Classification Search**
USPC D8/14, 45, 81, 88, 89, 105
CPC B25B 13/00; B25B 13/5033; B25B 27/00;
B25C 11/00; B25F 1/00; B25F 1/006;
B66F 15/00
See application file for complete search history.

D332,382 S 1/1993 Westcott
D340,852 S * 11/1993 Sanders D8/88
D344,665 S 3/1994 Baker
D361,248 S * 8/1995 Harper D8/51
D376,091 S * 12/1996 Heglin D8/14
5,782,600 A 7/1998 Walsh
D398,821 S 9/1998 Jones
6,676,111 B2 1/2004 Bigham
6,820,457 B2 11/2004 Luebke et al.
6,988,711 B2 1/2006 Skach
7,389,971 B2 * 6/2008 Gaudreault B60P 7/0853
16/110.1
D593,837 S 6/2009 Lindskog
D602,671 S * 10/2009 McMorris D34/28
7,634,845 B1 12/2009 Sim
D644,084 S 8/2011 Canavan et al.
8,434,739 B1 5/2013 Connolly
D719,003 S 12/2014 Neeley
D719,004 S 12/2014 Neeley
2006/0213057 A1 9/2006 Pruitt

(Continued)

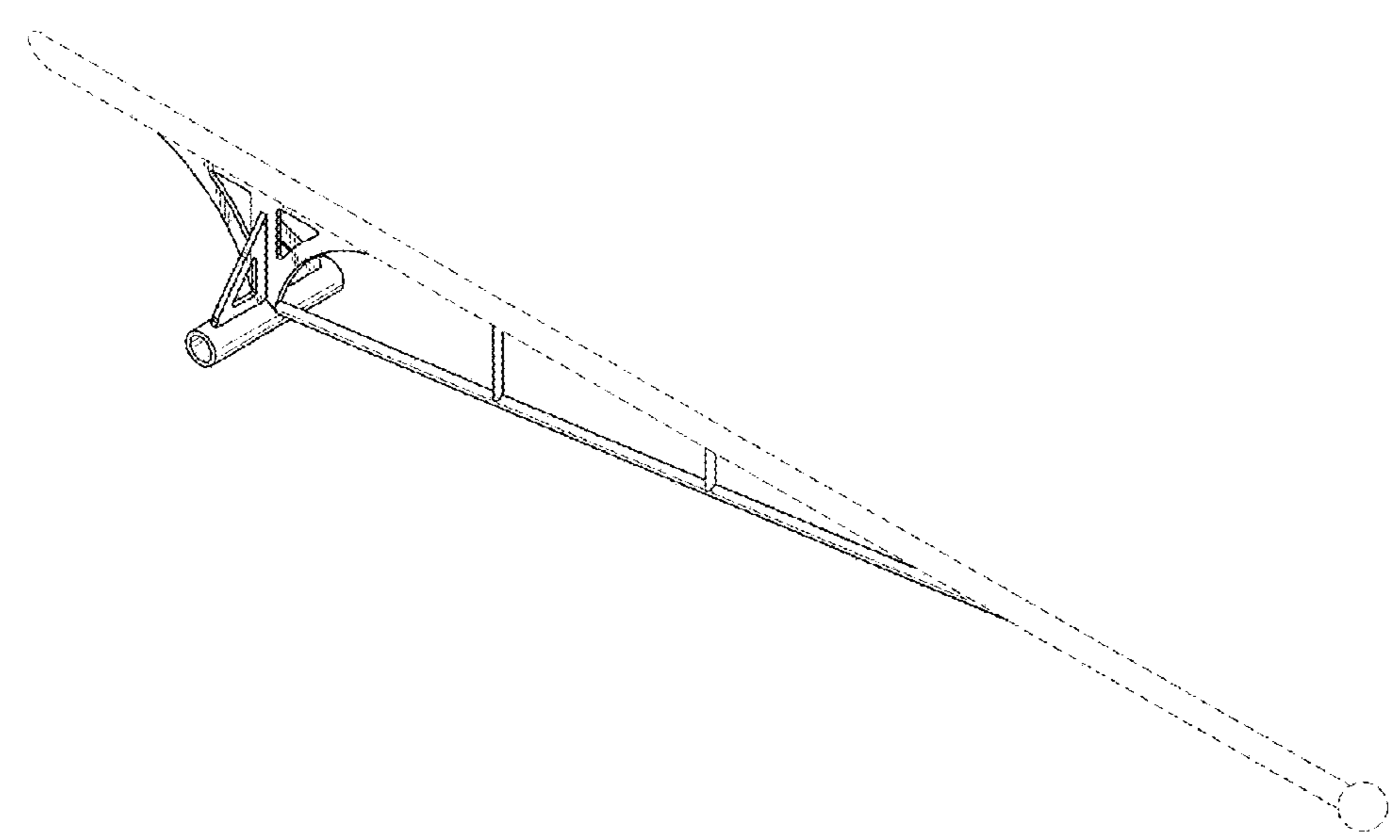
Primary Examiner — Philip S Hyder
Assistant Examiner — Roselynn Cody
(74) *Attorney, Agent, or Firm* — TraskBritt

- (56) **References Cited**
U.S. PATENT DOCUMENTS
1,356,431 A * 10/1920 Eddy B25C 11/00
7/164
1,570,192 A * 1/1926 Younick B66F 15/00
254/131
1,719,311 A 7/1929 Sargent
2,087,148 A * 7/1937 Hempy B25C 11/00
254/25
2,446,410 A * 8/1948 Couse B66C 23/36
212/347
D168,586 S * 1/1953 Oros et al. D8/14
2,716,274 A * 8/1955 Smith B25B 27/02
29/280
4,183,503 A 1/1980 Ward
4,488,706 A 12/1984 Kono
D277,359 S 1/1985 Schiller
4,650,232 A 3/1987 Perry

(57) **CLAIM**
The ornamental design for a prybar, as shown and described.

DESCRIPTION
FIG. 1 is a perspective view of an embodiment of a prybar; FIG. 2 is a left side view of the prybar shown in FIG. 1; FIG. 3 is a right side view of the prybar shown in FIG. 1; FIG. 4 is a top view of the prybar shown in FIG. 1; FIG. 5 is a bottom view of the prybar shown in FIG. 1; FIG. 6 is a front view of the prybar shown in FIG. 1; and, FIG. 7 is a rear view of the prybar shown in FIG. 1. The broken lines in the drawings illustrate a portion of the prybar that forms no part of the claim.

1 Claim, 3 Drawing Sheets



(56)

References Cited

U.S. PATENT DOCUMENTS

2009/0139035 A1 6/2009 Kang
2011/0113566 A1 5/2011 Holbrook

* cited by examiner

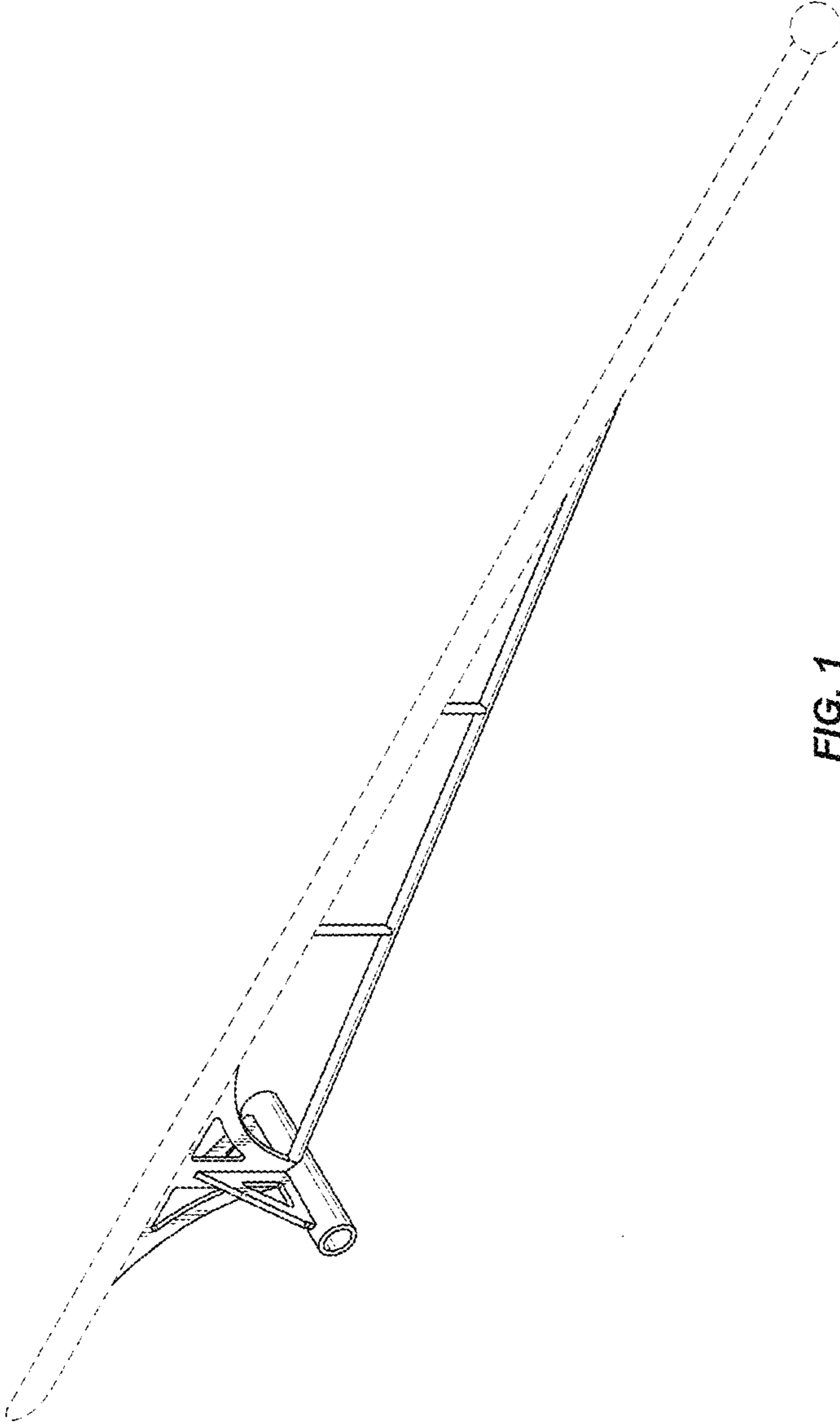


FIG. 1

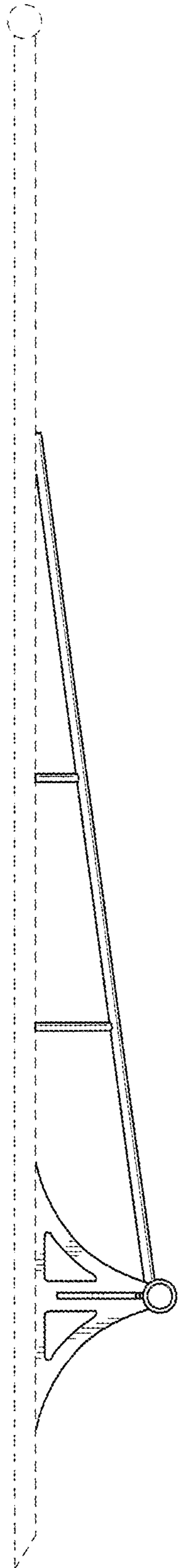


FIG. 2

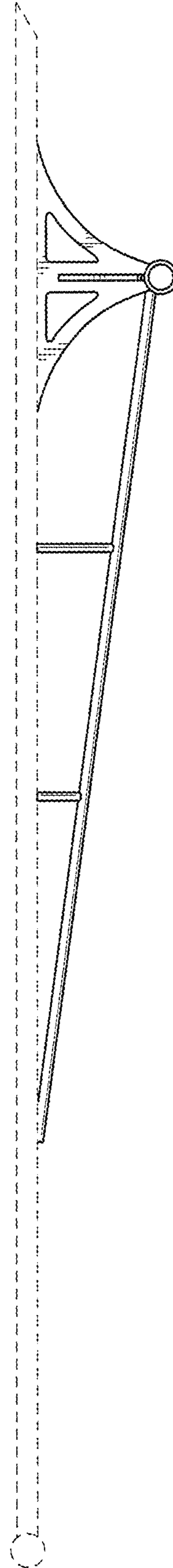


FIG. 3

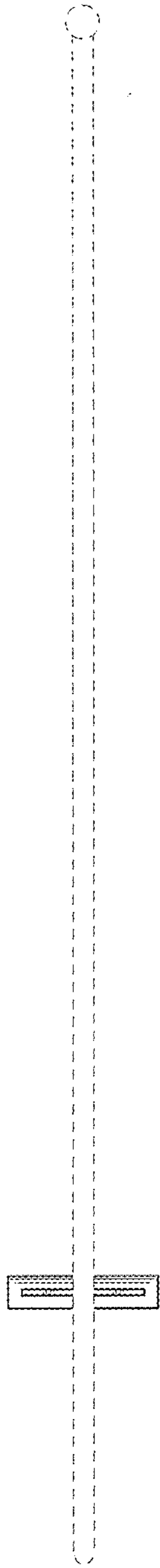


FIG. 4

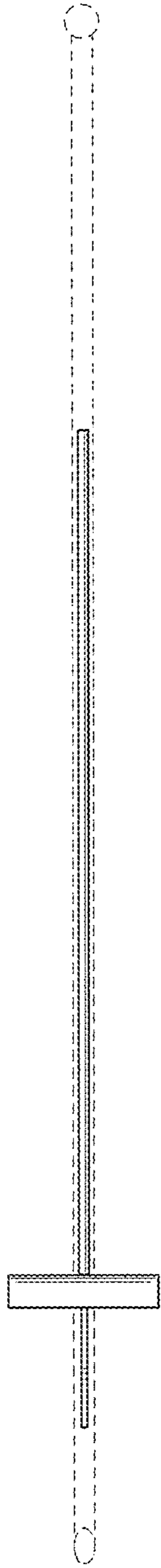


FIG. 5

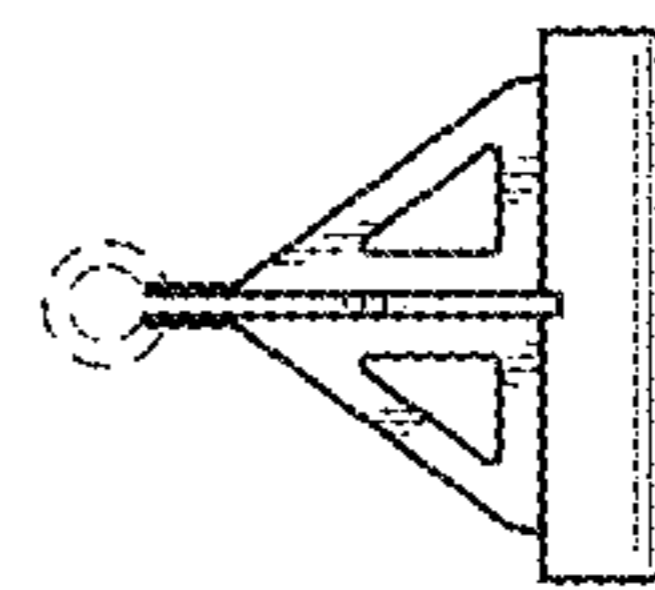


FIG. 6

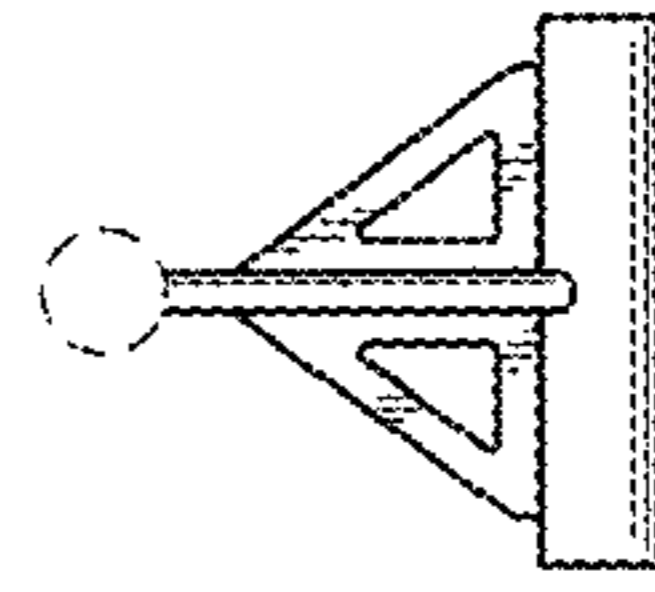


FIG. 7