



US00D793193S

(12) **United States Design Patent** (10) **Patent No.:** **US D793,193 S**
Lee (45) **Date of Patent:** **** Aug. 1, 2017**

(54) **GLUE GUN** 6,105,824 A * 8/2000 Singleton B05C 17/0053
219/221
(71) Applicant: **HOMEEASE INDUSTRIAL** D514,406 S * 2/2006 Lee D8/30
CORPORATION LTD., Chia Yi Hsien D535,167 S * 1/2007 Monfeli D8/14.1
(TW) D590,674 S * 4/2009 Belanger D8/30
7,775,403 B2 * 8/2010 Monfeli B05C 17/00526
219/242
(72) Inventor: **Grace Lee**, Chia Yi Hsien (TW) D671,385 S * 11/2012 Yung-Kuan D8/30

(73) Assignee: **HOMEEASE INDUSTRIAL**
CORPORATION LTD., Chia Yi Hsien
(TW)

(**) Term: **15 Years**

(21) Appl. No.: **29/540,283**

(22) Filed: **Sep. 22, 2015**

(51) **LOC (10) Cl.** **08-05**

(52) **U.S. Cl.**
USPC **D8/30**

(58) **Field of Classification Search**
USPC D8/29.1, 29.2, 30, 68
CPC . B05C 17/00523; B05C 17/01; A01K 13/001;
A61M 5/31595; A61M 5/3158
See application file for complete search history.

(56) **References Cited**

U.S. PATENT DOCUMENTS

5,048,722 A * 9/1991 Lichu B05C 17/0053
126/401
5,362,164 A * 11/1994 Wingert B05C 17/00526
219/505

* cited by examiner

Primary Examiner — Phillip S Hyder

(74) *Attorney, Agent, or Firm* — Symbus Law Group,
LLC; Clifford D. Hyra

(57) **CLAIM**

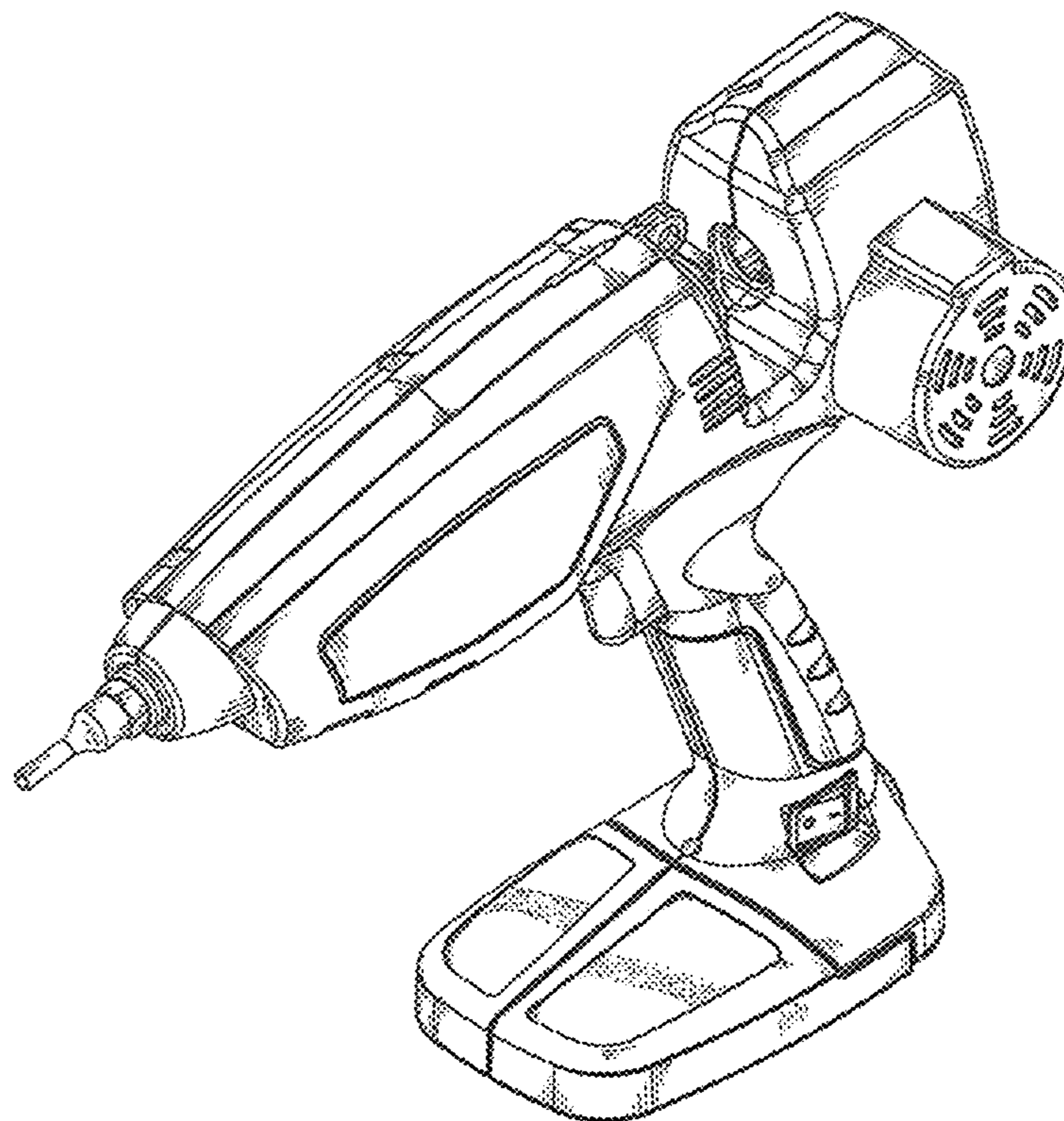
The ornamental design for a glue gun, as shown and described.

DESCRIPTION

FIG. 1 is a front view of a glue gun showing my new design; FIG. 2 is a rear view thereof; FIG. 3 is a right side view thereof; FIG. 4 is a left side view thereof; FIG. 5 is a top view thereof; FIG. 6 is bottom view thereof; and, FIG. 7 is a perspective view thereof showing the top, front, and left sides.

The broken lines in FIG. 6 depict portions of the glue gun in which the design is embodied that are not considered part of the claimed design.

1 Claim, 5 Drawing Sheets



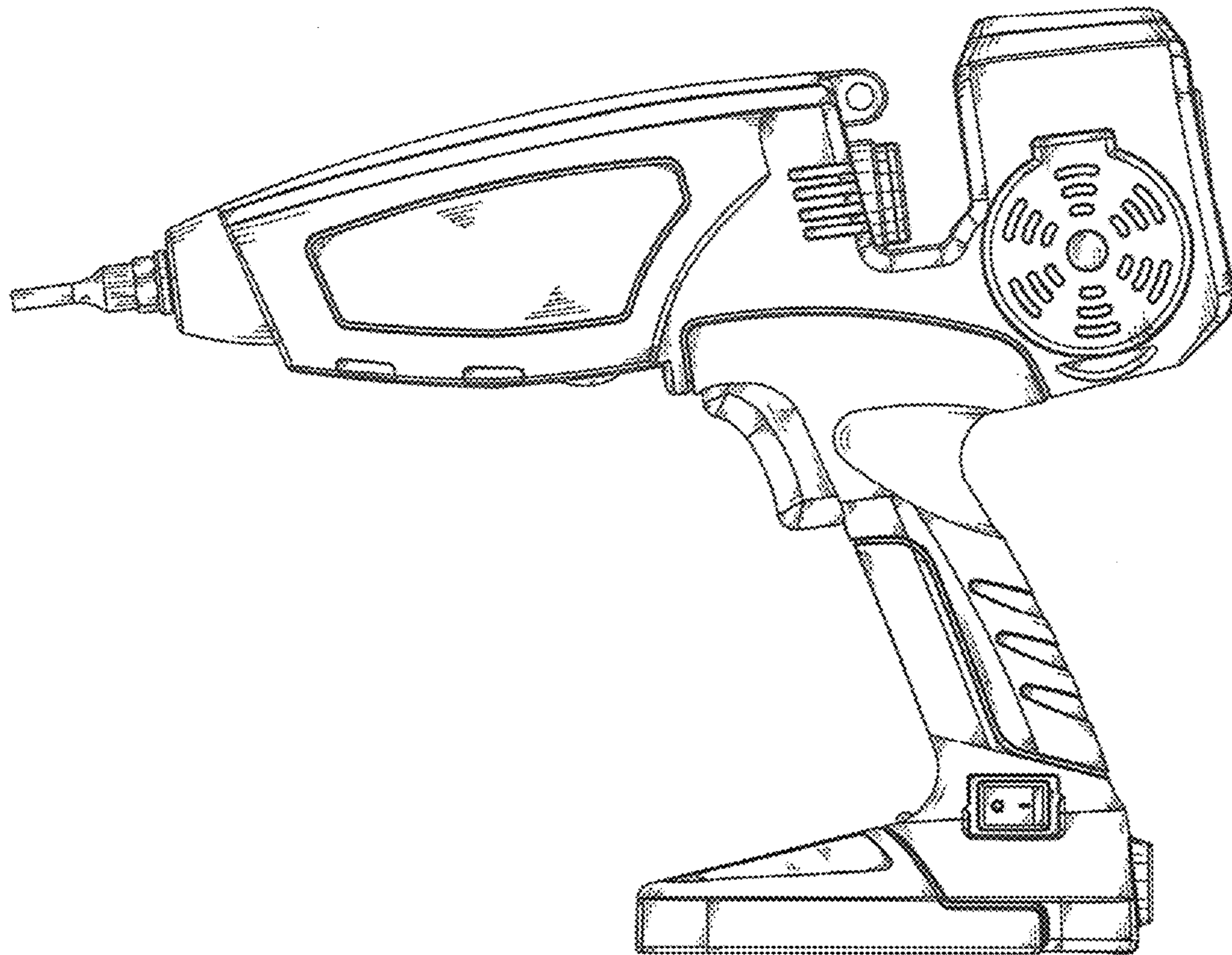


FIG. 1

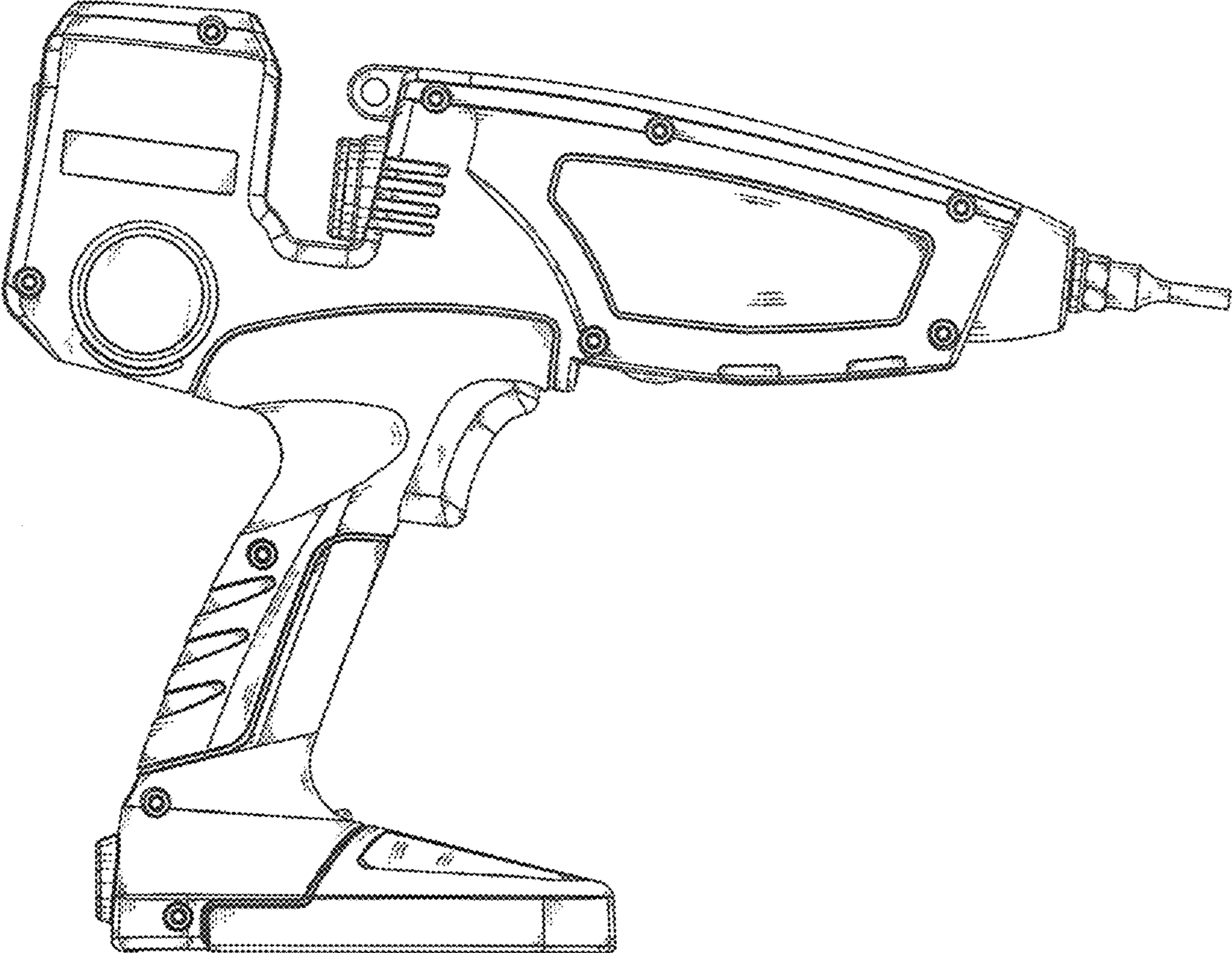


FIG.2

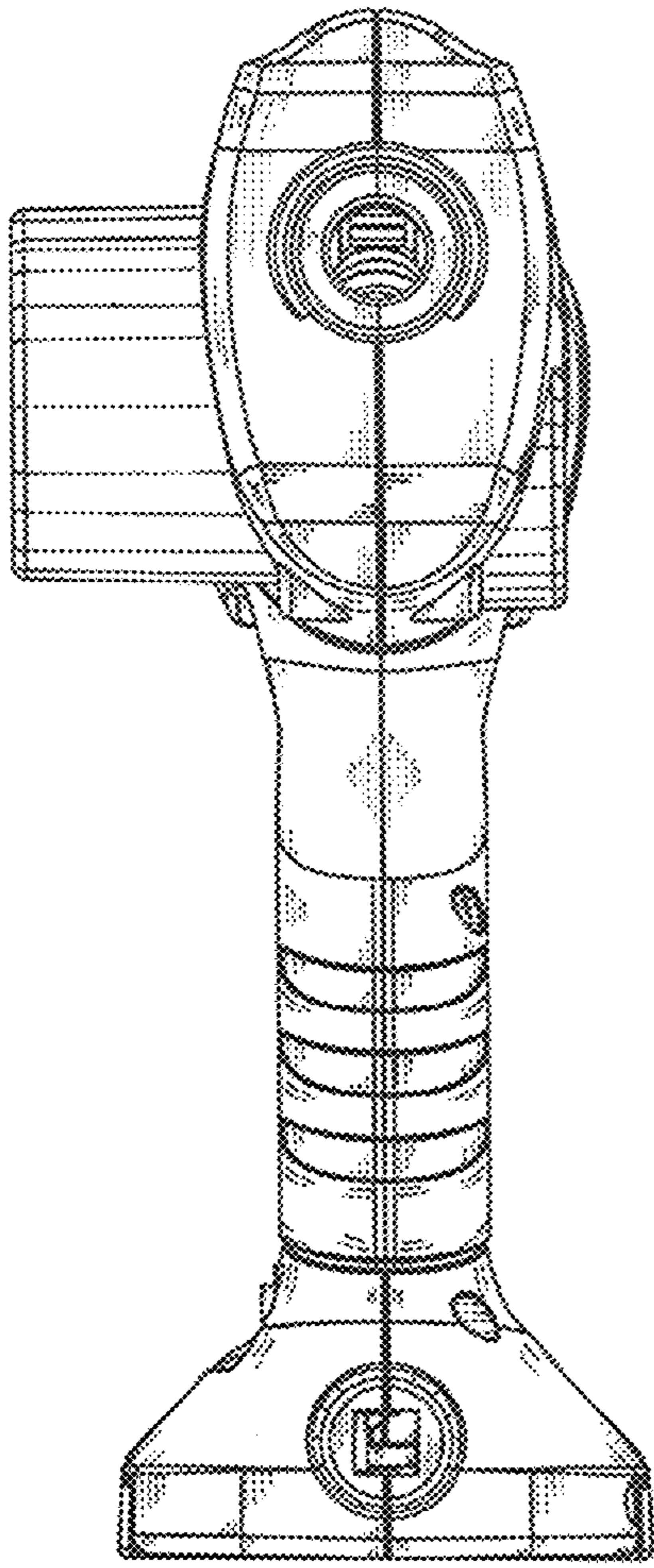


FIG. 3

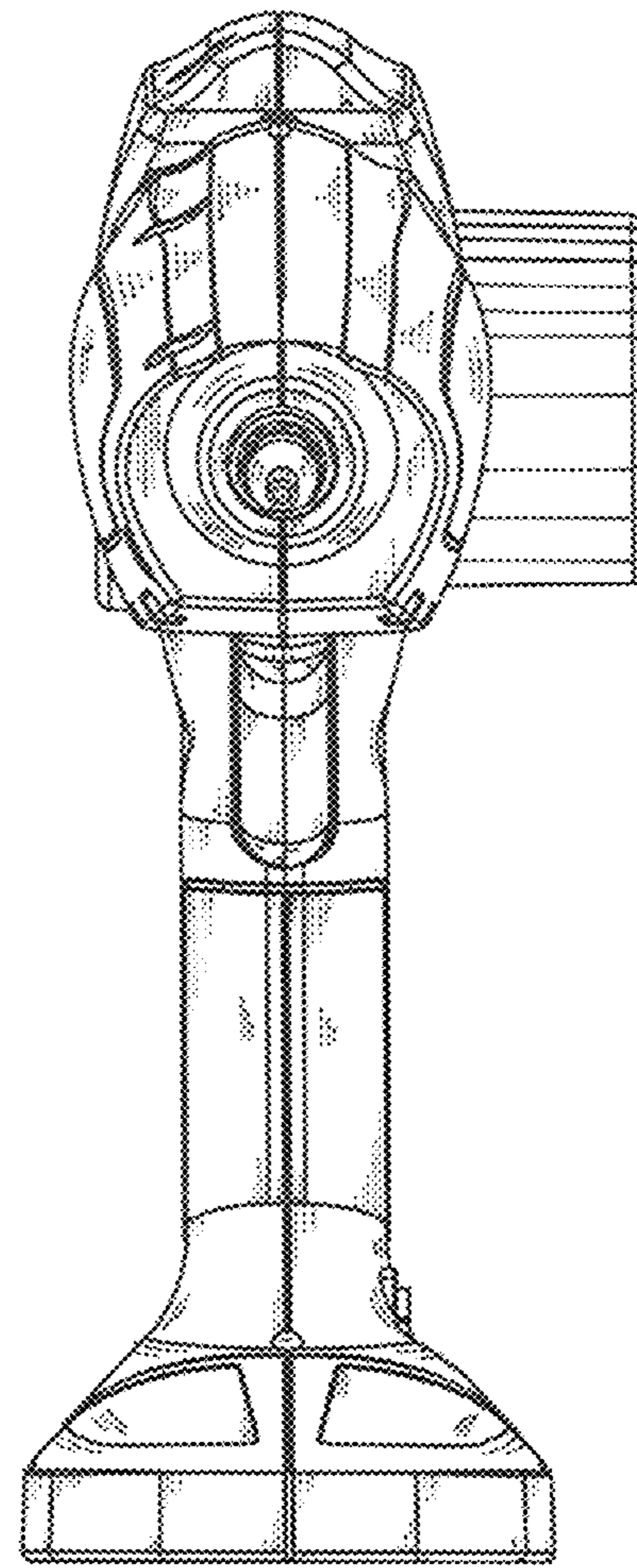


FIG. 4

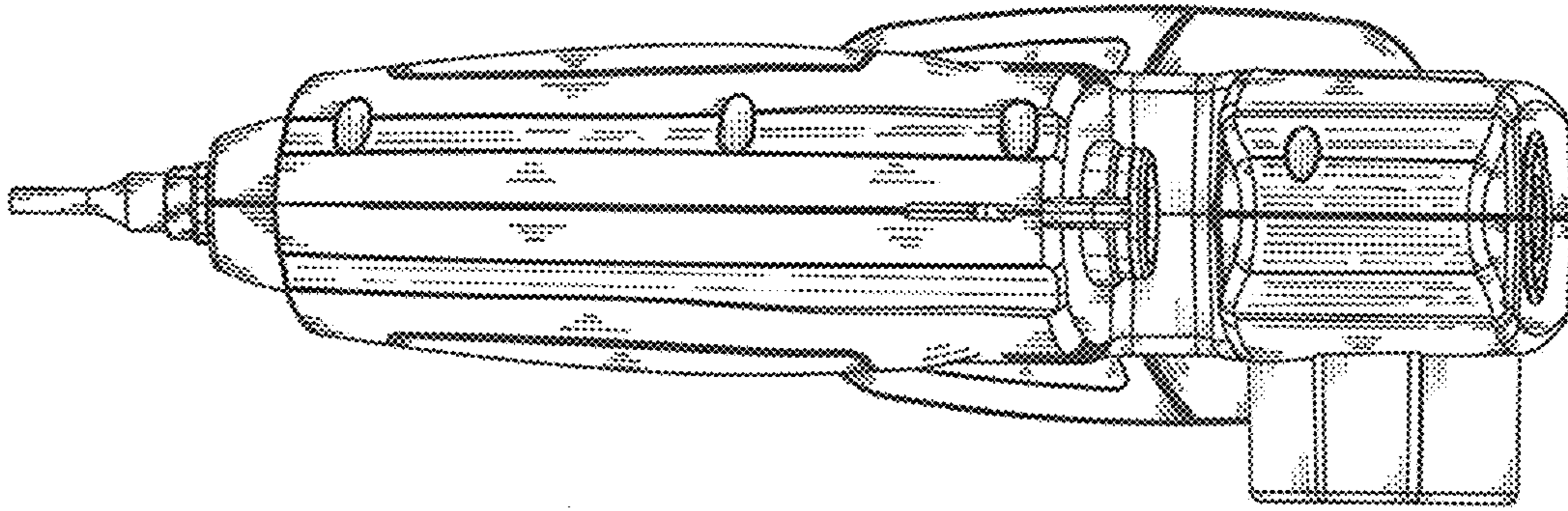


FIG. 5

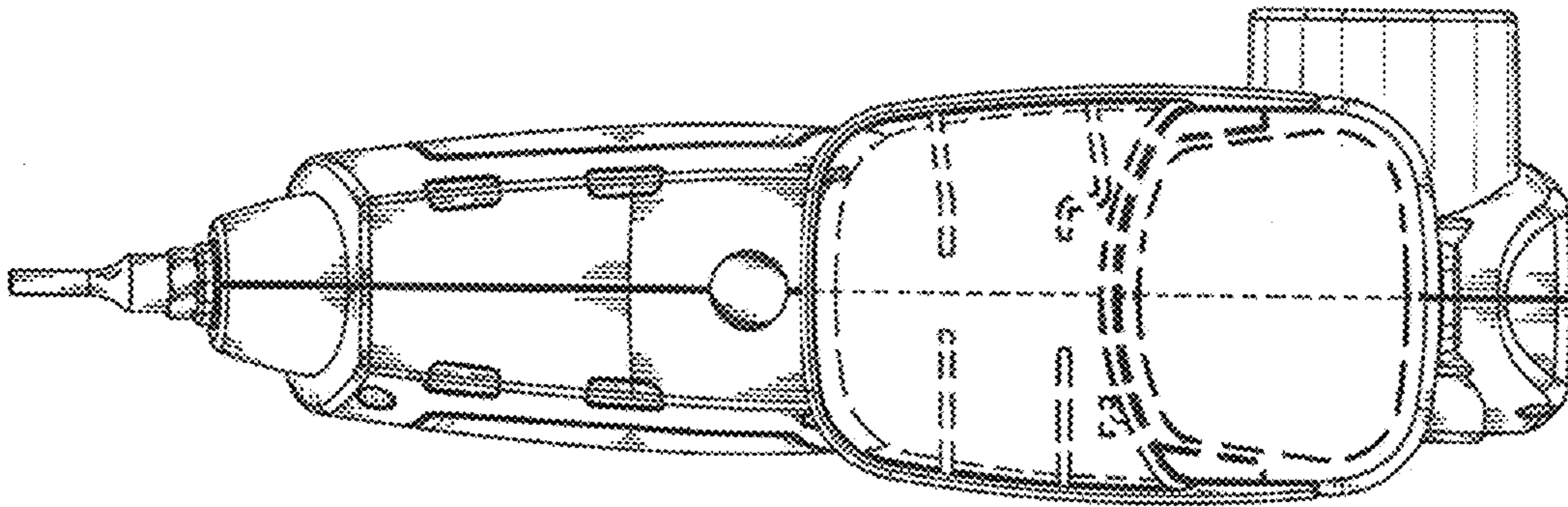


FIG. 6

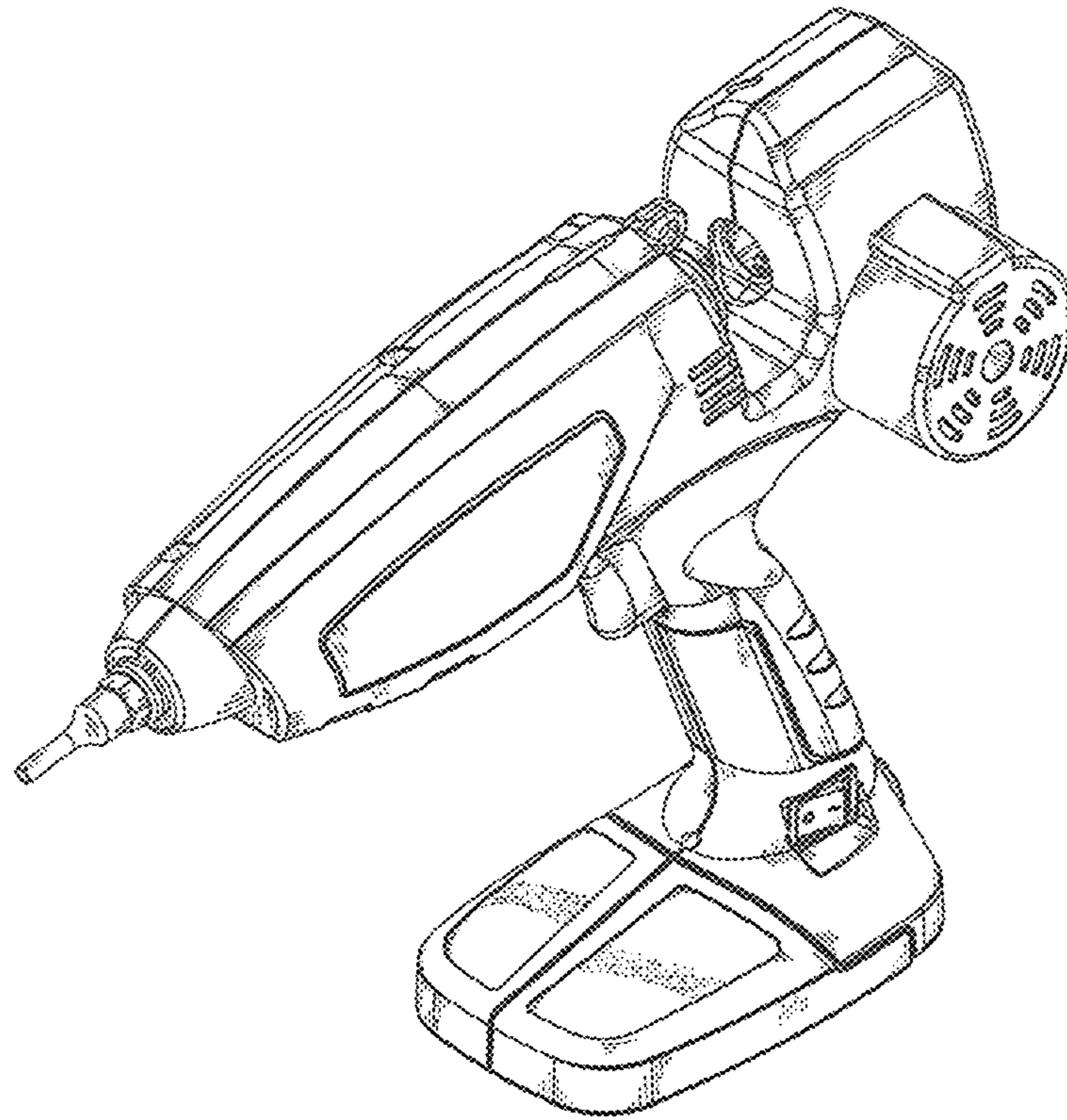


FIG. 7