



US00D793191S

(12) **United States Design Patent** (10) **Patent No.:** **US D793,191 S**  
**Palsson et al.** (45) **Date of Patent:** **\*\* Aug. 1, 2017**

(54) **TORQUE WRENCH**

(56) **References Cited**

- (71) Applicant: **SANDVIK INTELLECTUAL PROPERTY AB**, Sandviken (SE)
- (72) Inventors: **Claes Palsson**, Gavle (SE); **Linus Larsson**, Goteborg (SE); **Sebastian Roos**, Goteborg (SE); **Caspar Andren**, Goteborg (SE); **Ove Larsson**, Vastra Frolunda (SE); **Rikard Ahlberg Agermark**, Stockholm (SE)
- (73) Assignee: **SANDVIK INTELLECTUAL PROPERTY AB**, Sandviken (SE)
- (\*\*) Term: **15 Years**
- (21) Appl. No.: **29/574,569**
- (22) Filed: **Aug. 17, 2016**

U.S. PATENT DOCUMENTS

2,768,547	A *	10/1956	Noell	.....	B25B 23/14	464/37
6,666,117	B2 *	12/2003	Hu	.....	B25B 23/1427	464/35
6,701,813	B2 *	3/2004	Hu	.....	B25B 23/1427	81/467
6,886,434	B2 *	5/2005	Hu	.....	B25B 23/1427	464/35
7,281,457	B2 *	10/2007	Hu	.....	B25B 23/1427	464/35
7,487,700	B2 *	2/2009	Cutler	.....	B25B 23/1427	81/467
D602,755	S *	10/2009	Junkers	.....	D8/24	
7,762,164	B2 *	7/2010	Nino	.....	B25B 15/02	81/475
D630,956	S *	1/2011	Wang	.....	D10/83	
D709,393	S *	7/2014	Lee	.....	D10/83	
9,533,404	B2 *	1/2017	Hu	.....	B25B 23/1427	

\* cited by examiner

**Related U.S. Application Data**

- (62) Division of application No. 29/536,215, filed on Aug. 14, 2015, now Pat. No. Des. 767,354.

**Foreign Application Priority Data**

- Feb. 20, 2015 (EM) ..... 001430391-0001  
 Feb. 20, 2015 (EM) ..... 001430391-0002

- (51) **LOC (10) Cl.** ..... **08-05**  
 (52) **U.S. Cl.**  
 USPC ..... **D8/24**

- (58) **Field of Classification Search**  
 USPC ..... D8/24, 61, 107; 73/862.22, 862.23,  
 73/862.331-962.335; 81/467, 469, 479,  
 81/480-483, 57, 39; 464/25, 35  
 CPC ..... B25B 31/00; B25B 13/00; B25B 23/00  
 See application file for complete search history.

*Primary Examiner* — Randall Gholson

(74) *Attorney, Agent, or Firm* — Corinne R. Gorski

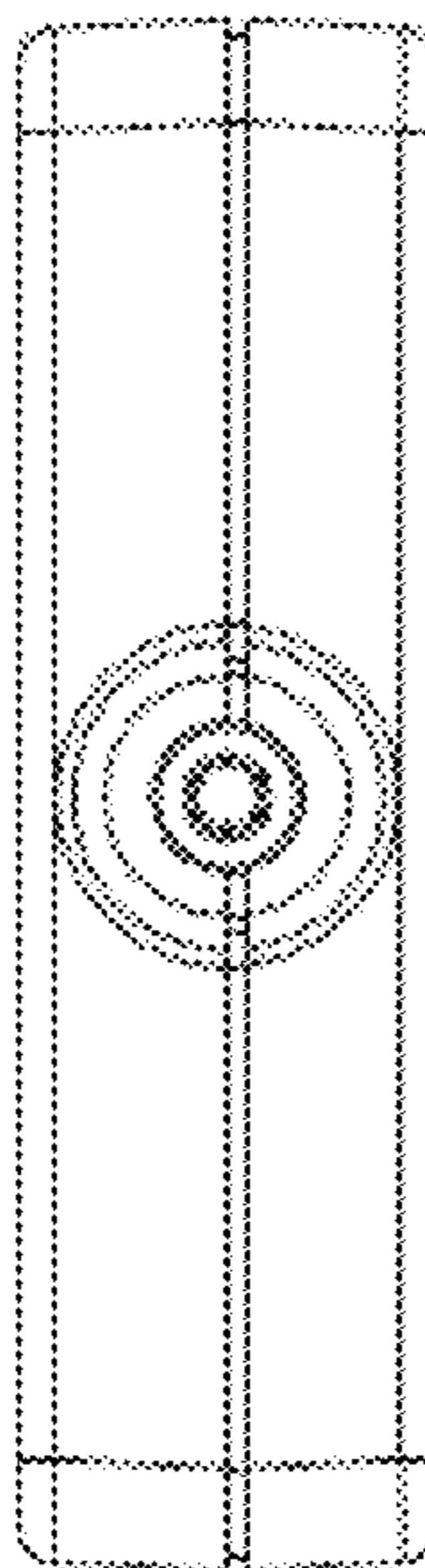
(57) **CLAIM**

The ornamental design for a torque wrench, as shown and described.

**DESCRIPTION**

FIG. 1 is a bottom view of an embodiment of a torque wrench.  
 FIG. 2 is a top view of thereof.  
 FIG. 3 is a side view thereof.  
 FIG. 4 is a front view thereof.  
 FIG. 5 is a top, perspective view thereof; and,  
 FIG. 6 is a bottom, rear perspective view thereof.

**1 Claim, 3 Drawing Sheets**



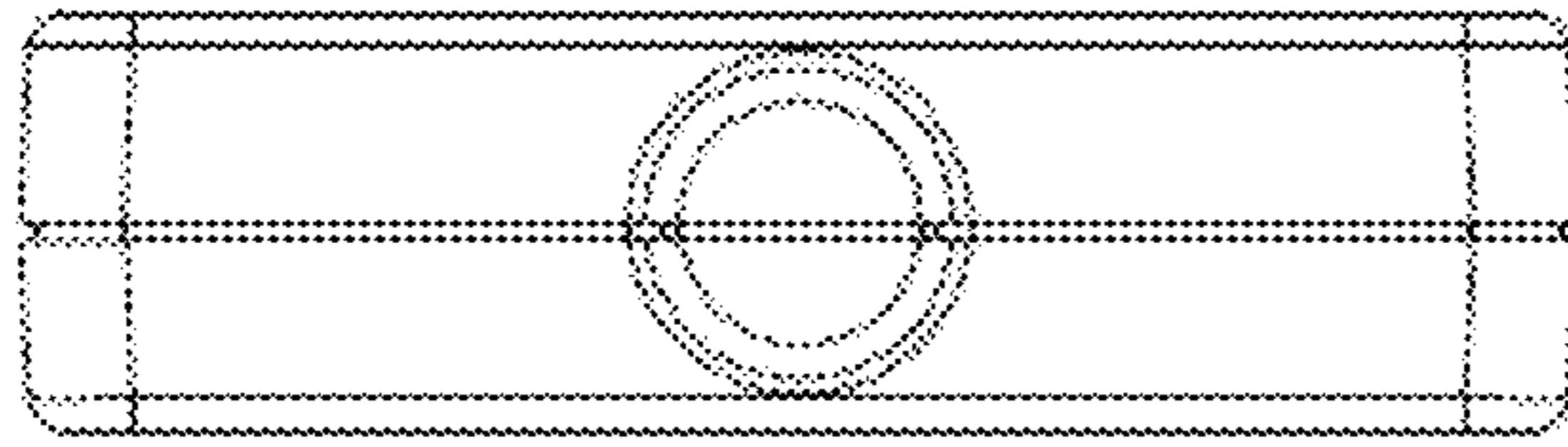


Fig. 2

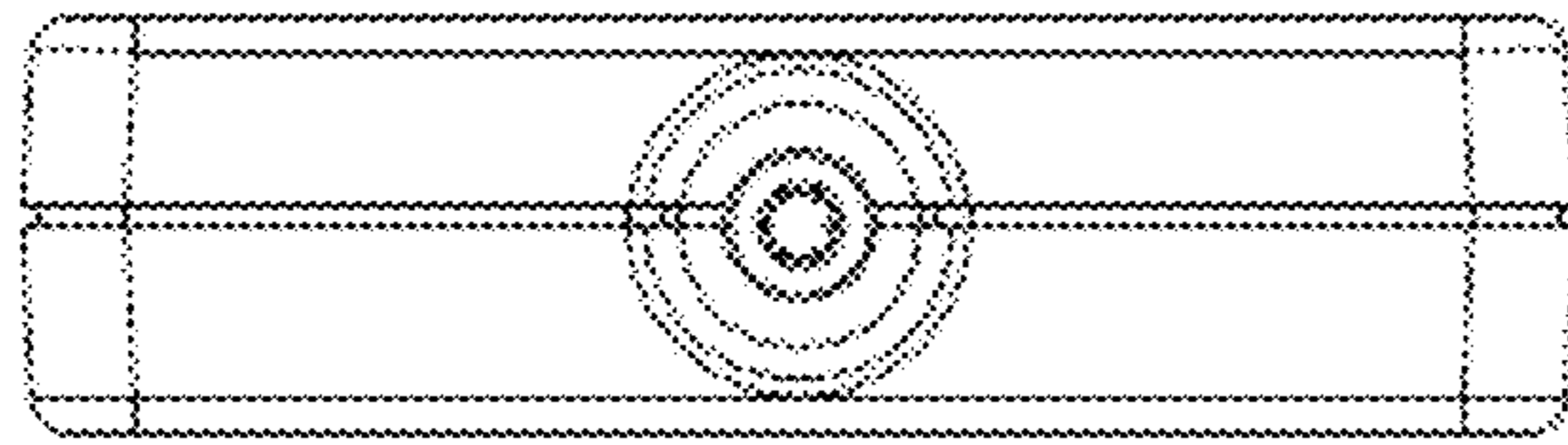


Fig. 1

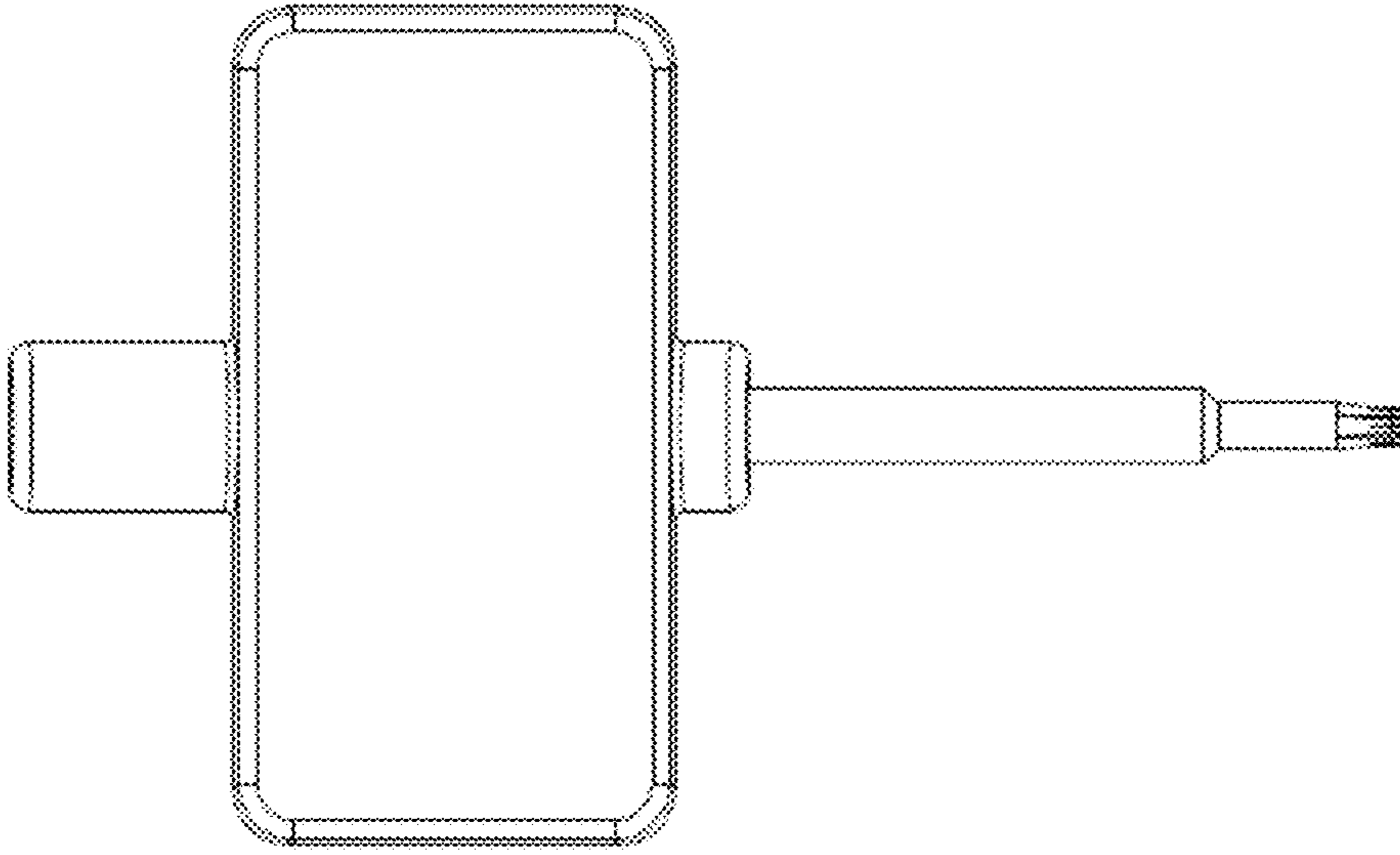


Fig. 4

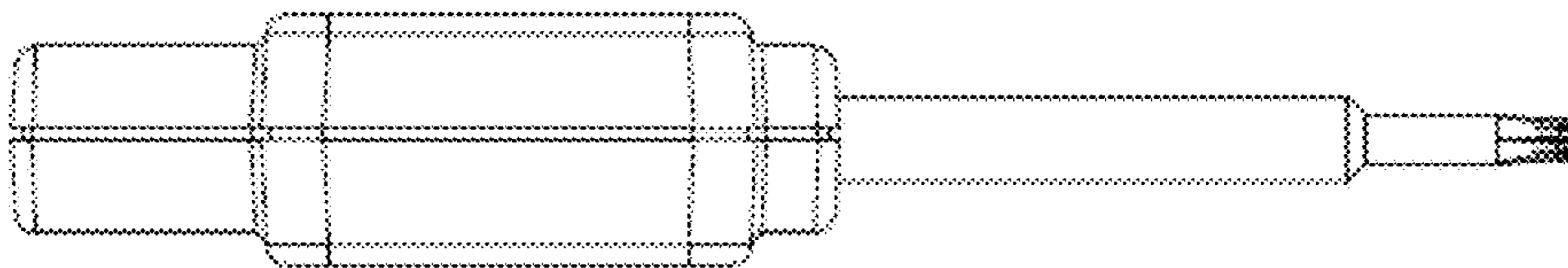


Fig. 3

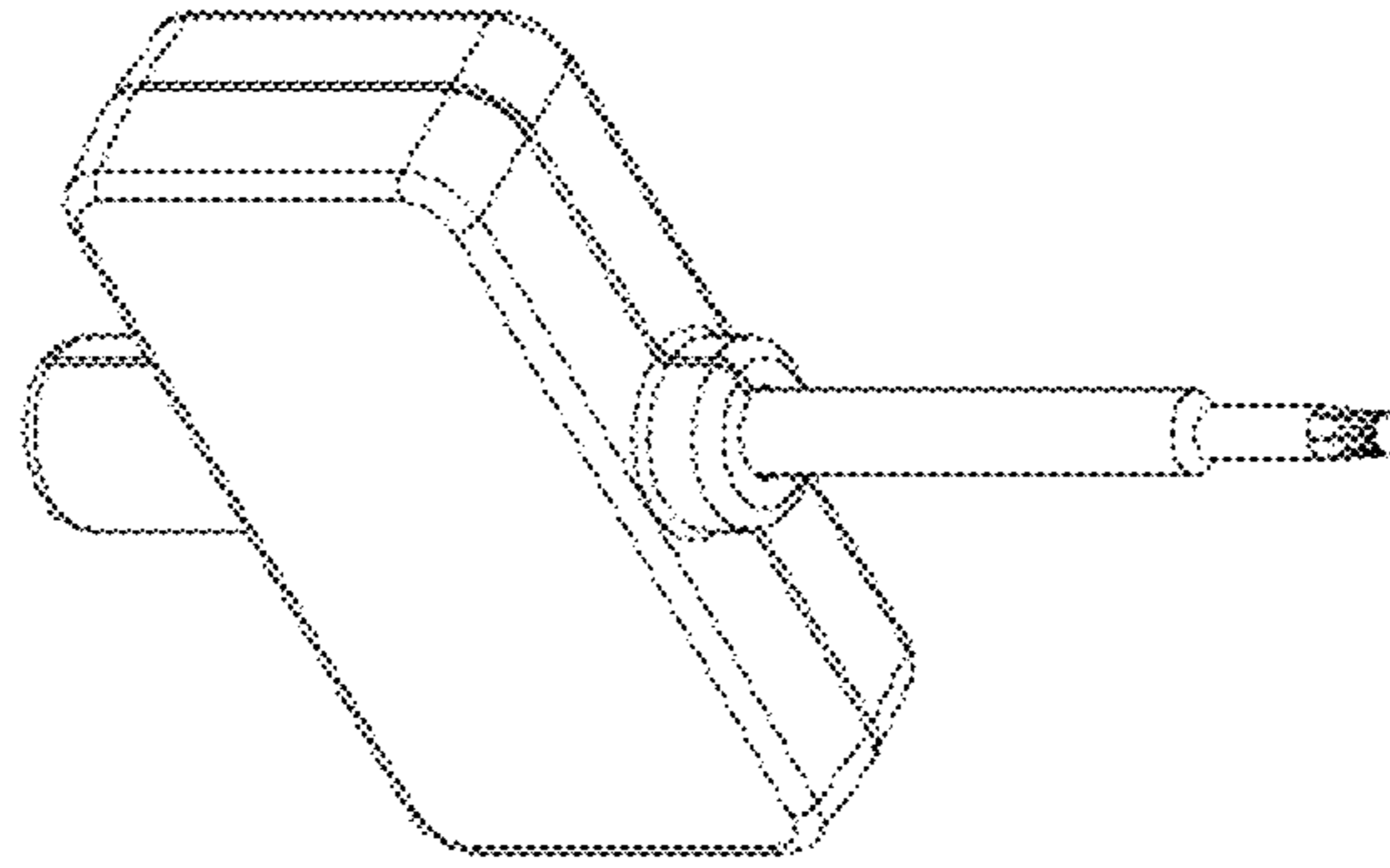


Fig. 6

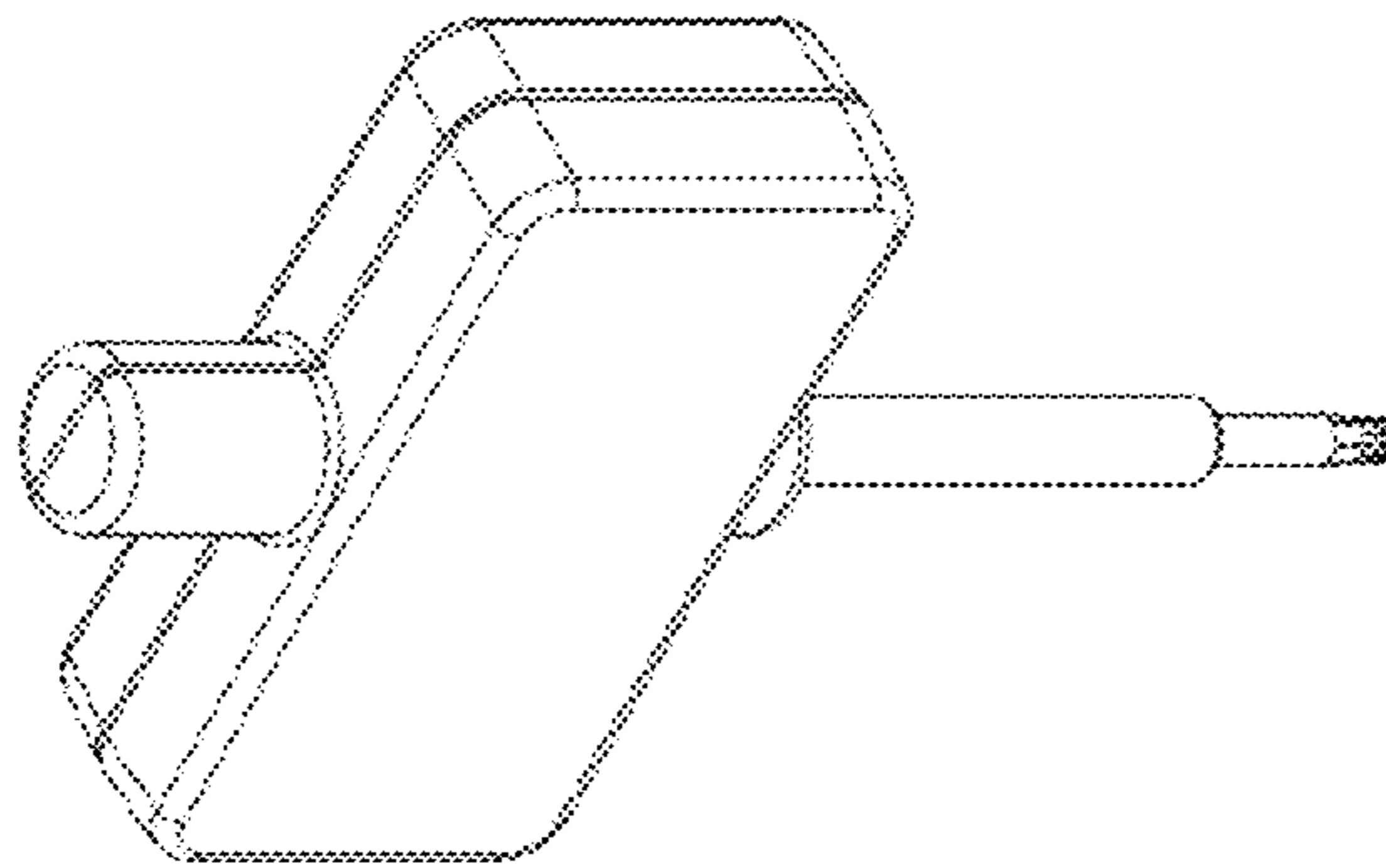


Fig. 5