

US00D793188S

(12) **United States Design Patent** (10) **Patent No.:** **US D793,188 S**
Boone (45) **Date of Patent:** **** Aug. 1, 2017**

(54) **RAKE WITH WRIST ATTACHMENT**
(71) Applicant: **Randy M. Boone**, West Willington, CT (US)
(72) Inventor: **Randy M. Boone**, West Willington, CT (US)
(**) Term: **14 Years**
(21) Appl. No.: **29/512,905**
(22) Filed: **Dec. 23, 2014**

D391,814 S * 3/1998 Lindsey D8/13
D393,786 S * 4/1998 Hession D8/13
D402,173 S * 12/1998 Woodley D8/13
D442,039 S * 5/2001 Yeh D8/13
D465,705 S * 11/2002 Hinden D8/13
D505,304 S * 5/2005 Conaway D8/13
D543,427 S * 5/2007 Willison D8/13
D545,647 S * 7/2007 Fortier D8/13
D577,967 S * 10/2008 Norton D8/13
D579,289 S * 10/2008 Norton D8/13
D616,273 S 5/2010 Cohen et al.
D625,571 S * 10/2010 Frenkel D8/13
2004/0187470 A1 * 9/2004 Hurt A01D 7/00
56/400.18
2008/0060338 A1 * 3/2008 Chang A01D 7/00
56/400.14
2013/0291695 A1 * 11/2013 Bricker B25B 11/00
81/489

Related U.S. Application Data

(62) Division of application No. 13/838,202, filed on Mar. 15, 2013, now abandoned.
(51) **LOC (10) Cl.** **08-01**
(52) **U.S. Cl.**
USPC **D8/13**
(58) **Field of Classification Search**
USPC D8/1, 13, 10
CPC ... A01D 7/00; A01D 7/04; A01D 7/06; A01D 7/02; A01B 1/08; A01B 1/06; A01B 1/20
See application file for complete search history.

* cited by examiner

Primary Examiner — Sheryl Lane
(74) *Attorney, Agent, or Firm* — Robert C. Montgomery; Montgomery Patent & Design, LP

(57) **CLAIM**

The ornamental design for a rake with a wrist attachment, as shown and described.

DESCRIPTION

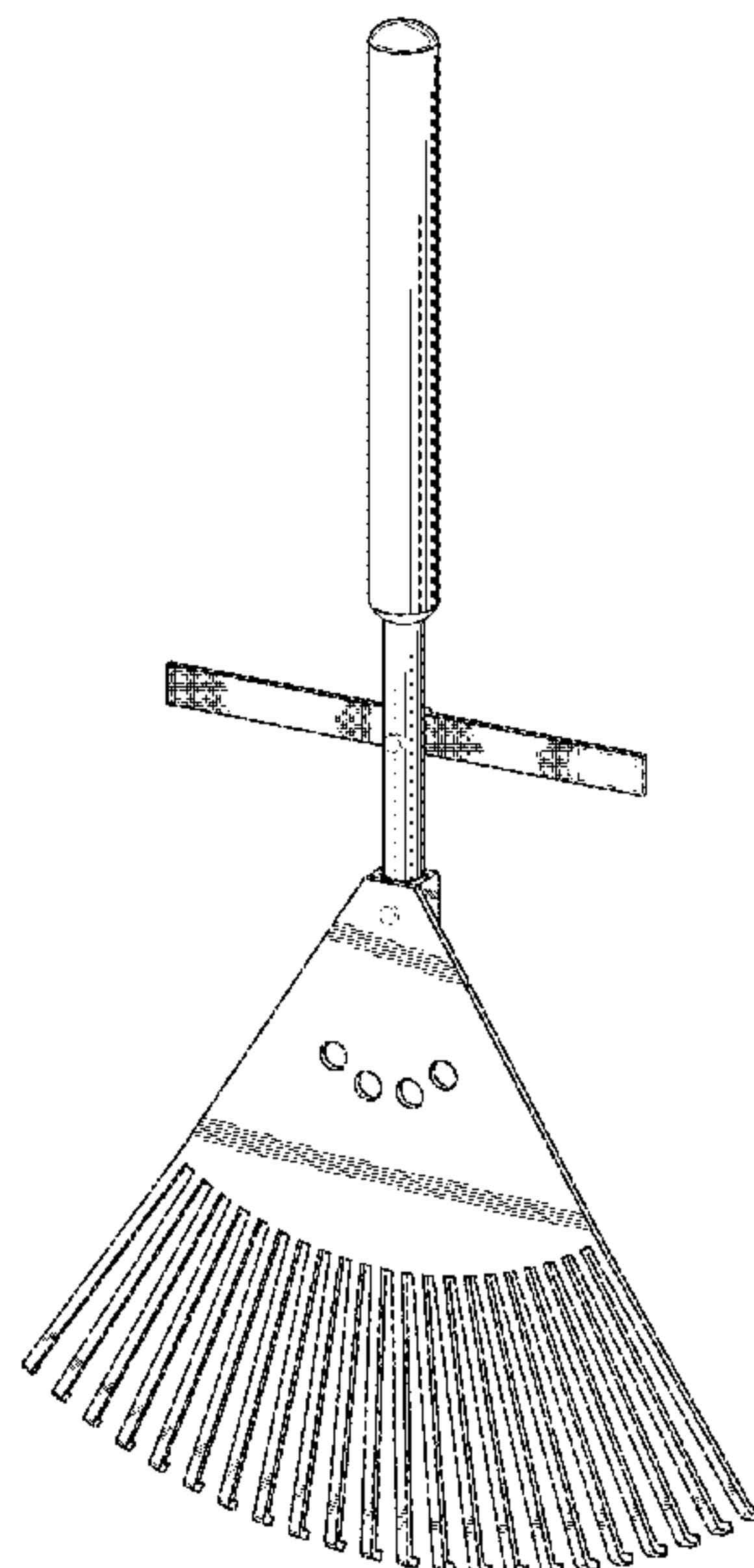
FIG. 1 is a perspective front view of the rake with a wrist attachment, showing my new design;
FIG. 2 is a front view thereof;
FIG. 3 is a rear view thereof;
FIG. 4 is a left side view thereof;
FIG. 5 is a right side view thereof;
FIG. 6 is a top view thereof; and,
FIG. 7 is bottom view thereof.
The broken lines represent portions of the rake and form no part of the claimed design.

(56) **References Cited**

U.S. PATENT DOCUMENTS

2,180,544 A 11/1939 Nissen
3,724,188 A * 4/1973 Eads A01D 7/00
56/400.17
4,378,670 A 4/1983 Check et al.
D293,196 S * 12/1987 Germain D8/13
4,866,922 A 9/1989 Clark
5,498,046 A 3/1996 Ridley, Sr. et al.
D369,073 S * 4/1996 Sun D8/13
5,687,556 A 11/1997 Lintz
5,706,640 A 1/1998 Tyrrell
D391,132 S * 2/1998 Gandee D8/13

1 Claim, 6 Drawing Sheets



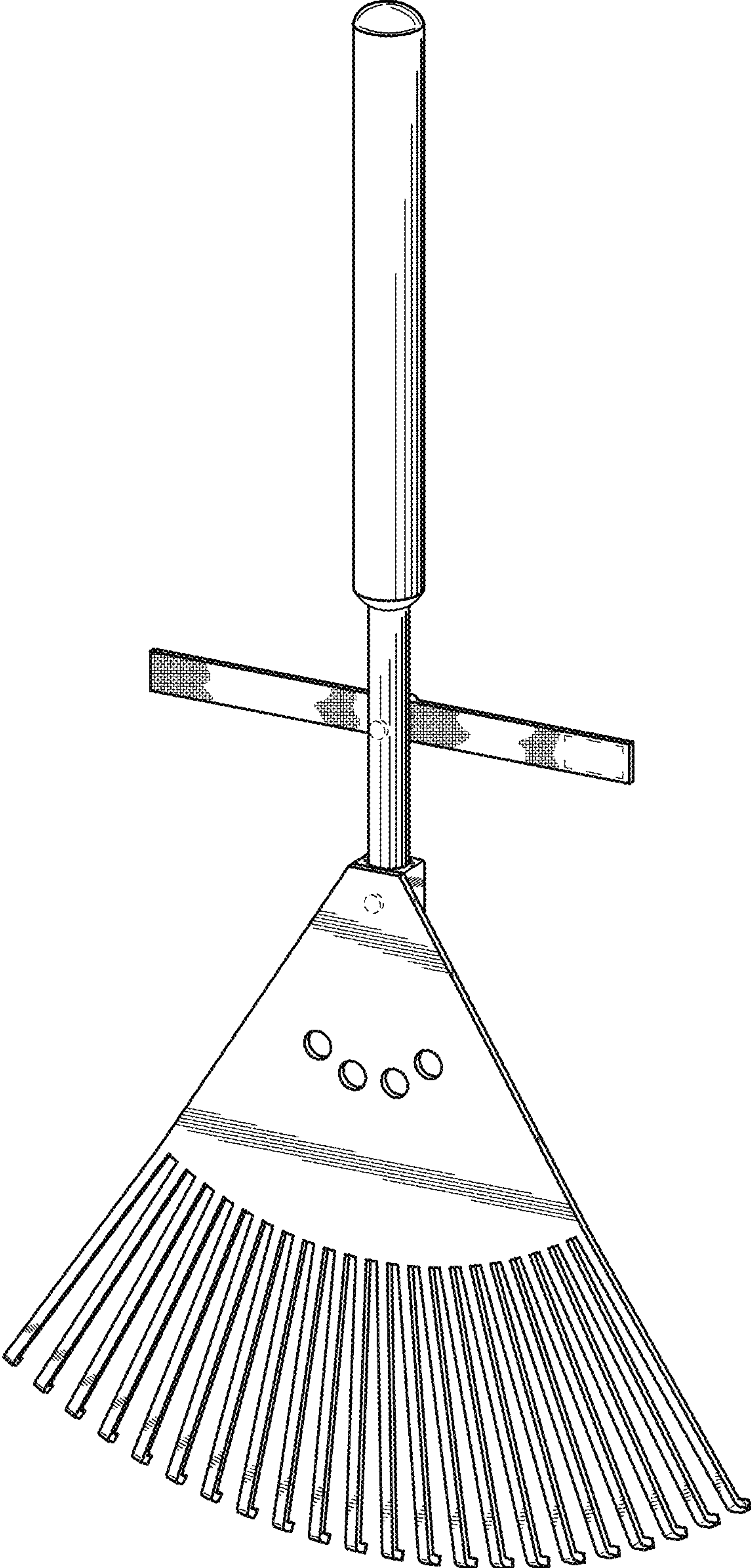


Fig. 1

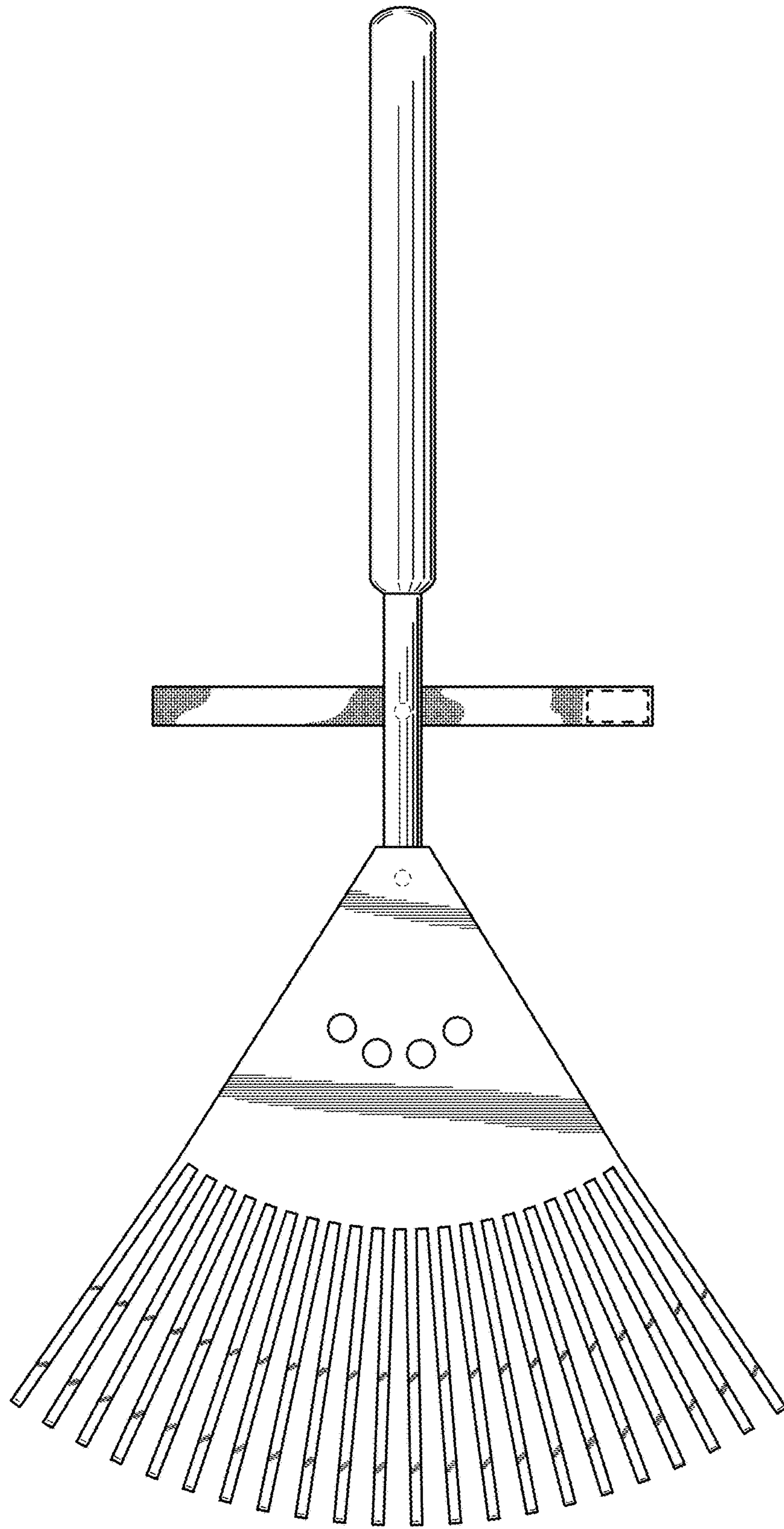


Fig. 2

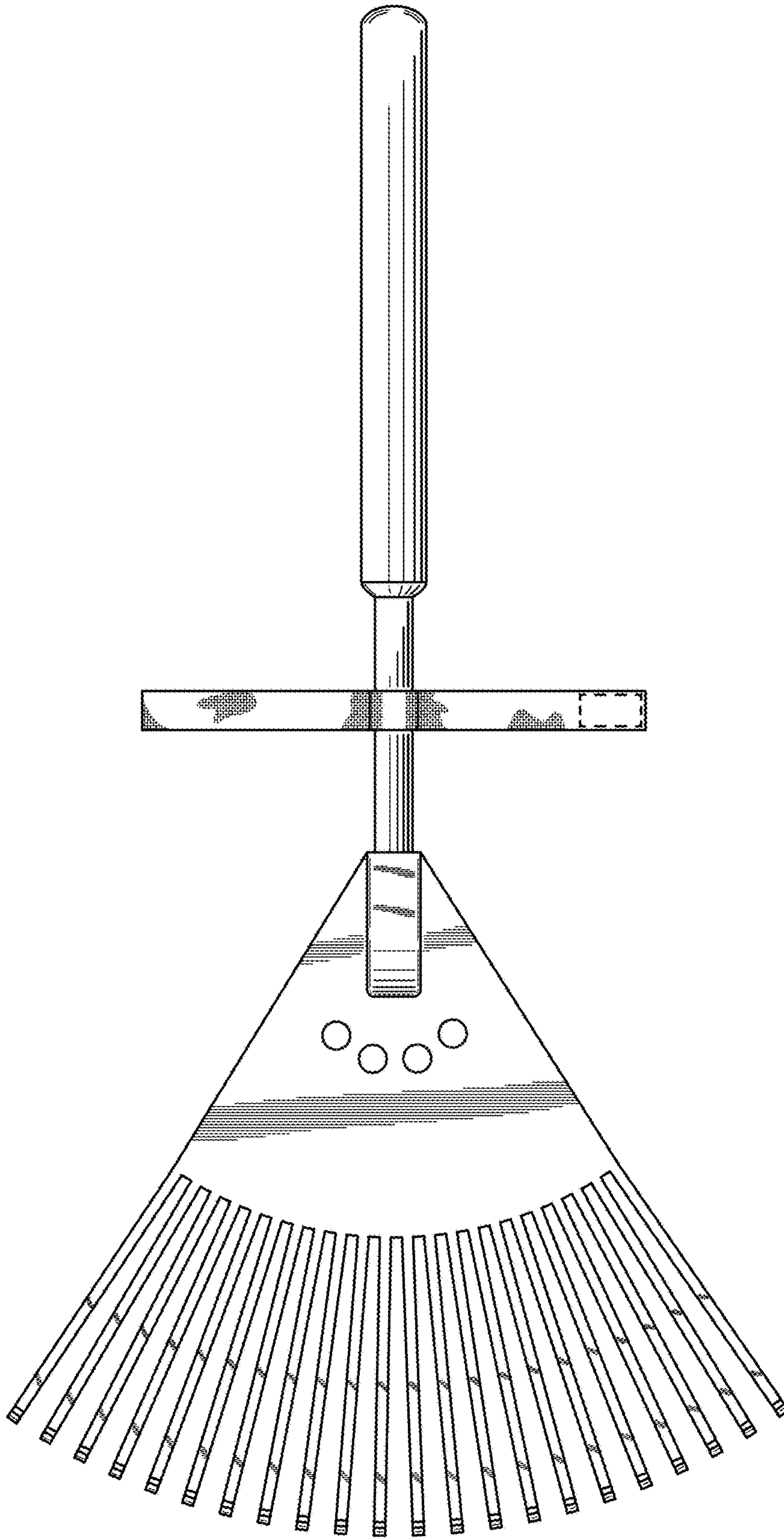


Fig. 3

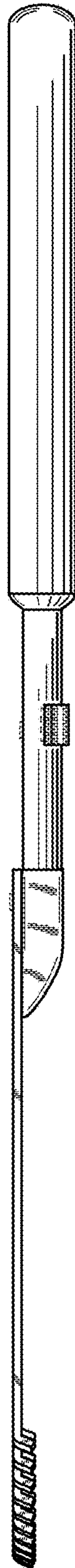


Fig. 4

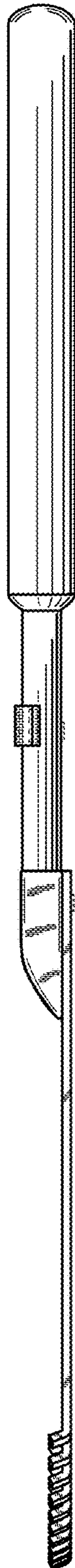


Fig. 5

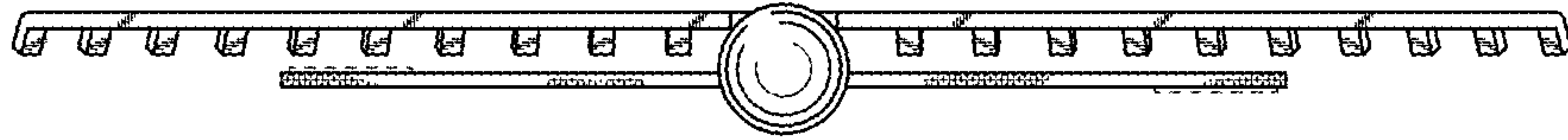


Fig. 6

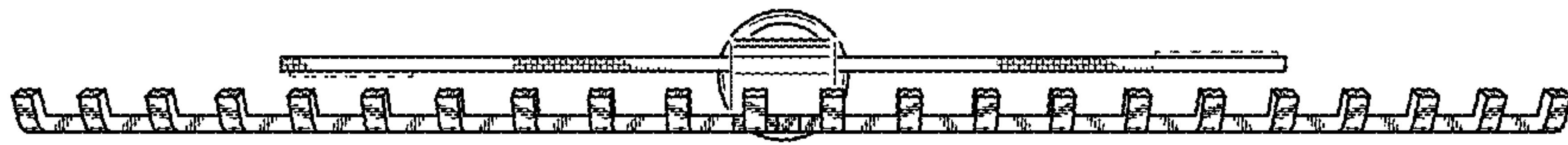


Fig. 7