



US00D793187S

(12) **United States Design Patent** (10) **Patent No.:** **US D793,187 S**  
**Henry** (45) **Date of Patent:** **\*\* Aug. 1, 2017**

(54) **SHOVEL**  
(71) Applicant: **Dell Henry**, West Orange, NJ (US)  
(72) Inventor: **Dell Henry**, West Orange, NJ (US)  
(\*\*) Term: **15 Years**  
(21) Appl. No.: **29/575,752**  
(22) Filed: **Aug. 29, 2016**  
(51) **LOC (10) Cl.** ..... **08-01**  
(52) **U.S. Cl.**  
USPC ..... **D8/10**  
(58) **Field of Classification Search**  
USPC ..... D8/1, 7, 10, 13; D21/532; D4/118  
CPC .... A01B 1/00; A01B 1/20; A01B 1/22; A01B  
1/026; A01B 1/02; B25G 1/102; E01H  
5/00; E01H 5/02; E01H 5/061; Y10T  
16/476; Y10T 16/4713; Y10S 16/19;  
B25F 1/00  
See application file for complete search history.

(56) **References Cited**  
U.S. PATENT DOCUMENTS  
3,014,750 A \* 12/1961 Briggs ..... A01B 1/026  
294/58  
4,198,090 A \* 4/1980 Gutman ..... A01B 1/22  
16/429  
4,231,604 A \* 11/1980 Obergfell ..... A01B 1/02  
294/58  
RE32,948 E \* 6/1989 Lapshansky ..... A01B 1/222  
294/51  
5,133,101 A \* 7/1992 Hauser ..... A47L 13/24  
15/143.1  
D345,640 S \* 3/1994 Galati ..... D32/49  
D356,259 S \* 3/1995 Hoyt ..... D8/14

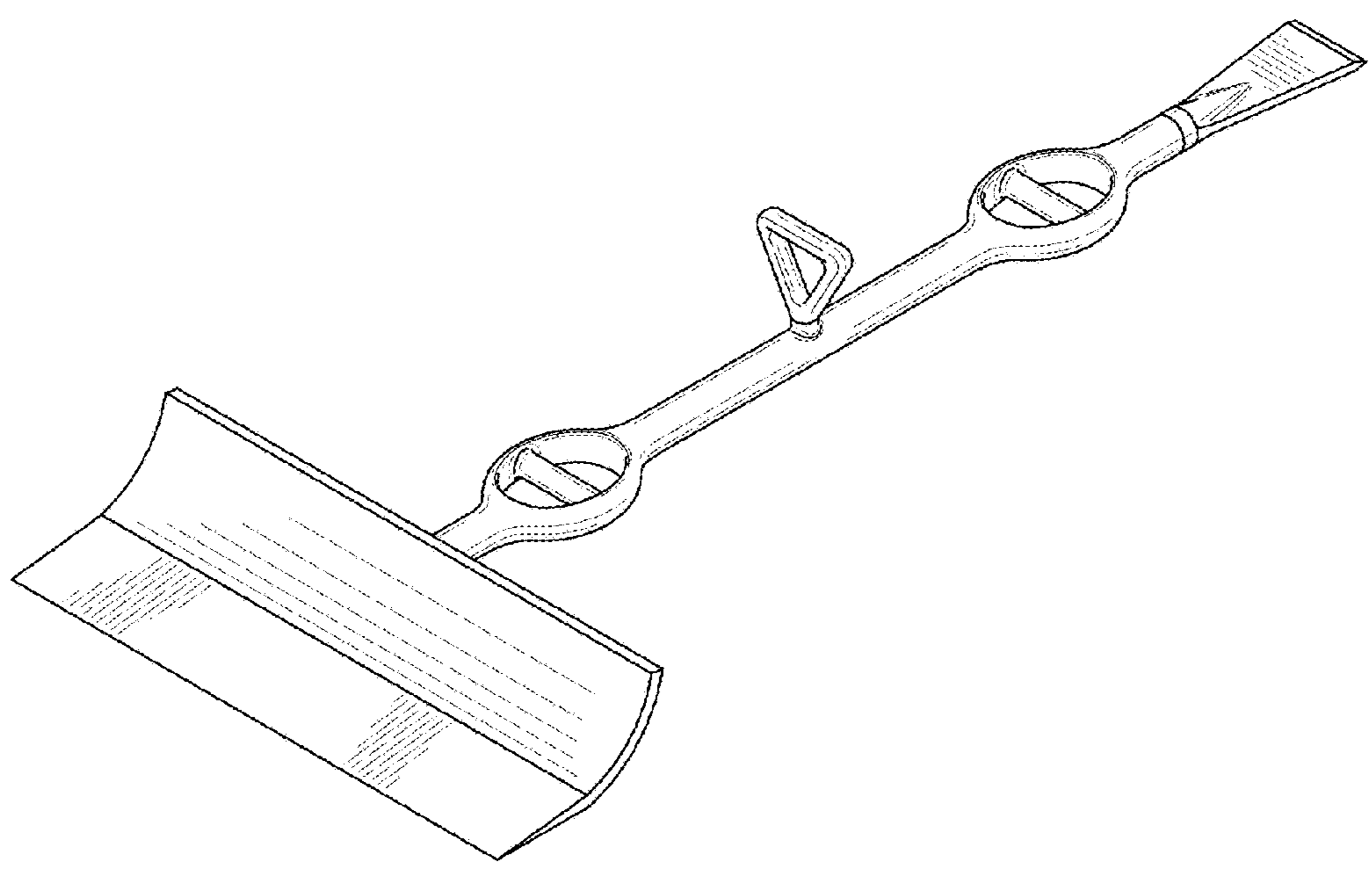
6,203,081 B1 \* 3/2001 Kegan, Sr. .... A01B 1/028  
254/131.5  
D520,819 S \* 5/2006 Onembo ..... D8/10  
D617,159 S \* 6/2010 Blanchard ..... D8/10  
8,740,272 B2 \* 6/2014 Walden ..... A01B 1/026  
294/58  
D765,480 S \* 9/2016 Walden ..... D8/10  
9,498,877 B1 \* 11/2016 Henry ..... B25F 1/00  
2005/0184542 A1 \* 8/2005 Moreschini ..... E01H 5/02  
294/54.5  
2007/0187964 A1 \* 8/2007 Marble ..... E01H 5/02  
294/51  
2011/0115242 A1 \* 5/2011 McNab ..... E01H 5/02  
294/54.5  
2013/0193700 A1 \* 8/2013 Walden ..... A01B 1/026  
294/58  
2017/0121921 A1 \* 5/2017 Herbon ..... A01B 1/02

\* cited by examiner  
*Primary Examiner* — Sandra Snapp  
*Assistant Examiner* — Ieisha Price  
(74) *Attorney, Agent, or Firm* — Michael J. Feigin, Esq.;  
Feigin and Fridman

(57) **CLAIM**  
The ornamental design for a shovel, as shown and described.

**DESCRIPTION**  
FIG. 1 is a top and side perspective view of the shovel.  
FIG. 2 is a bottom and side perspective view thereof.  
FIG. 3 is a top plan view thereof.  
FIG. 4 is a bottom plan view thereof.  
FIG. 5 is an elevation view thereof, the opposite side being  
a mirror image thereof.  
FIG. 6 is a front view thereof; and,  
FIG. 7 is a back view thereof.

**1 Claim, 6 Drawing Sheets**



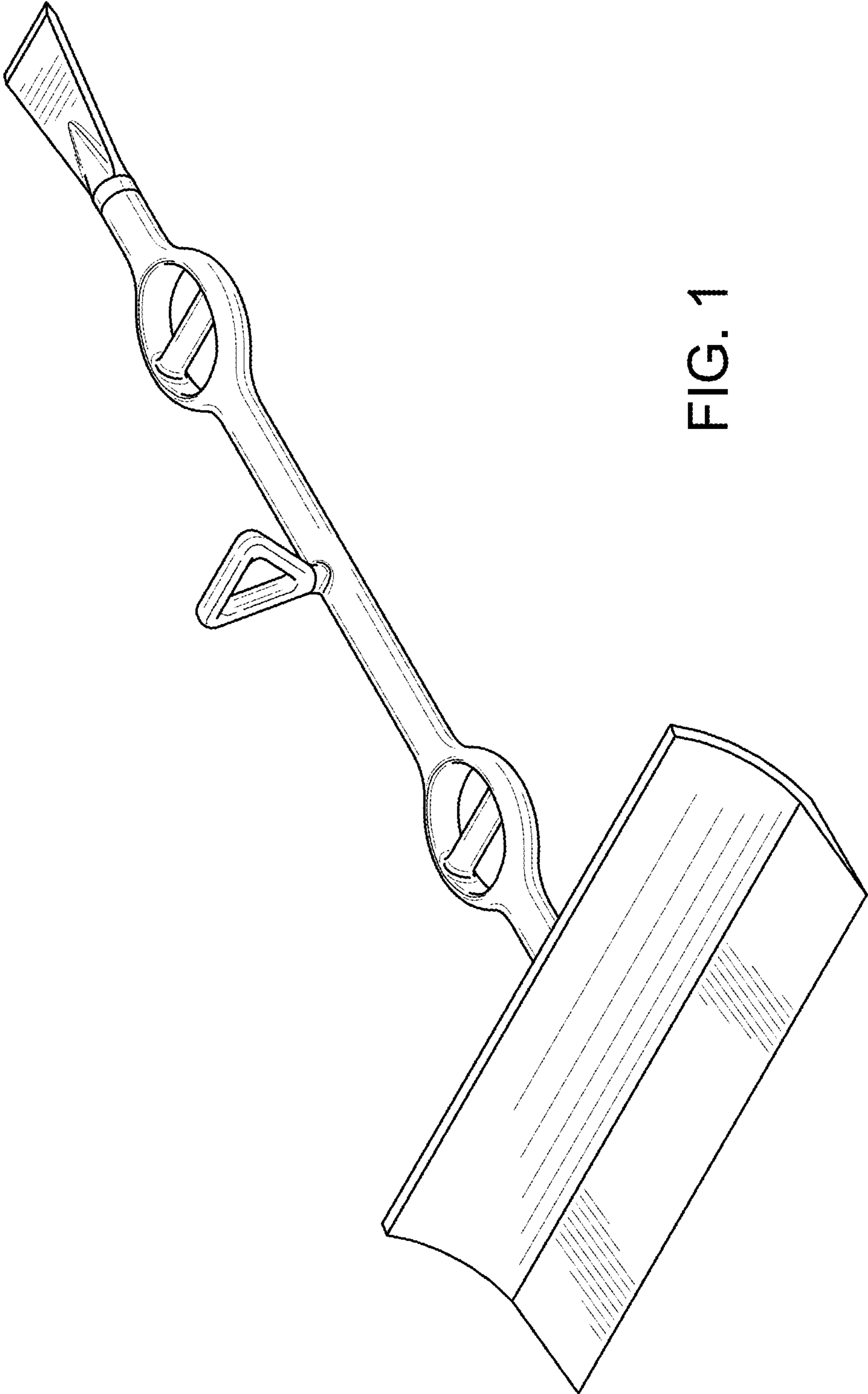


FIG. 1

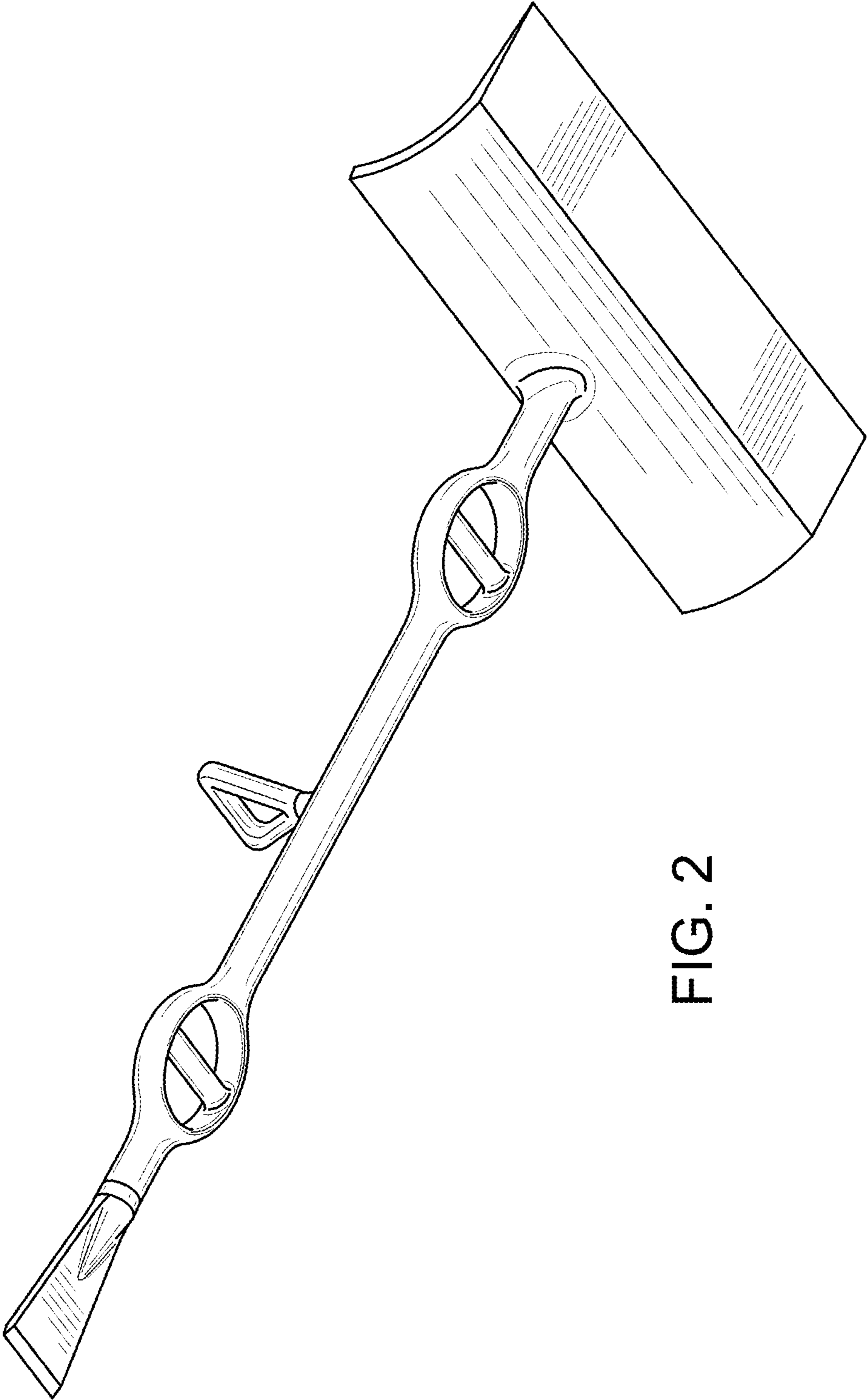


FIG. 2

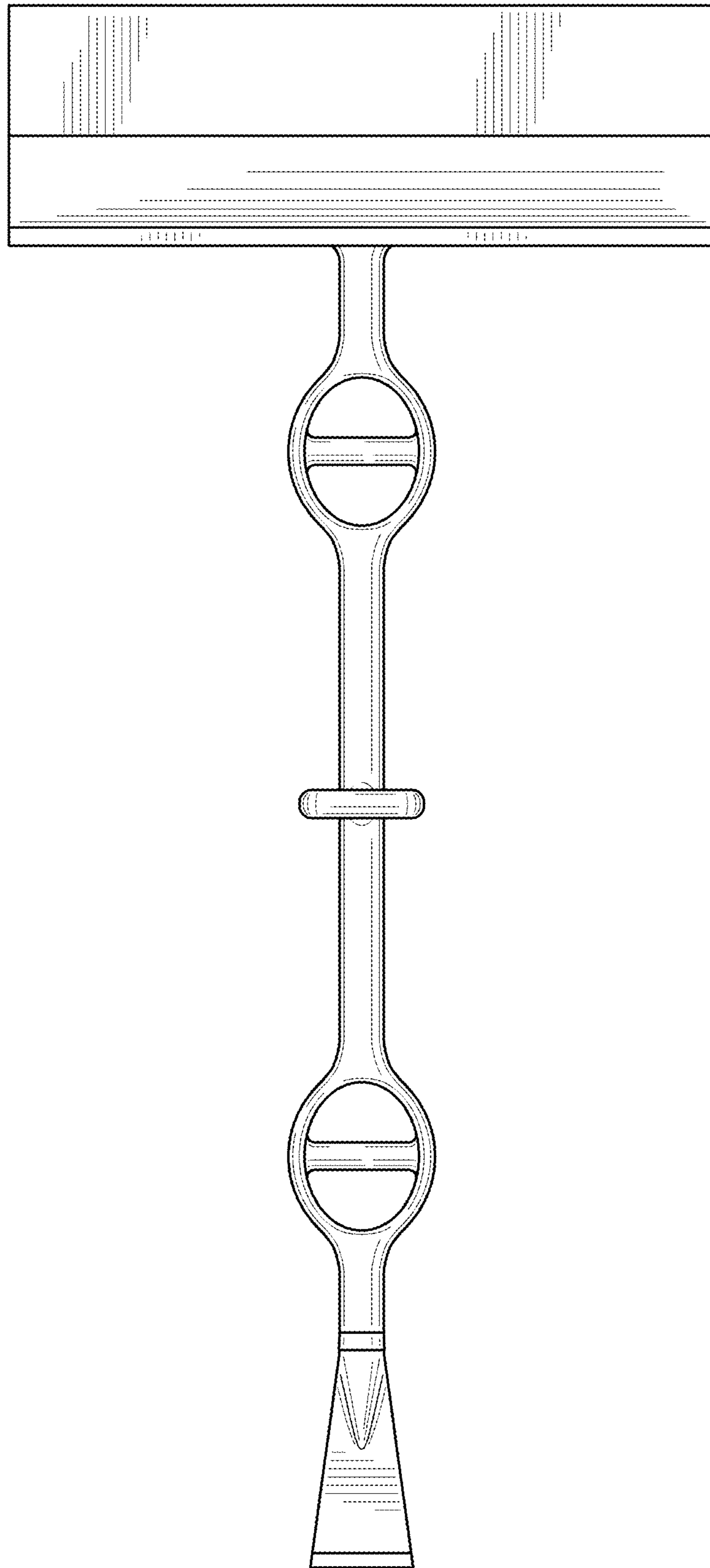


FIG. 3

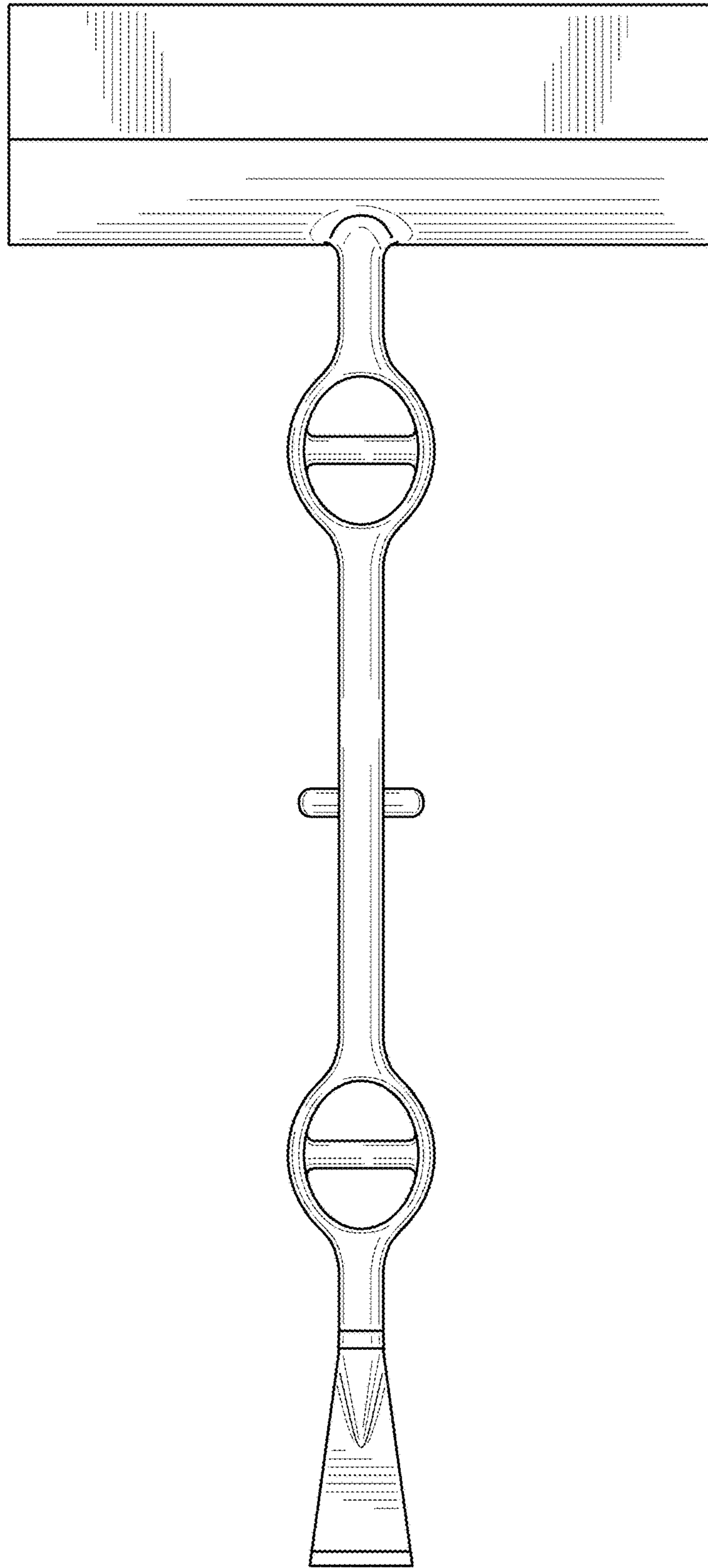


FIG. 4

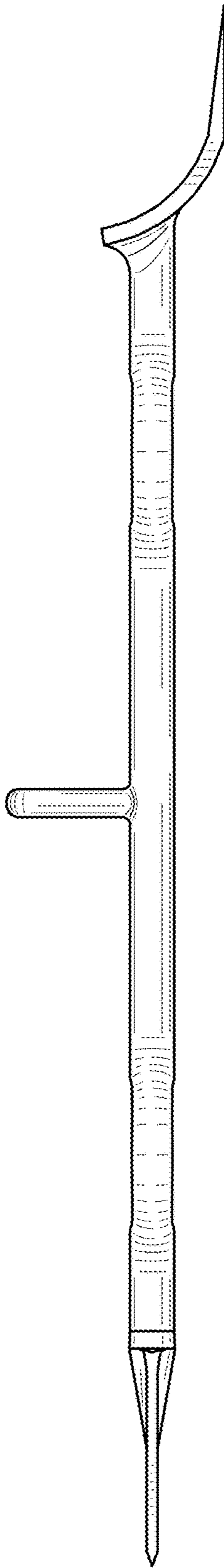


FIG. 5

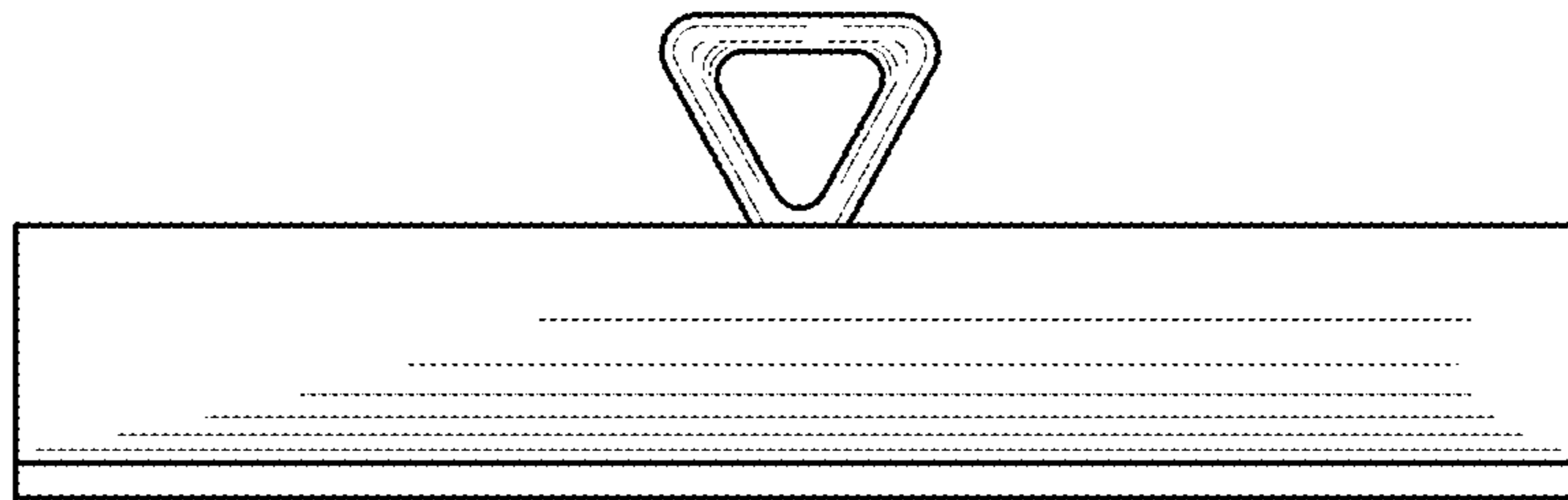


FIG. 6

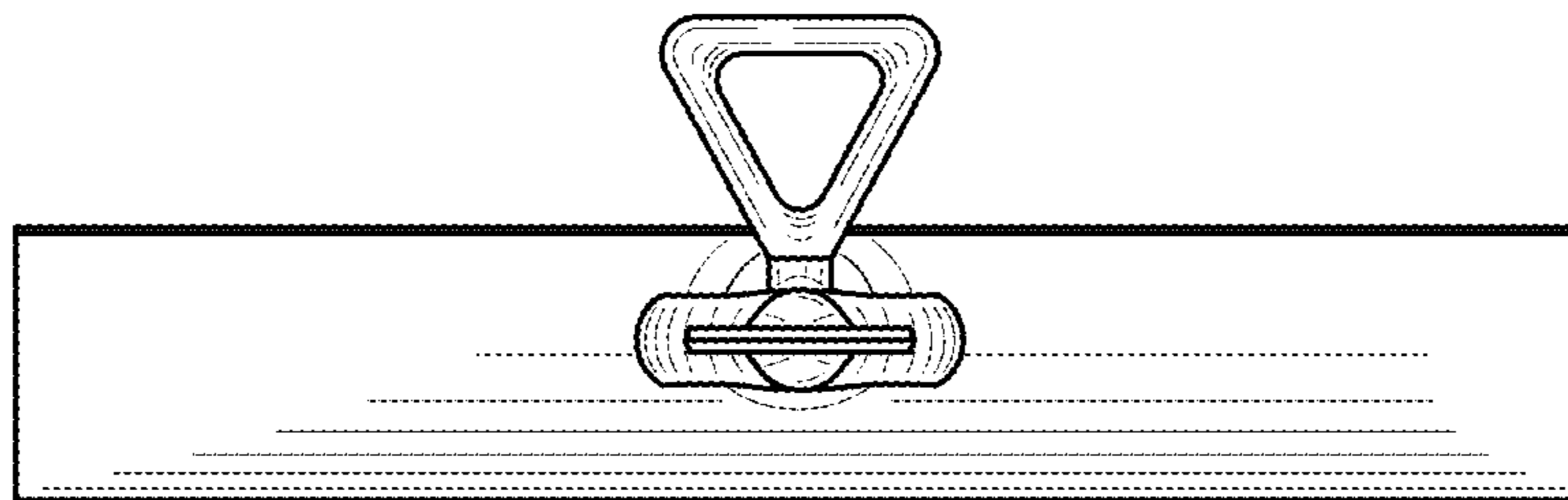


FIG. 7