

US00D793186S

(12) **United States Design Patent** (10) **Patent No.:** **US D793,186 S**
Tinius (45) **Date of Patent:** **** Aug. 1, 2017**

(54) **OPERATING HANDLE**

(71) Applicant: **Andreas Stihl AG & Co. KG**,
Waiblingen (DE)

(72) Inventor: **Michael Tinius**, Ulm (DE)

(73) Assignee: **Andreas Stihl AG & Co. KG**,
Waiblingen (DE)

(**) Term: **14 Years**

(21) Appl. No.: **29/523,110**

(22) Filed: **Apr. 7, 2015**

(30) **Foreign Application Priority Data**

Dec. 23, 2014 (EM) 002604991-0006

(51) **LOC (10) Cl.** **08-01**

(52) **U.S. Cl.**
USPC **D8/1**

(58) **Field of Classification Search**
USPC D8/1, 6-8, 107
CPC B25G 1/10; B25G 3/34; B26B 23/00
See application file for complete search history.

(56) **References Cited**

U.S. PATENT DOCUMENTS

D255,640 S	7/1980	Pittinger, Jr.	
D300,601 S	4/1989	Himbert et al.	
D314,664 S	2/1991	Bonanno	
D325,857 S	5/1992	Hasegawa et al.	
D372,053 S	7/1996	Couch et al.	
D378,798 S	4/1997	Berti	
D389,706 S	1/1998	Haberlein et al.	
D396,624 S *	8/1998	Basilus	D8/107
D413,784 S *	9/1999	Tsai	D8/107
D414,088 S	9/1999	Juratovac et al.	
D468,618 S *	1/2003	Ho	D8/107
6,581,246 B1	6/2003	Polette	
D487,216 S	3/2004	Arvidsson et al.	

D538,613 S	3/2007	Murray	
D540,028 S	4/2007	You	
D545,660 S *	7/2007	Robinson	D8/107
D552,948 S *	10/2007	Aglassinger	D8/8
D580,237 S	11/2008	Bradford	
D581,753 S	12/2008	Harris	
D582,735 S	12/2008	Bochmann et al.	

(Continued)

Primary Examiner — Sheryl Lane
(74) *Attorney, Agent, or Firm* — McGuireWoods LLP

(57) **CLAIM**

I claim the ornamental design for an operating handle, as shown and described.

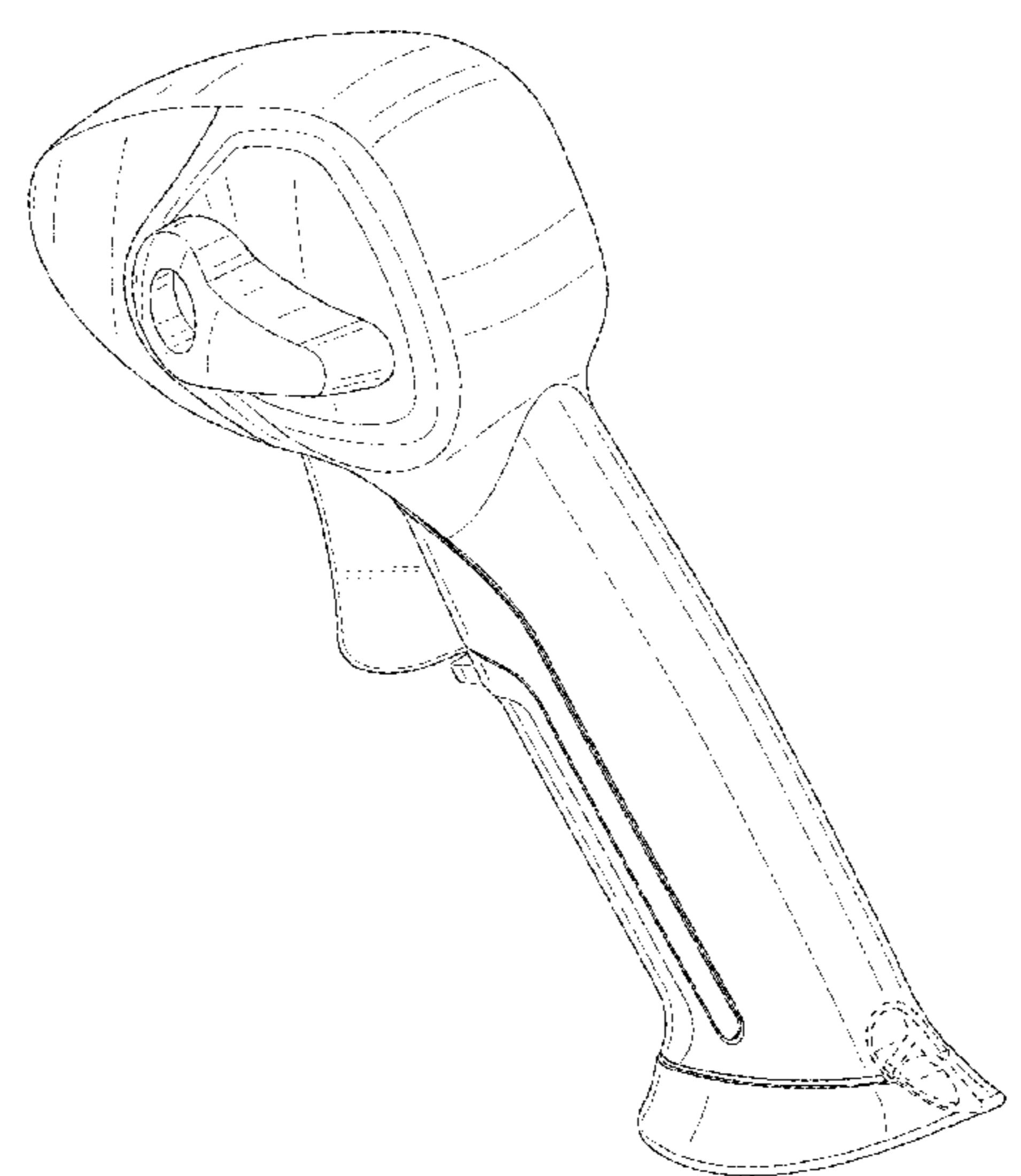
DESCRIPTION

The present application also relates to U.S. design patent application Ser. No. 29/523,105, filed Apr. 7, 2015, titled “Operating Handle”, and U.S. design patent application Ser. No. 29/525,083, filed Apr. 27, 2015, titled “Backpack Blower”.

FIG. 1 is a right-rear perspective view of the operating handle;
FIG. 2 is a right-top perspective view of the operating handle shown in FIG. 1;
FIG. 3 is a front view of the operating handle shown in FIG. 1;
FIG. 4 is a rear view of the operating handle shown in FIG. 1;
FIG. 5 is a left side view of the operating handle shown in FIG. 1;
FIG. 6 is a right side view of the operating handle shown in FIG. 1;
FIG. 7 is a top view of the operating handle shown in FIG. 1; and,
FIG. 8 is a bottom view of the operating handle shown in FIG. 1.

The broken lines represent portions of the operating handle and form no part of the claimed design.

1 Claim, 8 Drawing Sheets



(56)

References Cited

U.S. PATENT DOCUMENTS

D625,970 S	10/2010	Tinius
D625,971 S	10/2010	Tinius
D633,352 S	3/2011	Davidson et al.
D648,997 S	11/2011	Allan et al.
D662,800 S	7/2012	Blythe et al.
D682,649 S	5/2013	Aglassinger
D690,569 S	10/2013	Tinius
D692,287 S	10/2013	Tinius

* cited by examiner

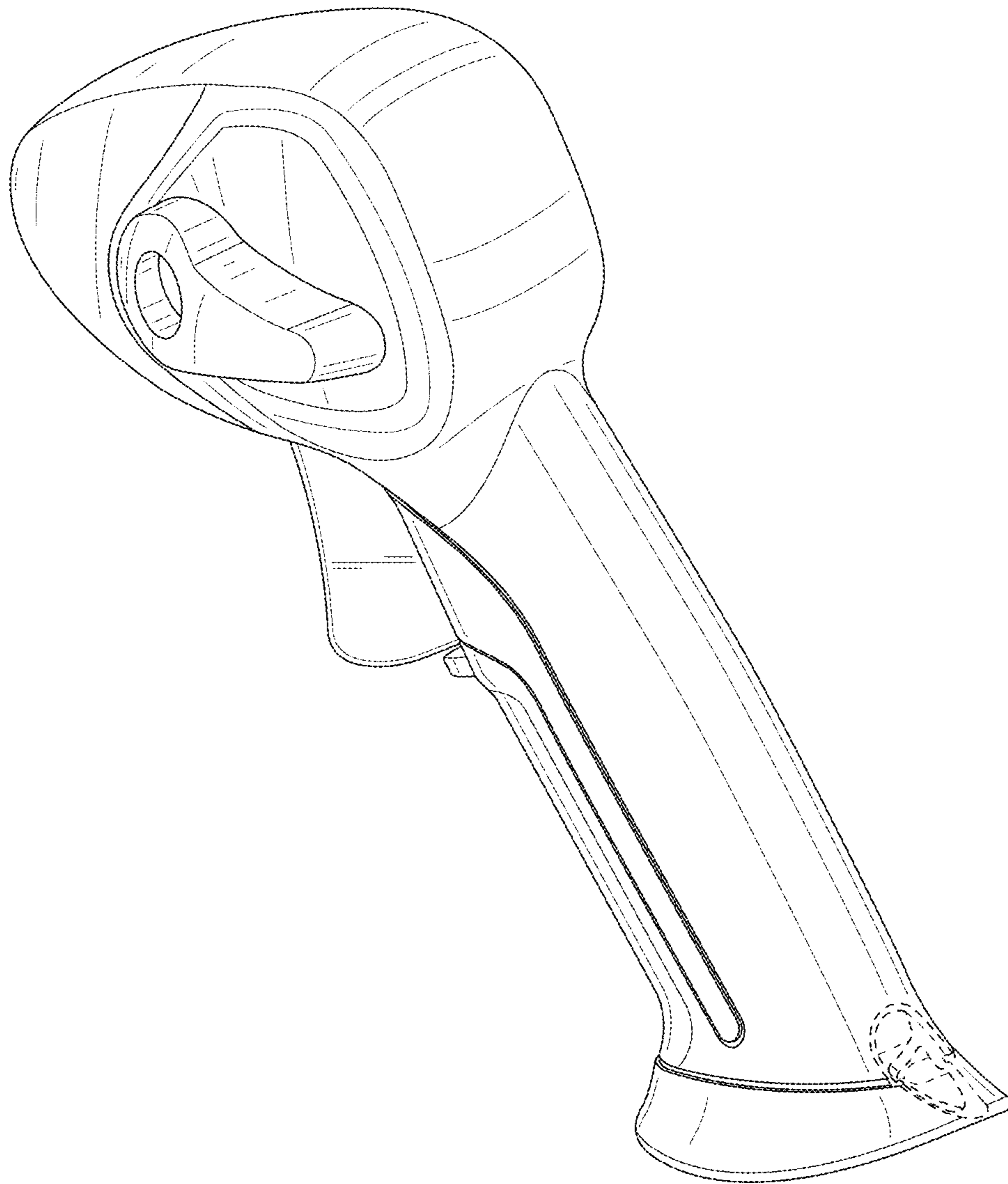


FIG. 1

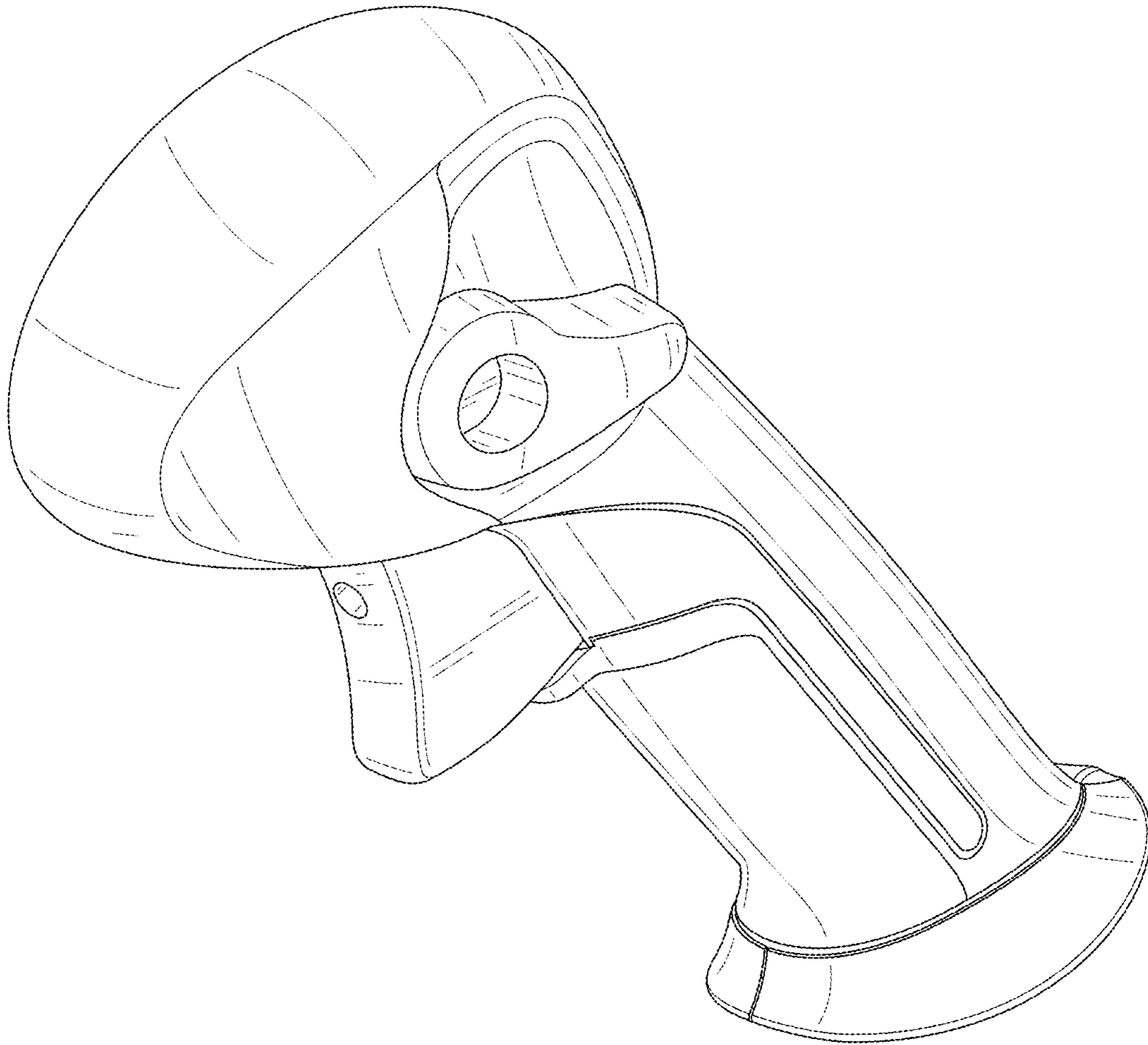


FIG. 2

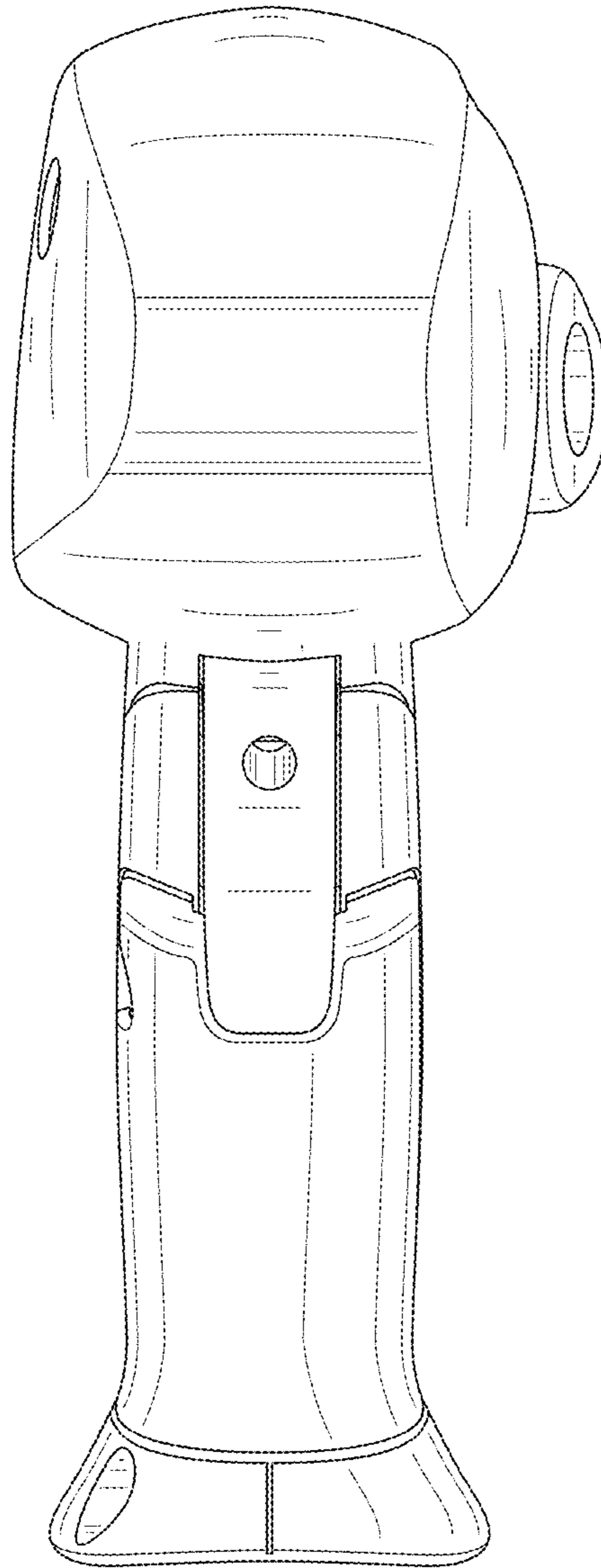


FIG. 3

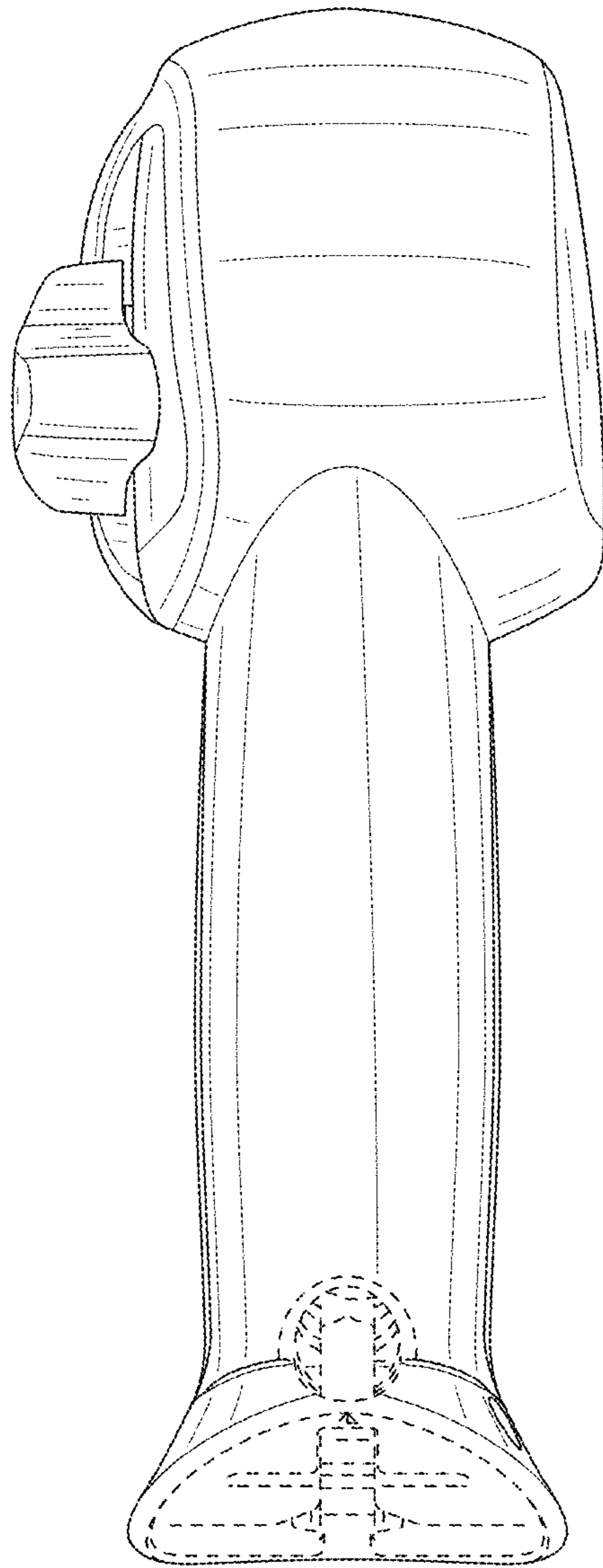


FIG. 4

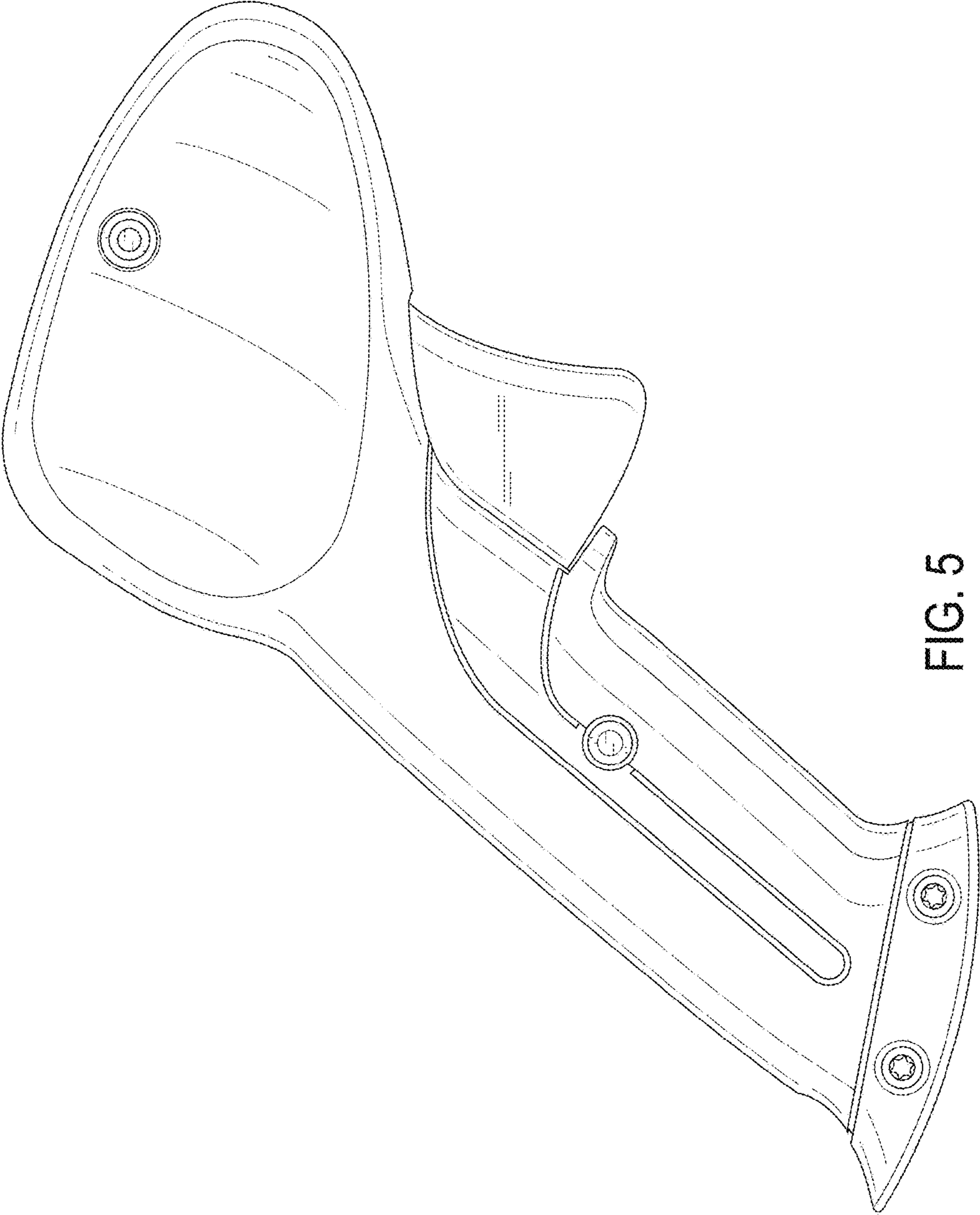


FIG. 5

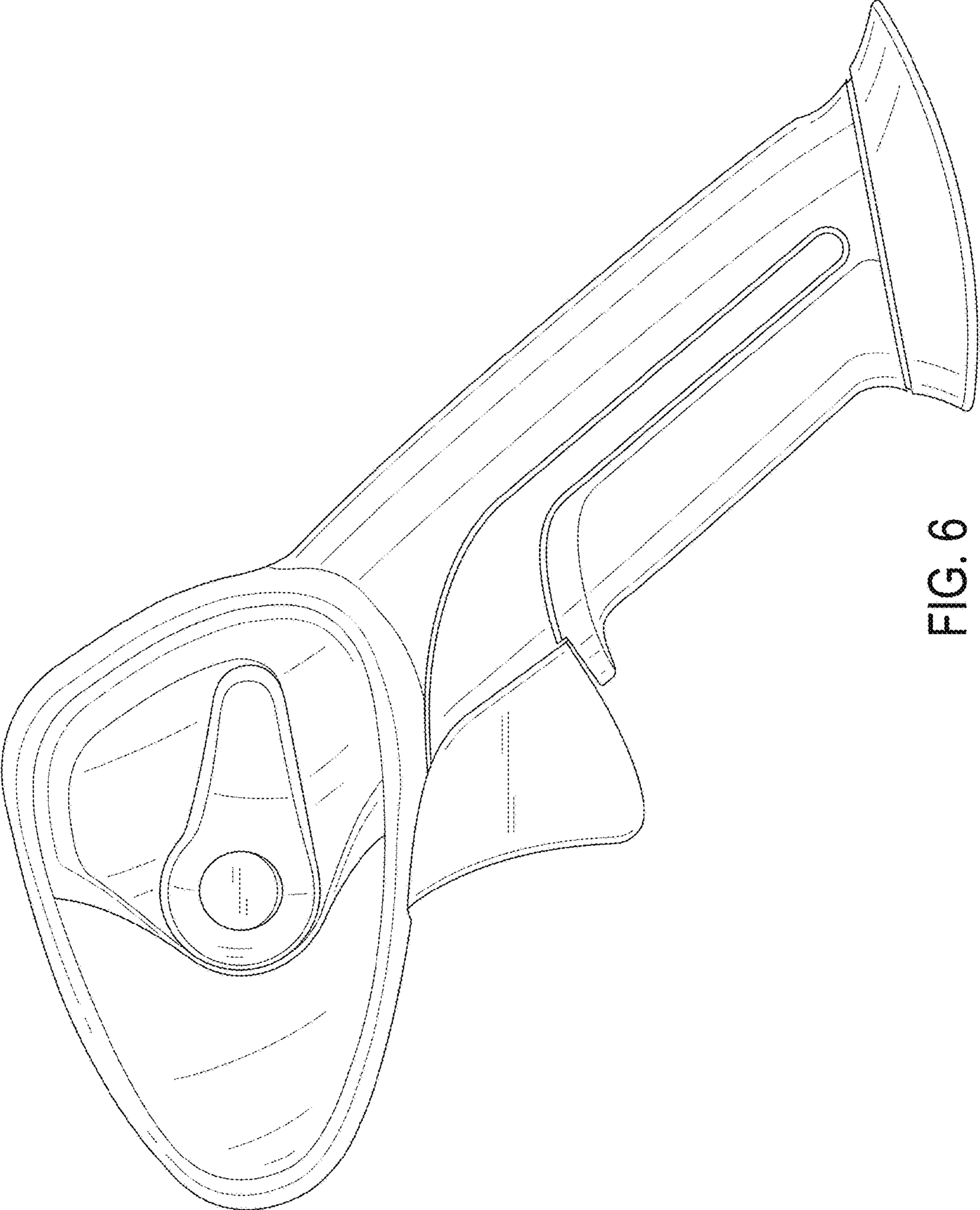


FIG. 6

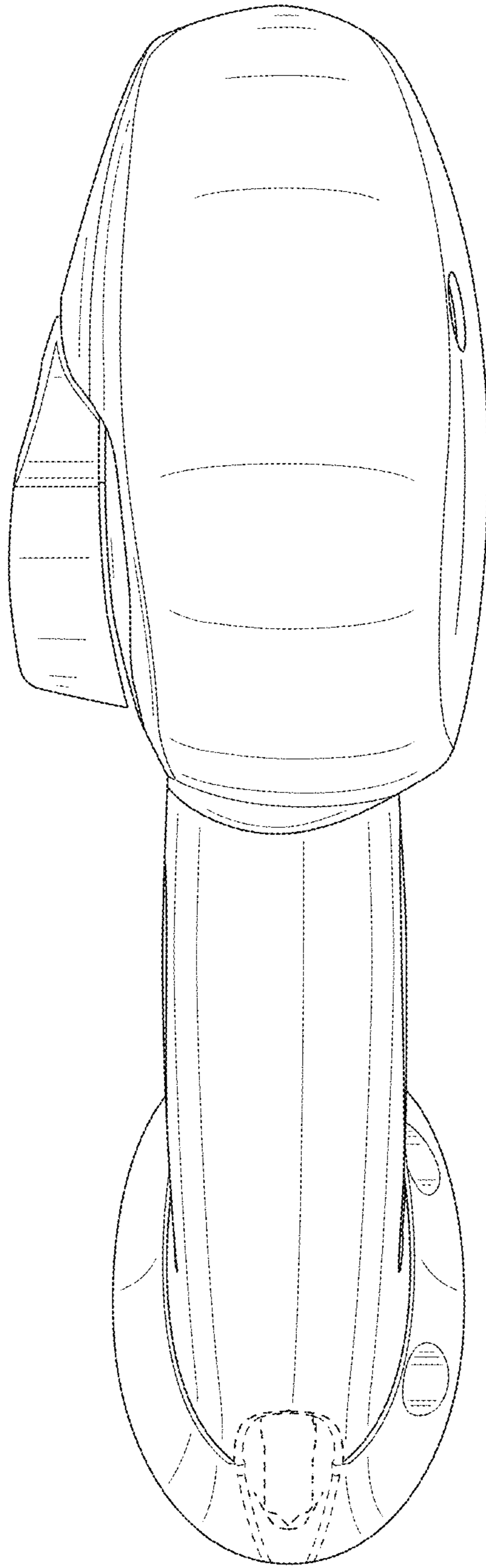


FIG. 7

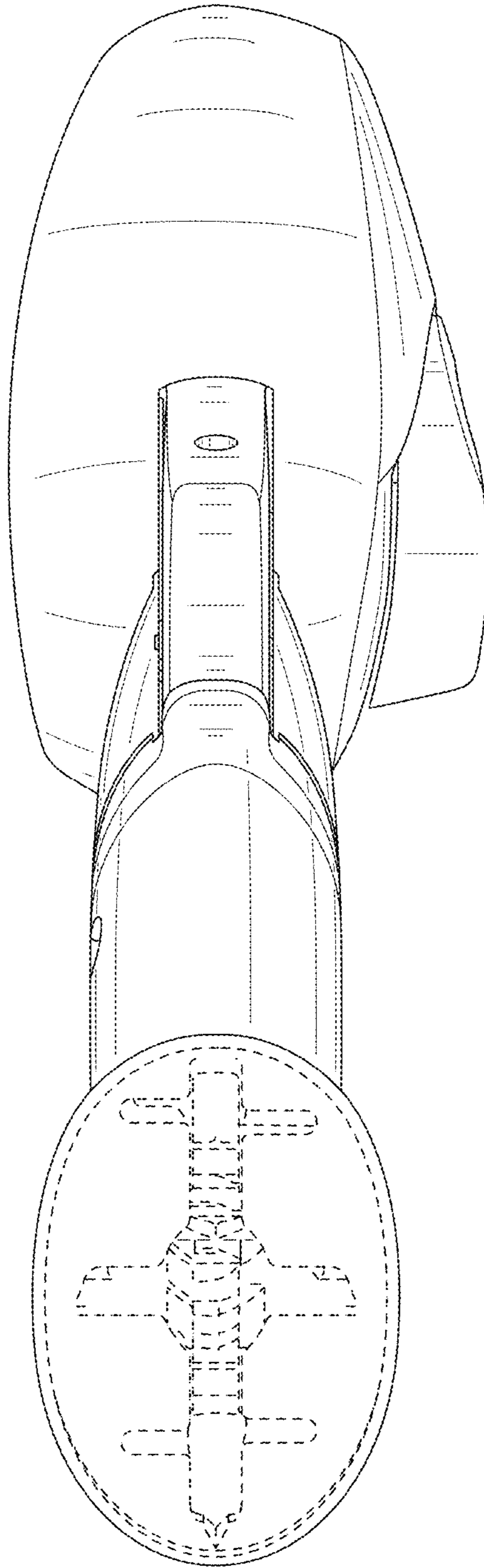


FIG. 8