



US00D793183S

(12) **United States Design Patent** (10) **Patent No.:** **US D793,183 S**  
**Joseph** (45) **Date of Patent:** **\*\* Aug. 1, 2017**

(54) **DISK**  
(71) Applicant: **JOSEPH JOSEPH LTD**, London (GB)  
(72) Inventor: **Antony Joseph**, London (GB)  
(73) Assignee: **Joseph Joseph Ltd.**, London (GB)

(\*\*) Term: **15 Years**

(21) Appl. No.: **29/562,288**

(22) Filed: **Apr. 25, 2016**

(30) **Foreign Application Priority Data**

Oct. 27, 2015 (EM) ..... 002837997-0002  
(51) **LOC (10) Cl.** ..... **07-04**  
(52) **U.S. Cl.**  
USPC ..... **D7/694**  
(58) **Field of Classification Search**  
USPC ..... D7/693, 694; D8/51, 98, 99; D3/18  
CPC ..... B26B 25/005; B26B 25/00; B26B 5/003;  
B26D 7/2621  
See application file for complete search history.

(56) **References Cited**

**U.S. PATENT DOCUMENTS**

D307,094 S \* 4/1990 Belokin ..... D7/694  
D496,836 S \* 10/2004 Steck ..... D7/696  
D519,334 S \* 4/2006 Molenaar ..... D7/694  
7,134,209 B1 \* 11/2006 Molenaar ..... B26D 7/2621  
30/307  
D614,460 S \* 4/2010 Grace ..... D7/694  
D652,271 S \* 1/2012 Moore ..... D7/694  
D750,453 S \* 3/2016 Popov ..... D7/694

2001/0029671 A1\* 10/2001 Young ..... B26B 25/005  
30/162  
2009/0144990 A1\* 6/2009 Gehlhausen ..... B26B 25/005  
30/319  
2010/0313432 A1\* 12/2010 Caswell ..... B26B 25/005  
30/301

\* cited by examiner

*Primary Examiner* — Terry Wallace

(74) *Attorney, Agent, or Firm* — Millen White Zelano & Branigan, P.C.

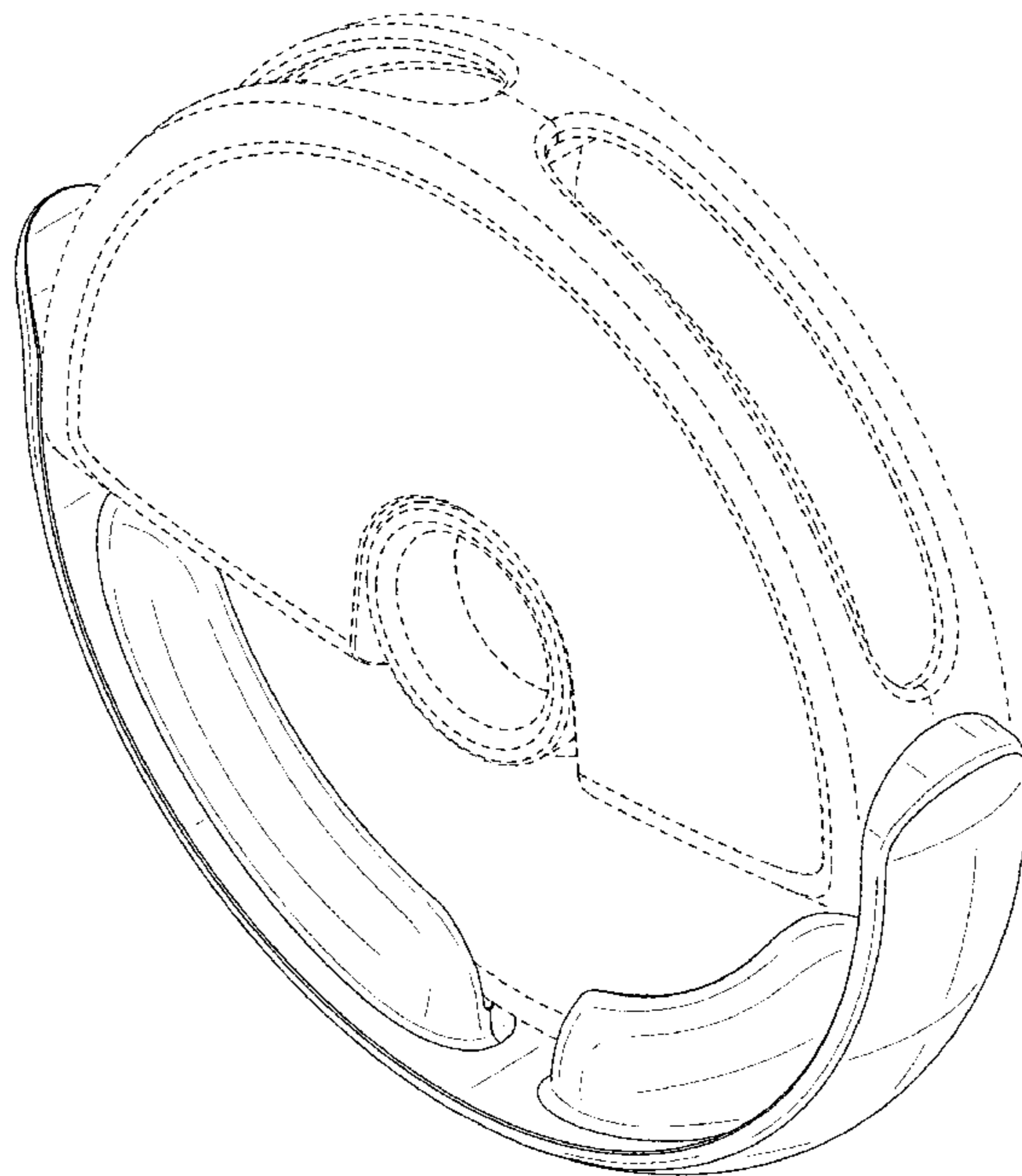
(57) **CLAIM**

The ornamental design for a disk, as shown and described.

**DESCRIPTION**

FIG. 1 is a top perspective view of the disk in a closed configuration showing my new design.  
FIG. 2 is a front view thereof in a closed configuration.  
FIG. 3 is a back view thereof in a closed configuration.  
FIG. 4 is a side view thereof in a closed configuration.  
FIG. 5 is another side view thereof in a closed configuration.  
FIG. 6 is a top view thereof in a closed configuration.  
FIG. 7 is a bottom view thereof in a closed configuration.  
FIG. 8 is a top perspective view thereof in an open configuration.  
FIG. 9 is a front view thereof in an open configuration.  
FIG. 10 is a back view thereof in an open configuration.  
FIG. 11 is a side view thereof in an open configuration.  
FIG. 12 is another side view thereof in an open configuration.  
FIG. 13 is a top view thereof in an open configuration; and,  
FIG. 14 is a bottom view thereof in an open configuration.  
The broken lines in the drawings illustrate portions of the disk which form no part of the claimed design.

**1 Claim, 14 Drawing Sheets**



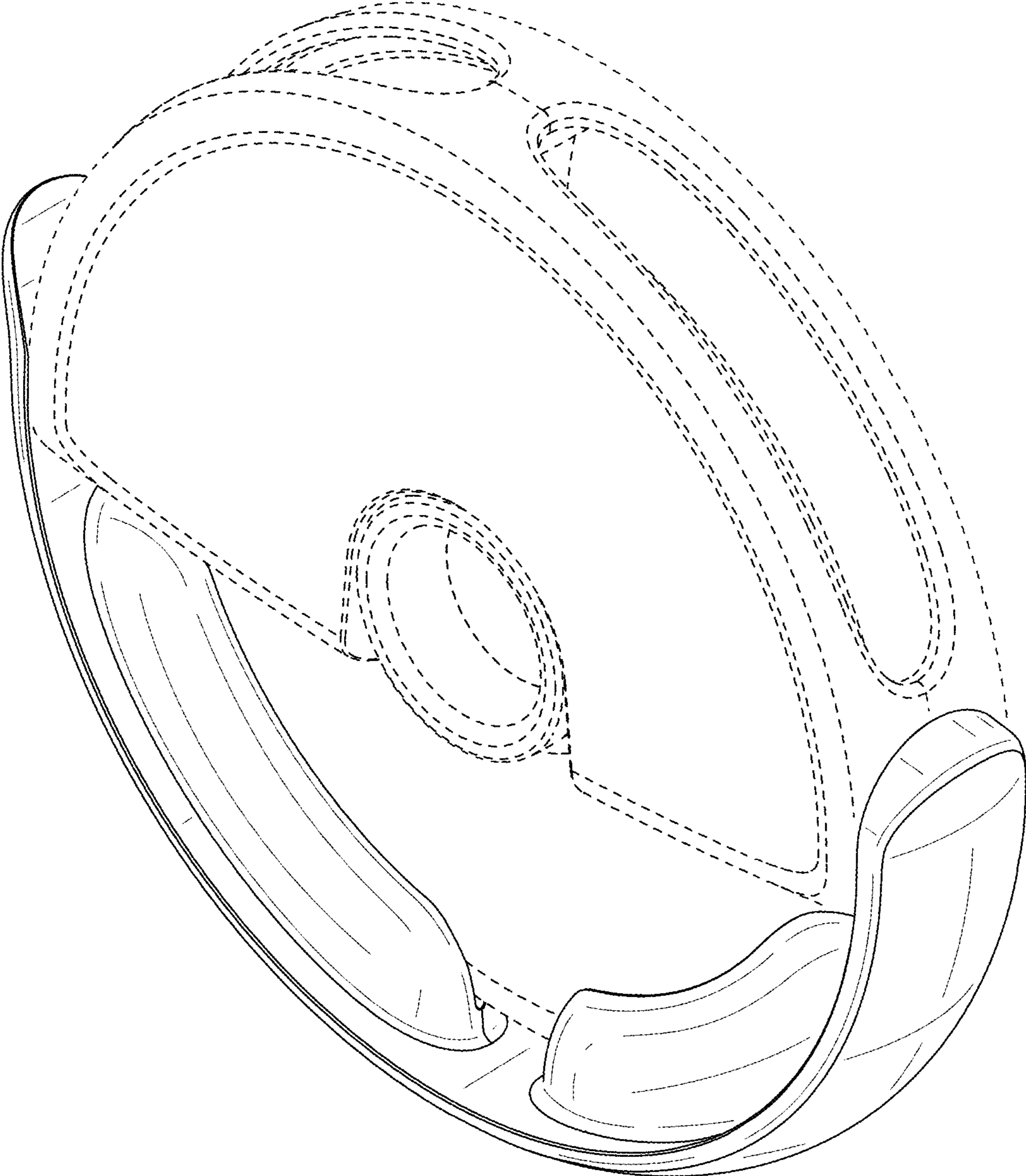


FIG. 1

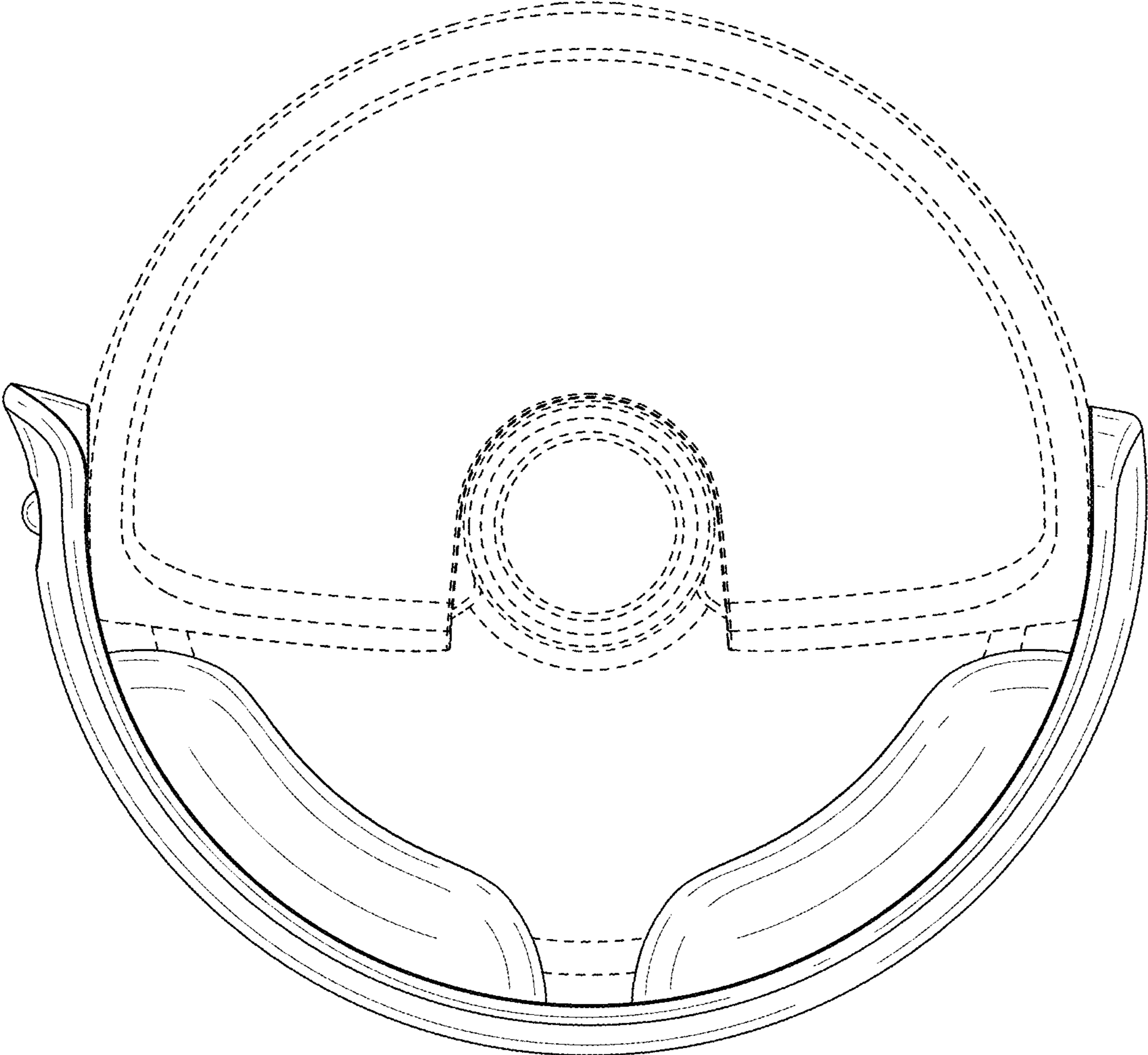


FIG. 2

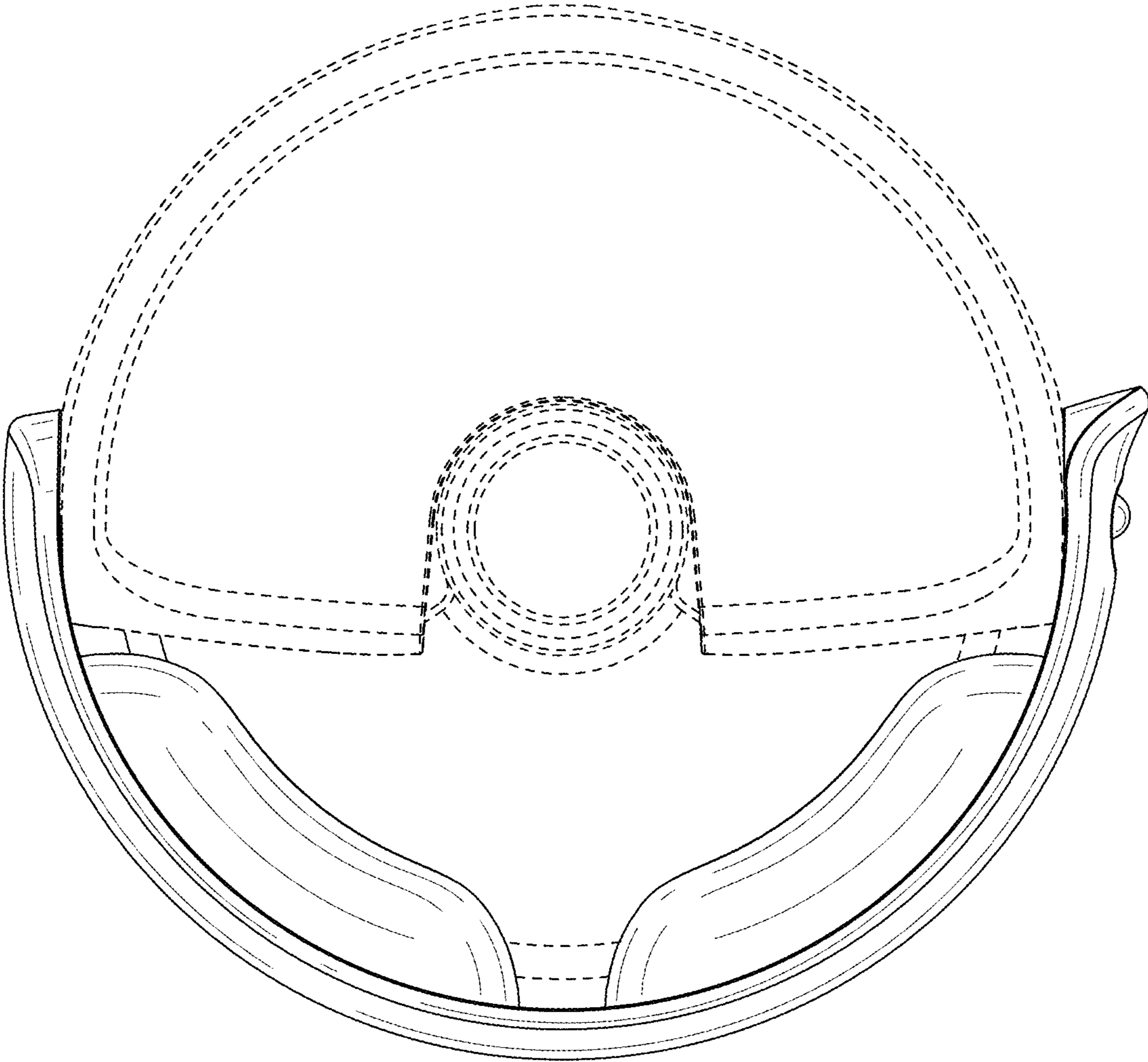


FIG. 3



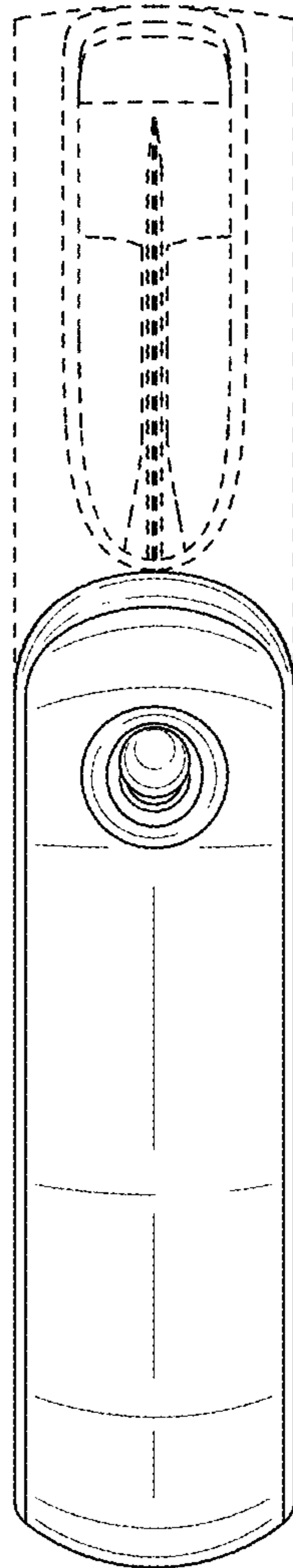


FIG. 4

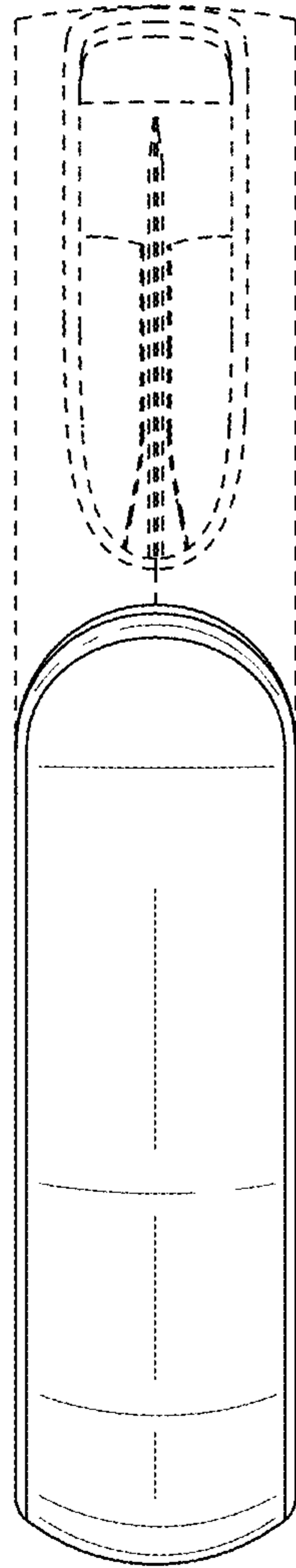


FIG. 5

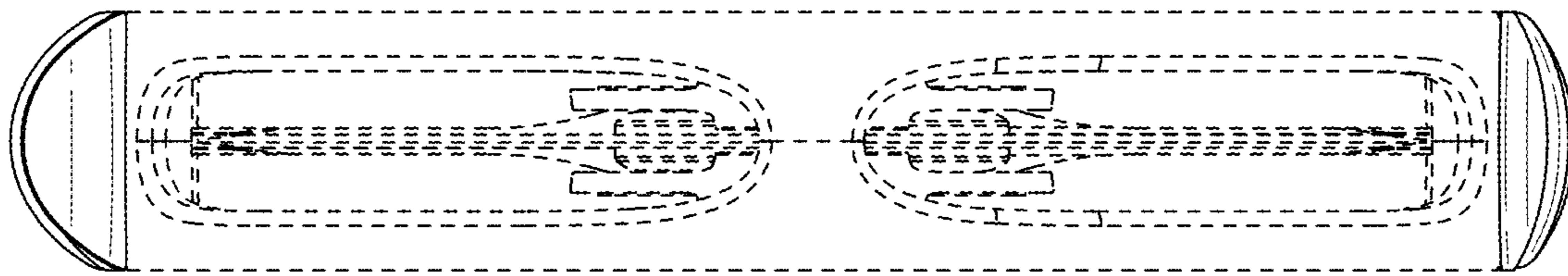


FIG. 6

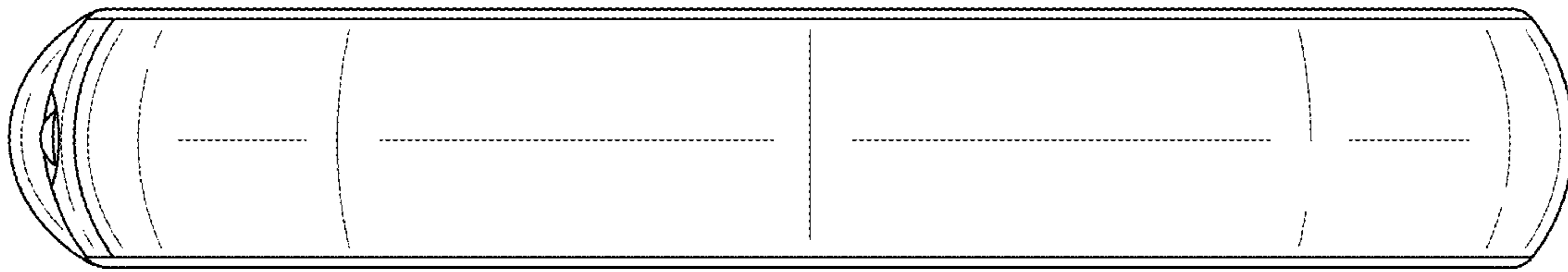


FIG. 7



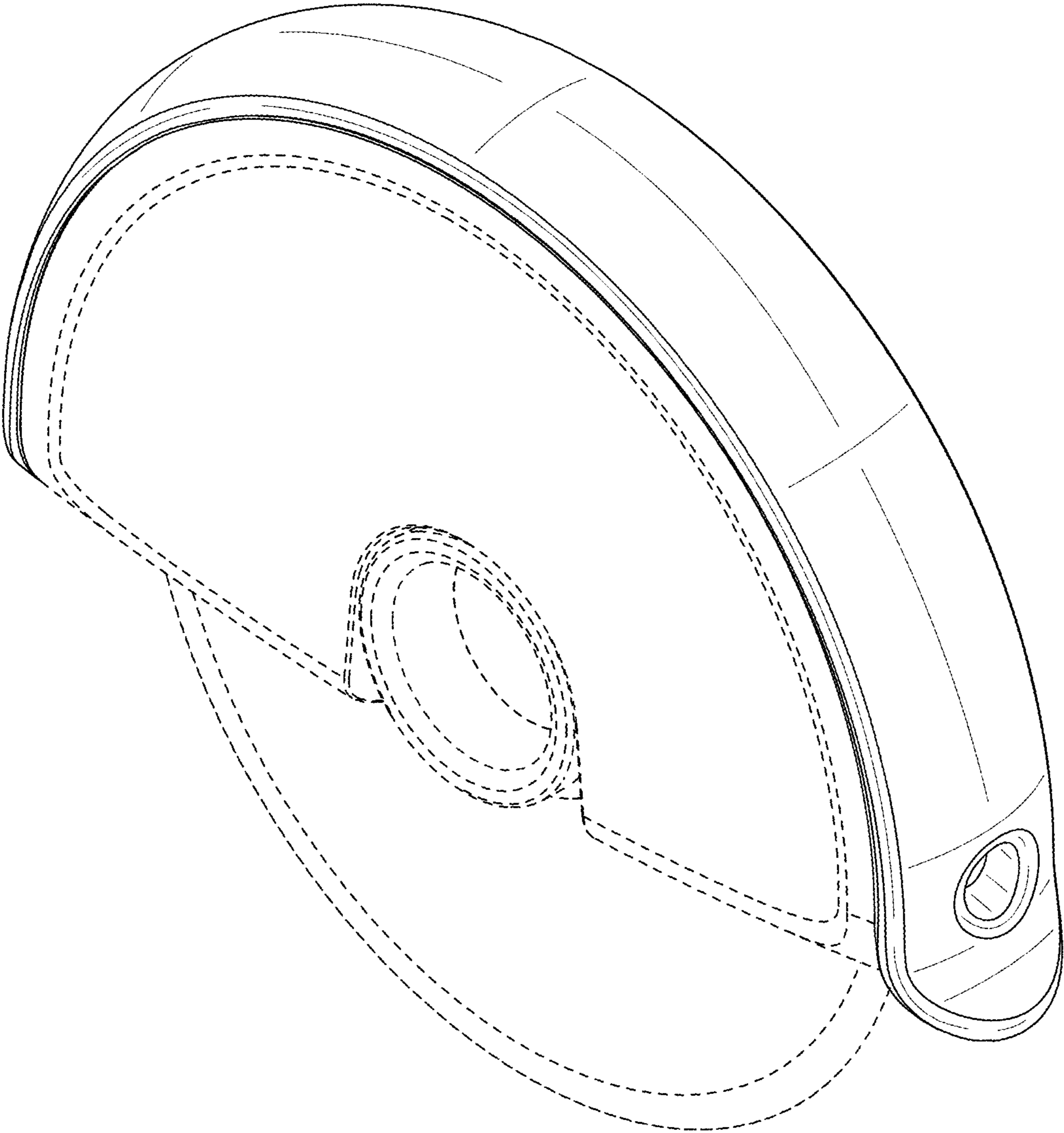


FIG. 8

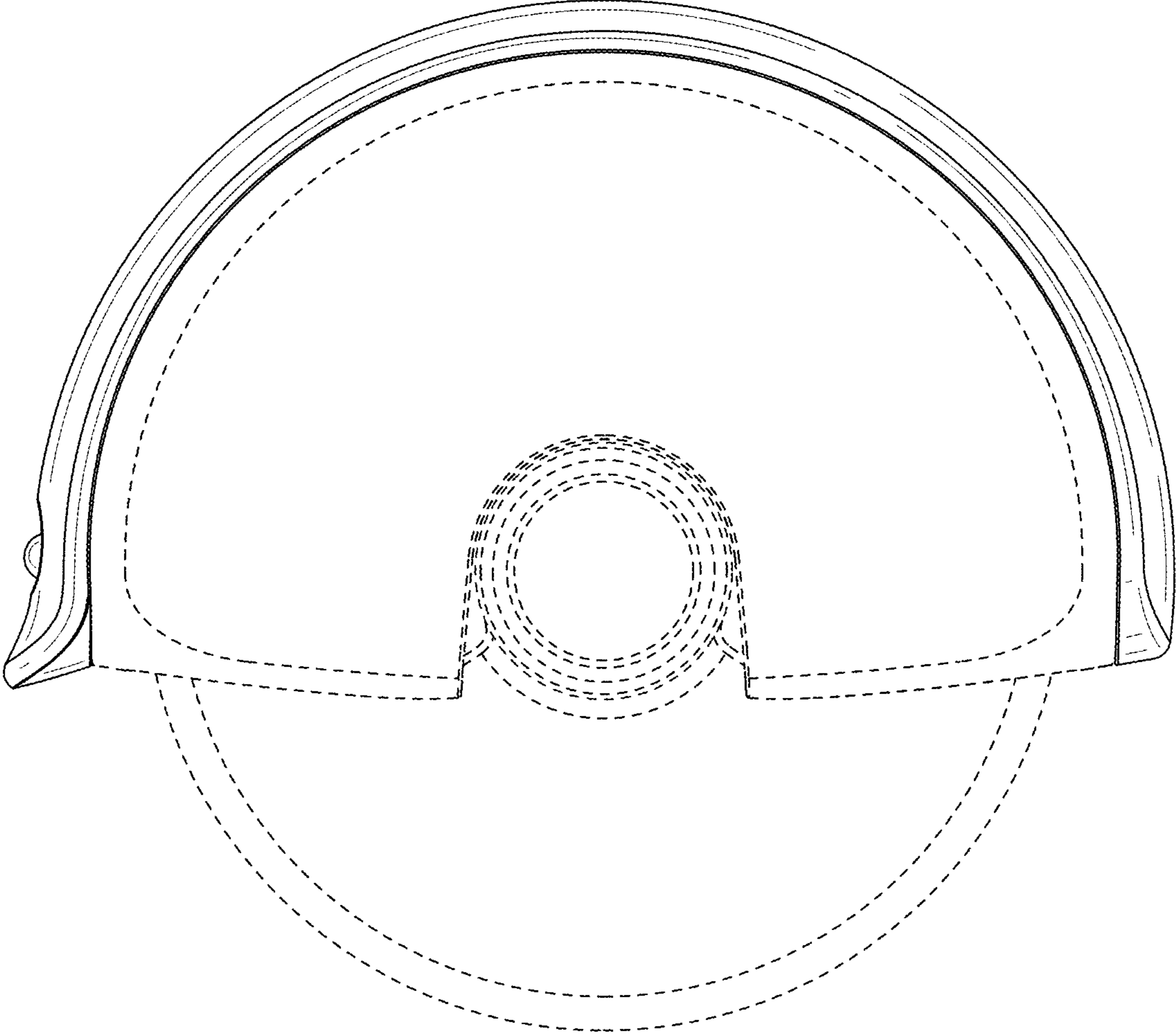


FIG. 9

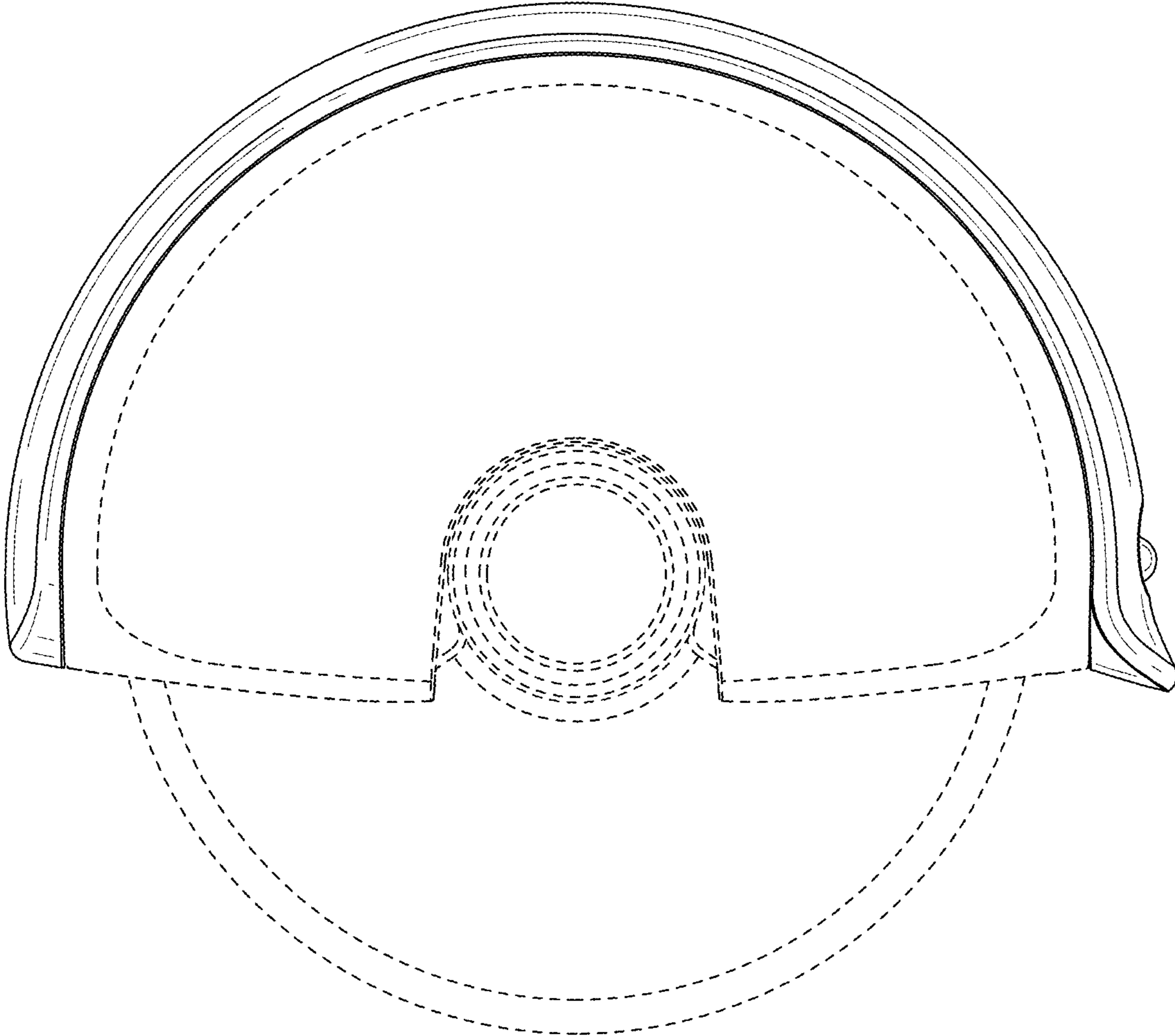


FIG. 10

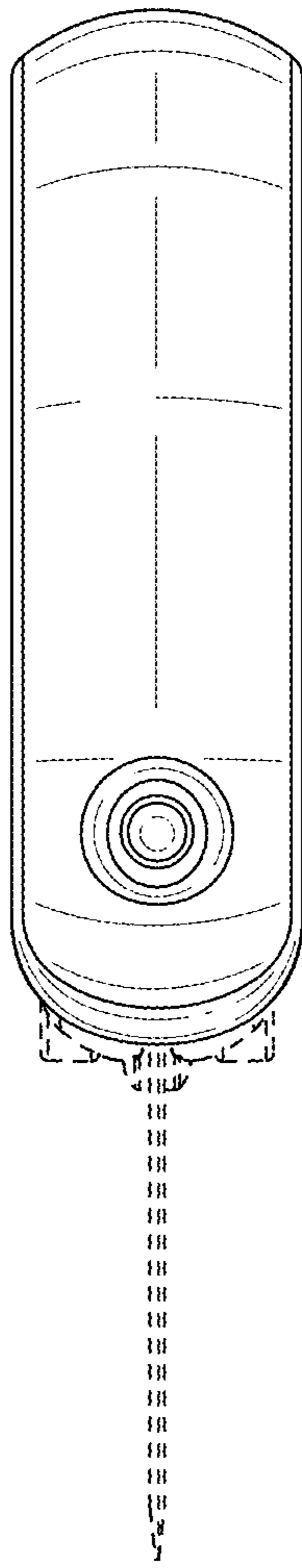


FIG. 11

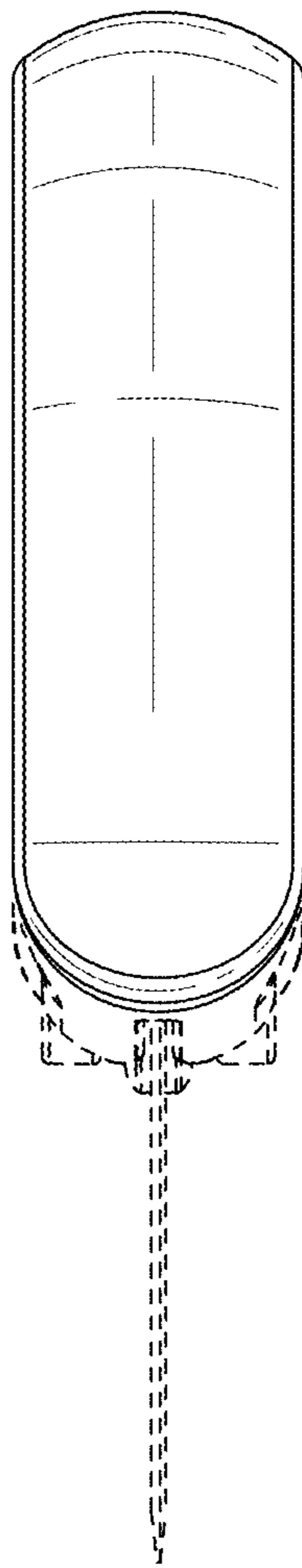


FIG. 12

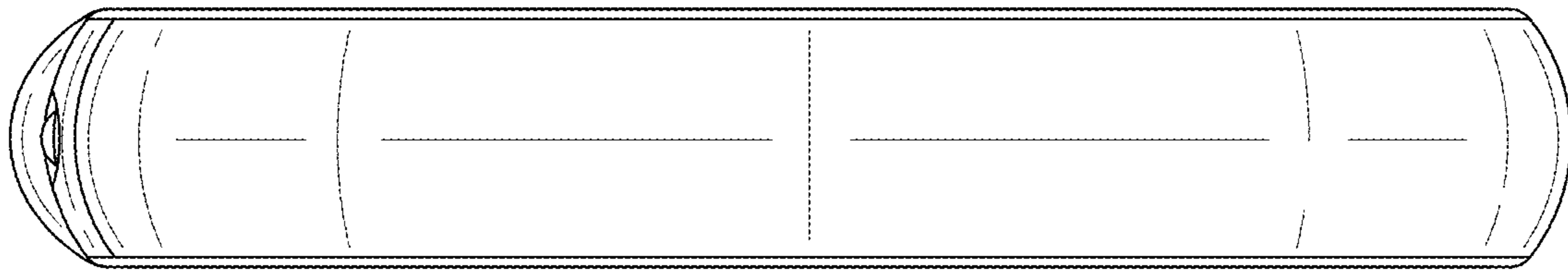


FIG. 13



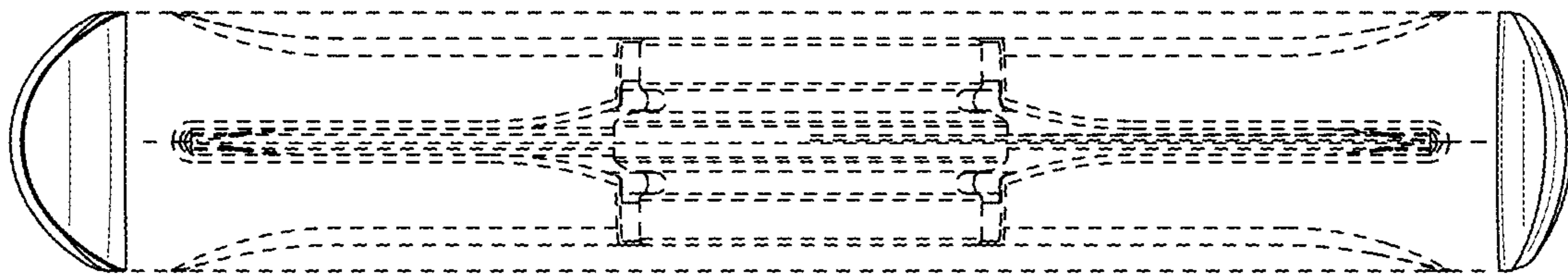


FIG. 14